

US00D499788S

(12) **United States Design Patent**
Wu

(10) **Patent No.:** **US D499,788 S**

(45) **Date of Patent:** **** Dec. 14, 2004**

(54) **LURE**

D354,541 S * 1/1995 Rogers D22/131

(76) **Inventor:** **Fong-Deng Wu**, 6F, No. 295-2, Sec. 1,
Huanho N. Rd., Taipei (TW)

* cited by examiner

Primary Examiner—Catherine R. Oliver

(**) **Term:** **14 Years**

(74) *Attorney, Agent, or Firm*—Jackson Walker LLP

(21) **Appl. No.:** **29/196,529**

(57) **CLAIM**

(22) **Filed:** **Dec. 30, 2003**

The ornamental design for a lure, as shown.

(51) **LOC (7) Cl.** **22-05**

DESCRIPTION

(52) **U.S. Cl.** **D22/133**

FIG. 1 is a perspective view of a lure, showing my new design;

(58) **Field of Search** D22/125–133;
43/42.35, 42.45, 42.41, 42.37, 42.48, 42.39,
44.8

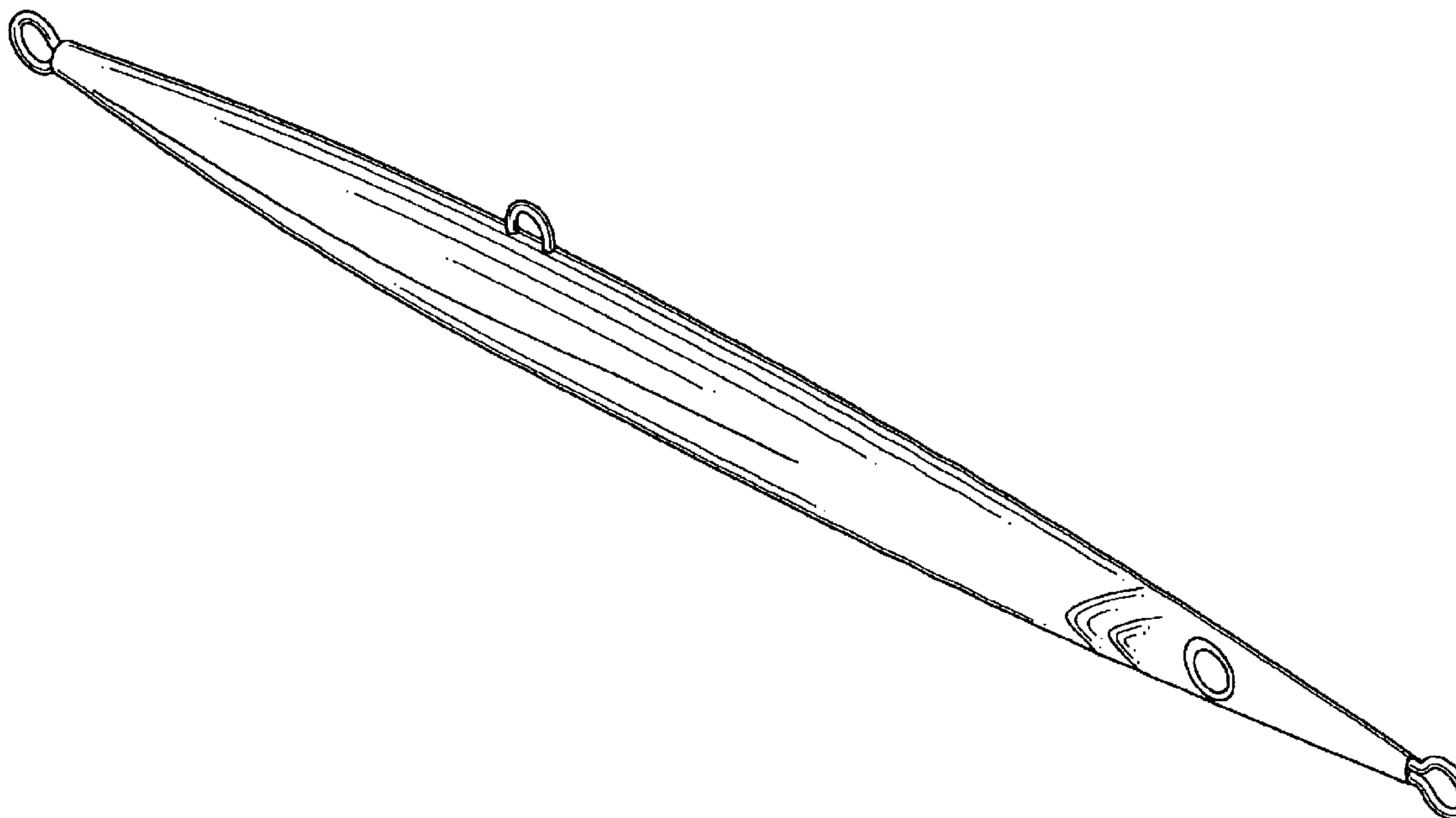
FIG. 2 is a front elevational view thereof;
FIG. 3 is a rear elevational view thereof;
FIG. 4 is a left elevational view thereof;
FIG. 5 is a right elevational view thereof;
FIG. 6 is a top plan view thereof; and,
FIG. 7 is a bottom plan view thereof.

(56) **References Cited**

U.S. PATENT DOCUMENTS

D304,066 S * 10/1989 Bates D22/129
D321,740 S * 11/1991 Hook D22/133

1 Claim, 4 Drawing Sheets



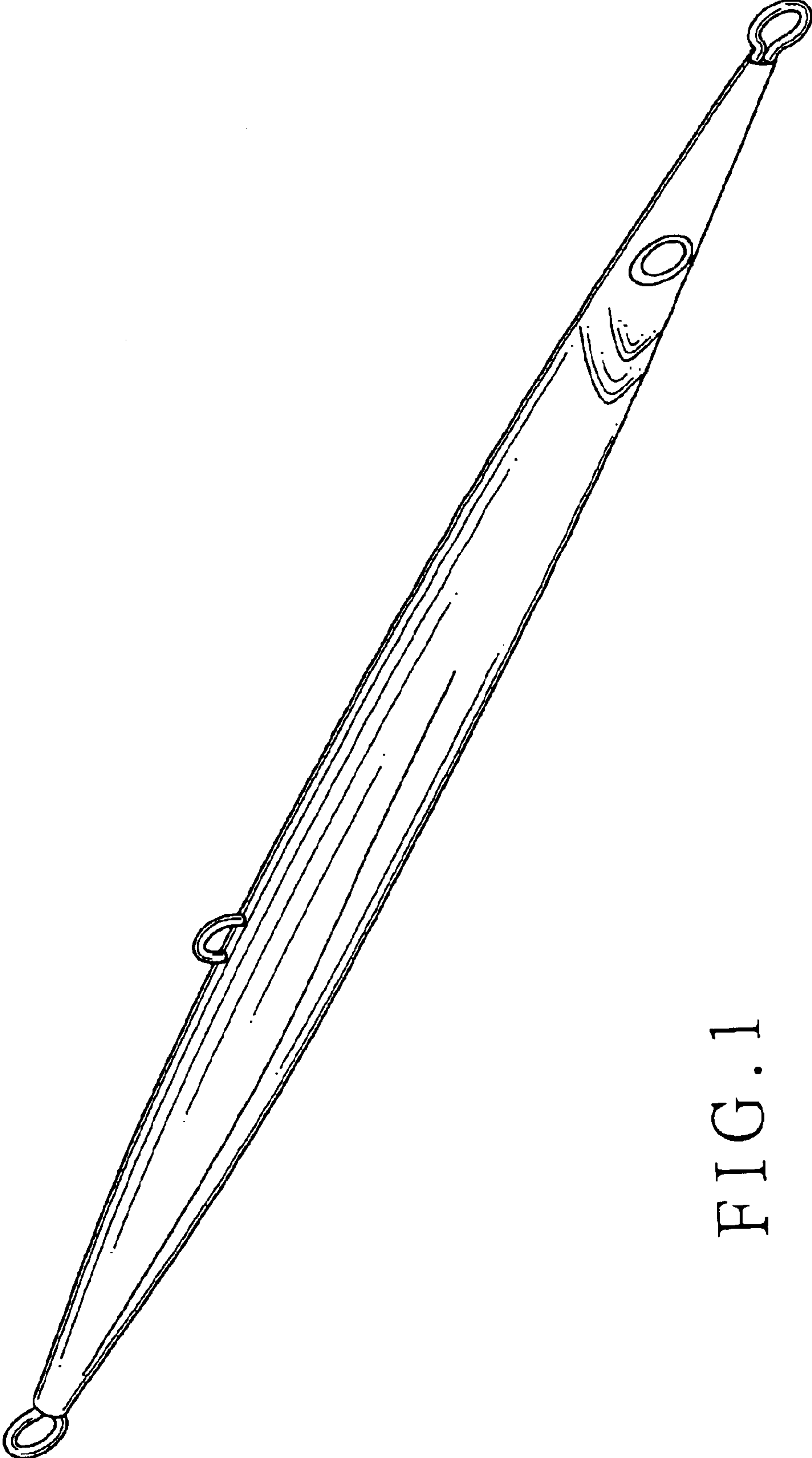


FIG. 1

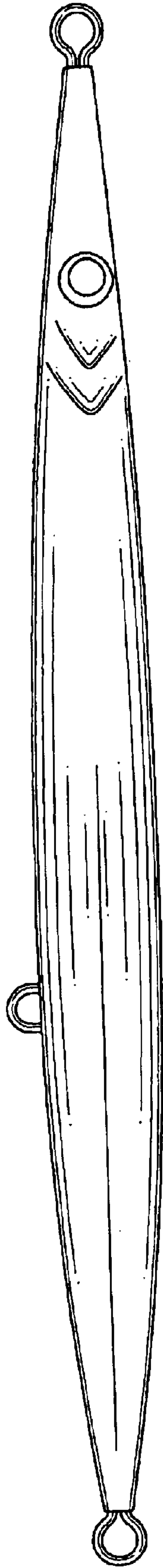


FIG. 2



FIG. 3

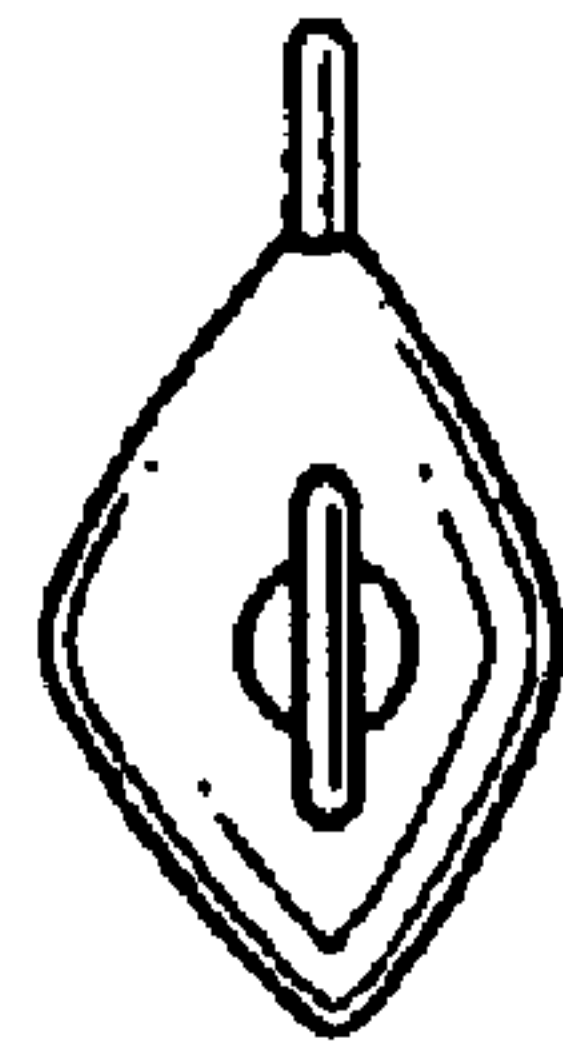


FIG. 4

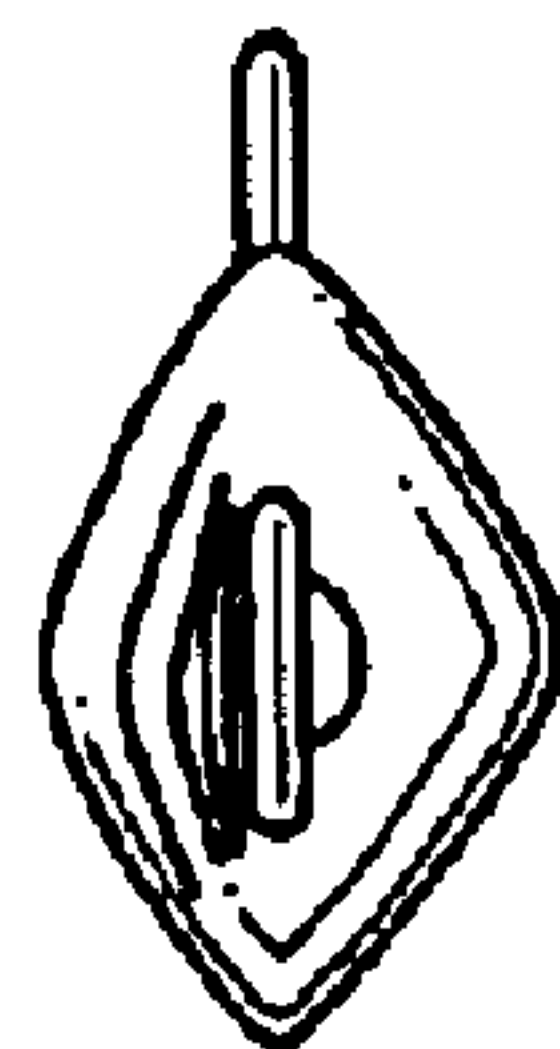


FIG. 5



FIG. 6



FIG. 7