

US00D499777S

(12) **United States Design Patent**  
**Yamamoto**

(10) **Patent No.:** **US D499,777 S**

(45) **Date of Patent:** **\*\* Dec. 14, 2004**

(54) **GOLF CLUB PUTTER**

(76) **Inventor:** **Jiro Yamamoto**, 2889 Plaza Del Amo,  
Torrance, CA (US) 90503

(\*\*) **Term:** **14 Years**

(21) **Appl. No.:** **29/191,895**

(22) **Filed:** **Oct. 16, 2003**

(30) **Foreign Application Priority Data**

Jun. 4, 2003 (JP) ..... 2003-270058  
Jun. 27, 2003 (JP) ..... 2003-001756

(51) **LOC (7) Cl.** ..... **21-02**

(52) **U.S. Cl.** ..... **D21/742**

(58) **Field of Search** ..... D21/736-746;  
473/324-331, 340-341, 251-256

(56) **References Cited**

**U.S. PATENT DOCUMENTS**

4,209,172 A 6/1980 Yamamoto  
D457,586 S \* 5/2002 Tang et al. .... D21/759  
D461,515 S \* 8/2002 Tang et al. .... D21/742  
D461,861 S \* 8/2002 Tang et al. .... D21/742  
D463,002 S \* 9/2002 Tang et al. .... D21/759

D467,985 S \* 12/2002 Breier et al. .... D21/742  
D470,904 S \* 2/2003 Tang et al. .... D21/742  
D471,245 S \* 3/2003 Tang et al. .... D21/742  
D471,940 S \* 3/2003 Tang et al. .... D21/742  
D485,321 S \* 1/2004 Breier et al. .... D21/738

\* cited by examiner

*Primary Examiner*—Mitchell Siegel

(74) *Attorney, Agent, or Firm*—Don Finkelstein

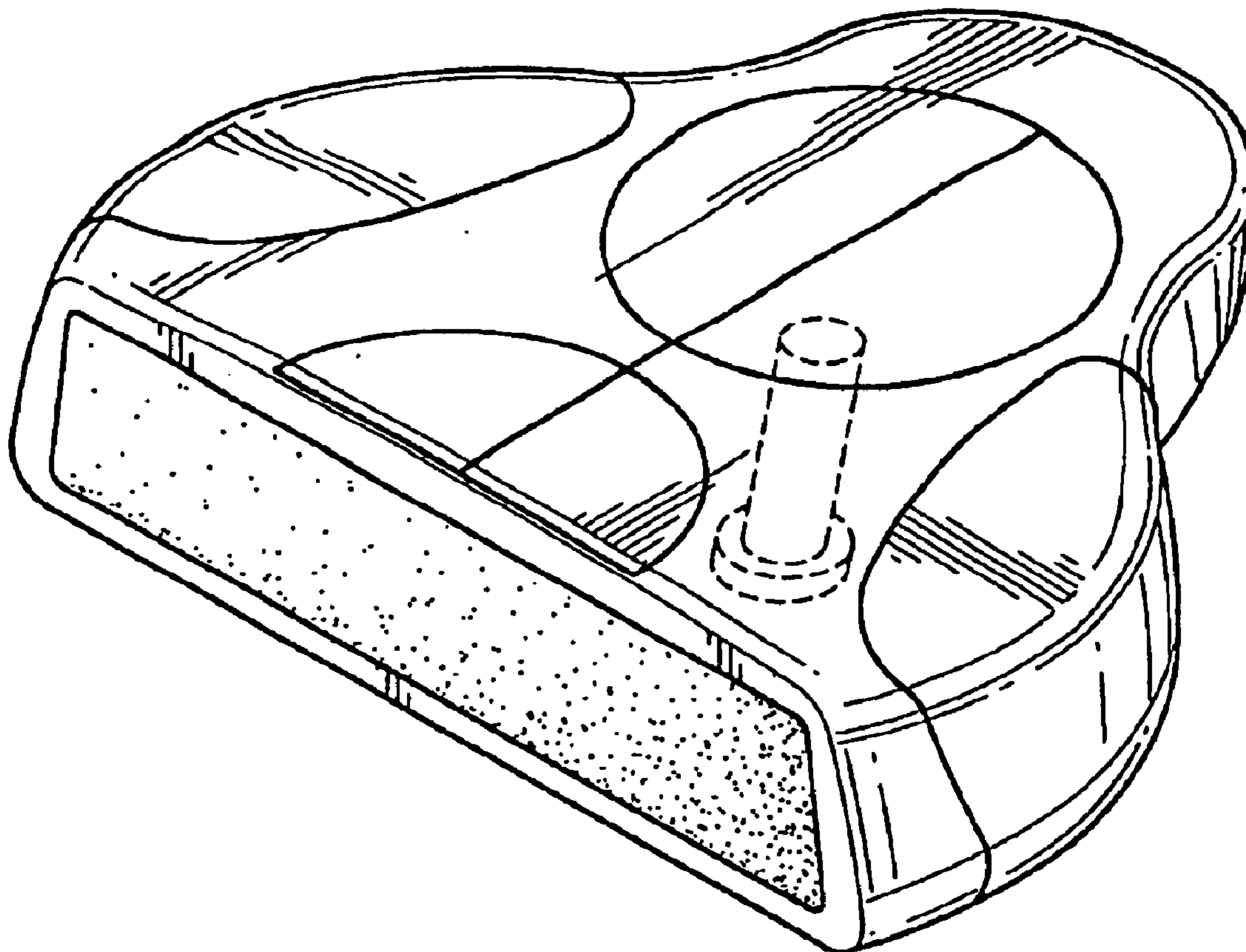
(57) **CLAIM**

The ornamental design for a golf club putter, as shown and described.

**DESCRIPTION**

FIG. 1 is front perspective view thereof;  
FIG. 2 is a top plan view thereof;  
FIG. 3 is a bottom plan view thereof;  
FIG. 4 is a front elevational view thereof;  
FIG. 5 is a rear elevational view thereof; and,  
FIG. 6 is a right side elevational view thereof, the left side elevational view being identical thereto.  
The dashed line showing of the fragmentary portion of the golf club shaft is for reference purposes only.

**1 Claim, 2 Drawing Sheets**



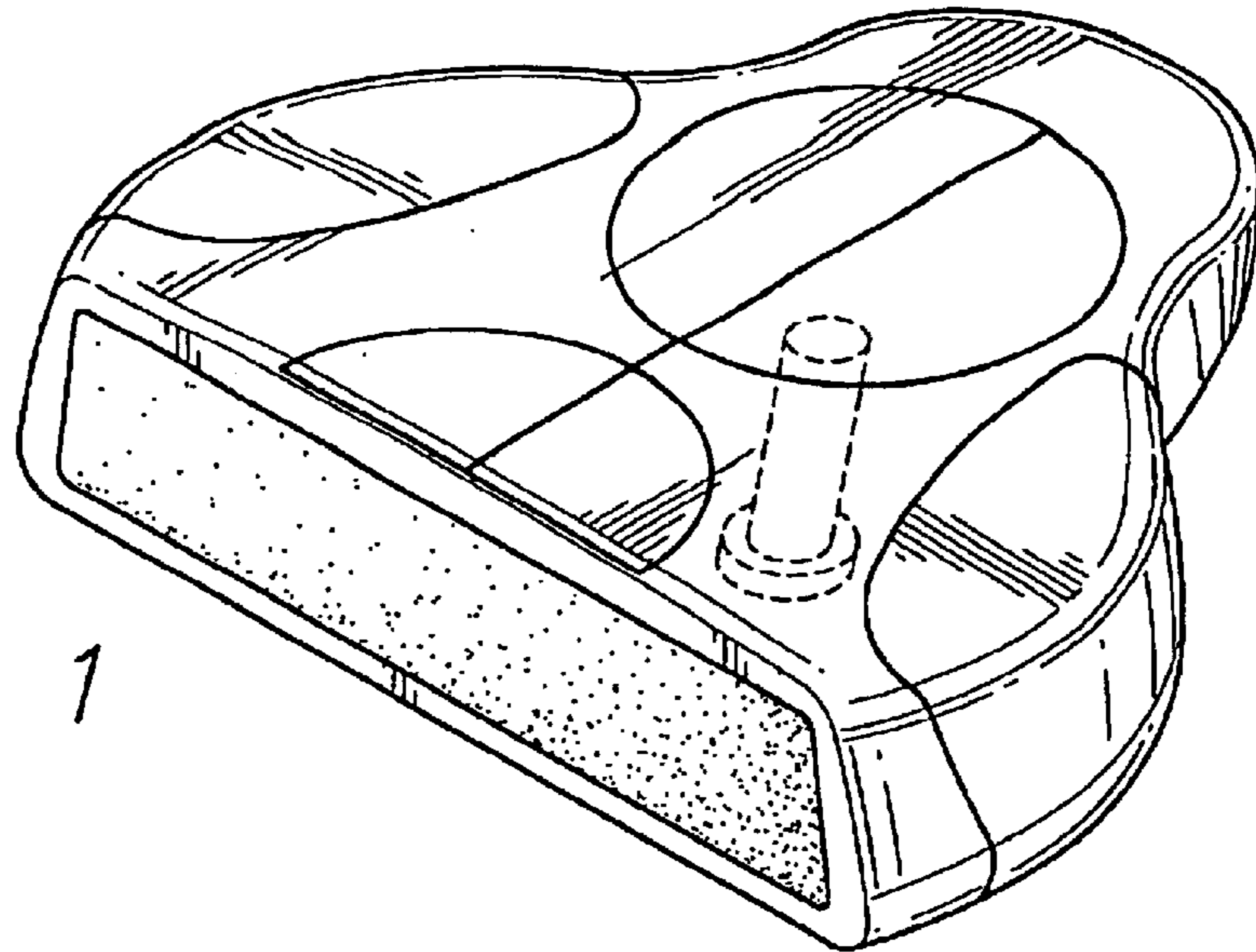


FIG. 1

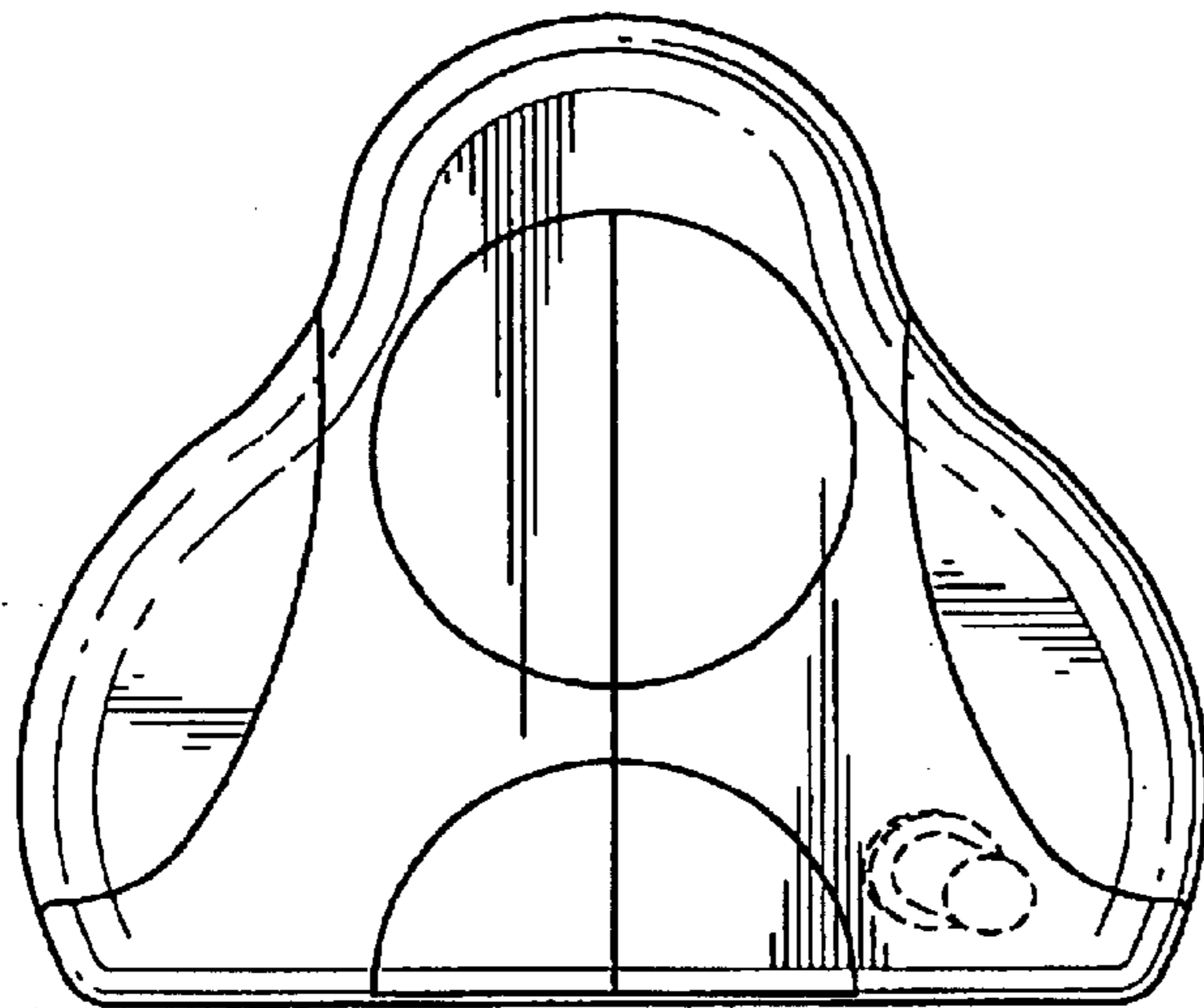


FIG. 2

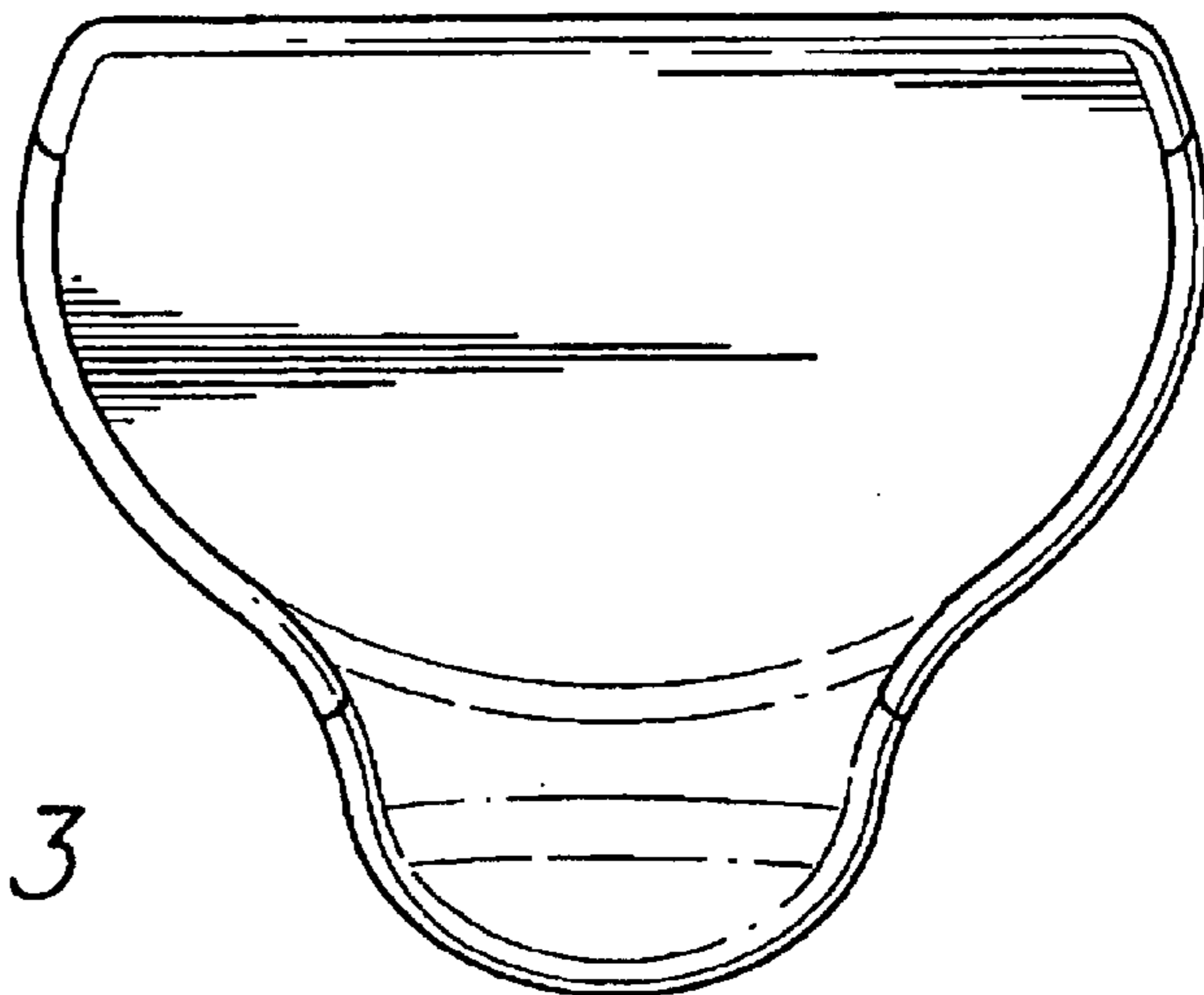


FIG. 3

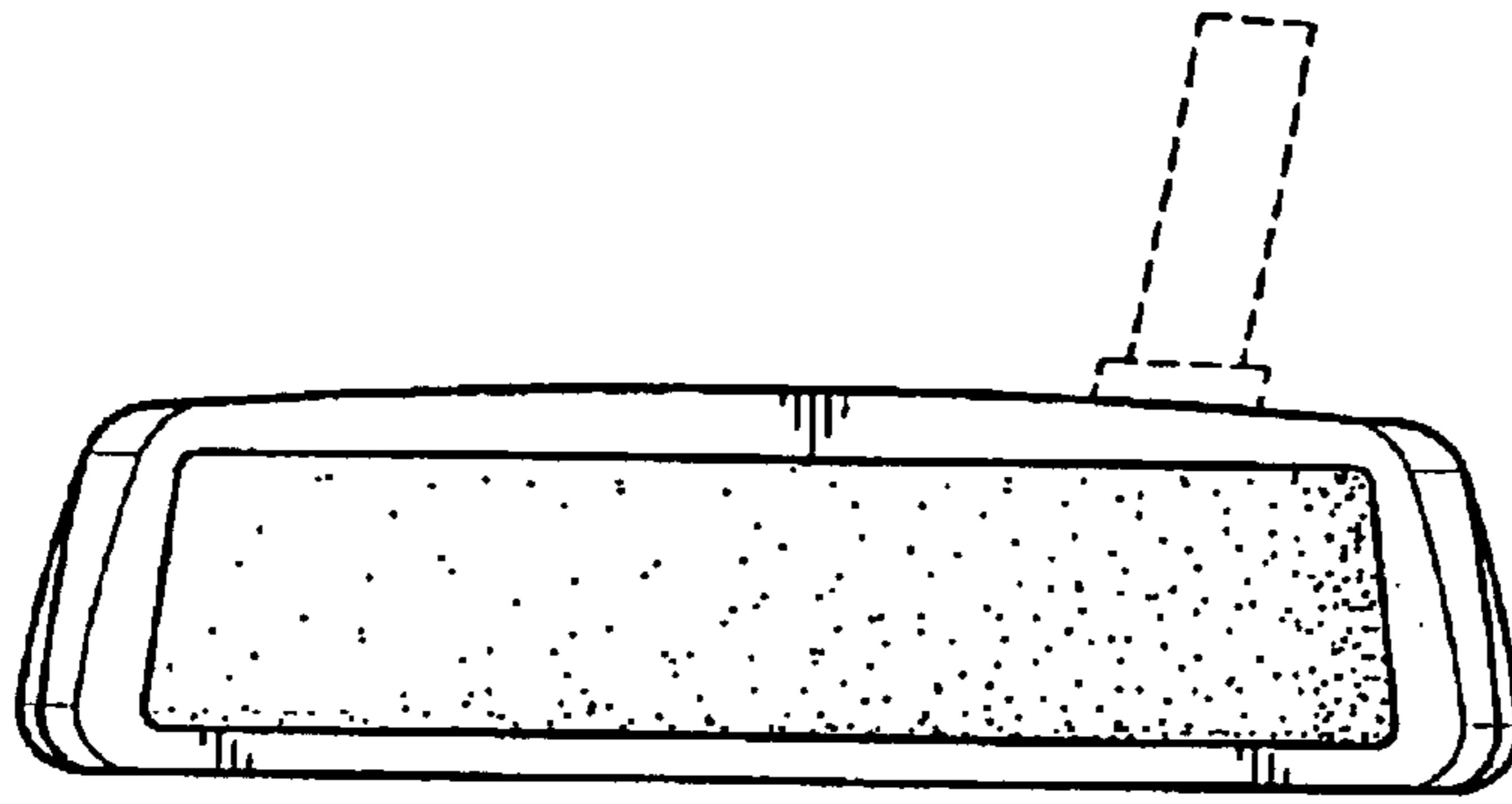


FIG. 4

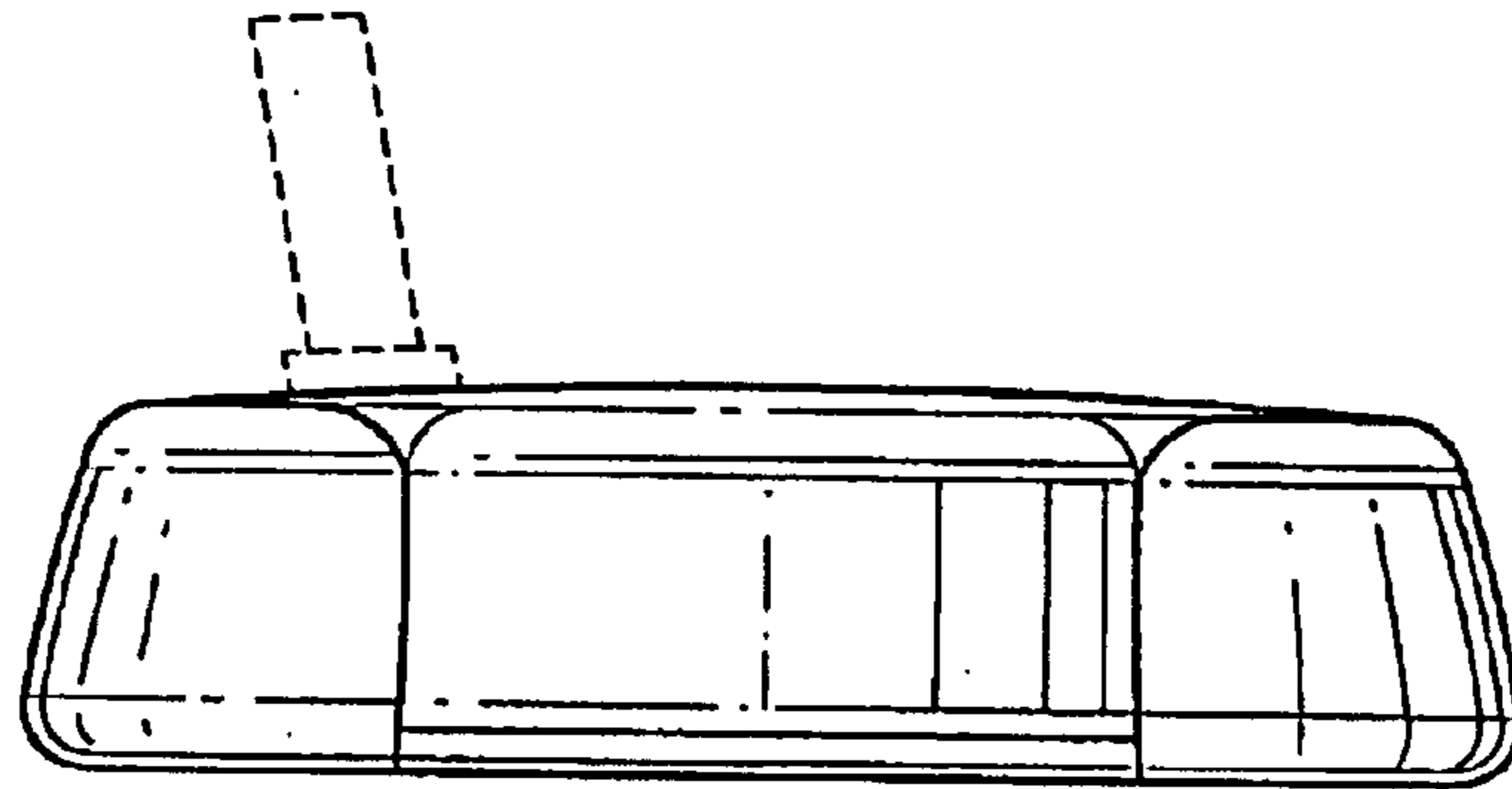


FIG. 5

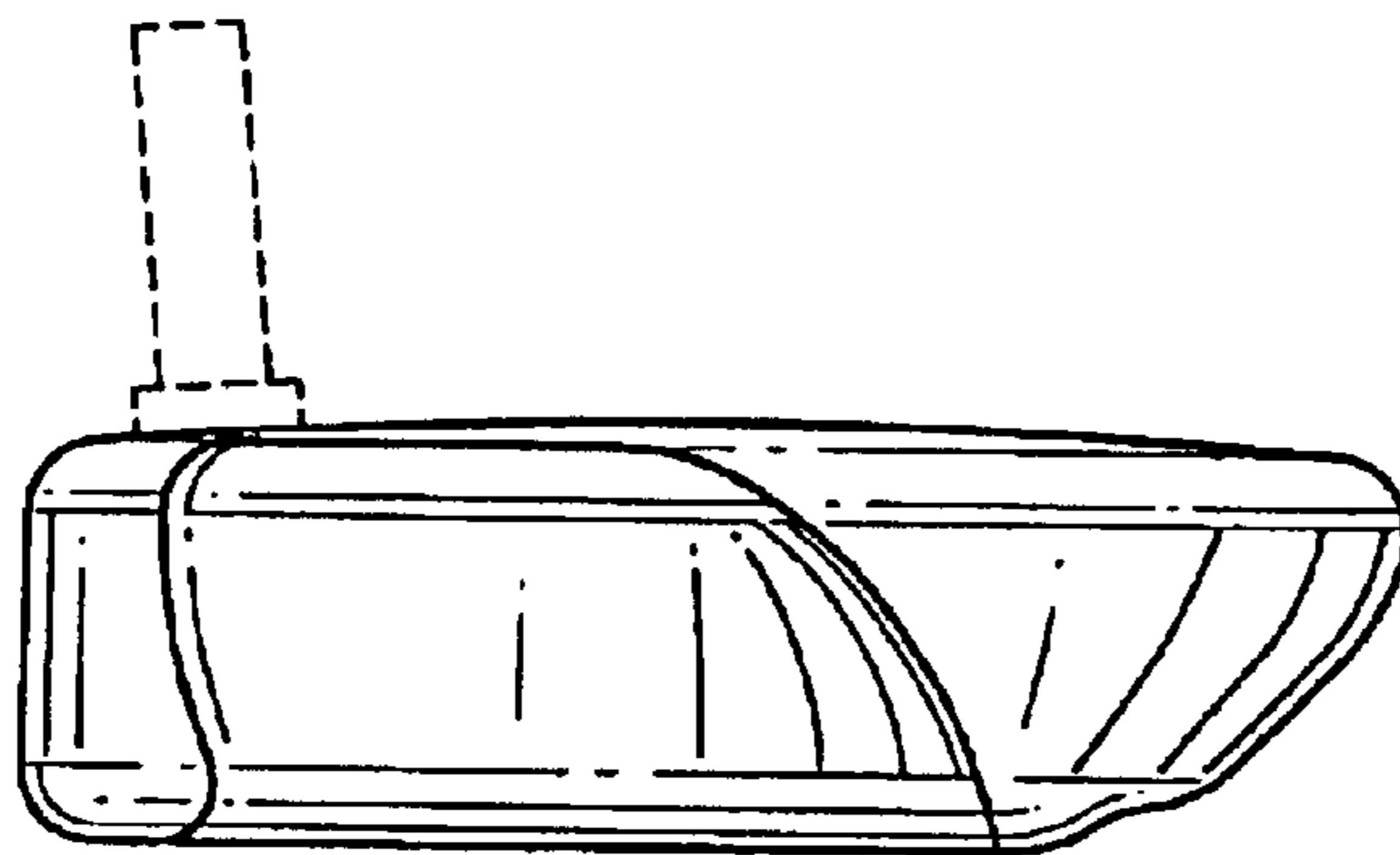


FIG. 6