

US00D499775S

(12) **United States Design Patent**  
**Potak et al.**

(10) **Patent No.: US D499,775 S**  
(45) **Date of Patent: \*\* Dec. 14, 2004**

(54) **ELASTIC EXERCISE DEVICE**

(76) Inventors: **Sándor Potak**, Odenwaldstrasse 16,  
D-63743 Aschaffenburg (DE); **Elke**  
**Petra**, Lärchenstrasse 28, D-85646  
Anzing (DE)

(\*\*) Term: **14 Years**

(21) Appl. No.: **29/180,794**

(22) Filed: **Apr. 30, 2003**

(30) **Foreign Application Priority Data**

Jan. 20, 2003 (EP) ..... 4 03 00 543

(51) **LOC (7) Cl. .... 21-02**

(52) **U.S. Cl. .... D21/692**

(58) **Field of Search** ..... D21/662, 684,  
D21/692; 482/121, 122, 123, 124, 126

(56) **References Cited**

**U.S. PATENT DOCUMENTS**

1,832,633 A \* 11/1931 Hendrickson, Jr. .... 482/126  
D203,836 S \* 2/1966 Hass ..... D21/692

D214,569 S \* 7/1969 Kuszniir ..... D21/692  
D328,320 S \* 7/1992 Hliang ..... D21/692  
5,624,360 A \* 4/1997 Wilkins ..... 482/129  
5,662,563 A \* 9/1997 Maerzke ..... 482/126  
D385,931 S \* 11/1997 Kuszniir ..... D21/692  
D441,413 S \* 5/2001 Cataldi, Jr. et al. .... D21/692

\* cited by examiner

*Primary Examiner*—Philip S. Hyder

(74) *Attorney, Agent, or Firm*—Ostrolenk, Faber, Gerb &  
Soffen, LLP

(57) **CLAIM**

We claim the ornamental design for a elastic exercise device,  
as shown and described.

**DESCRIPTION**

FIG. 1 is a front view of the elastic exercise device of the  
present invention in an at-rest state;  
FIG. 2 is a front view thereof, in a stretched state; and,  
FIG. 3 is a partial front view thereof in a further stretched  
state.

**1 Claim, 1 Drawing Sheet**

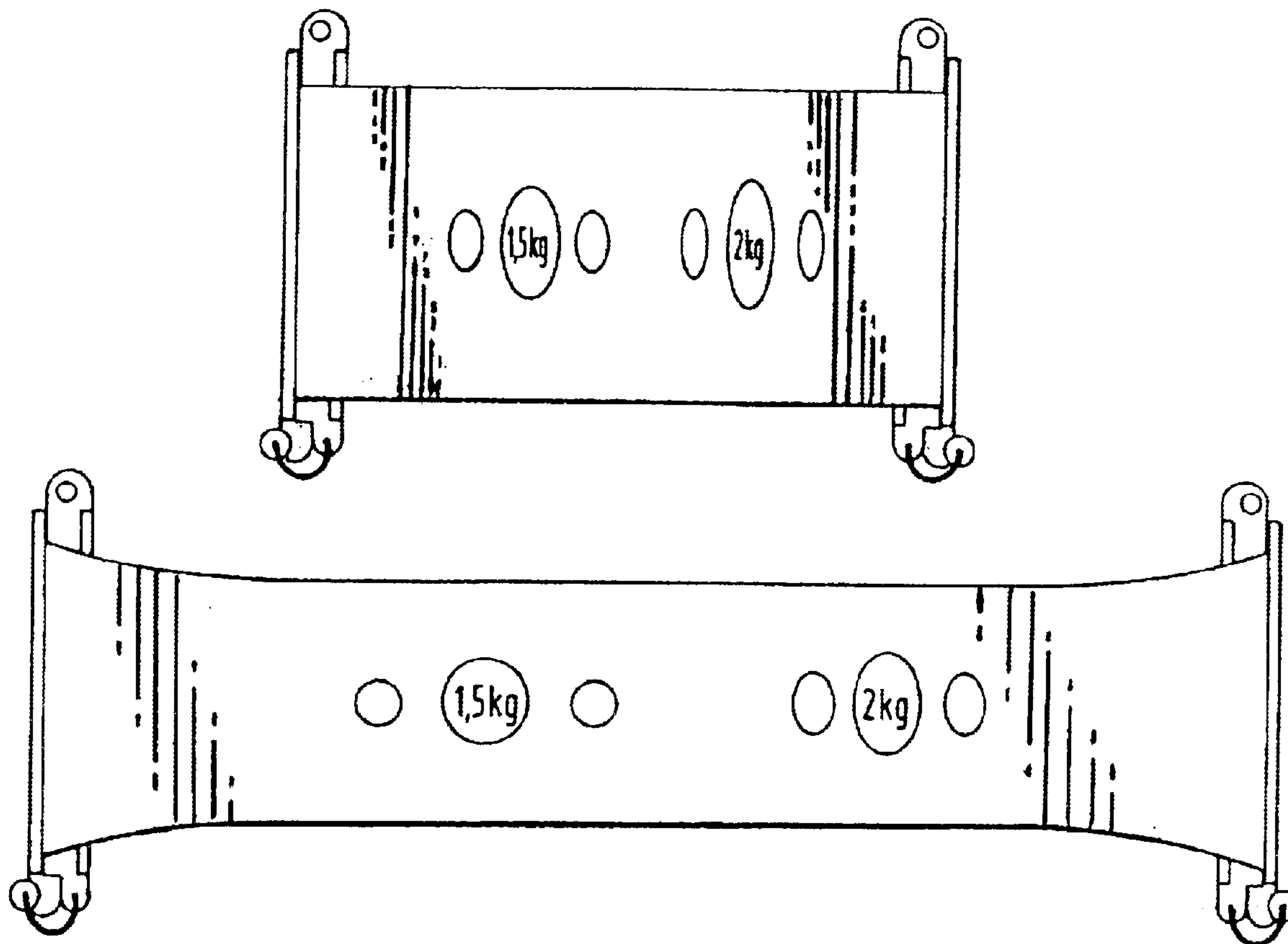


Fig. 1

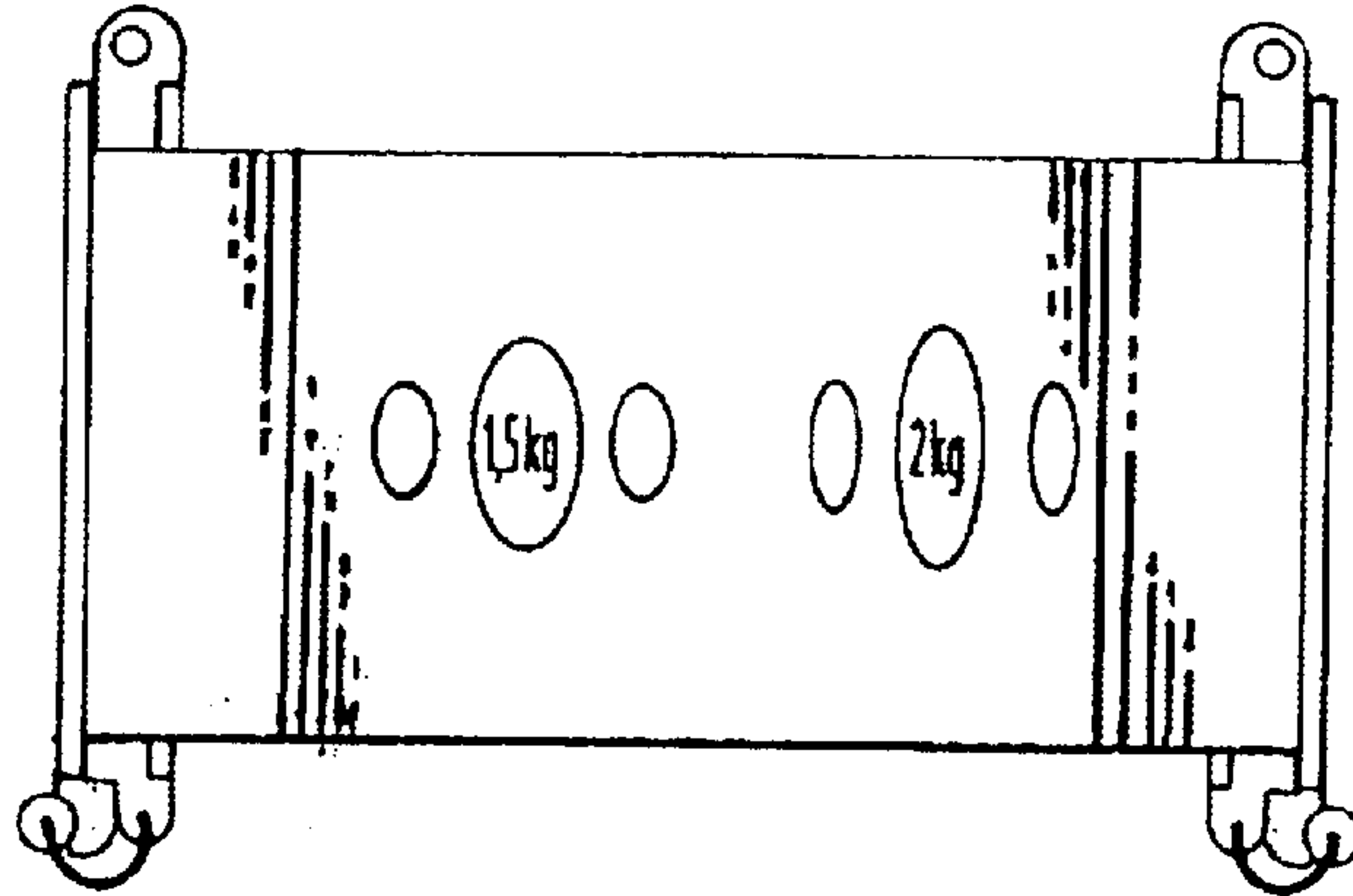


Fig. 2

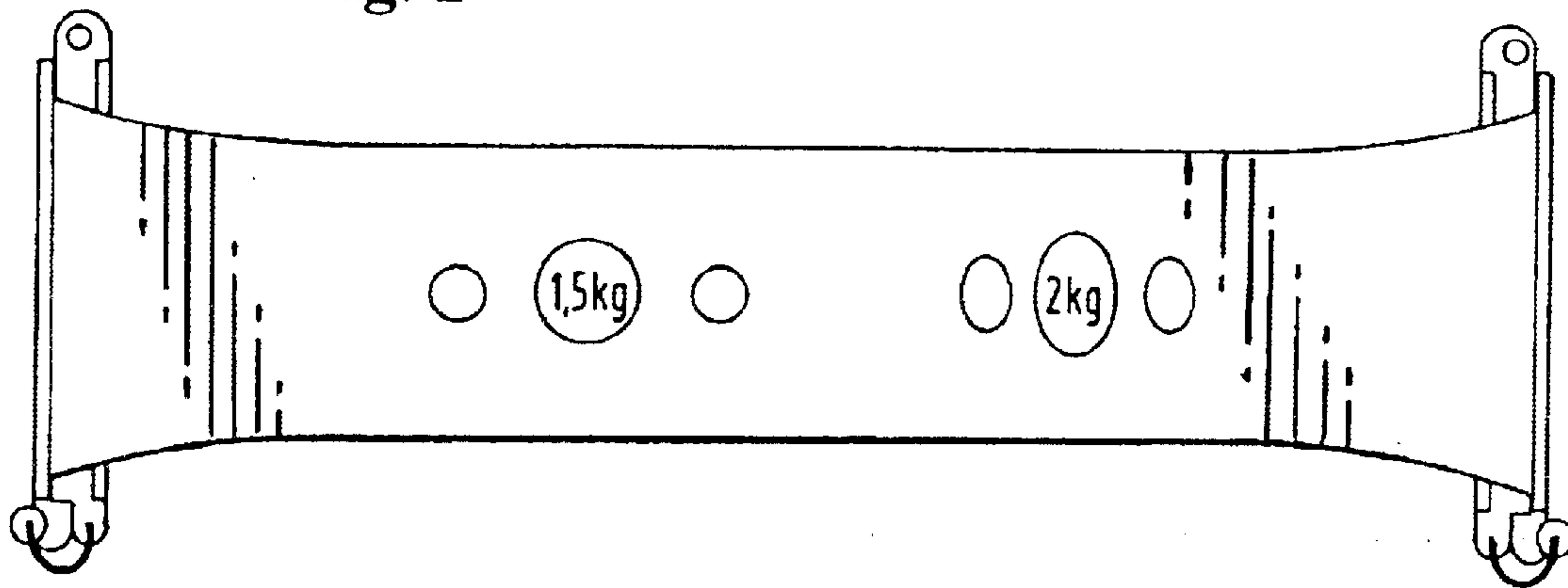


Fig. 3

