



US00D499774S

(12) **United States Design Patent**
Dong

(10) **Patent No.:** **US D499,774 S**
(45) **Date of Patent:** **** Dec. 14, 2004**

(54) **FISH TOY**

6,439,949 B1 * 8/2002 Lucas et al. 446/158

(75) Inventor: **Tony Dong**, Taipei (TW)

OTHER PUBLICATIONS

(73) Assignee: **Advocated Accompaniment Technology Co., Ltd**, Taipei (TW)

Go Play Toys Catalog, p. 5, "Water Family" Fish, top left.*

(**) Term: **14 Years**

* cited by examiner

(21) Appl. No.: **29/188,816**

Primary Examiner—Sandra L. Morris

(22) Filed: **Aug. 26, 2003**

(74) *Attorney, Agent, or Firm*—Bacon & Thomas PLLC

(51) **LOC (7) Cl.** **21-01**

(52) **U.S. Cl.** **D21/599; D21/585**

(58) **Field of Search** D11/158, 162;
D21/576, 578, 585, 587-588, 597-603;
D30/160; 446/72, 156-158, 369

(57) **CLAIM**

I claim the ornamental design for a fish toy, as shown and described.

(56) **References Cited**

DESCRIPTION

U.S. PATENT DOCUMENTS

- D170,594 S * 10/1953 Leonard et al. D21/599
- 5,194,029 A * 3/1993 Kinoshita 446/156
- 5,197,913 A * 3/1993 Suzuki 446/156
- D409,715 S * 5/1999 Cruz et al. D21/599
- D456,464 S * 4/2002 Nagasawa D21/599

FIG. 1 is a perspective view of a fish toy showing my new design.

FIG. 2 is a front plan view thereof;

FIG. 3 is a rear plan view thereof;

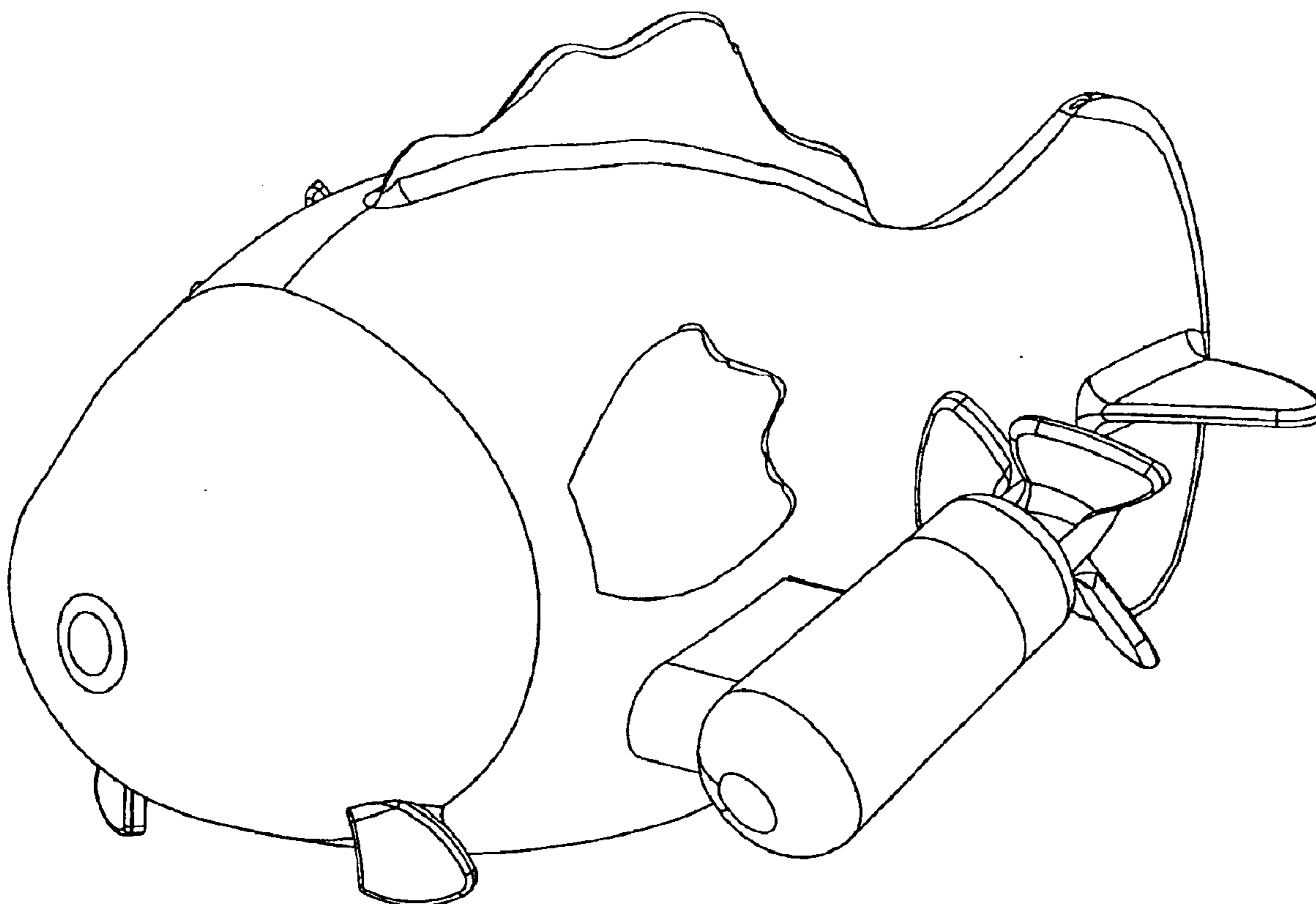
FIG. 4 is a right side view thereof;

FIG. 5 is a left side view thereof;

FIG. 6 is a top plan view thereof; and,

FIG. 7 is a bottom plan view thereof.

1 Claim, 7 Drawing Sheets



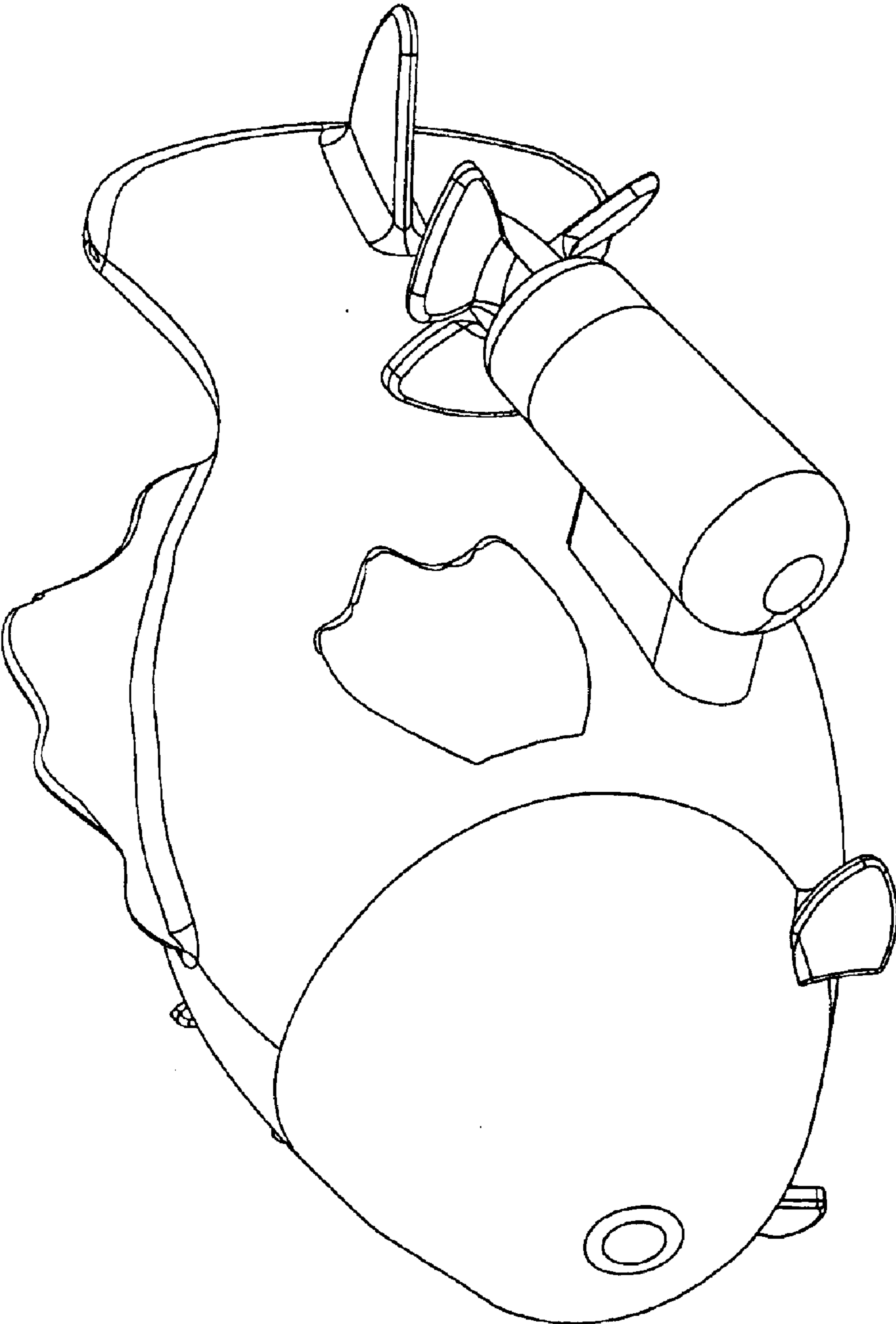


FIG. 1

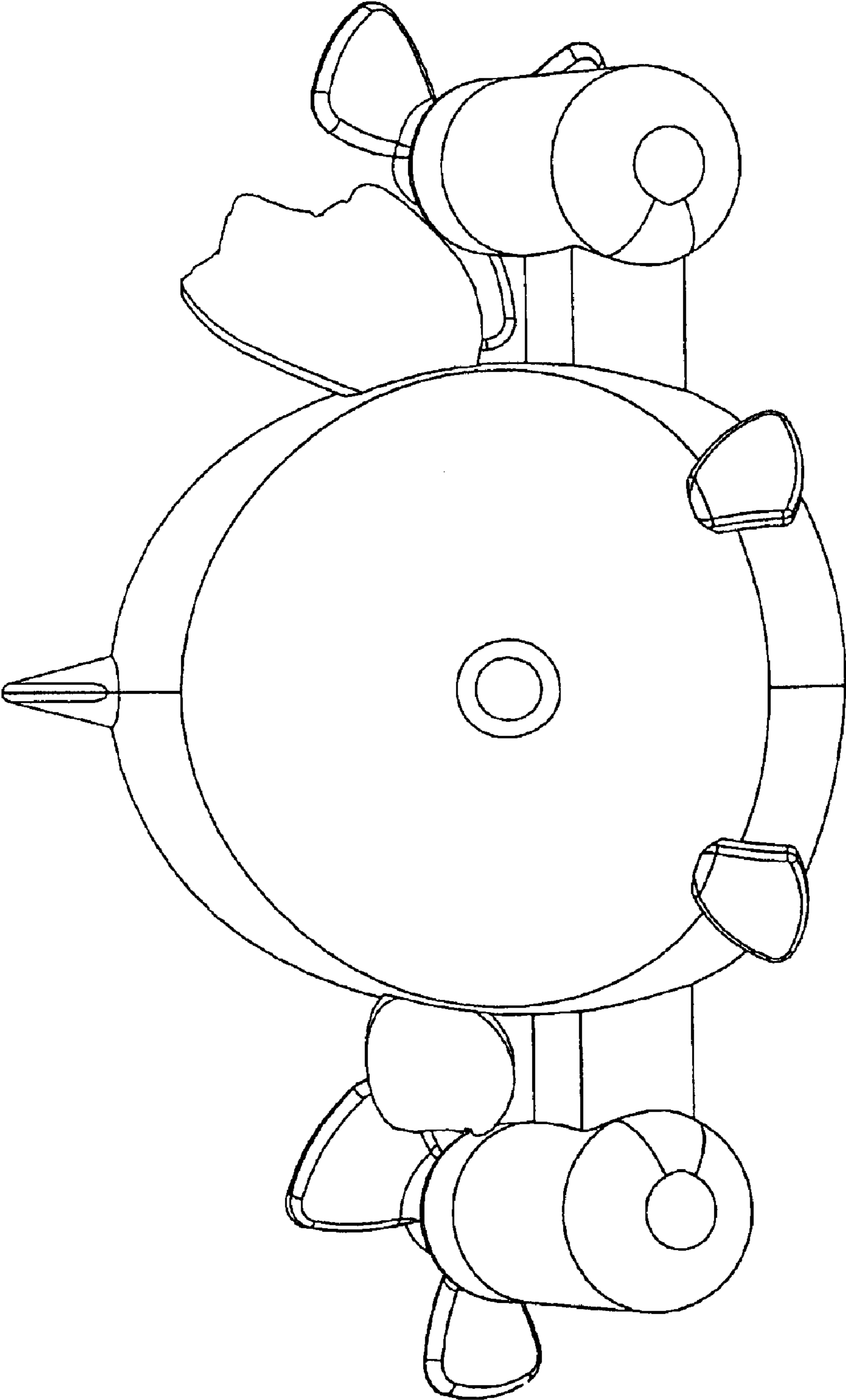


FIG. 2

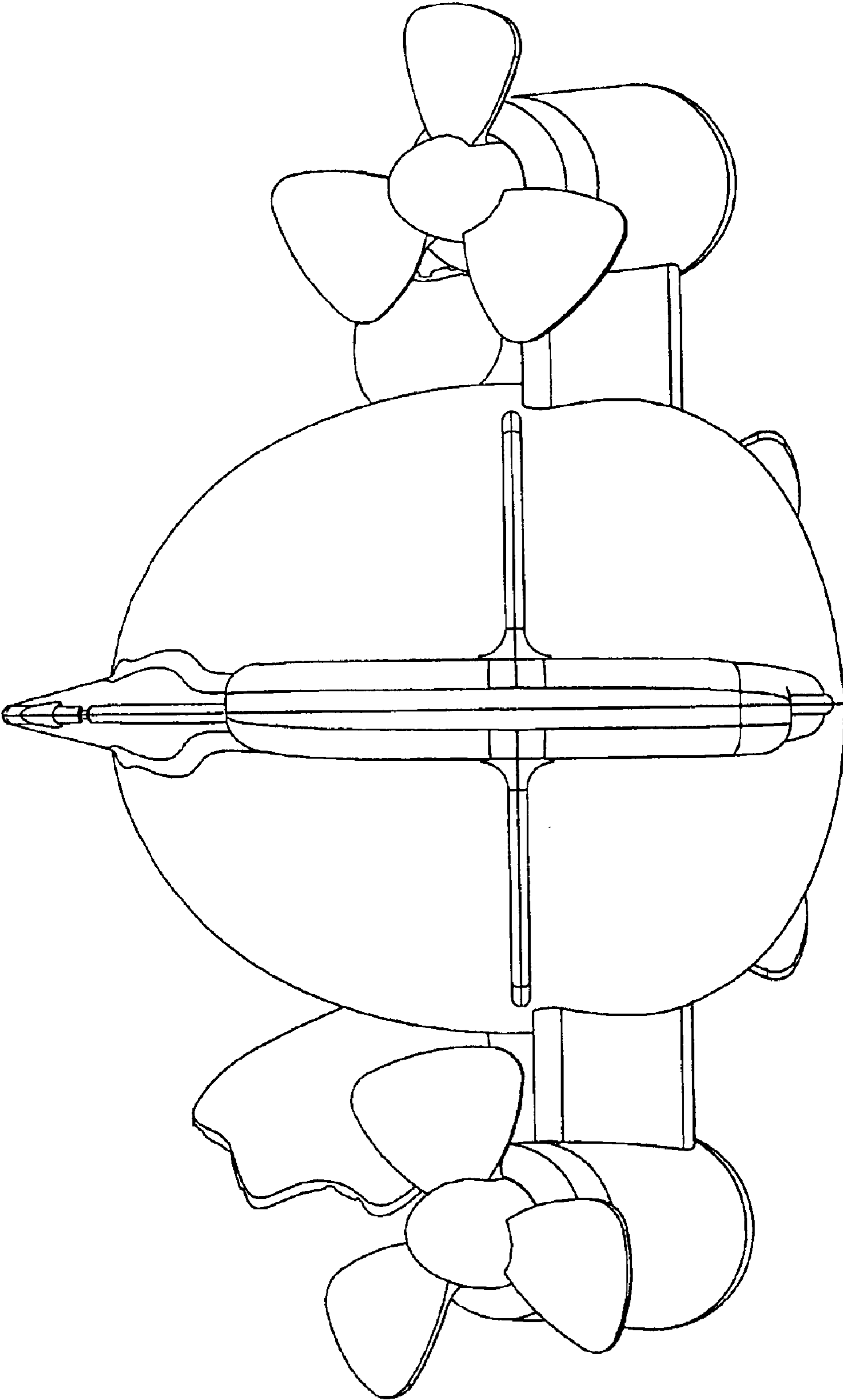


FIG. 3

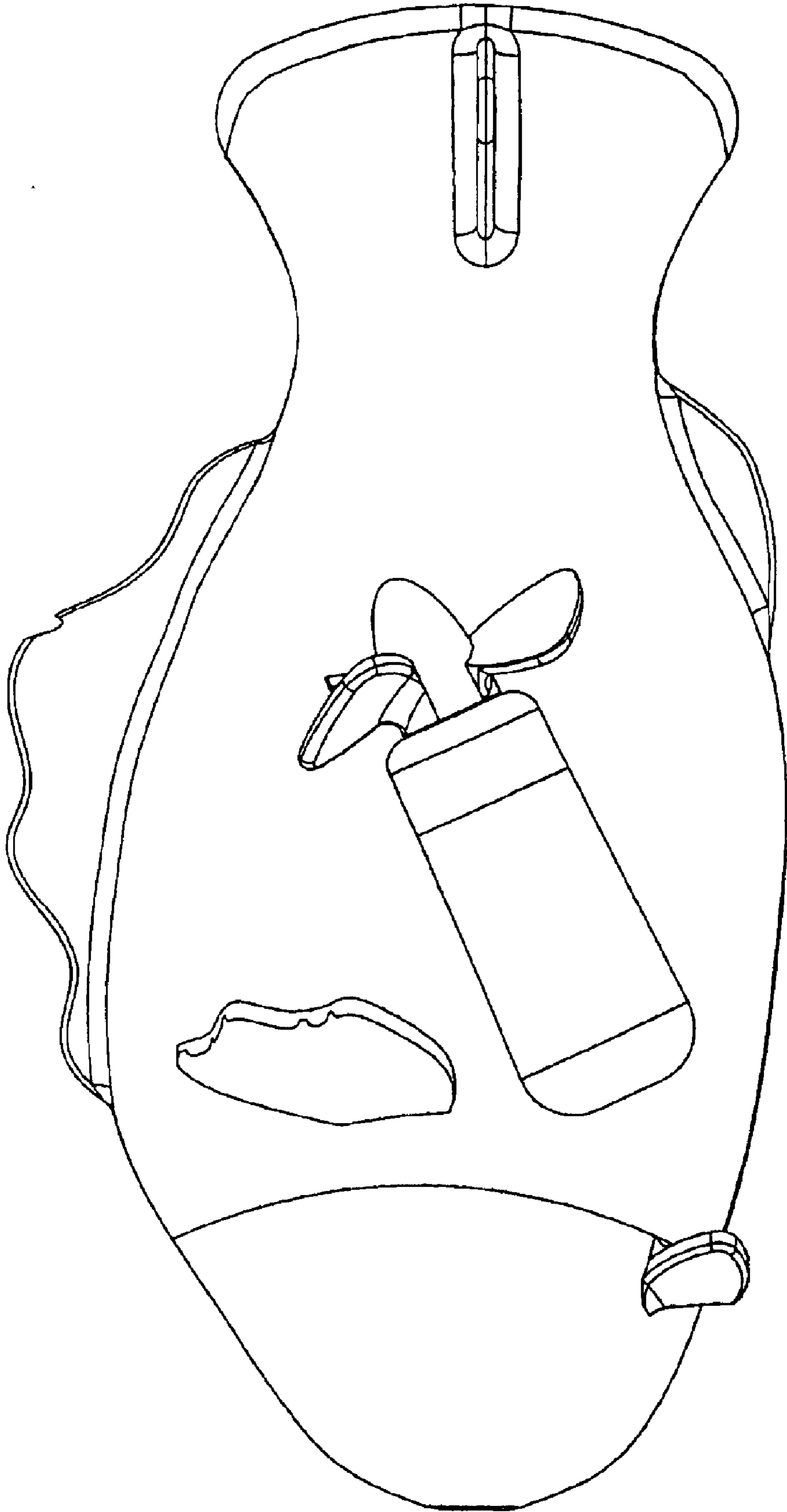


FIG. 4

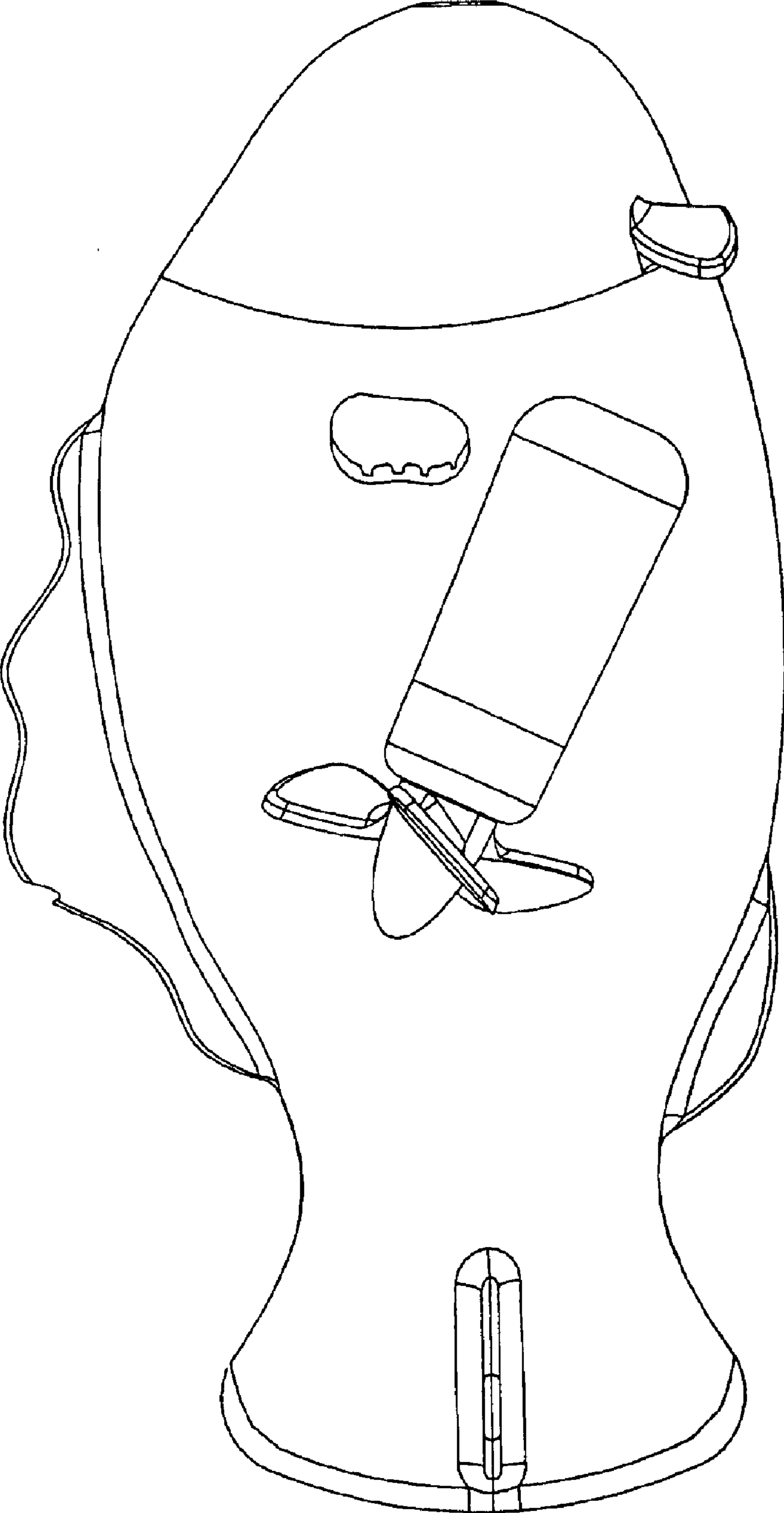


FIG. 5

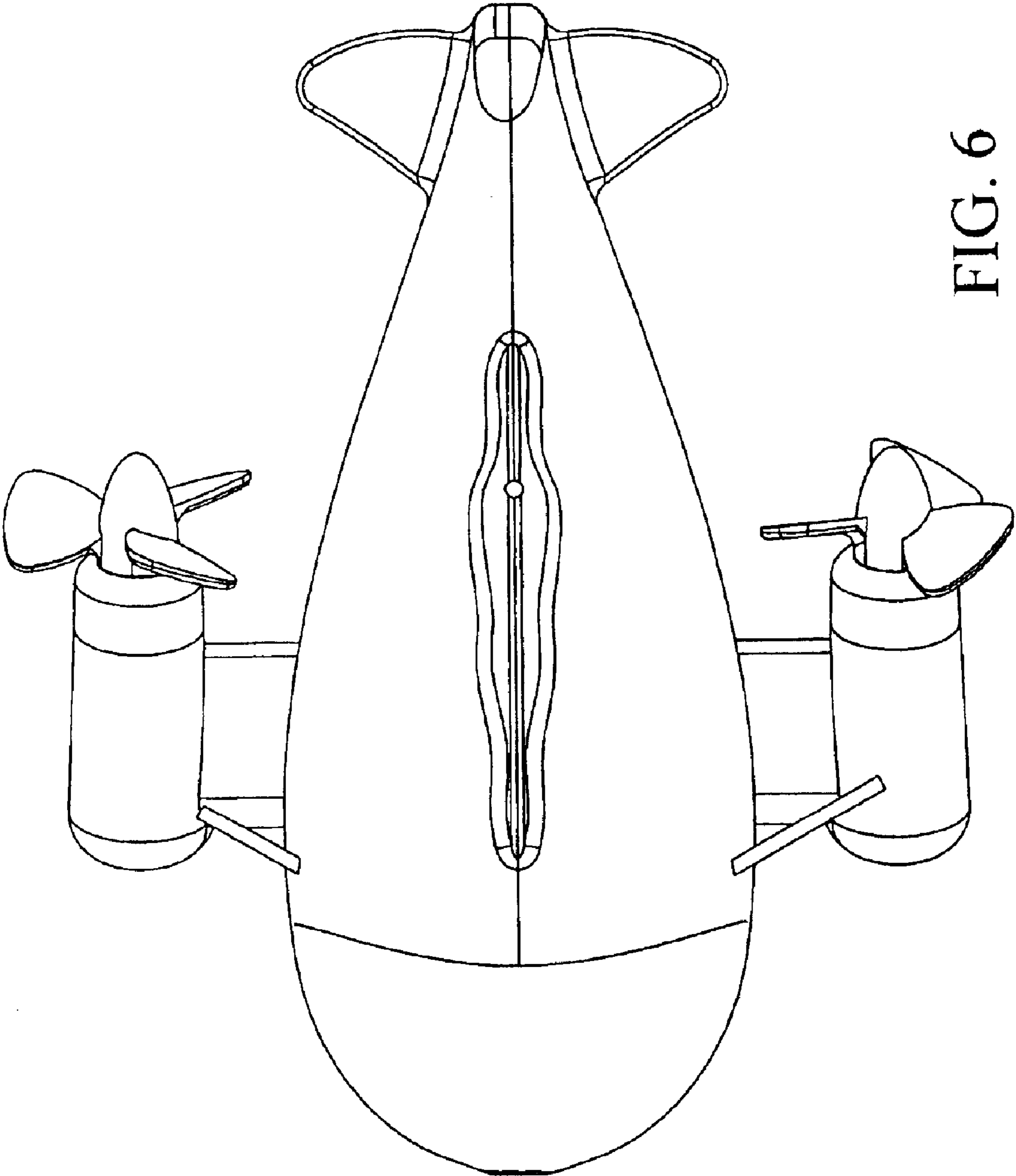


FIG. 6

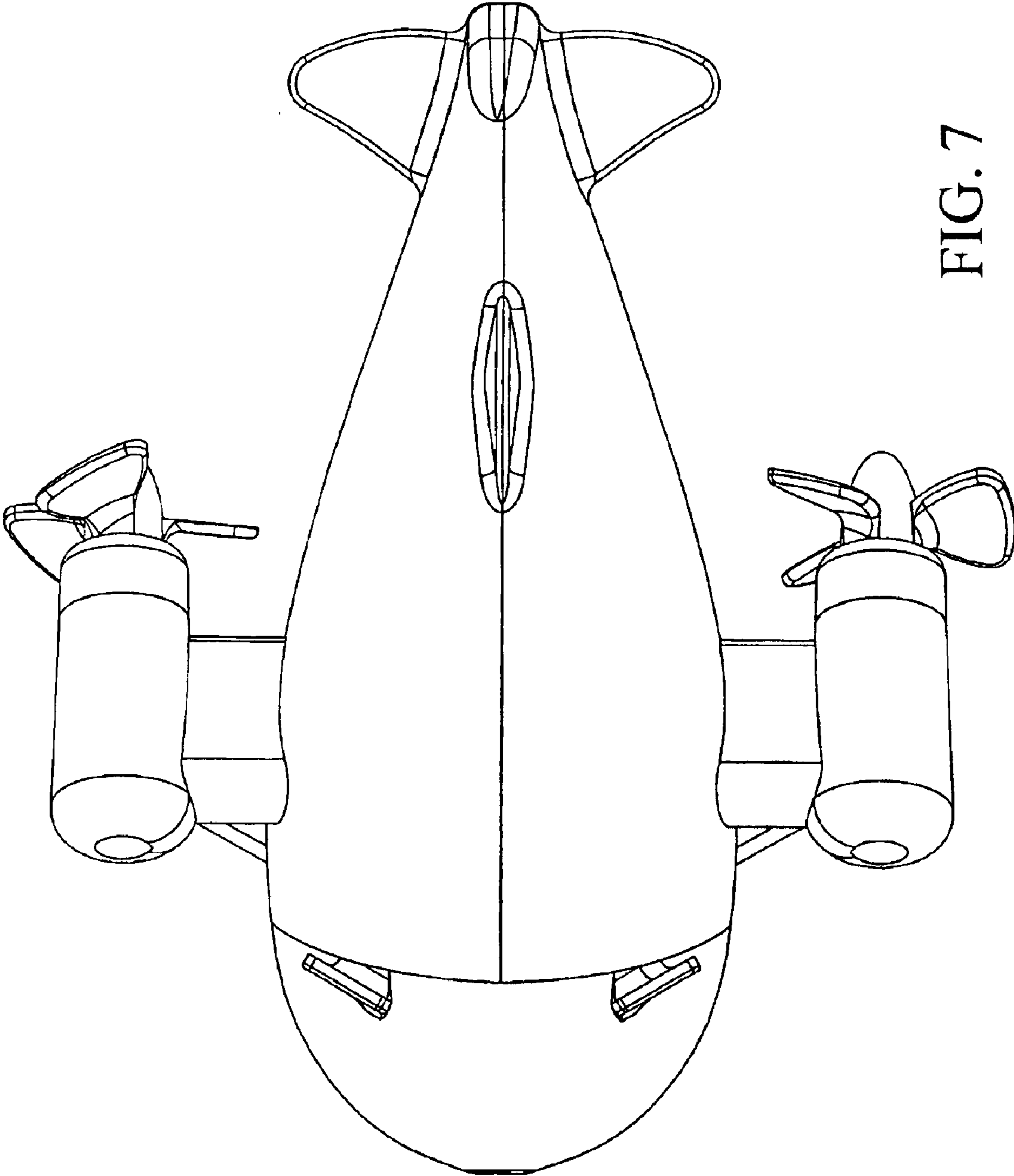


FIG. 7