

US00D499769S

(12) **United States Design Patent** (10) **Patent No.:** **US D499,769 S**
Martin (45) **Date of Patent:** **** Dec. 14, 2004**

(54) **TRANSPARENT DISPLAY HOLDER FOR SUSPENDED CEILING**

(76) Inventor: **Daniel R. Martin**, 20448 Collier Dr., Strongsville, OH (US) 44136

(**) Term: **14 Years**

(21) Appl. No.: **29/190,592**

(22) Filed: **Sep. 23, 2003**

(51) **LOC (7) Cl.** **20-02**

(52) **U.S. Cl.** **D20/42**

(58) **Field of Search** D20/10, 27, 40, D20/42, 99; D10/109; 40/541-4, 553, 562, 570, 584, 606-612

(56) **References Cited**

U.S. PATENT DOCUMENTS

D99,822 S	*	5/1936	Newhard	D20/10
D119,041 S	*	2/1940	MacDonald et al.	D20/42
D172,339 S	*	6/1954	Cummins	D20/42
3,201,579 A		8/1965	Harper	240/2
3,460,299 A		8/1969	Wilson	52/144
D233,184 S	*	10/1974	Alfonso	D20/99
3,974,584 A		8/1976	Shorette	40/130
4,075,775 A		2/1978	Shorette	40/553
4,229,913 A		10/1980	Corrigan	52/38
4,290,218 A		9/1981	Drucek, Jr.	40/553
D265,765 S	*	8/1982	Hawkins	D26/85
D276,446 S	*	11/1984	Whitford	D20/42
4,528,764 A		7/1985	Cobb	40/553

(List continued on next page.)

OTHER PUBLICATIONS

Grid Art, Inc., Oklahoma City, OK 73132 Photo of Flat Ceiling Display, Jul. 9, 2003.

Primary Examiner—Robert M. Spear
(74) *Attorney, Agent, or Firm*—David A. Burge

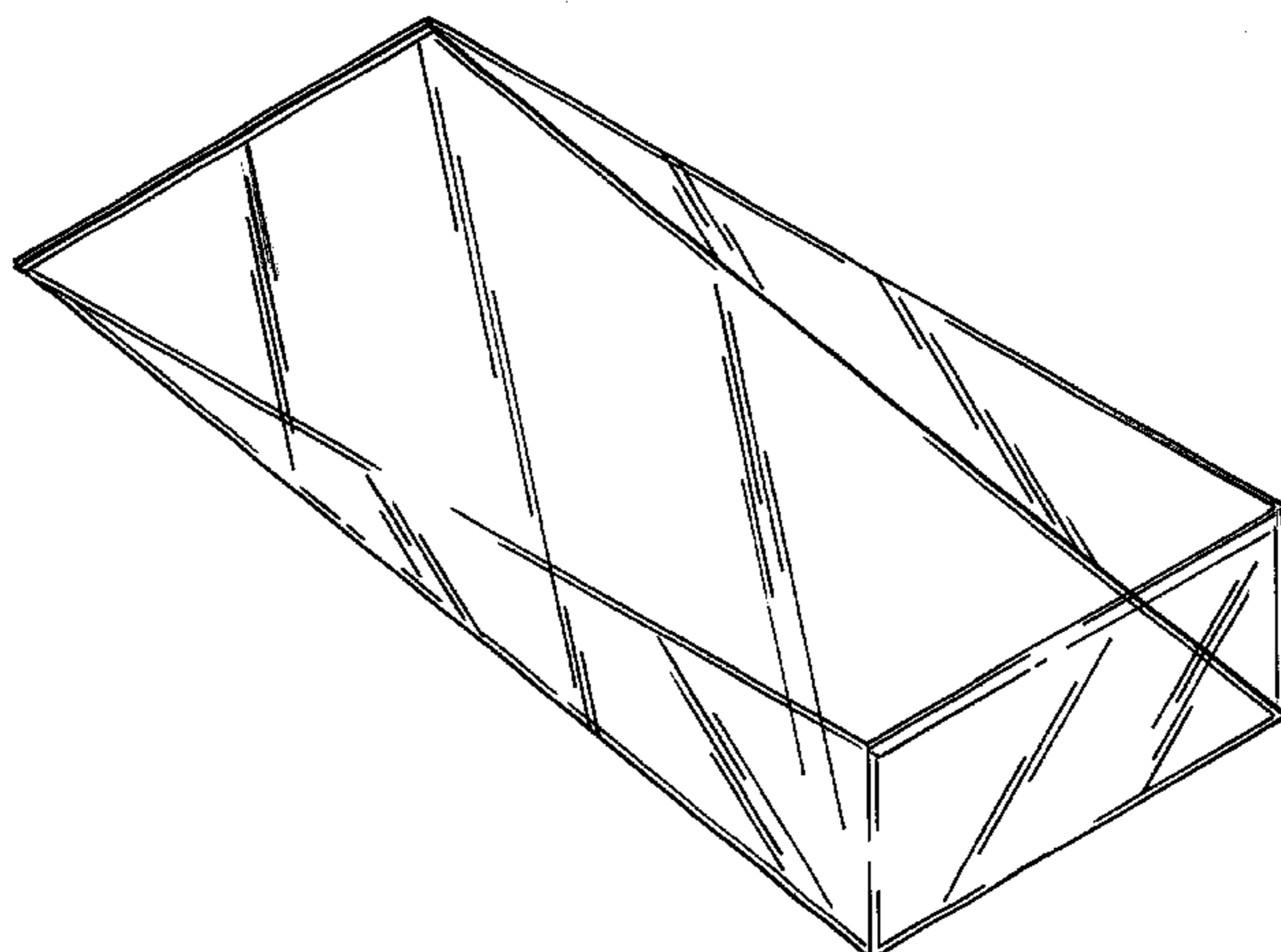
(57) **CLAIM**

I claim the ornamental design for transparent display holder for suspended ceilings, as shown and described.

DESCRIPTION

FIG. 1 is a perspective view showing front, top and right side portions of a first embodiment of my new design;
 FIG. 2 is a front elevational view thereof, it being understood that the rear elevational view is identical hereto except a mirror image reversal hereof;
 FIG. 3 is a top plan view thereof;
 FIG. 4 is a bottom plan view thereof;
 FIG. 5 is a left side view thereof;
 FIG. 6 is a right side view thereof;
 FIG. 7 is a perspective view showing front, top and right side portions of a second embodiment of my new design;
 FIG. 8 is a front elevational view thereof, it being understood that the rear elevational view is identical hereto except a mirror image reversal hereof;
 FIG. 9 is a top plan view thereof;
 FIG. 10 is a bottom plan view thereof;
 FIG. 11 is a left side view thereof;
 FIG. 12 is a right side view thereof;
 FIG. 13 is a perspective view showing front, top and right side portions of a third embodiment of my new design;
 FIG. 14 is a front elevational view thereof, it being understood that the rear elevational view is identical hereto except a mirror image reversal hereof;
 FIG. 15 is a top plan view thereof;
 FIG. 16 is a bottom plan view thereof;
 FIG. 17 is a left side view thereof;
 FIG. 18 is a right side view thereof;
 FIG. 19 is a perspective view showing front, top and right side portions of a fourth embodiment of my new design;
 FIG. 20 is a front elevational view thereof, it being understood that the rear elevational view is identical hereto except a mirror image reversal hereof;
 FIG. 21 is a top plan view thereof;
 FIG. 22 is a bottom plan view thereof;
 FIG. 23 is a left side view thereof; and,
 FIG. 24 is a right side view thereof.

1 Claim, 8 Drawing Sheets



US D499,769 S

Page 2

U.S. PATENT DOCUMENTS

4,716,671 A	1/1988	Gross	40/558	D366,502 S	*	1/1996	Durco, Jr.	D20/19
4,856,216 A	8/1989	Gross	40/559	D401,879 S	*	12/1998	Keller	D10/109
4,947,570 A	8/1990	May et al.	40/553	6,014,841 A		1/2000	McCoy, Jr. et al.	52/19
5,044,103 A	9/1991	Izenberg	40/617	D423,164 S	*	4/2000	McKeown et al.	D34/1
5,128,850 A	7/1992	Juodvalkis	362/352	D446,551 S	*	8/2001	Harper	D20/10
5,274,938 A	1/1994	McDonald et al.	40/617	6,397,531 B1		6/2002	Martin	52/220.6
5,282,331 A	2/1994	Fell	40/617	6,467,209 B1		10/2002	Vickers	40/617
5,355,604 A	10/1994	Rathke	40/601	D476,690 S	*	7/2003	Elmer	D20/10

* cited by examiner

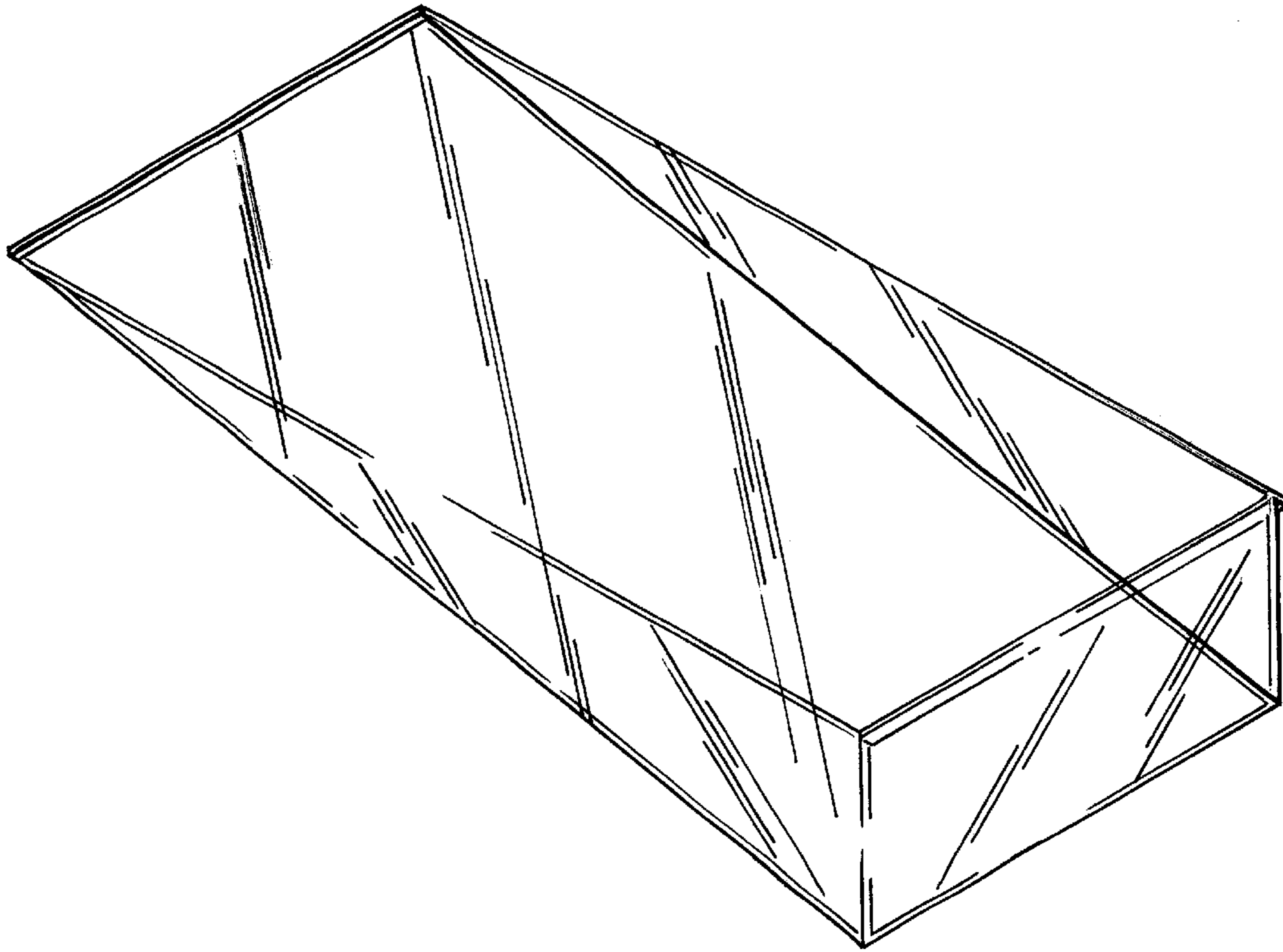


FIG. 1

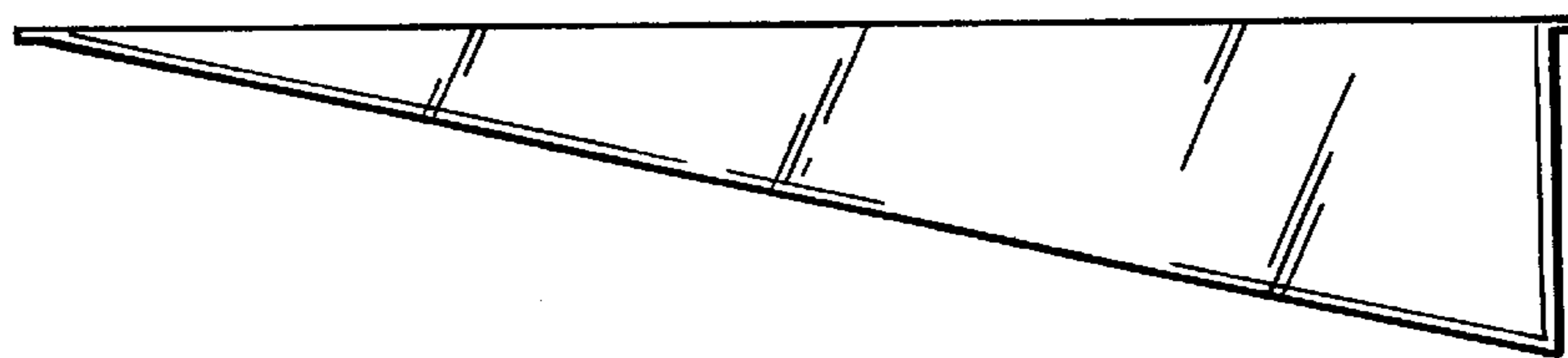


FIG. 2

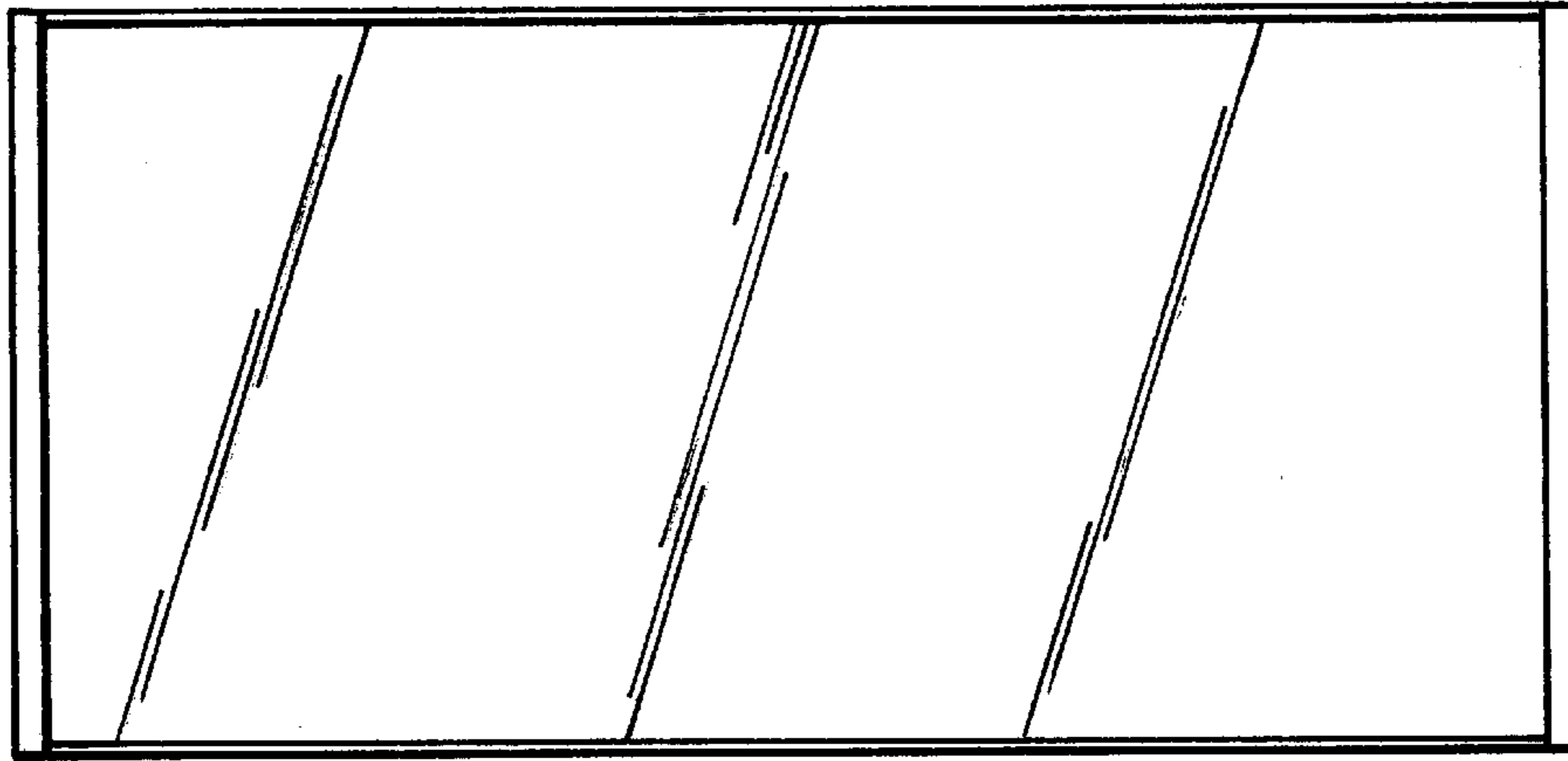


FIG. 3

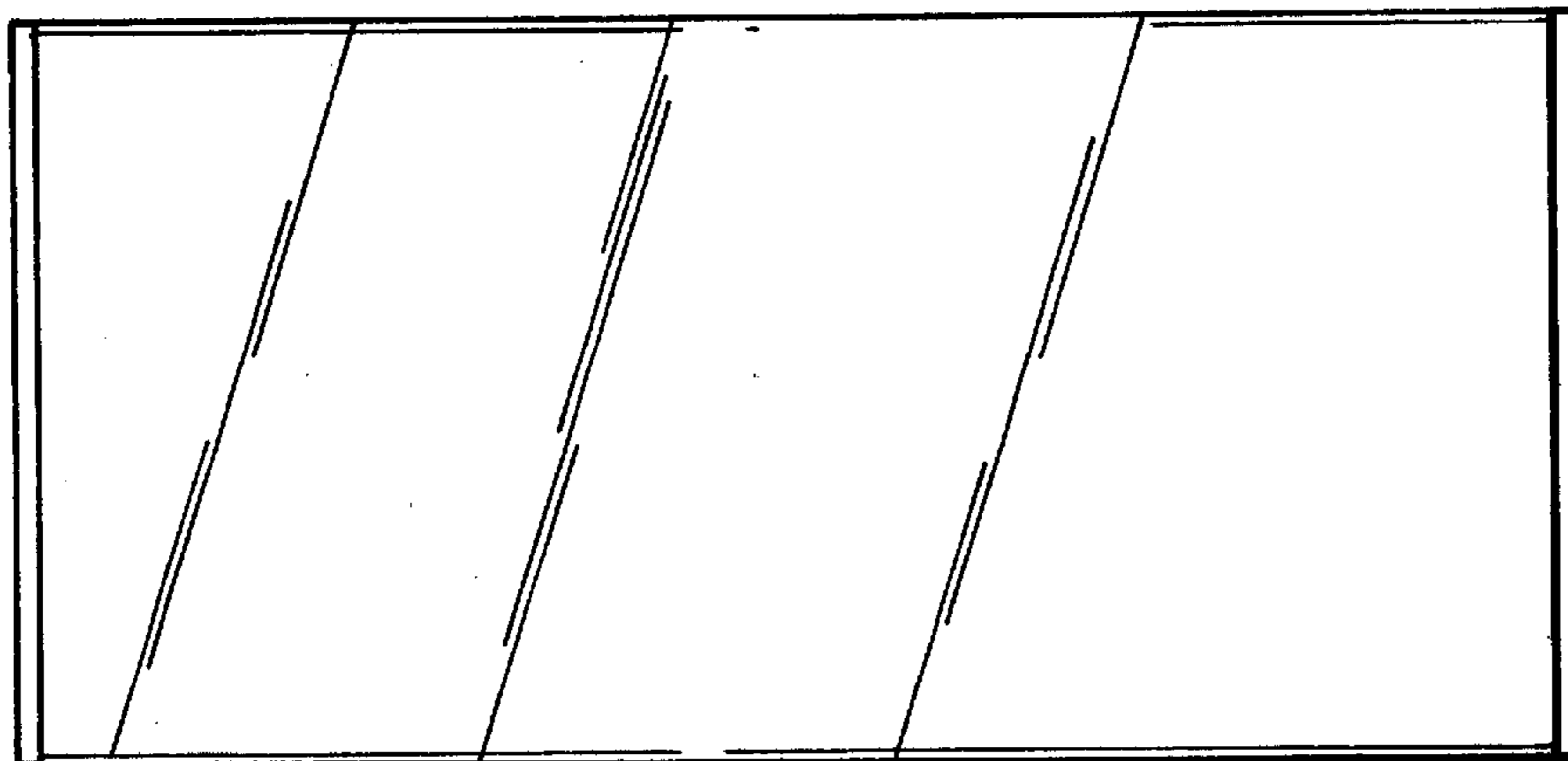


FIG. 4

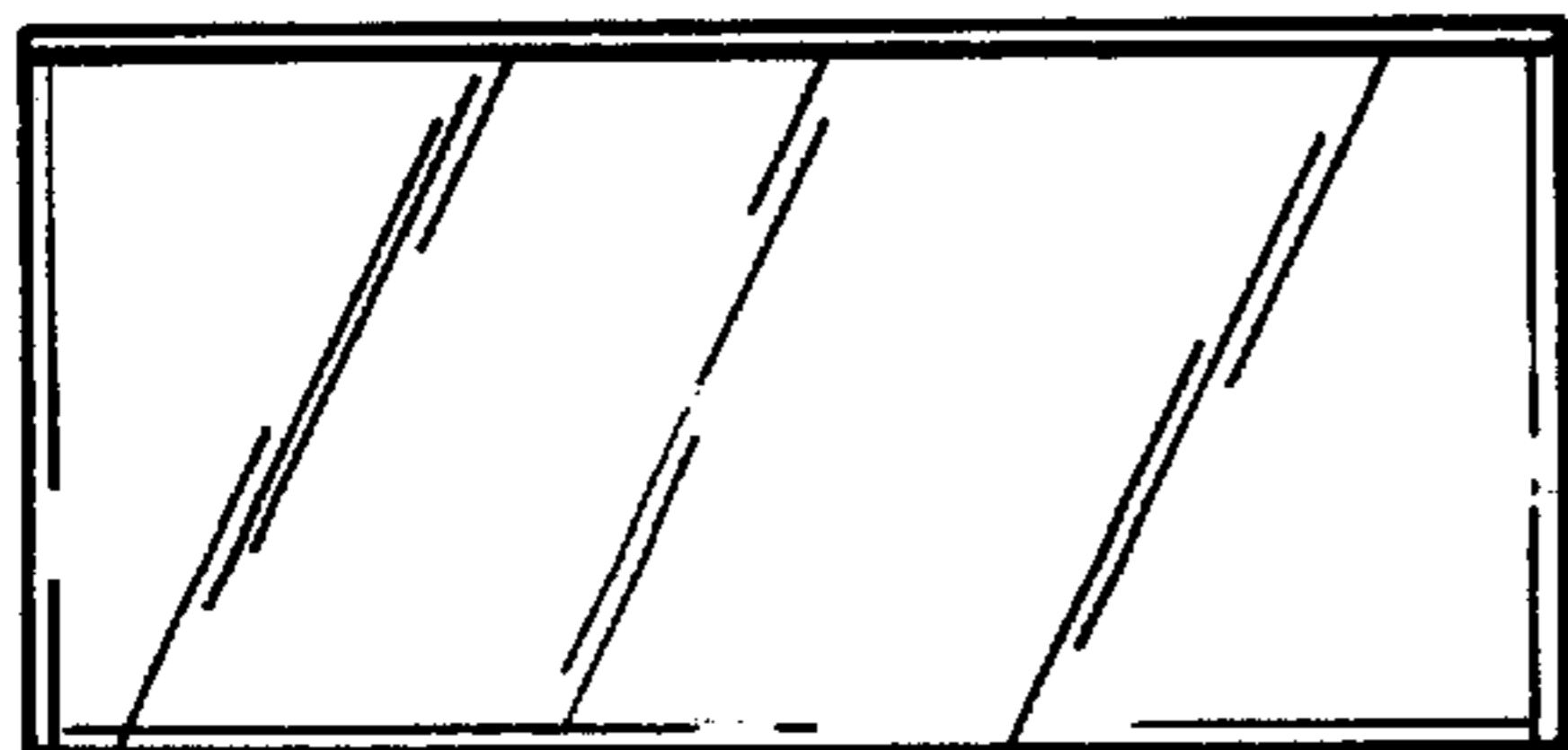


FIG. 5

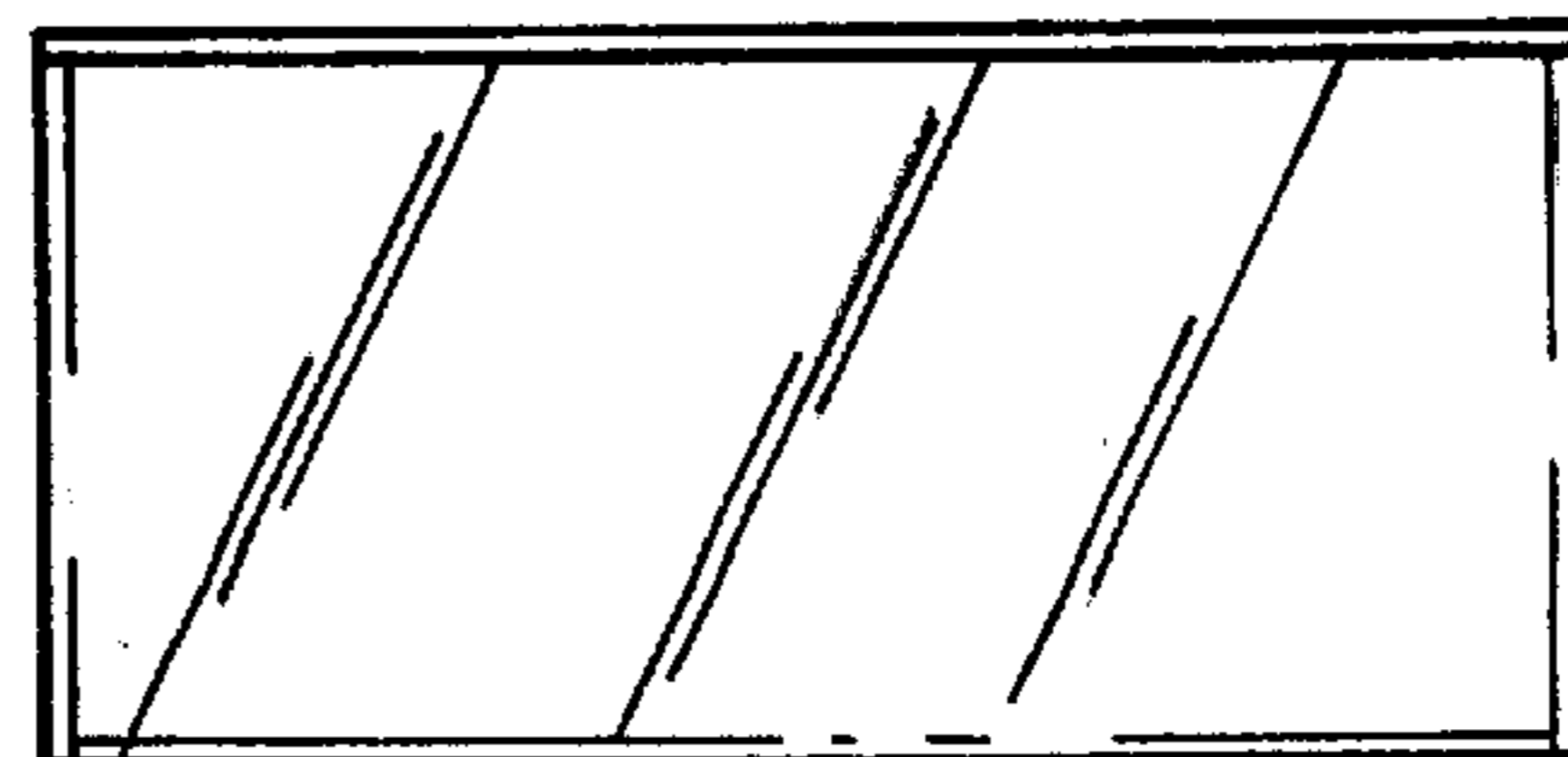


FIG. 6

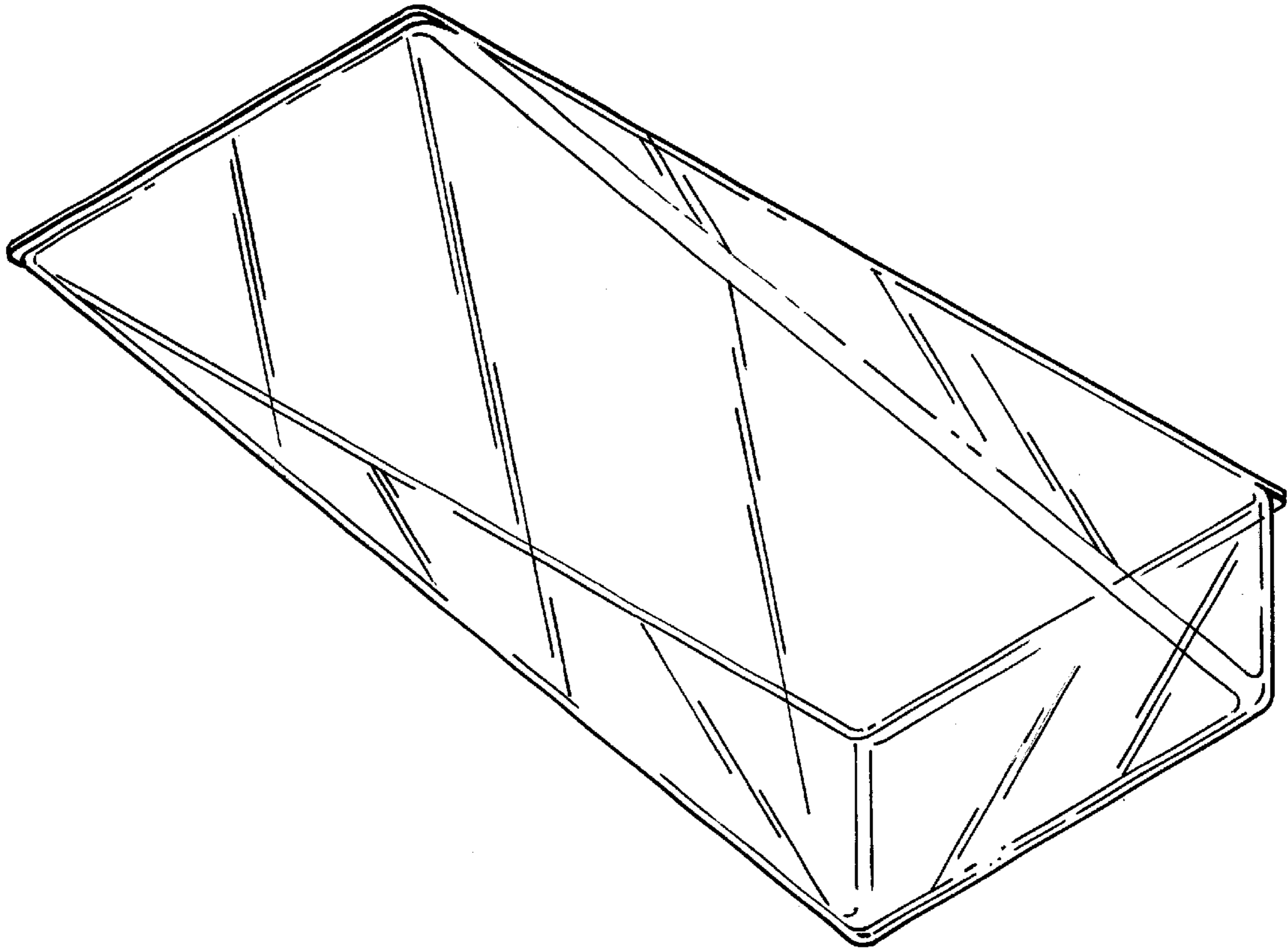


FIG. 7

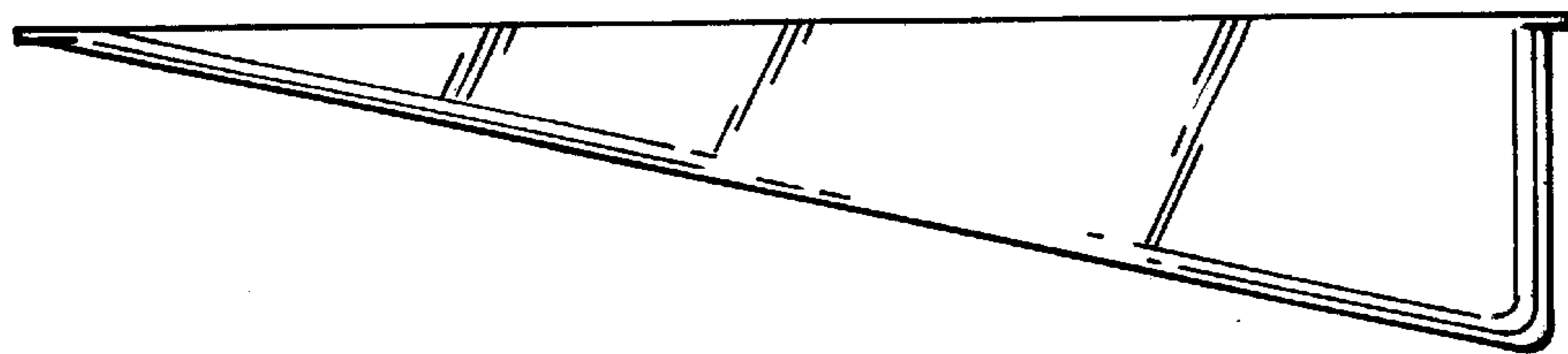


FIG. 8

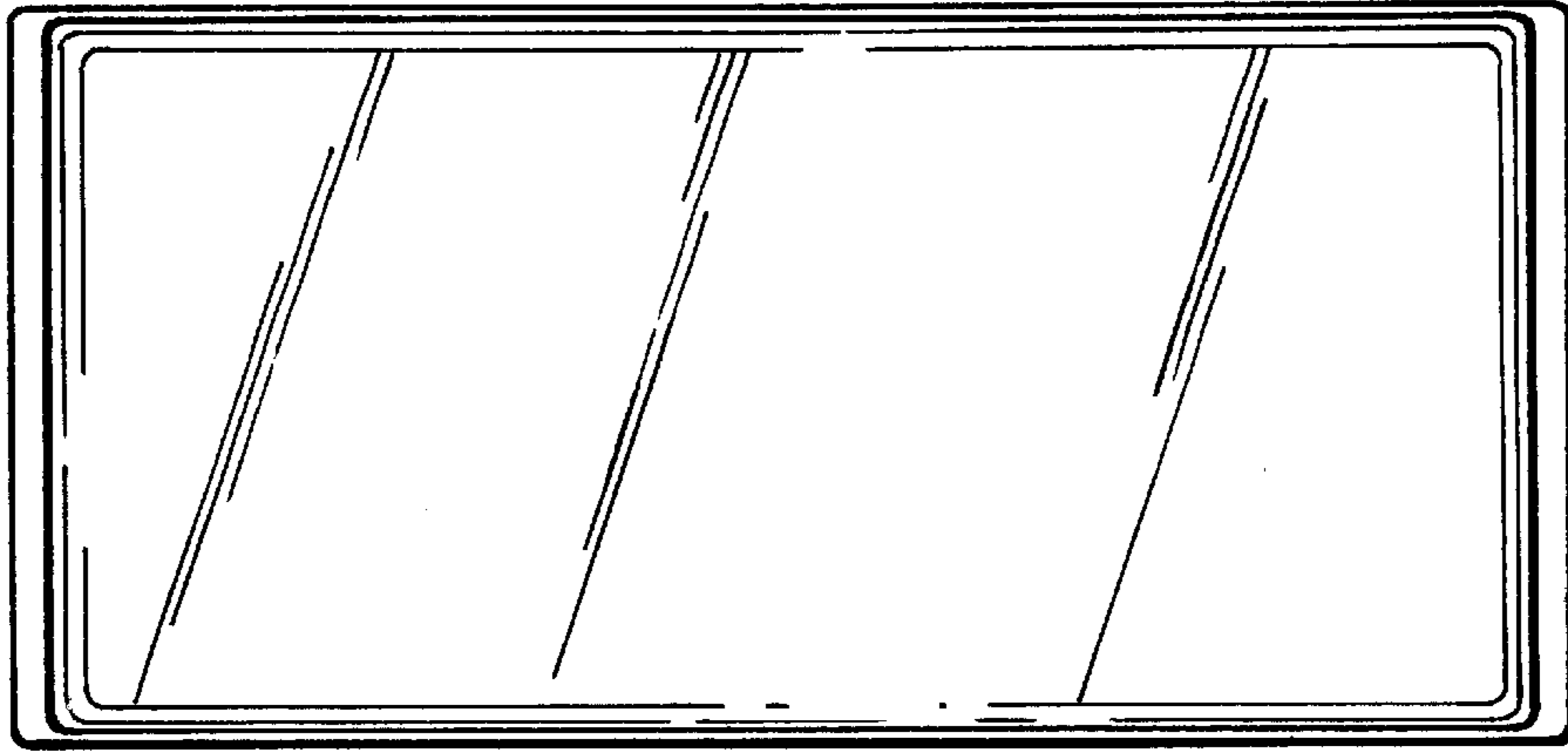


FIG. 9

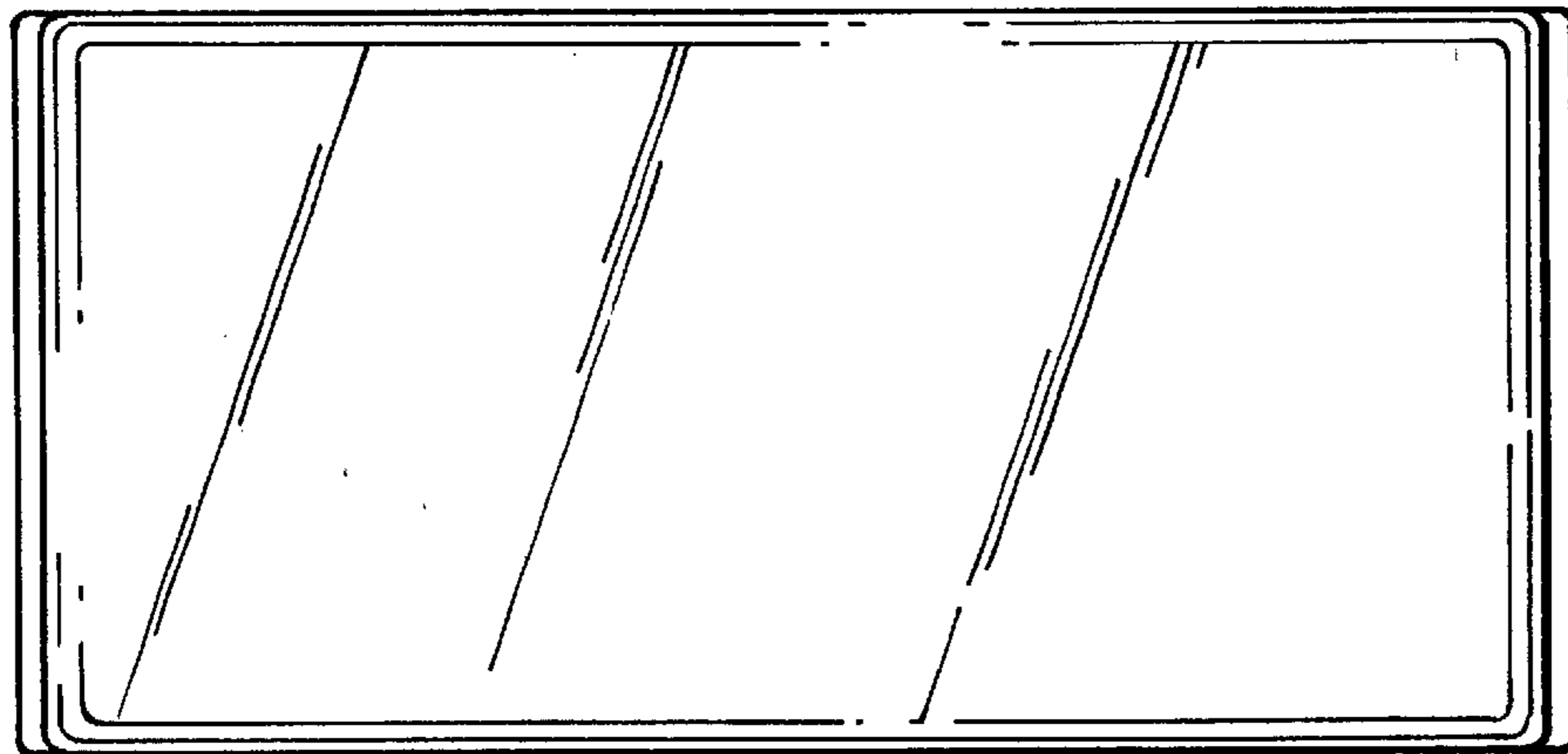


FIG. 10

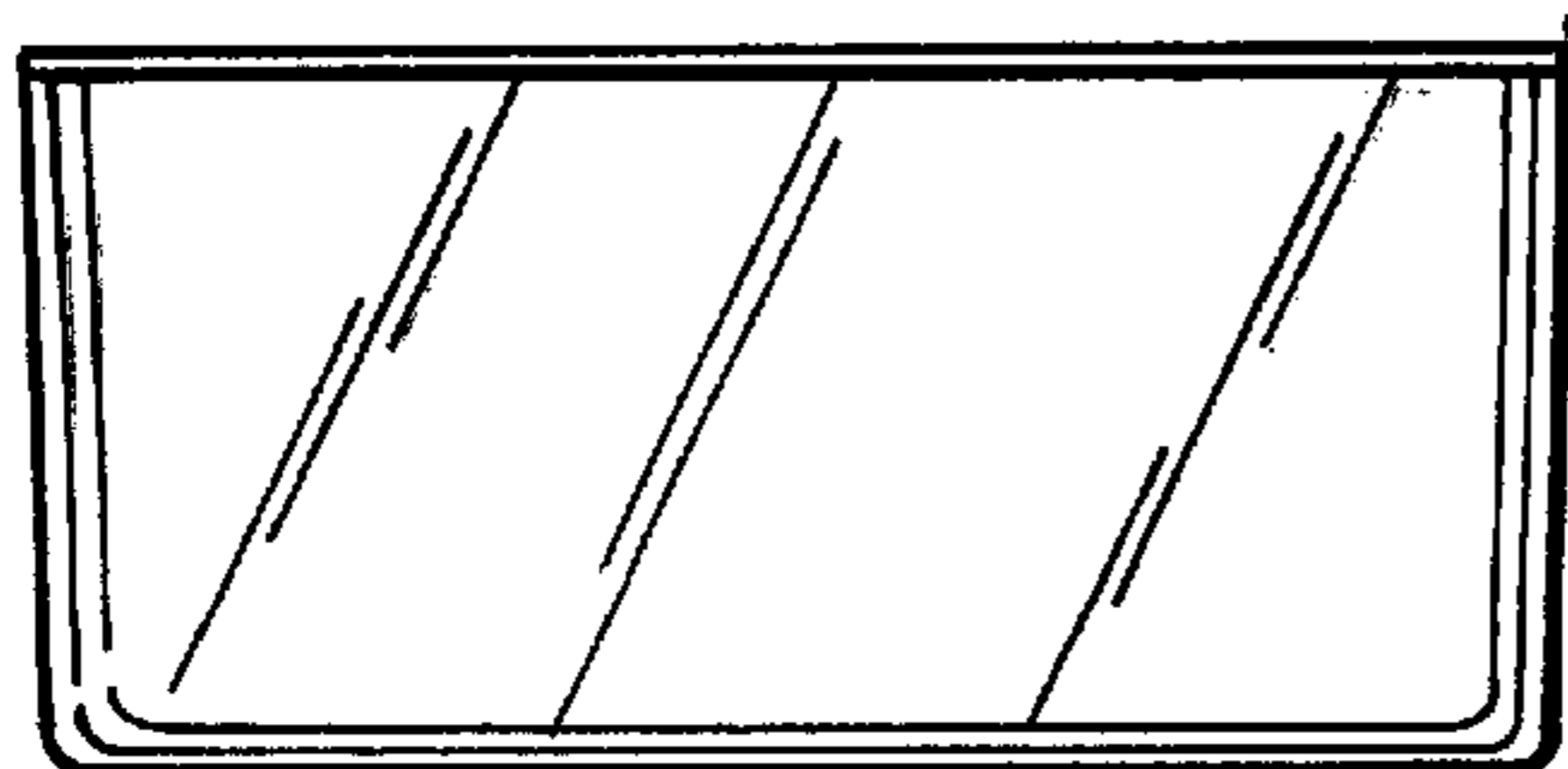


FIG. 11

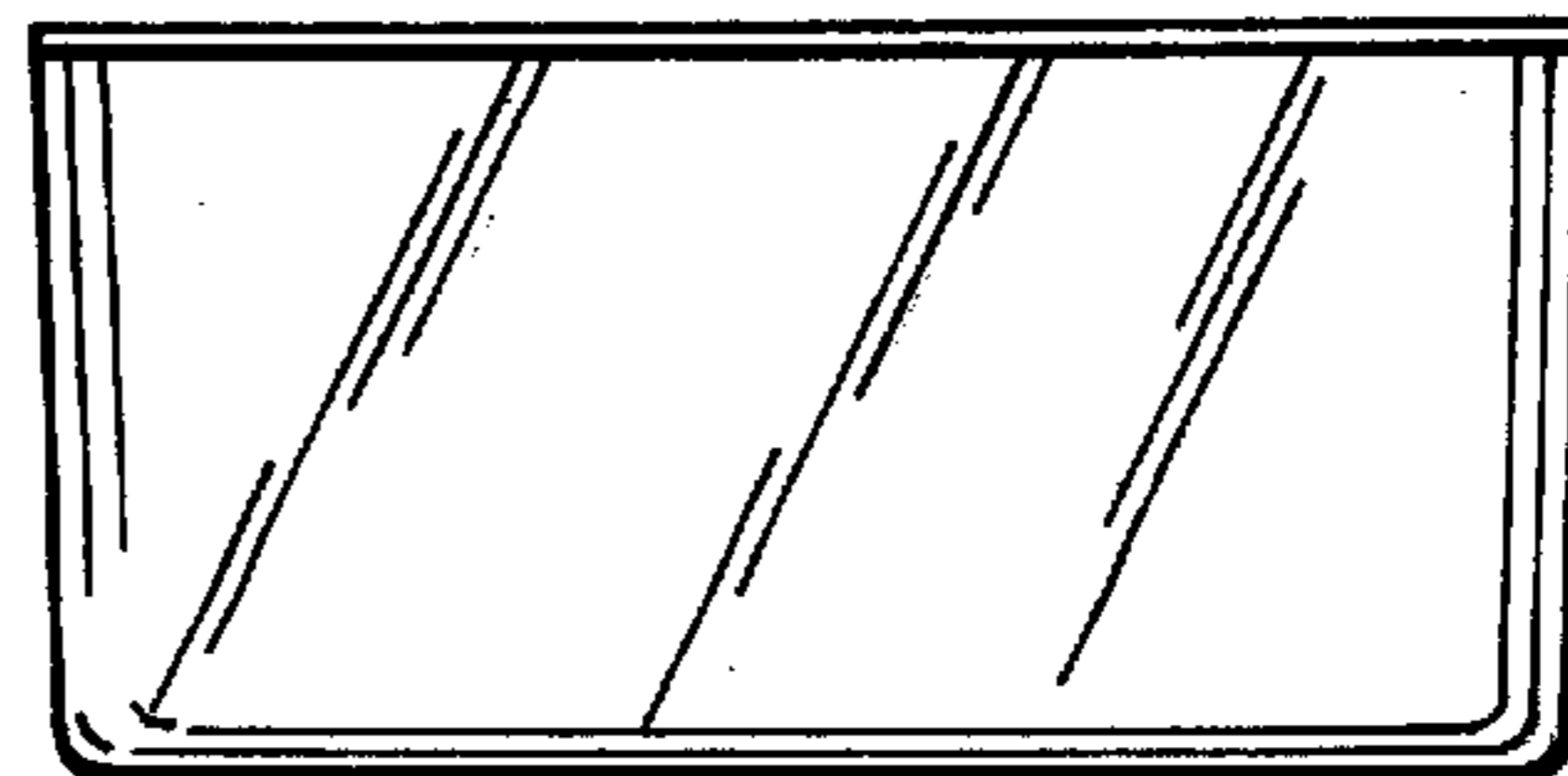


FIG. 12

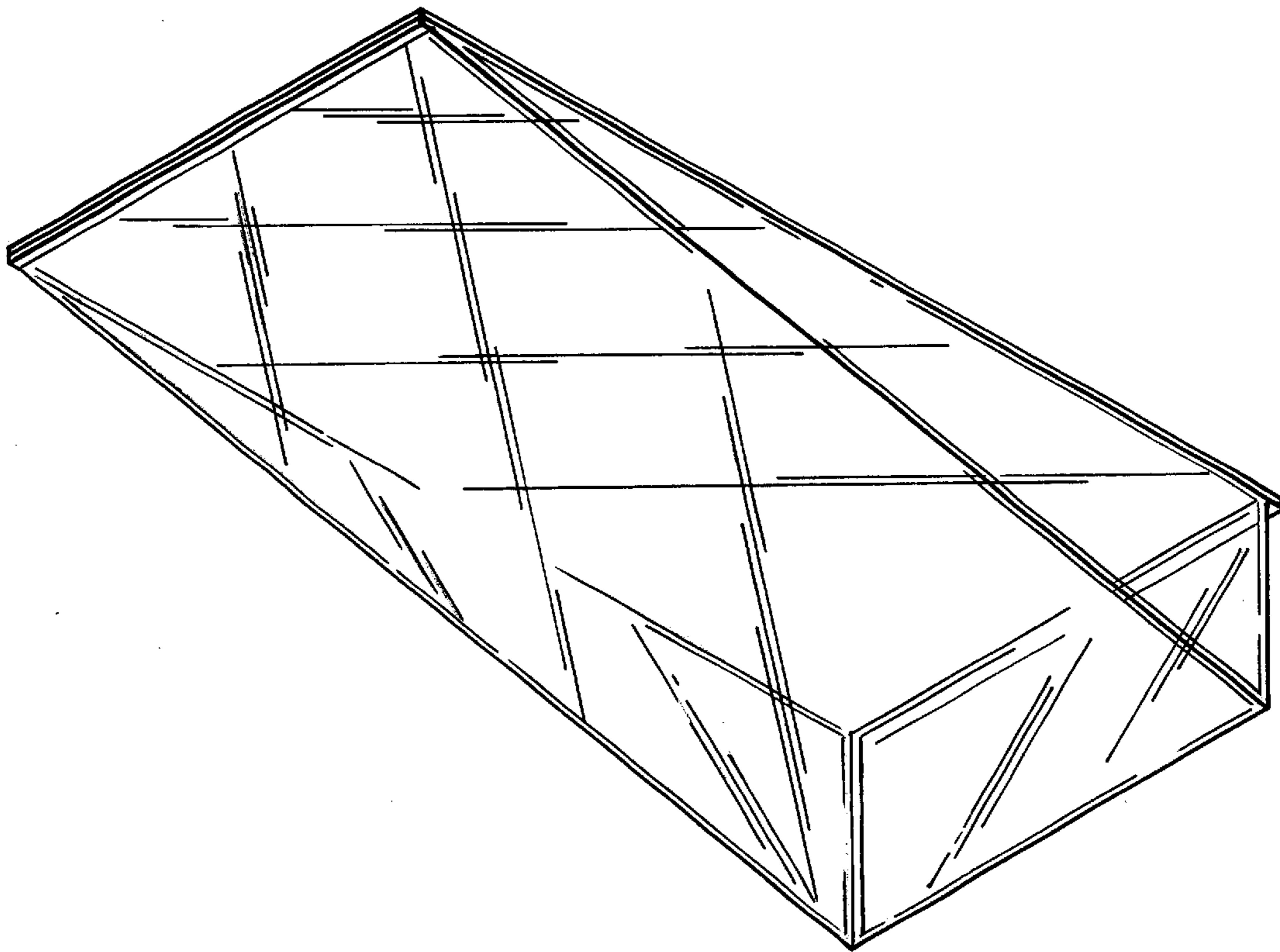


FIG. 13

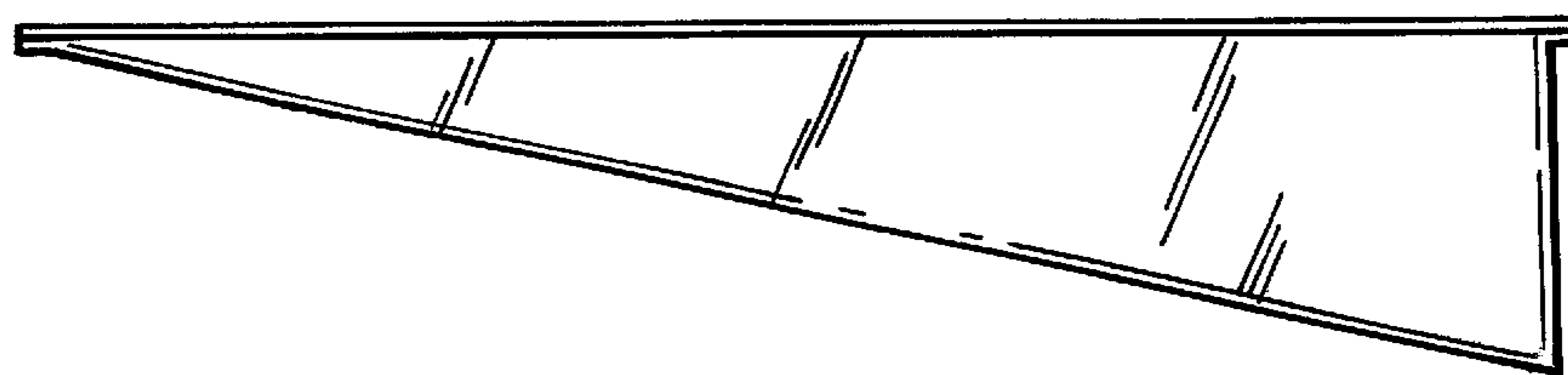


FIG. 14

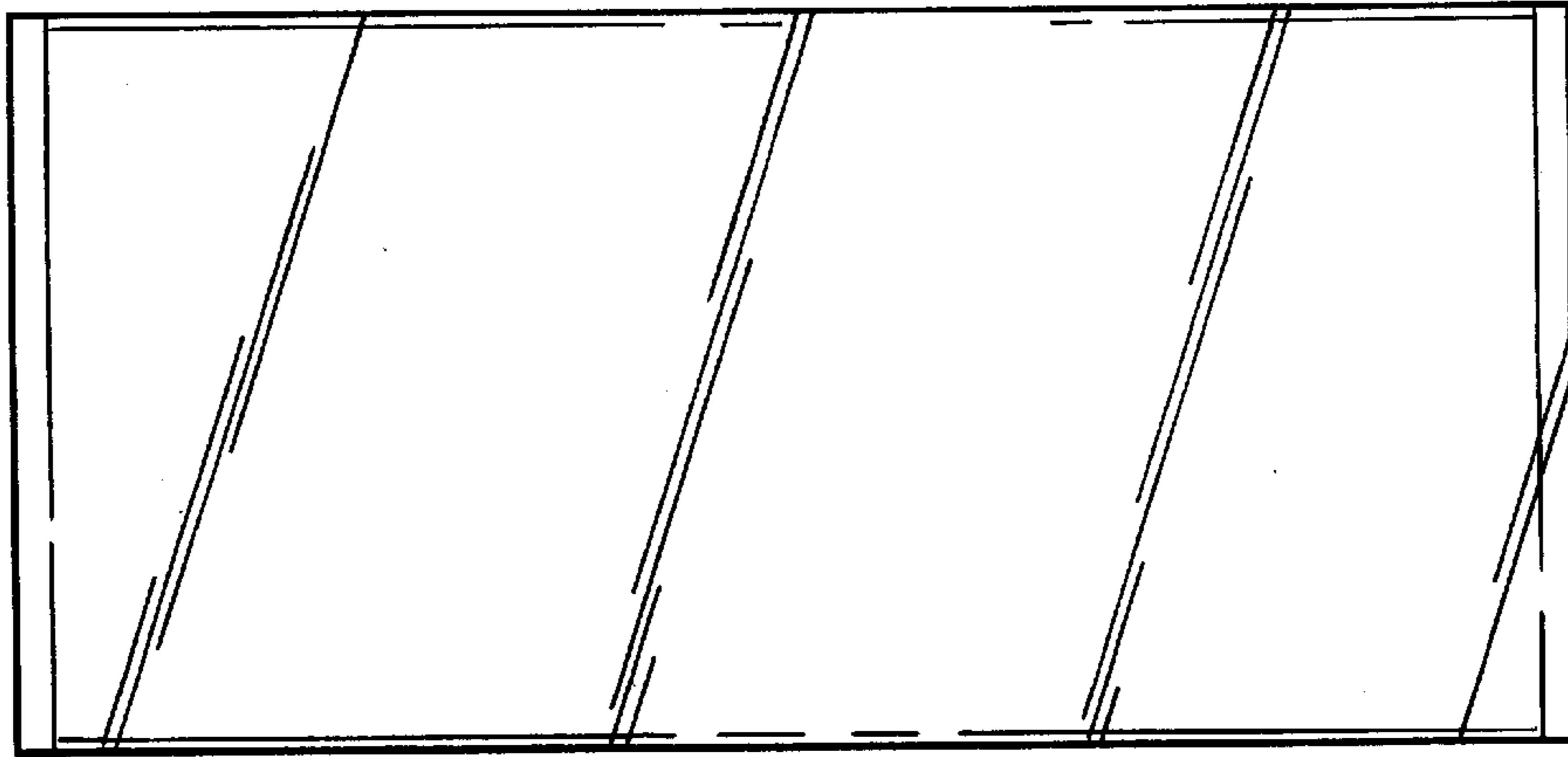


FIG. 15

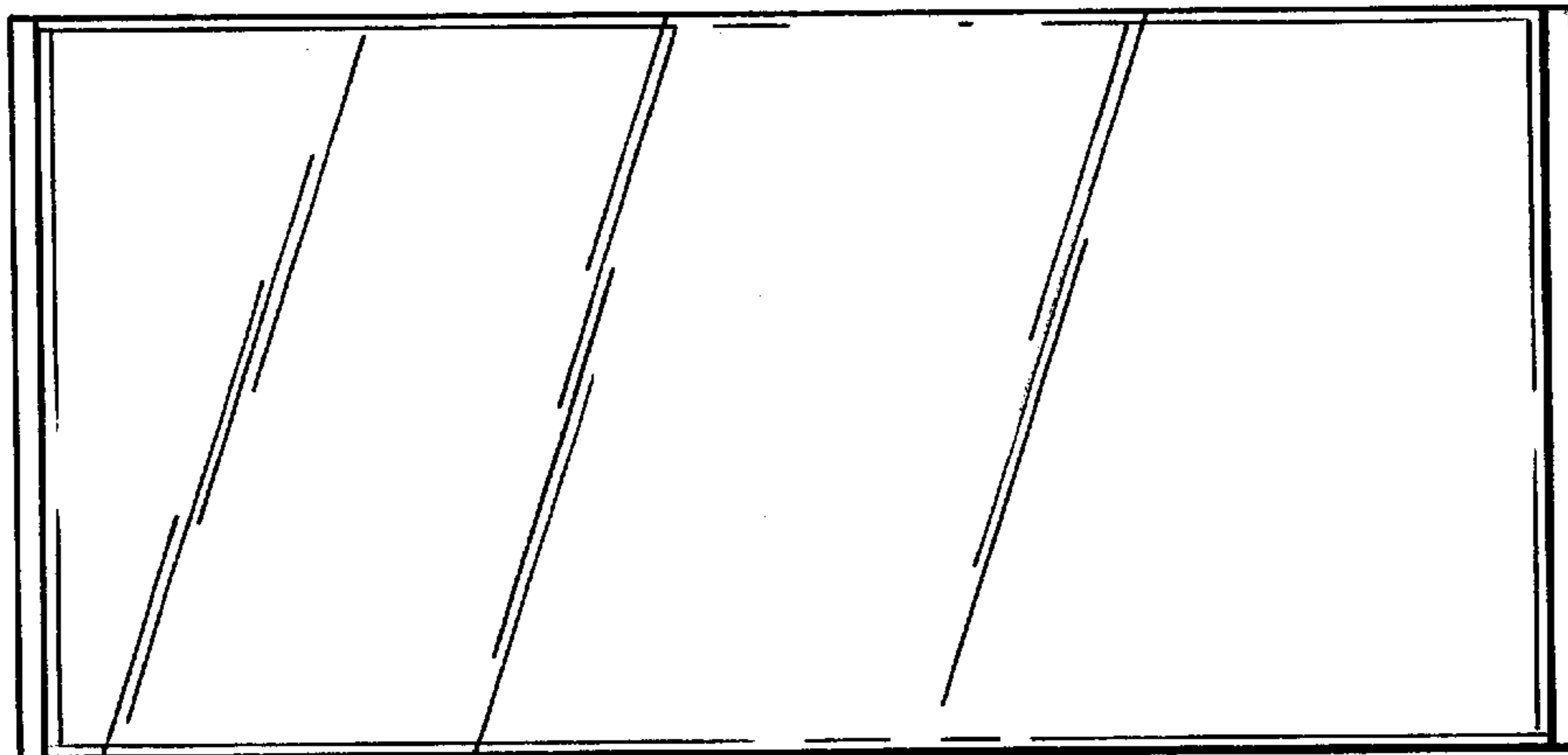


FIG. 16

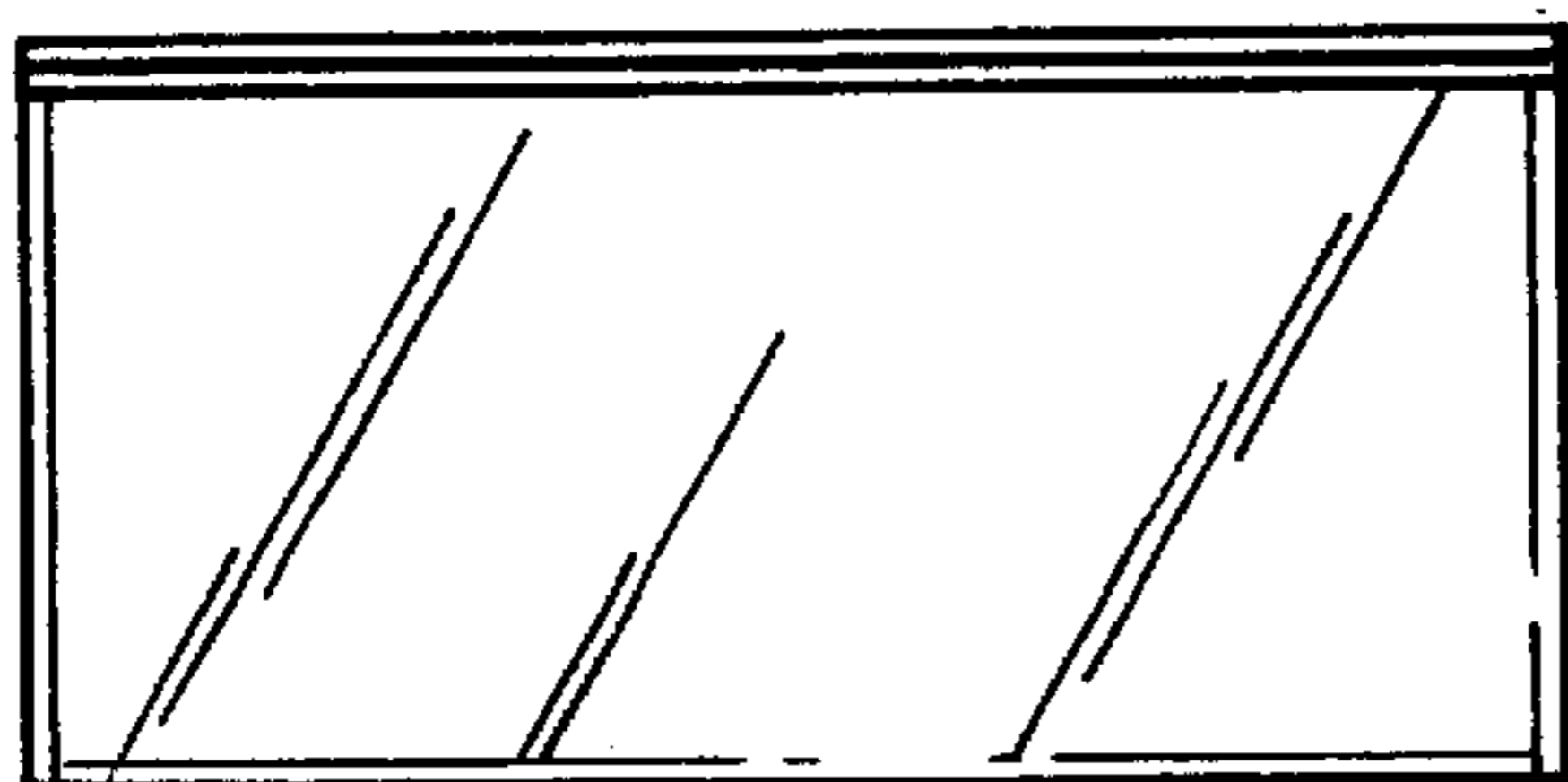


FIG. 17

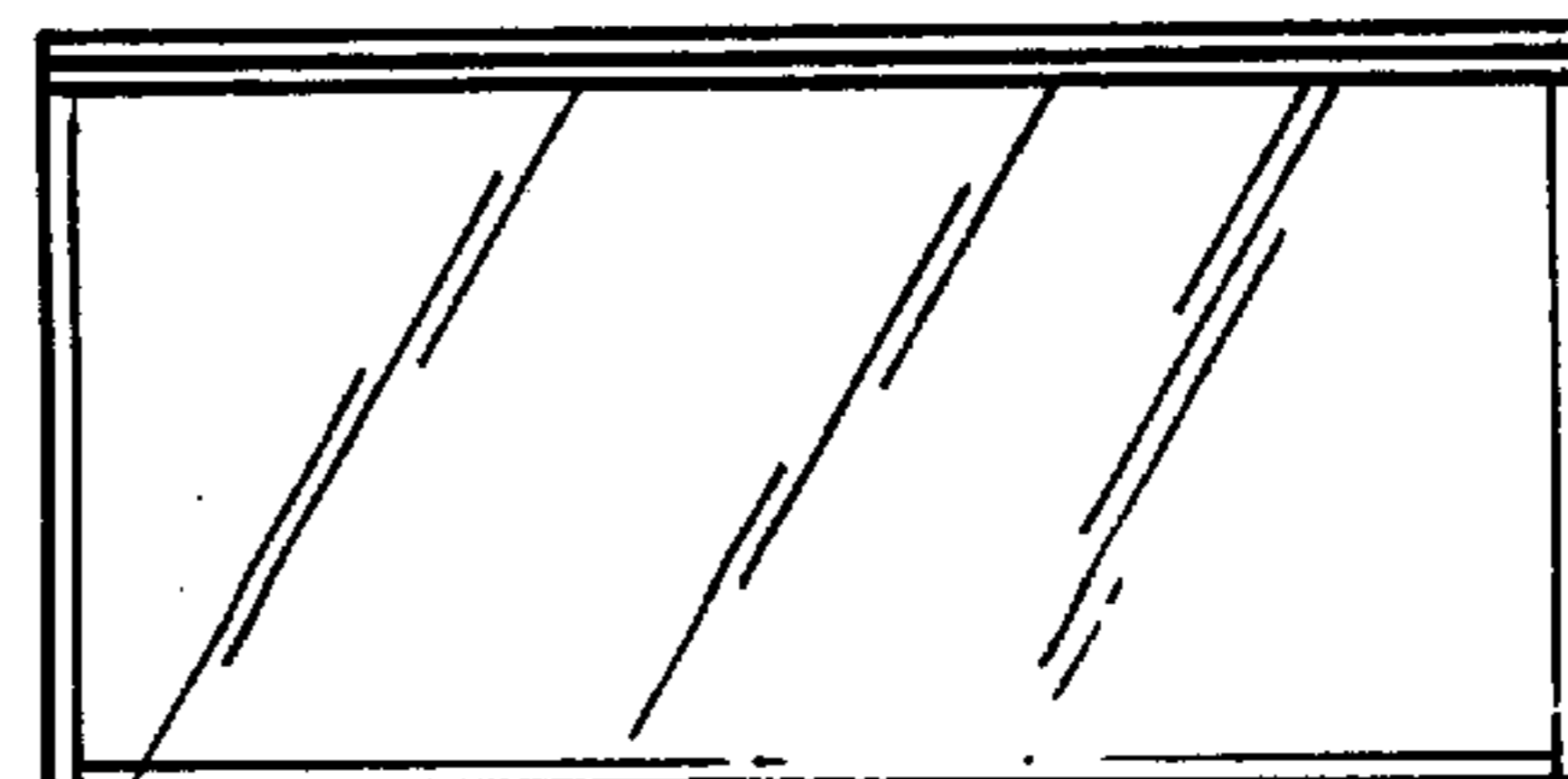


FIG. 18

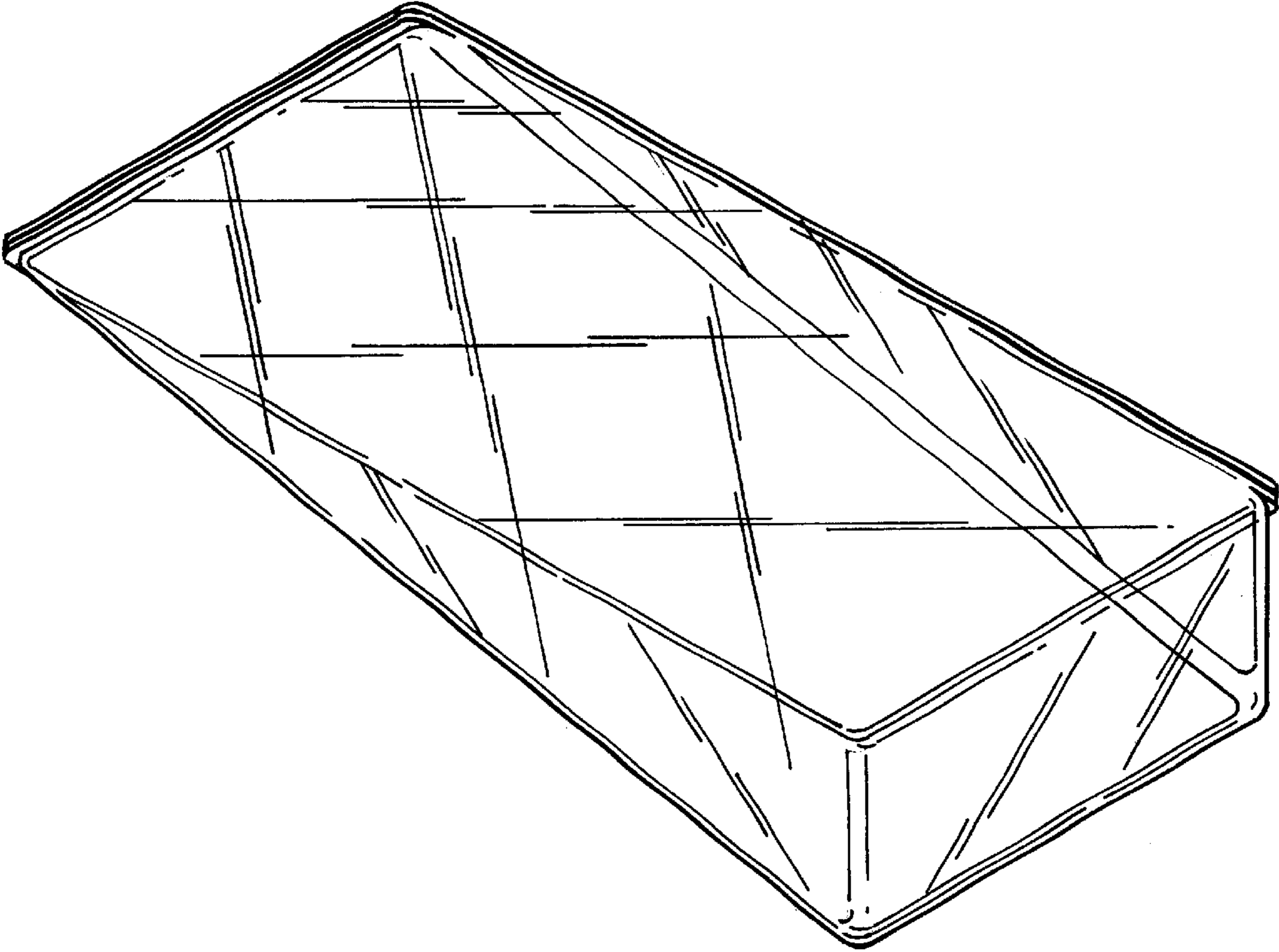


FIG. 19

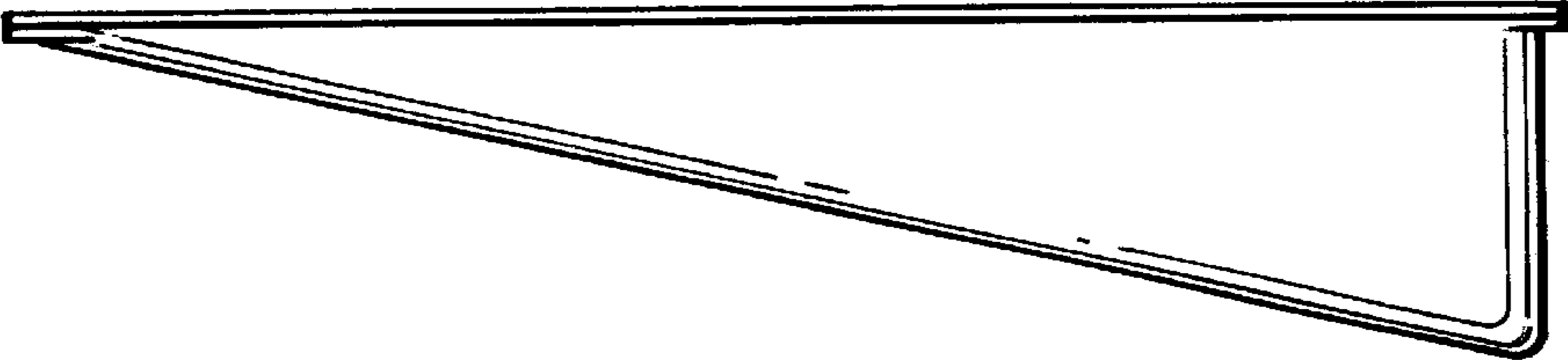


FIG. 20

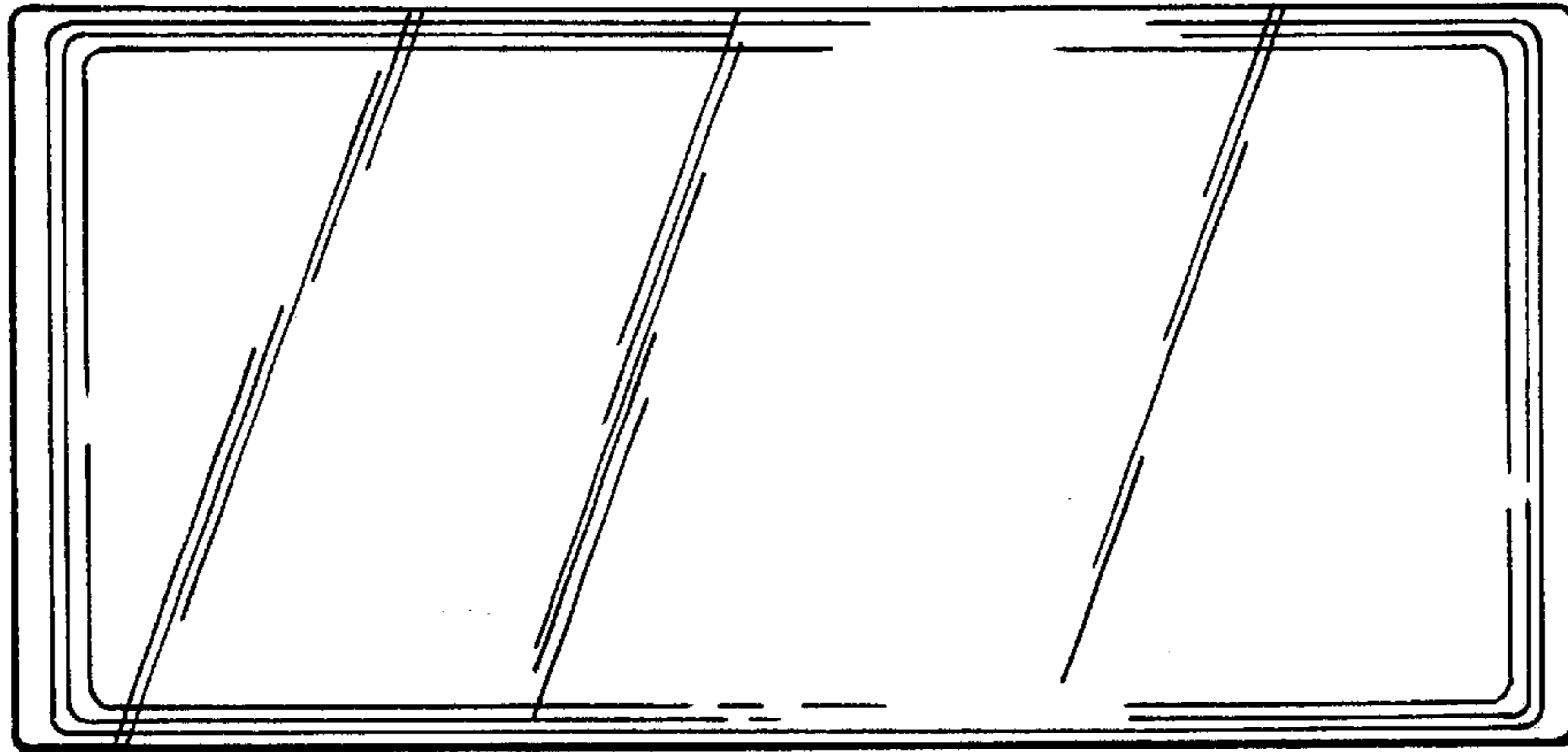


FIG. 21

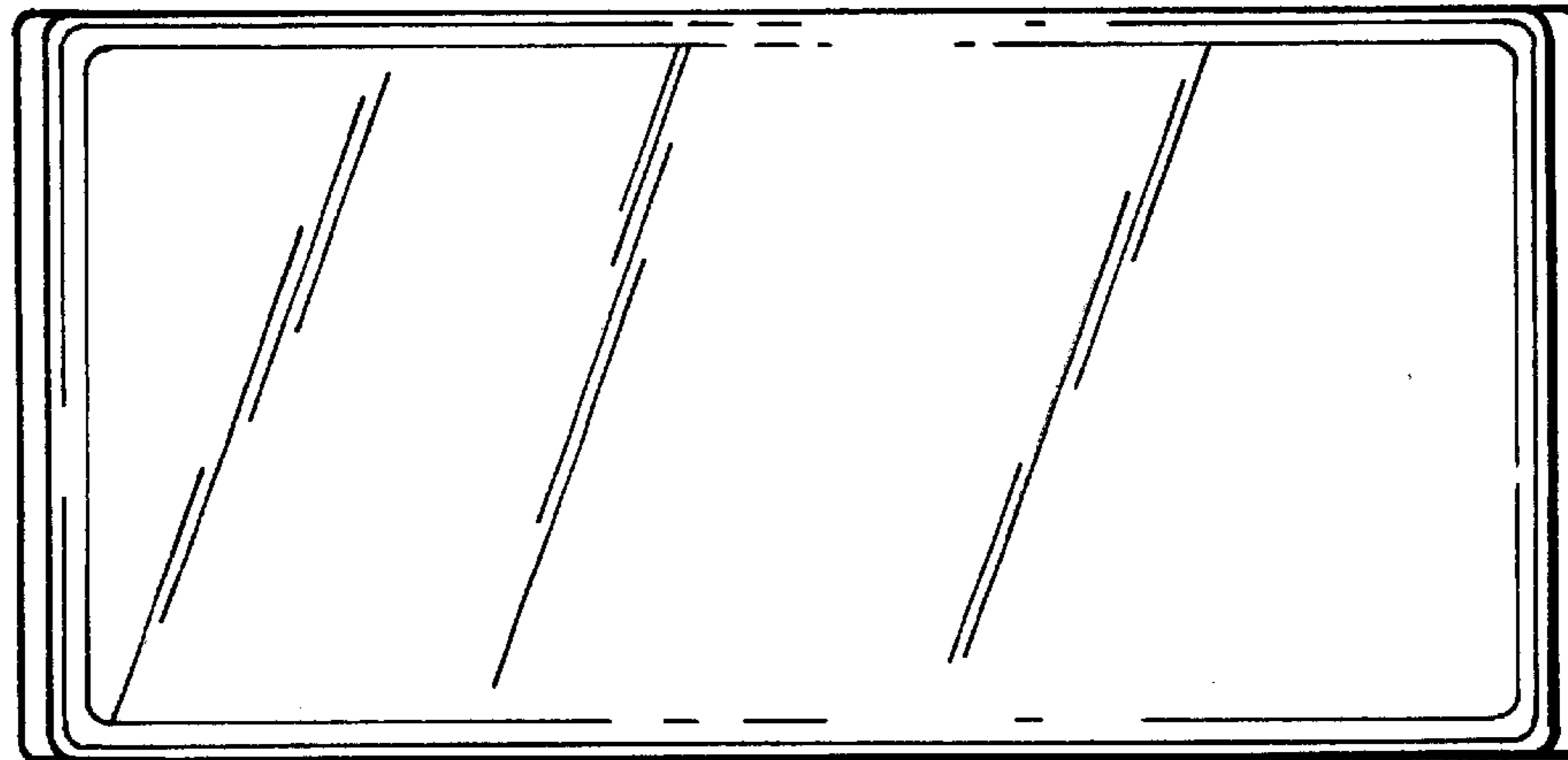


FIG. 22

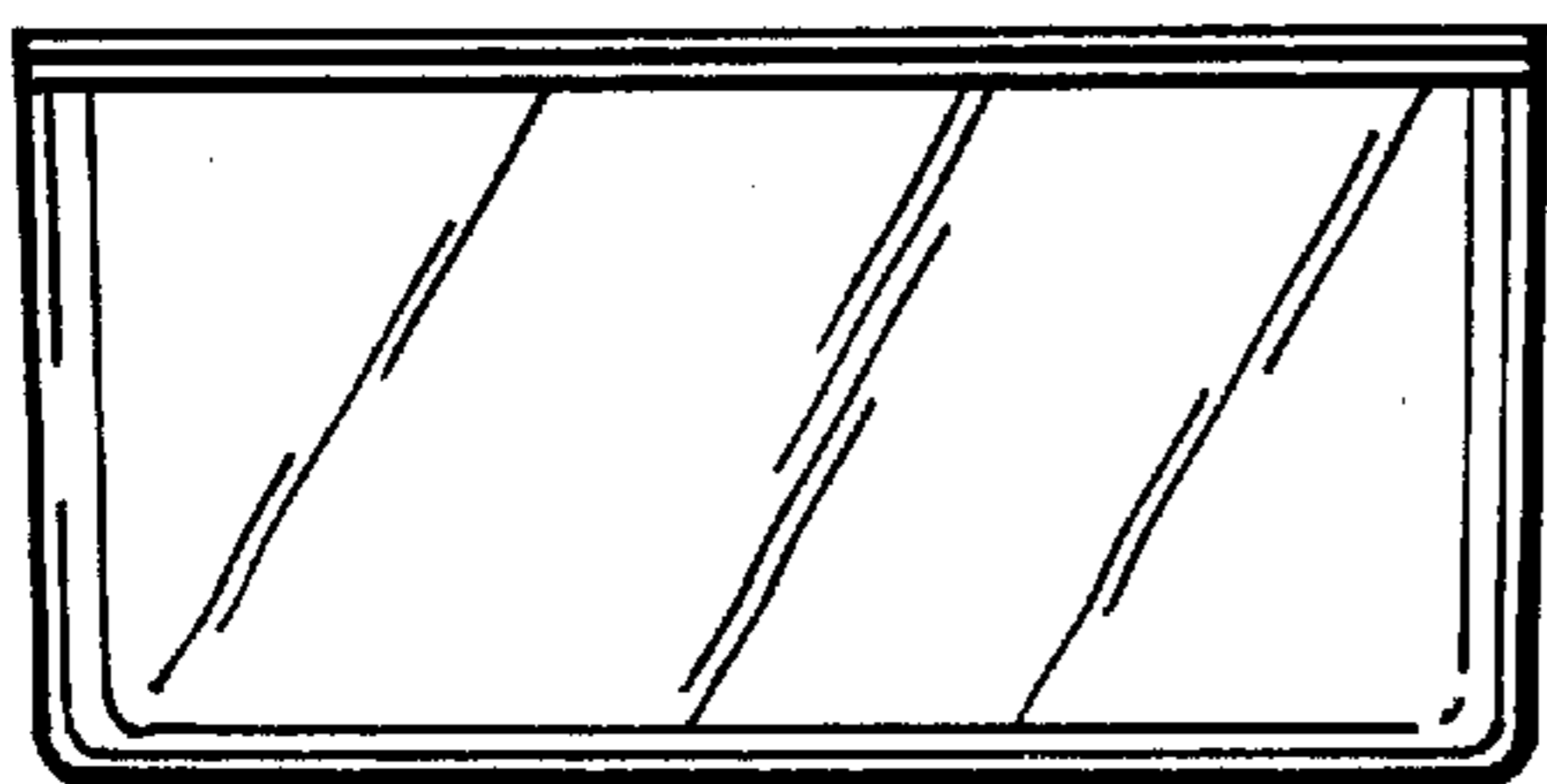


FIG. 23

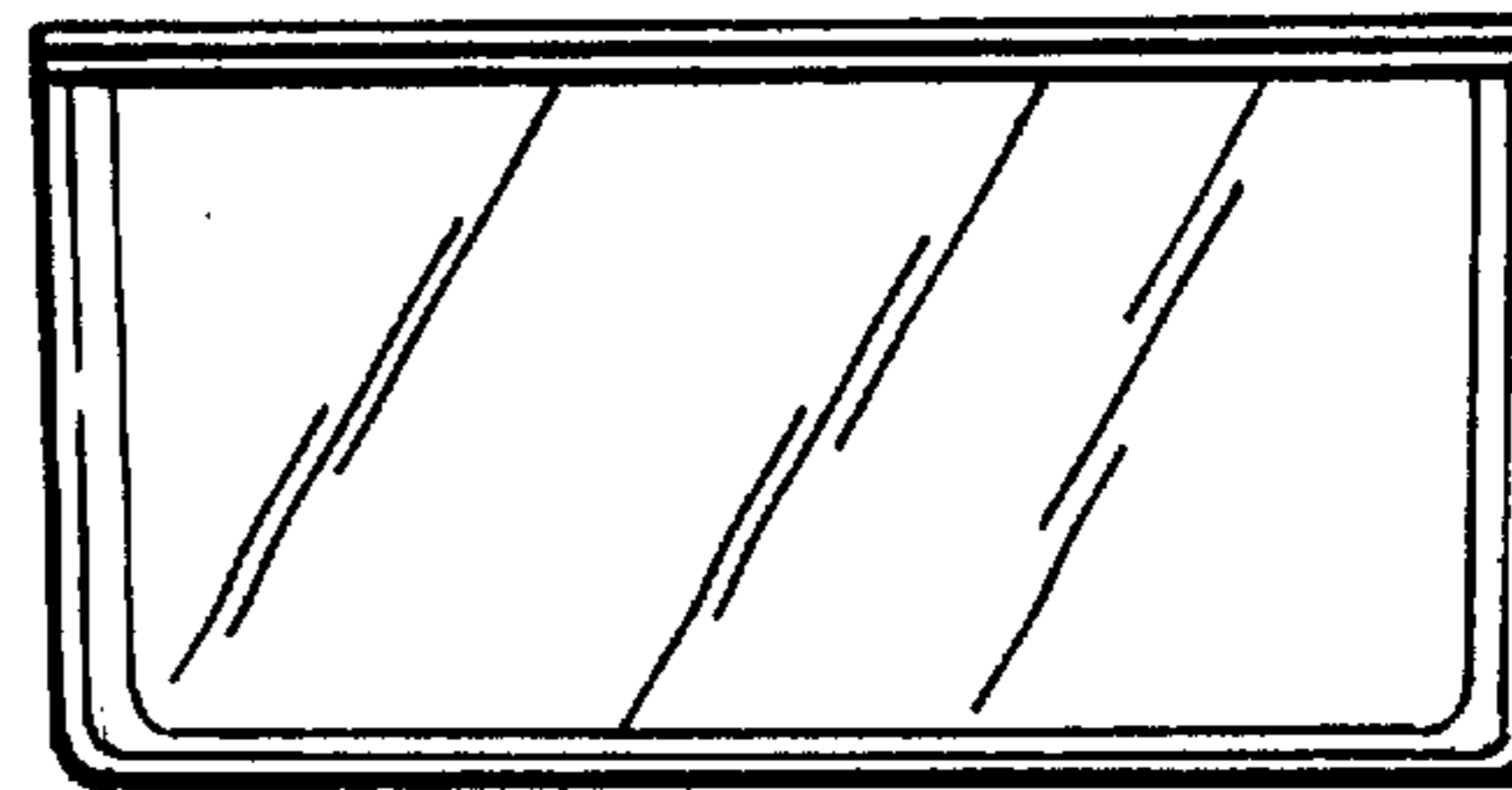


FIG. 24