



US00D499761S

(12) **United States Design Patent** (10) **Patent No.:** **US D499,761 S**
Walley et al. (45) **Date of Patent:** **** Dec. 14, 2004**

(54) **COVER FOR A BINDER, NOTEBOOK OR PORTFOLIO**

6,558,062 B1 5/2003 Wyant et al.
D476,032 S * 6/2003 Marchand D19/26
D481,074 S * 10/2003 Shapiro et al. D19/90

(75) Inventors: **Carey L. Walley**, Springboro, OH (US); **Thomas J. Africa**, Lebanon, OH (US); **Erik N. Sabin**, New Vienna, OH (US)

* cited by examiner

Primary Examiner—Joel A. Sincavage

Assistant Examiner—Elizabeth Albert

(73) Assignee: **MeadWestvaco Corporation**, Stamford, CT (US)

(74) *Attorney, Agent, or Firm*—Thompson Hine LLP

(**) Term: **14 Years**

(57) **CLAIM**

The ornamental design for a cover for a binder, notebook or portfolio, as shown and described.

(21) Appl. No.: **29/183,726**

DESCRIPTION

(22) Filed: **Jun. 16, 2003**

(51) **LOC (7) Cl.** **19-04**

(52) **U.S. Cl.** **D19/26**

(58) **Field of Search** D3/303, 900; D19/26, D19/27, 28, 29, 30, 31, 32, 33; 206/472; 281/15.1, 19.1, 21.1, 27.1, 27.2, 27.3, 29, 34, 38, 40, 41, 51; 402/70, 73, 74

FIG. 1 is a front perspective view of a cover for a binder, notebook or portfolio showing our new design;

FIG. 2 is a top view of the cover for a binder, notebook or portfolio of FIG. 1;

FIG. 3 is a bottom end view of the cover for a binder, notebook or portfolio of FIG. 1, the top end view being a mirror image thereto;

FIG. 4 is a back view of the cover for a binder, notebook or portfolio of FIG. 1;

FIG. 5 is a left side view of the cover for a binder, notebook or portfolio of FIG. 1; and,

FIG. 6 is right side view of the cover for a binder, notebook or portfolio of FIG. 1.

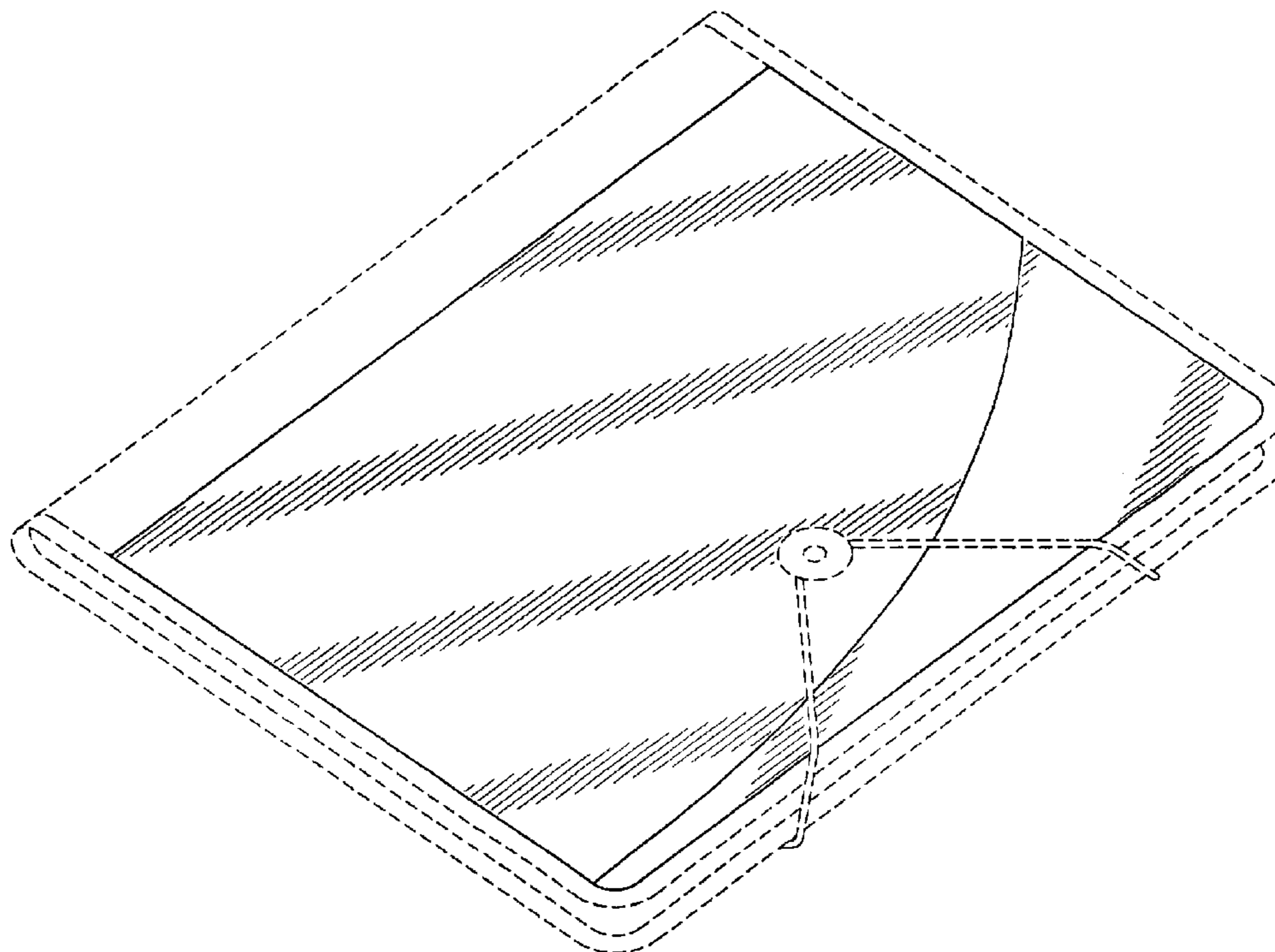
The broken lines are for illustrative purposes only and do not constitute any part of the claimed design.

(56) **References Cited**

U.S. PATENT DOCUMENTS

- D182,059 S * 2/1958 Chase D3/233
- D187,321 S * 2/1960 Mayer D3/247
- D302,698 S * 8/1989 Rexroat et al. D19/26
- D366,674 S * 1/1996 Hirai D19/86
- D424,615 S 5/2000 Wyant
- D432,172 S 10/2000 Moor
- D440,253 S * 4/2001 Wolff et al. D19/86

1 Claim, 4 Drawing Sheets



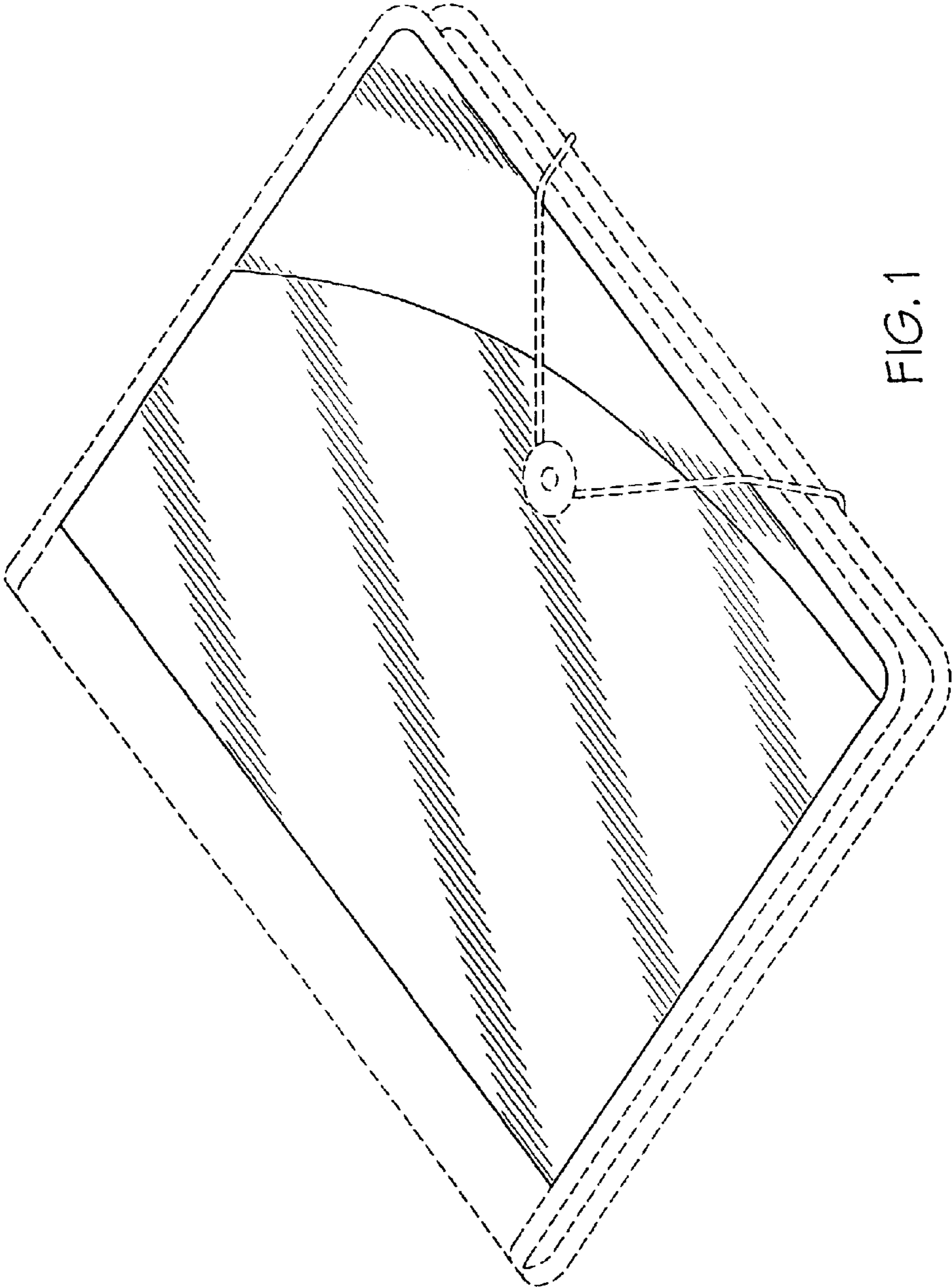


FIG. 1

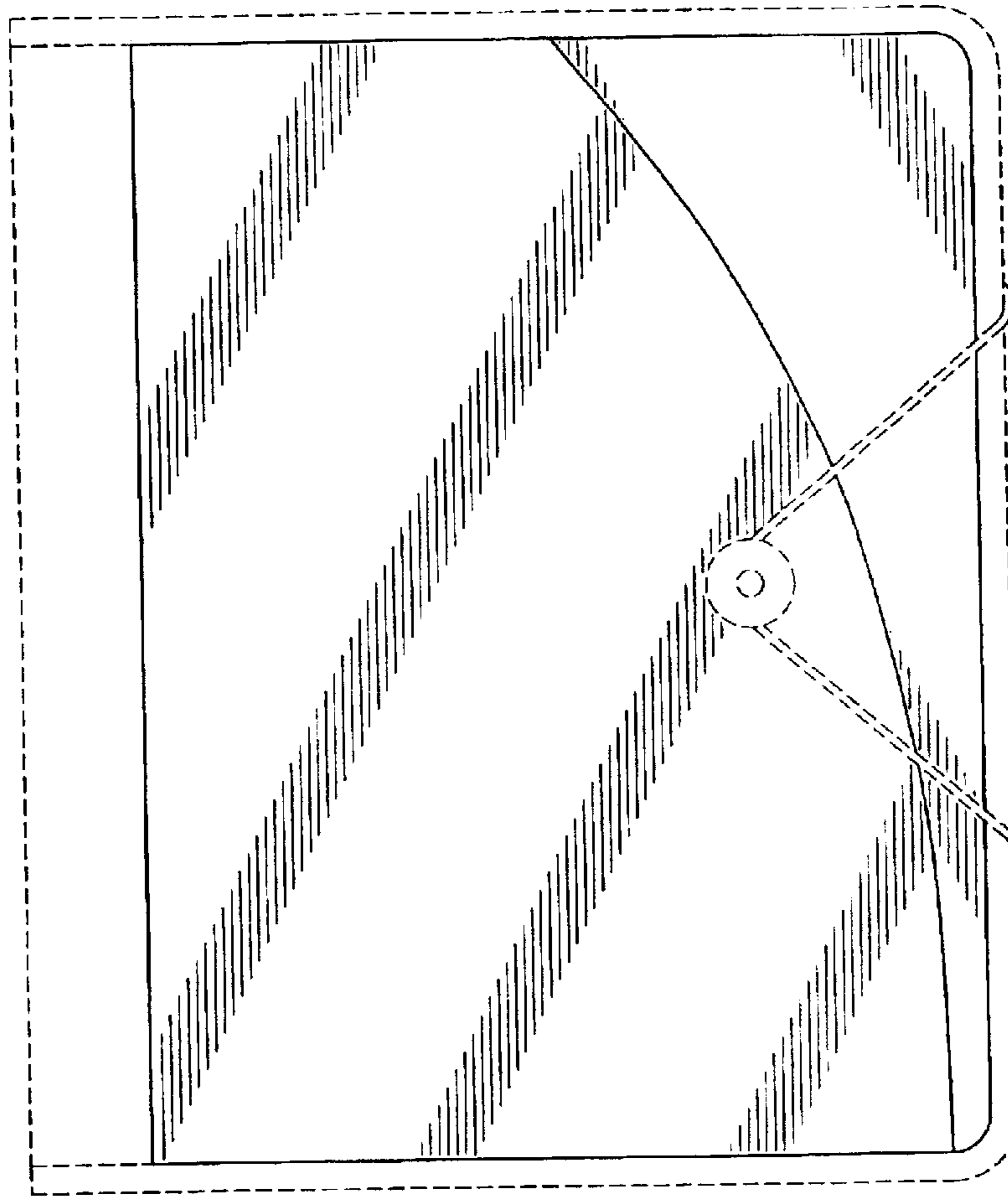


FIG. 2

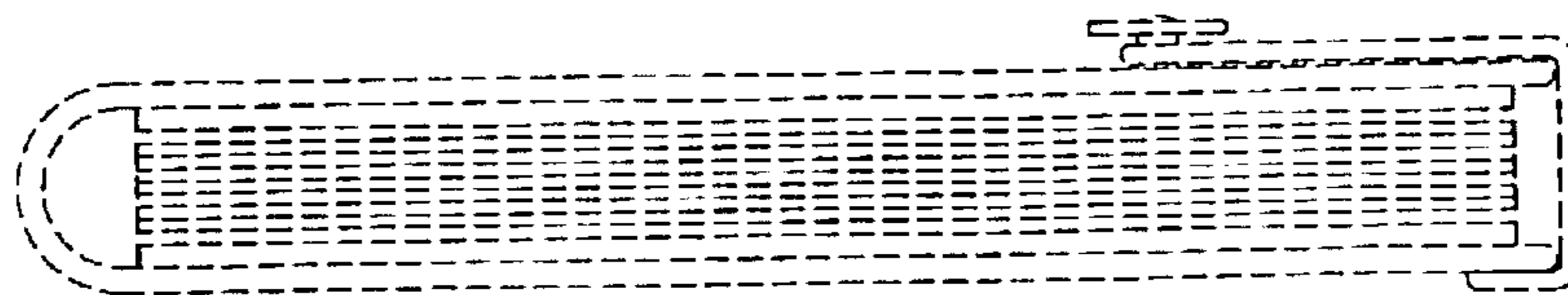


FIG. 3

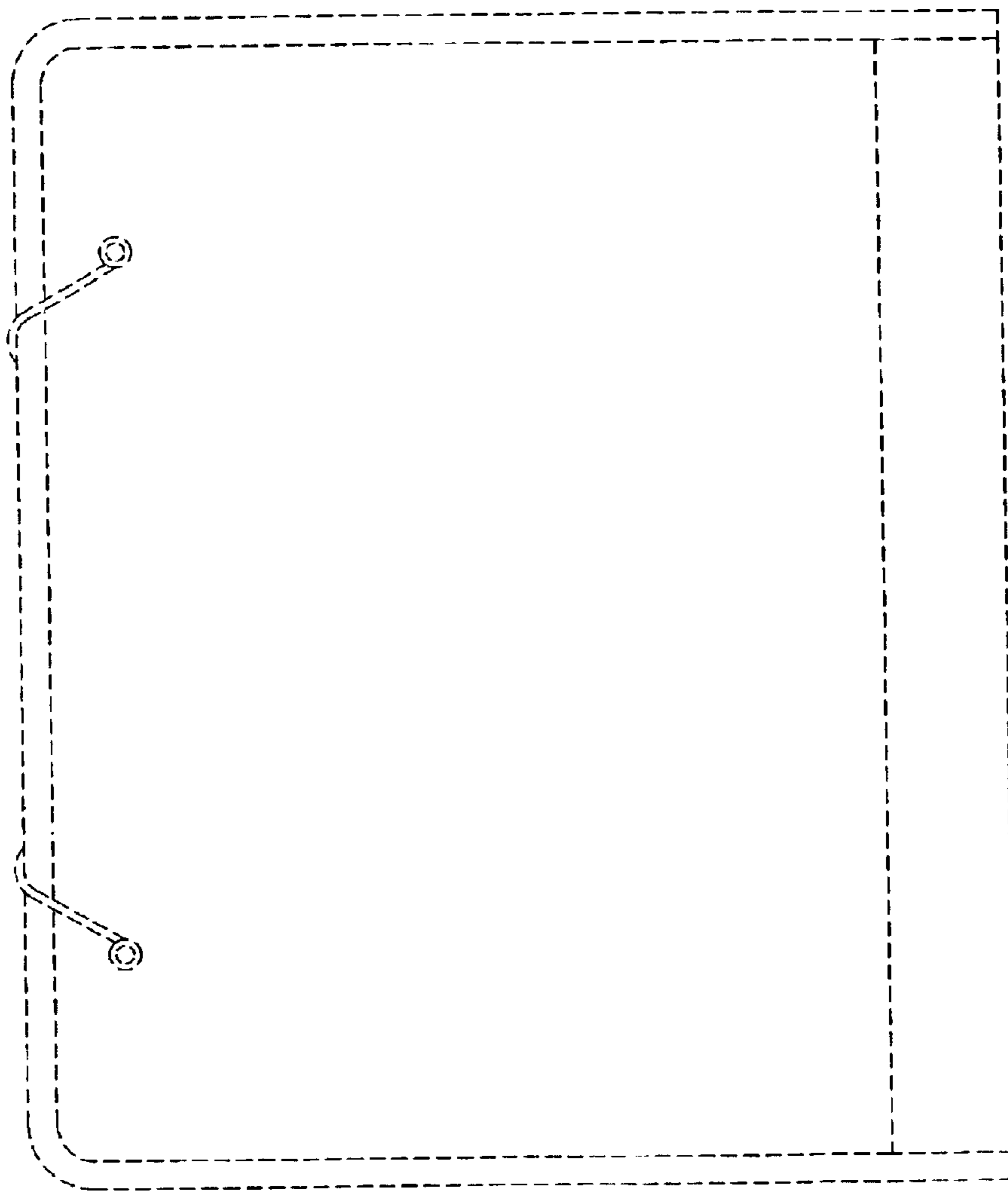


FIG. 4

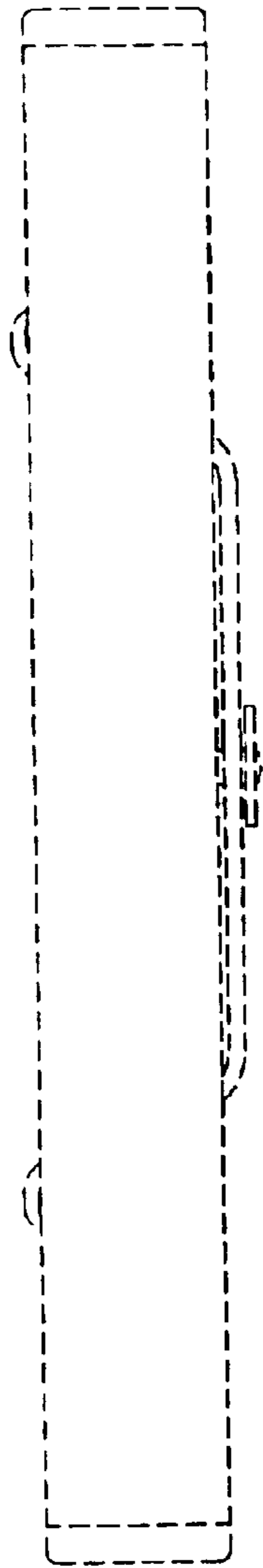


FIG. 5

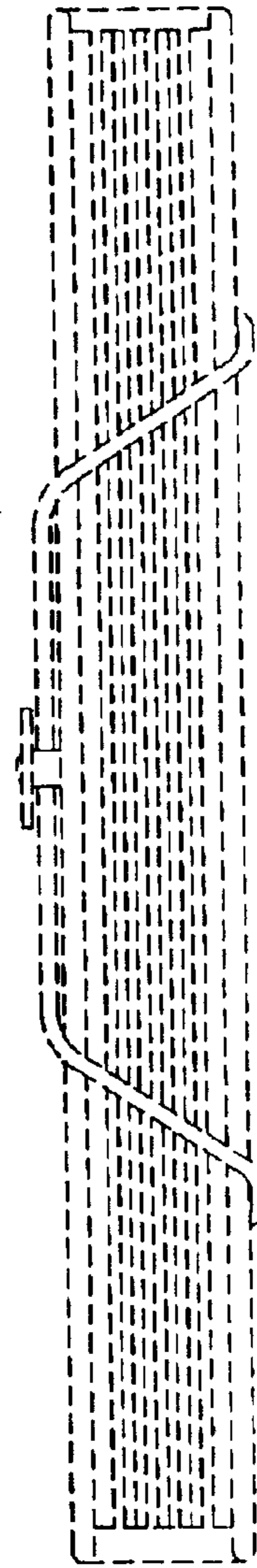


FIG. 6