

US00D499759S

(12) **United States Design Patent**
Kobayashi et al.

(10) **Patent No.:** **US D499,759 S**

(45) **Date of Patent:** **** Dec. 14, 2004**

(54) **PRINTER**

(75) Inventors: **Makoto Kobayashi, Nagano-ken (JP);**
Hiroto Miyauchi, Nagano-ken (JP);
Takeo Kishida, Nagano-ken (JP)

(73) Assignee: **Seiko Epson Corporation, Tokyo (JP)**

(**) Term: **14 Years**

(21) Appl. No.: **29/172,376**

(22) Filed: **Dec. 11, 2002**

(30) **Foreign Application Priority Data**

Jun. 12, 2002 (JP) 2002-015816

(51) **LOC (7) Cl.** **14-02**

(52) **U.S. Cl.** **D18/55**

(58) **Field of Search** D18/50, 53, 54,
D18/55, 36-39; D14/420, 421, 422, 425,
462-470; 400/691-694, 690.1-690.4, 613,
613.1-613.4

(56) **References Cited**

U.S. PATENT DOCUMENTS

D400,918 S * 11/1998 Kobayashi et al. D18/55

D430,894 S * 9/2000 Inoue D18/54
D466,920 S * 12/2002 Kawahara et al. D18/50
D468,765 S * 1/2003 Kobayashi et al. D18/55
D474,806 S * 5/2003 Yamano et al. D18/55
D479,264 S * 9/2003 Suzuki et al. D18/55

* cited by examiner

Primary Examiner—Cathy Anne MacCormac

(74) *Attorney, Agent, or Firm*—Sughrue Mion, PLLC

(57) **CLAIM**

The ornamental design for a printer, as shown and described.

DESCRIPTION

FIG. 1 is a perspective view of the top, front and right side of a printer showing our new design;
FIG. 2 is a front elevational view thereof;
FIG. 3 is a rear elevational view thereof;
FIG. 4 is a right side elevational view thereof;
FIG. 5 is a left side elevational view thereof;
FIG. 6 is a top plan view thereof;
FIG. 7 is a bottom plan view thereof; and,
FIG. 8 is a perspective view similar to FIG. 1 with the paper receiving tray in the open extended condition.

1 Claim, 5 Drawing Sheets

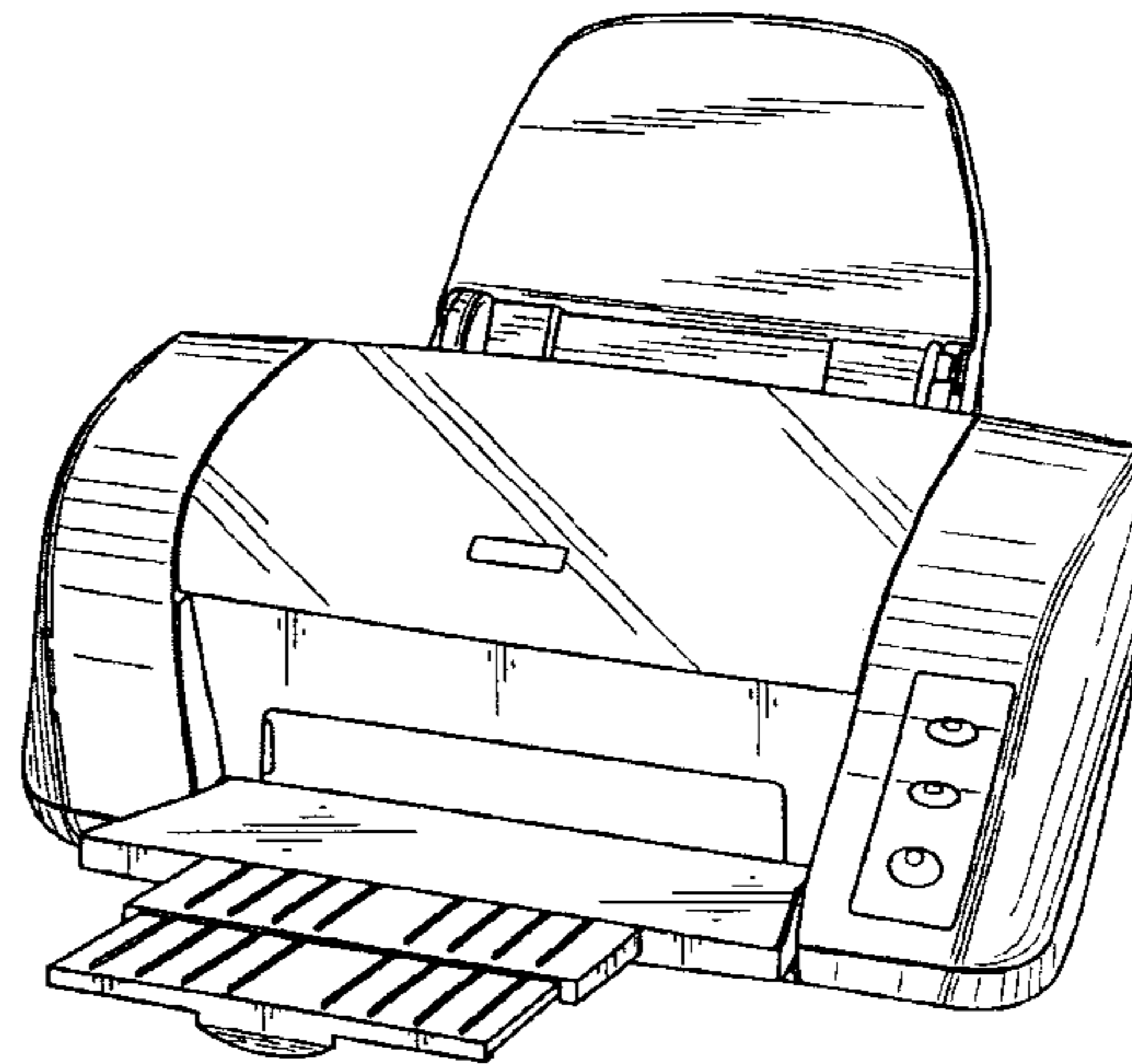
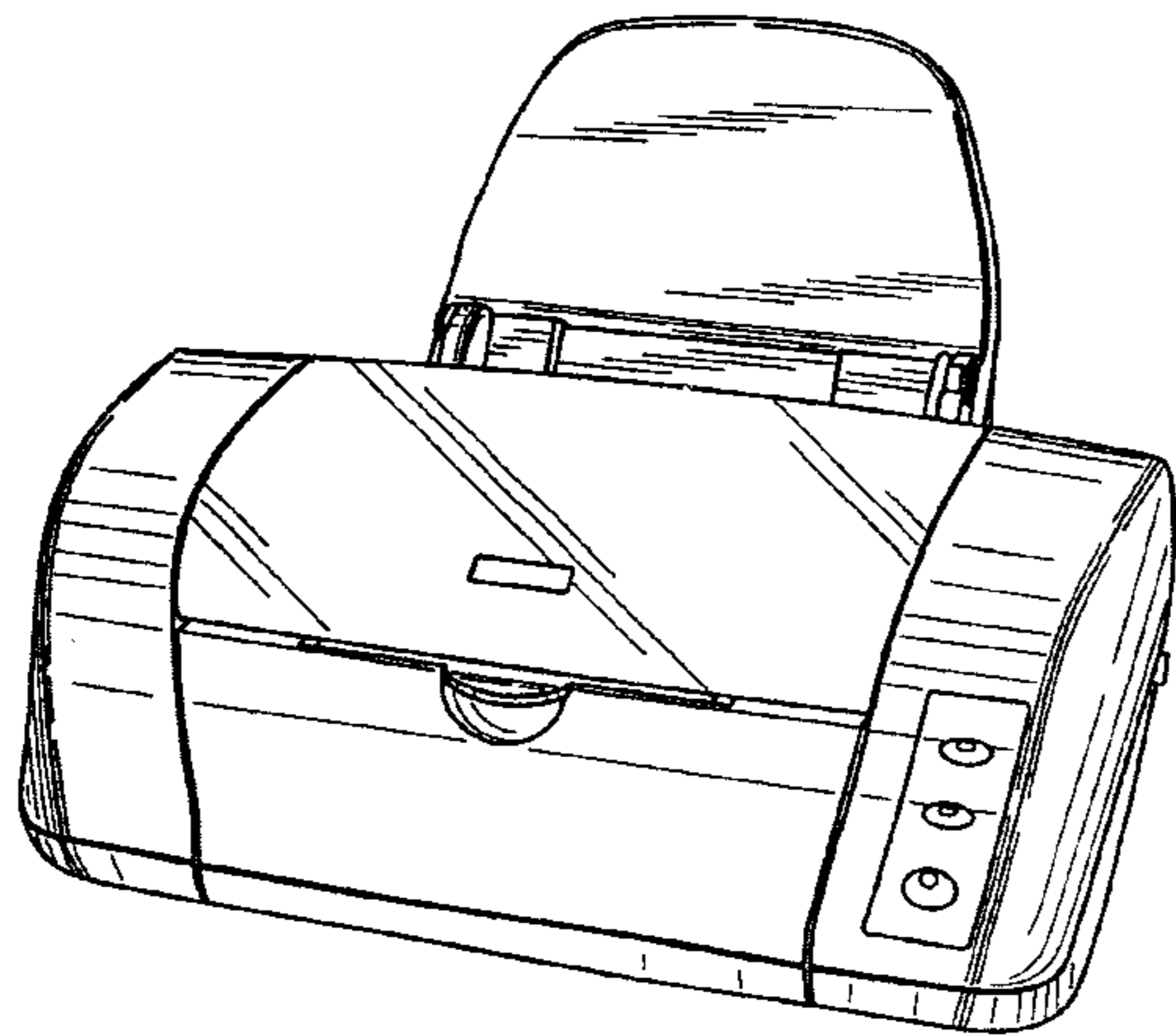


FIG. 1

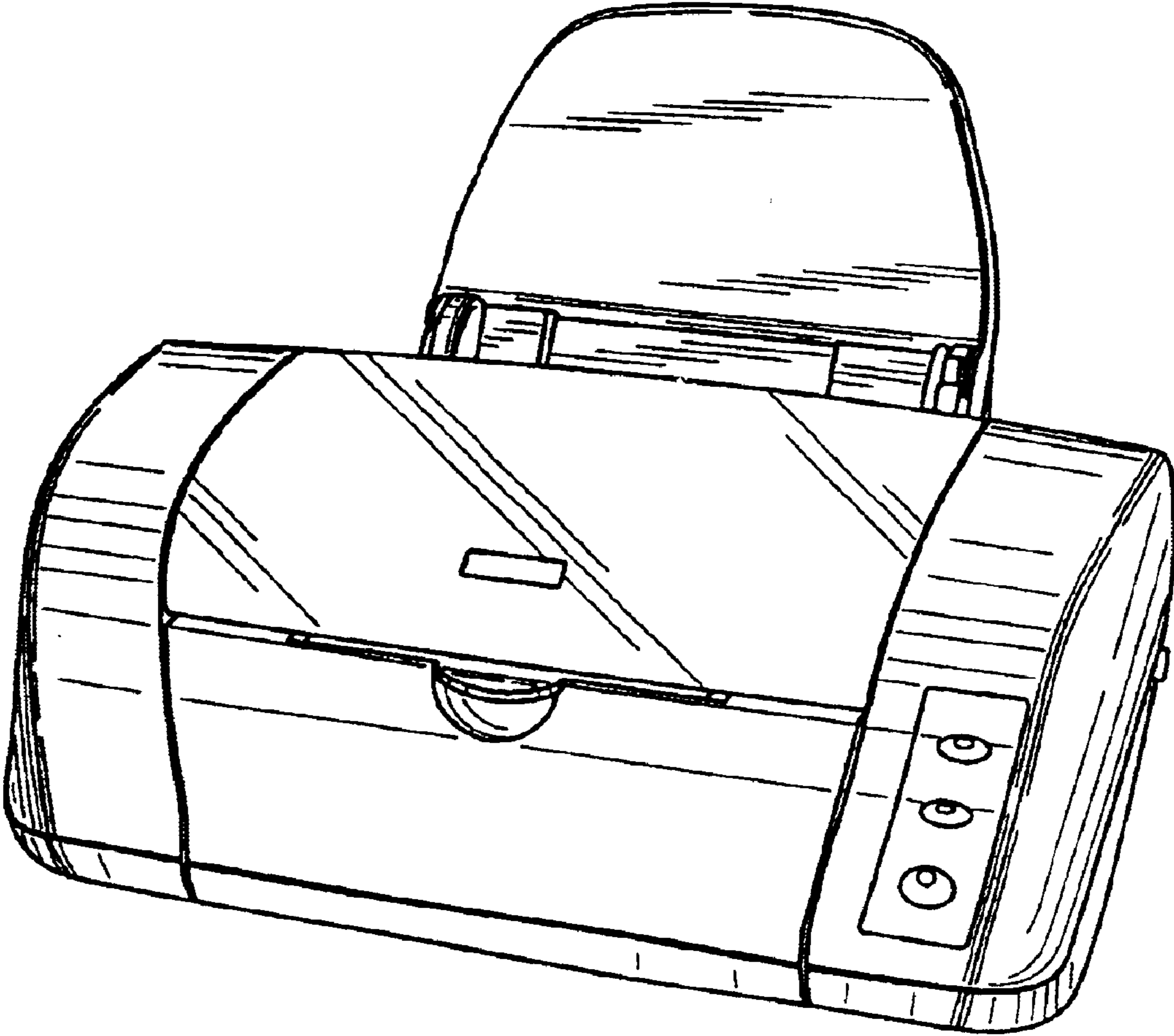


FIG. 2

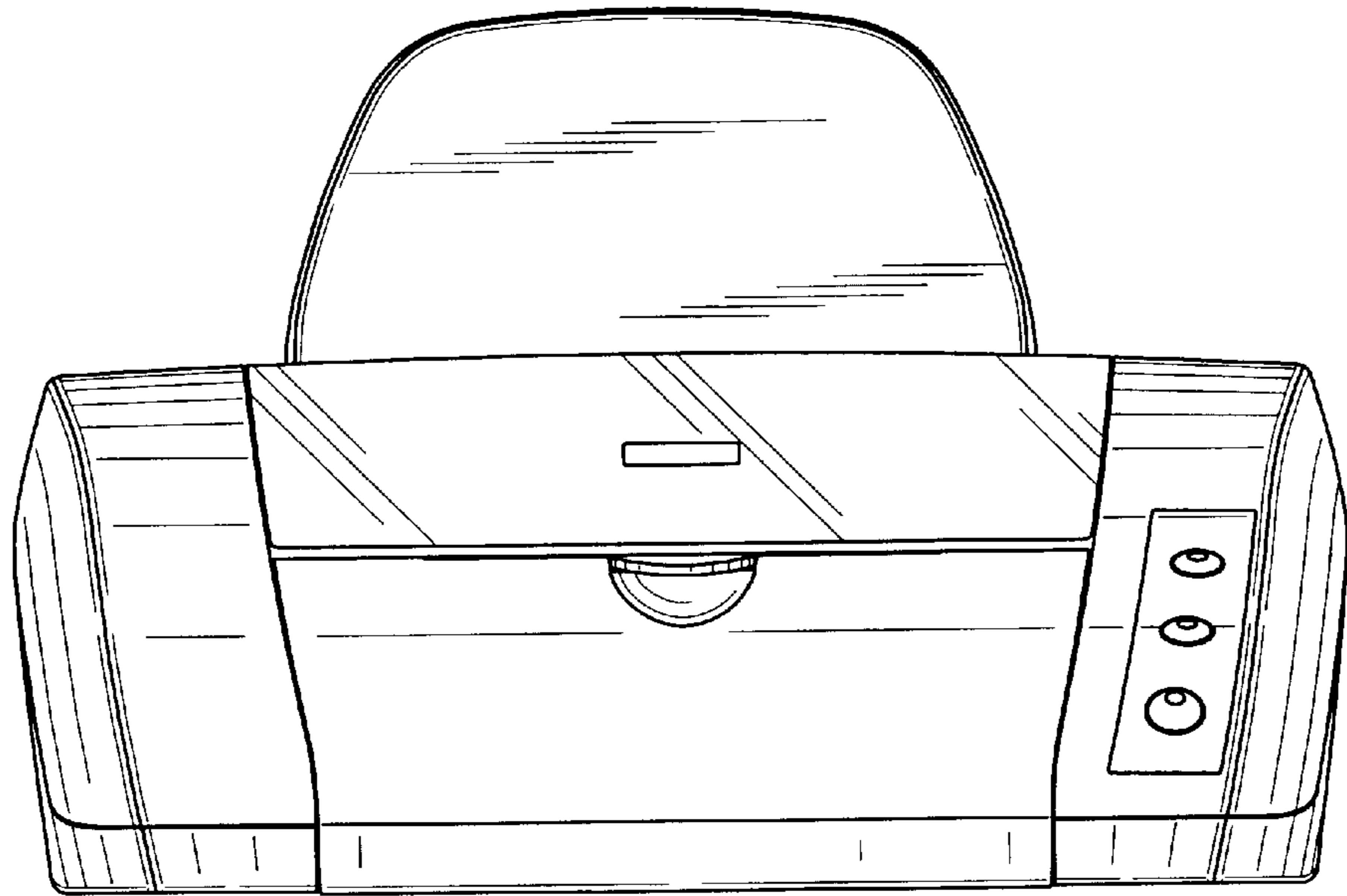


FIG. 3

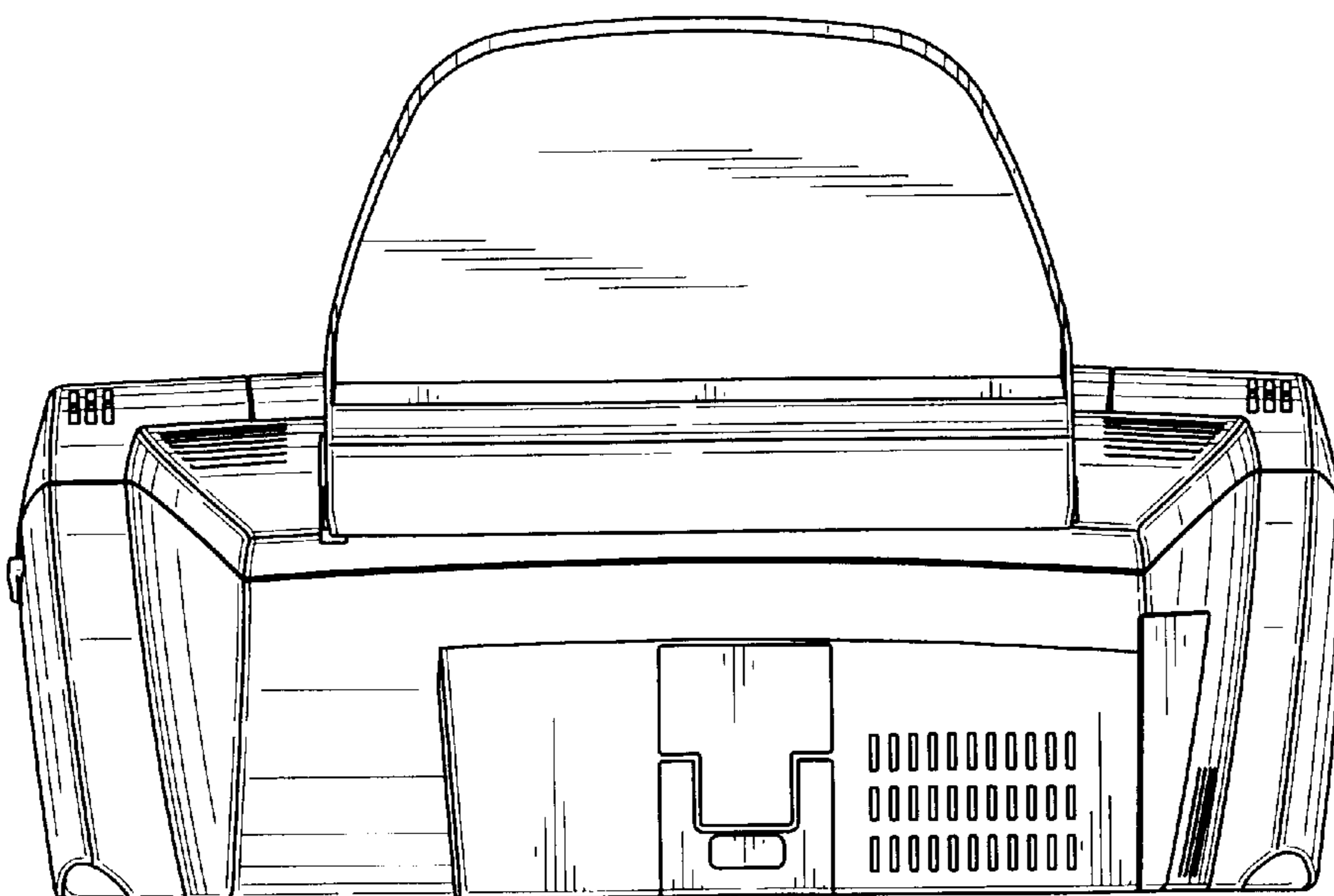


FIG. 4

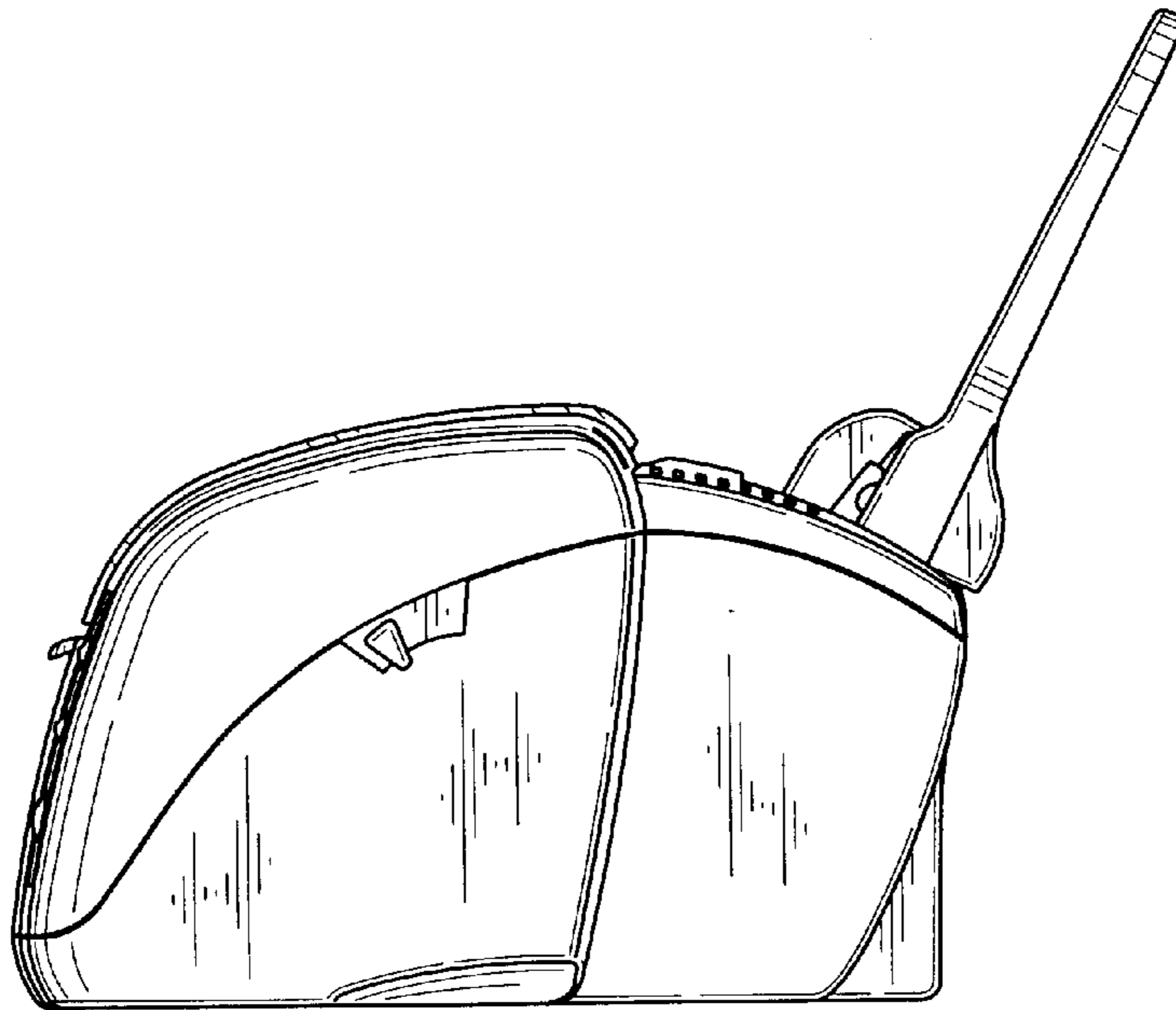


FIG. 5

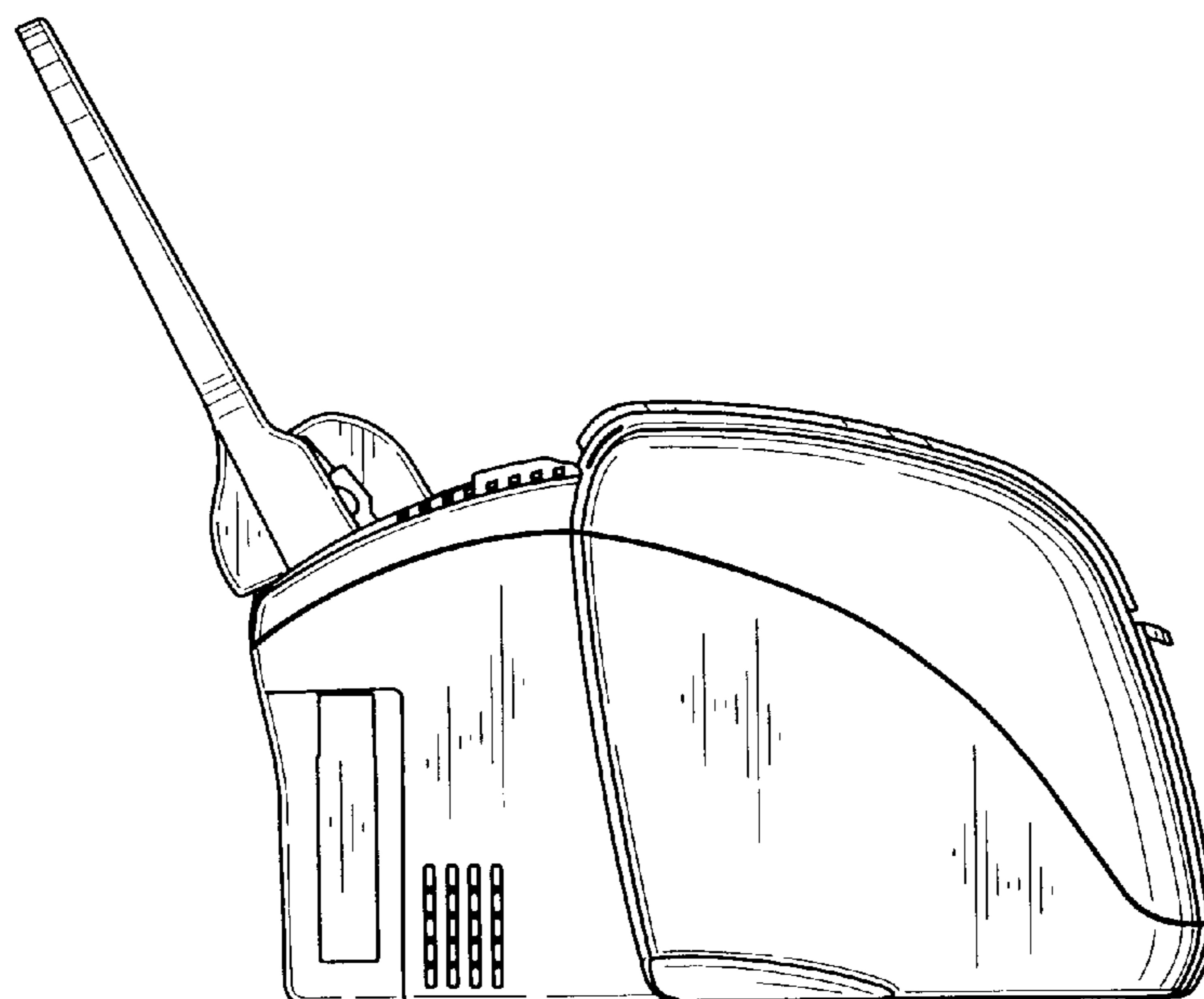


FIG. 6

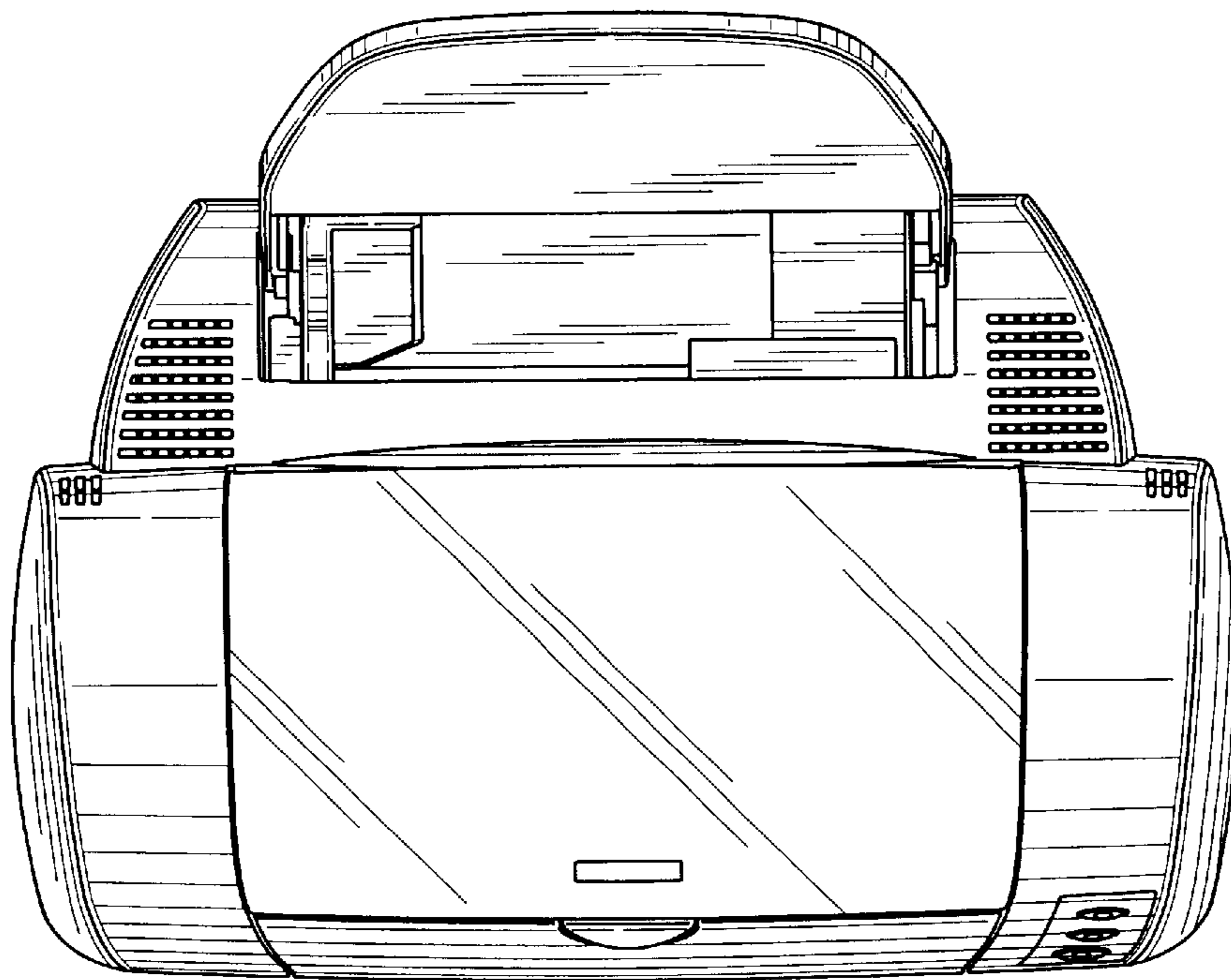


FIG. 7

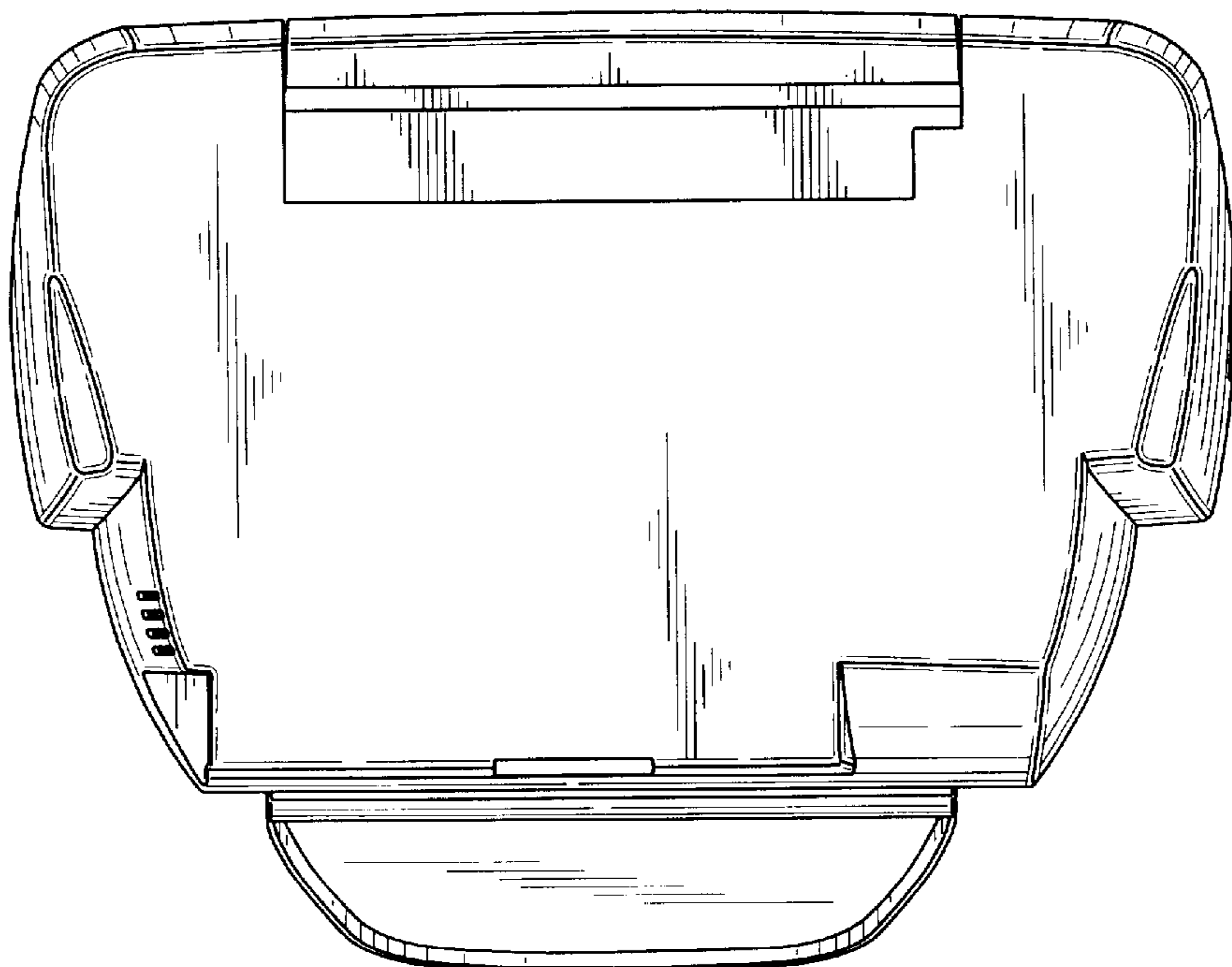


FIG. 8

