

US00D499755S

(12) **United States Design Patent**
Ohno

(10) **Patent No.:** **US D499,755 S**

(45) **Date of Patent:** **** Dec. 14, 2004**

(54) **ELECTRONIC PIANO**

(75) **Inventor:** **Masaharu Ohno, Shizuoka (JP)**

(73) **Assignee:** **Yamaha Corporation, Shizuoka (JP)**

(**) **Term:** **14 Years**

(21) **Appl. No.:** **29/188,999**

(22) **Filed:** **Aug. 28, 2003**

(30) **Foreign Application Priority Data**

Mar. 11, 2003 (JP) 2003-006339

(51) **LOC (7) Cl.** **17-01**

(52) **U.S. Cl.** **D17/7**

(58) **Field of Search** D17/1, 2, 5-9,
D17/99; D21/409; 84/13, 172, 174, 177-180,
423 R, 719, 744, 659-661, 622; 446/143

(56) **References Cited**

U.S. PATENT DOCUMENTS

D256,130 S * 7/1980 Ohta D17/7
D260,528 S * 9/1981 Decker D17/8
D308,215 S * 5/1990 Katsuhara D17/7
D322,086 S * 12/1991 Yamawaki et al. D17/7

D324,531 S * 3/1992 Lee D17/7
D369,378 S * 4/1996 Okamura D17/7
D372,728 S * 8/1996 Mizushima D17/7
D382,006 S * 8/1997 Nakajima D17/7
D386,514 S * 11/1997 Nakada et al. D17/7

* cited by examiner

Primary Examiner—Ruth McInroy

Assistant Examiner—C Styles

(74) *Attorney, Agent, or Firm*—Sughrue Mion, PLLC

(57) **CLAIM**

The ornamental design for an electronic piano, as shown and described.

DESCRIPTION

FIG. 1 is a top, front and left side perspective view of an electronic piano showing my new design; FIG. 2 is a front elevational view thereof; FIG. 3 is a rear elevational view thereof; FIG. 4 is a right side elevational view thereof; FIG. 5 is a left side elevational view thereof; FIG. 6 is a top plan view thereof; and FIG. 7 is a bottom plan view thereof; and, FIG. 8 is a view similar to FIG. 2 in the closed position.

1 Claim, 5 Drawing Sheets

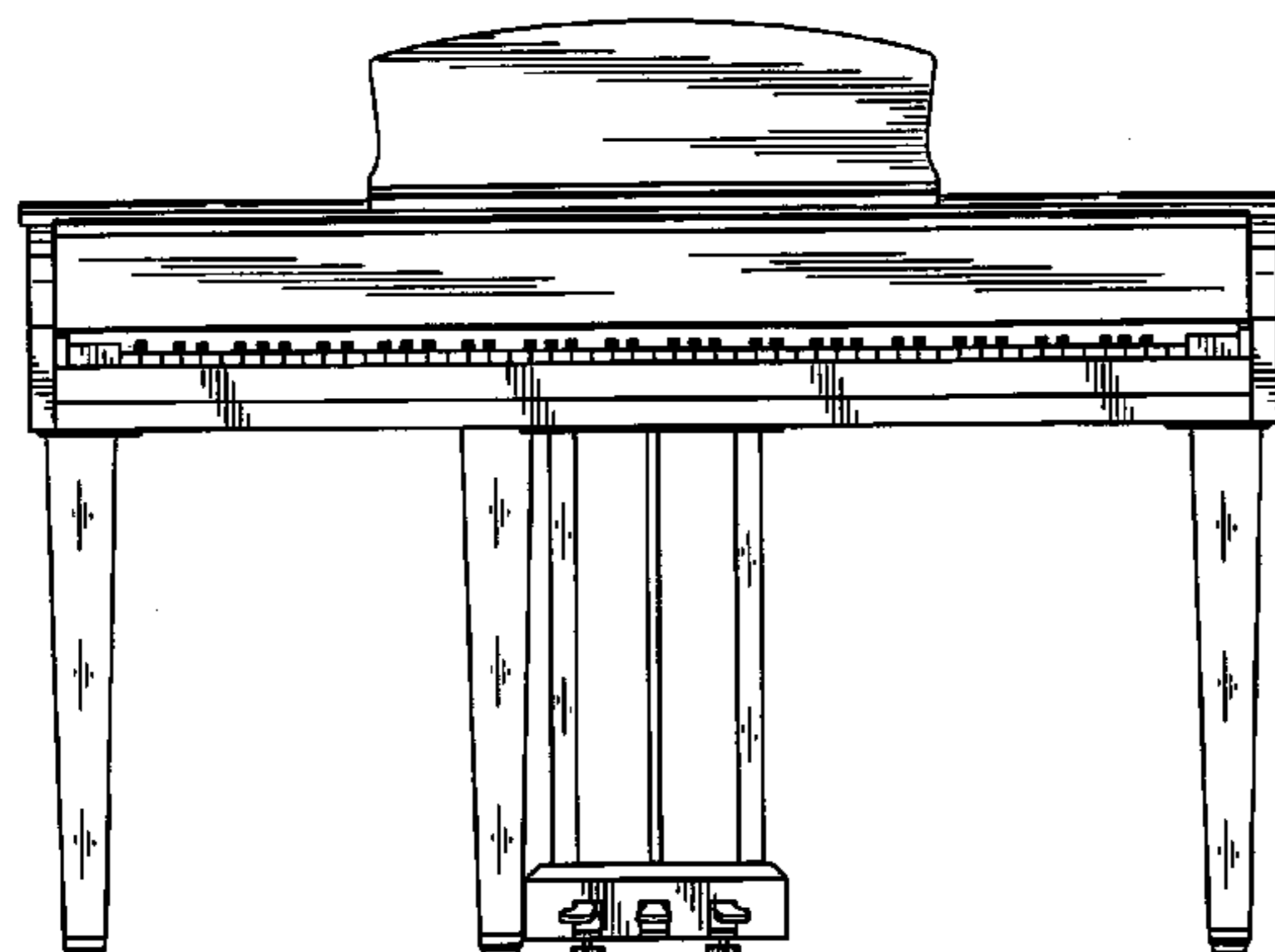
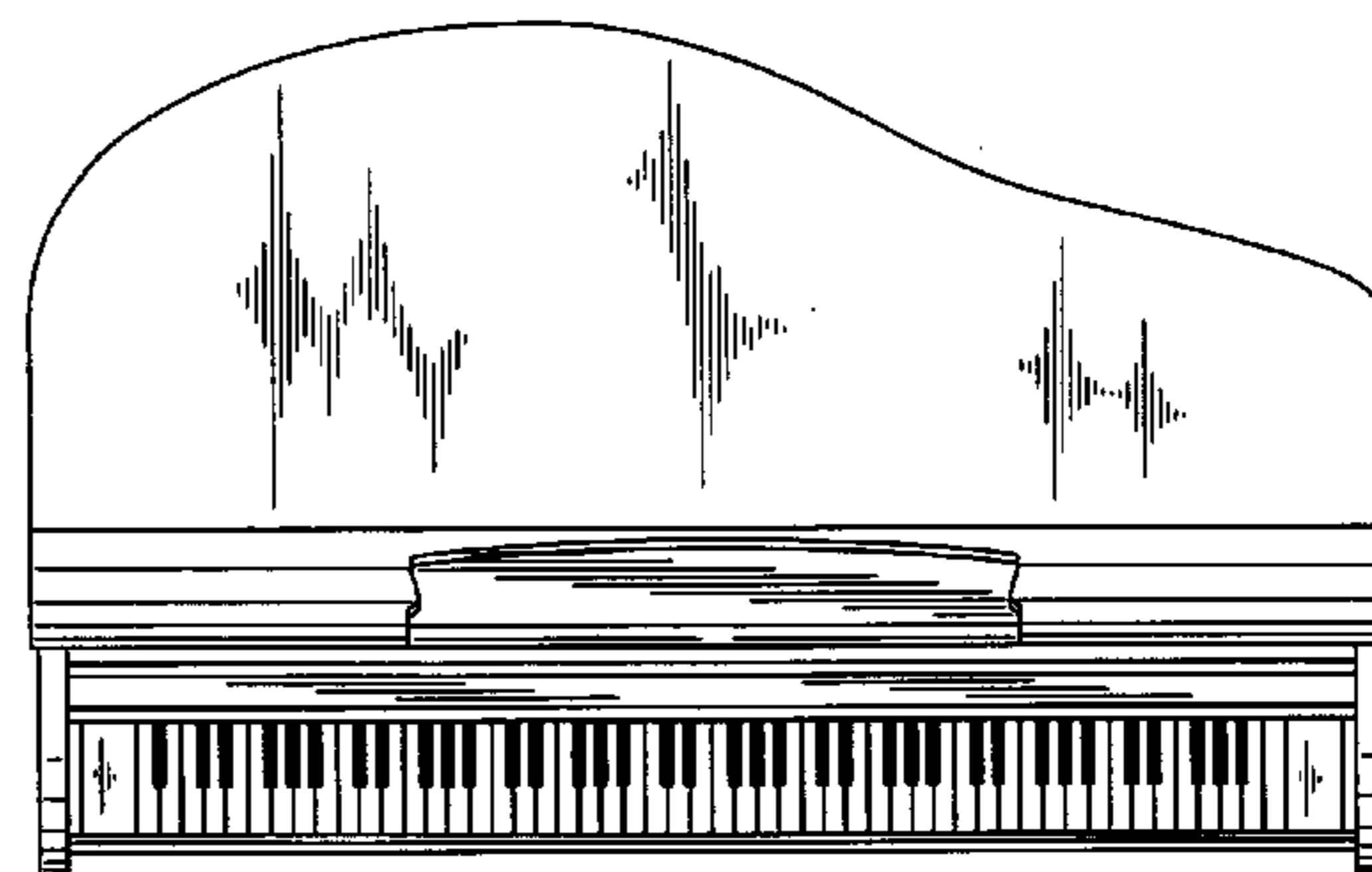
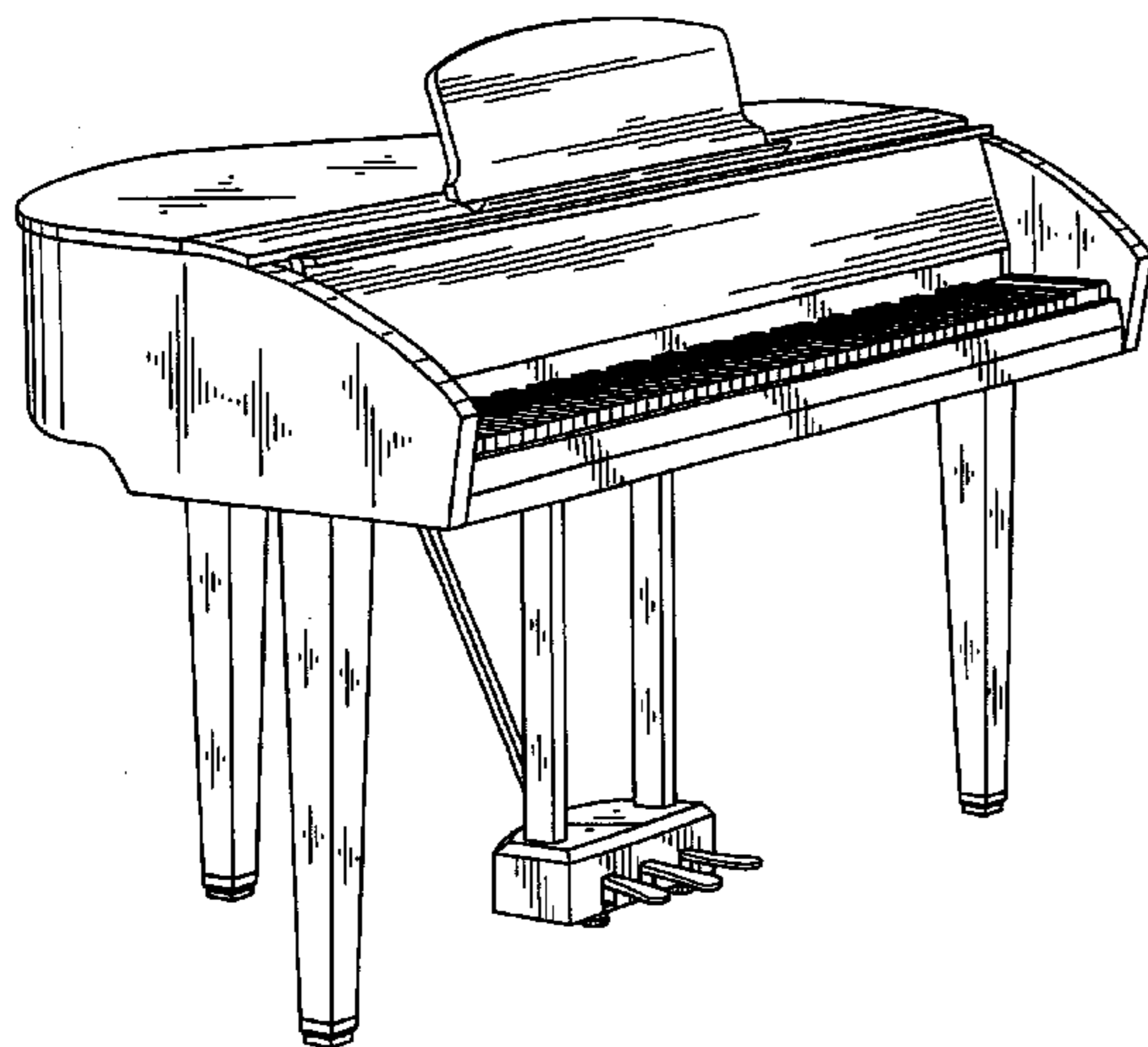


FIG. 1

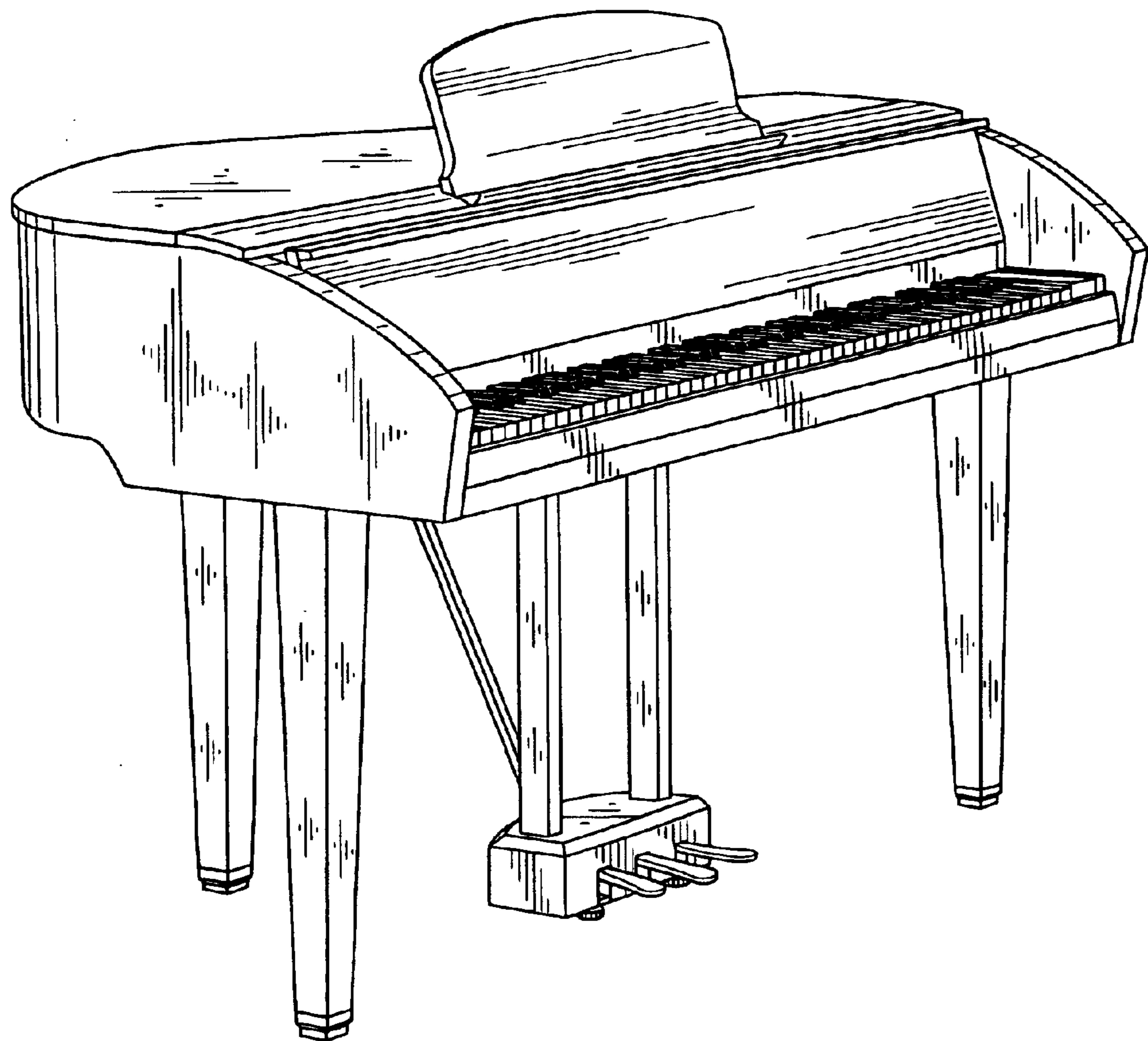


FIG. 2

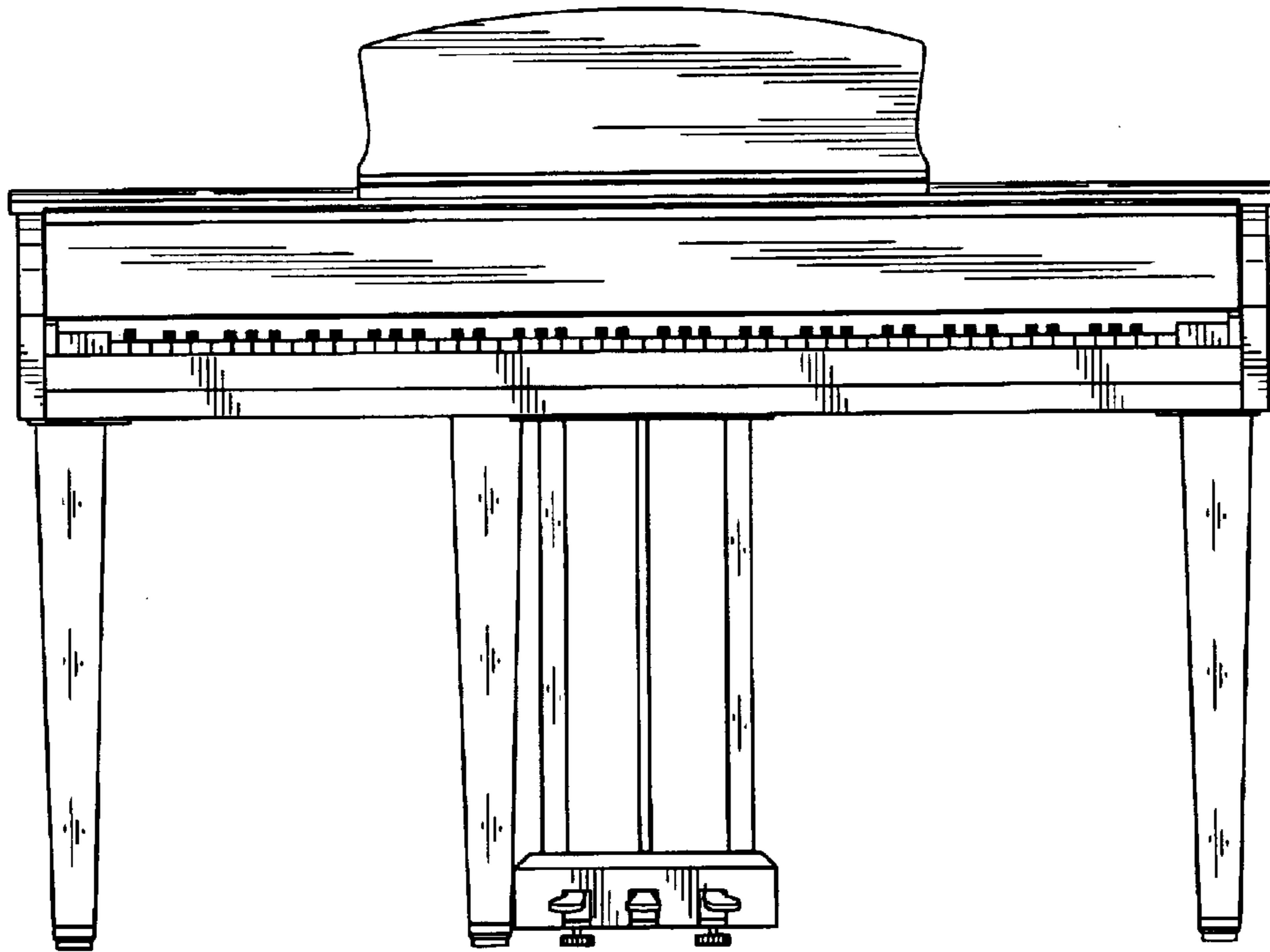


FIG. 3

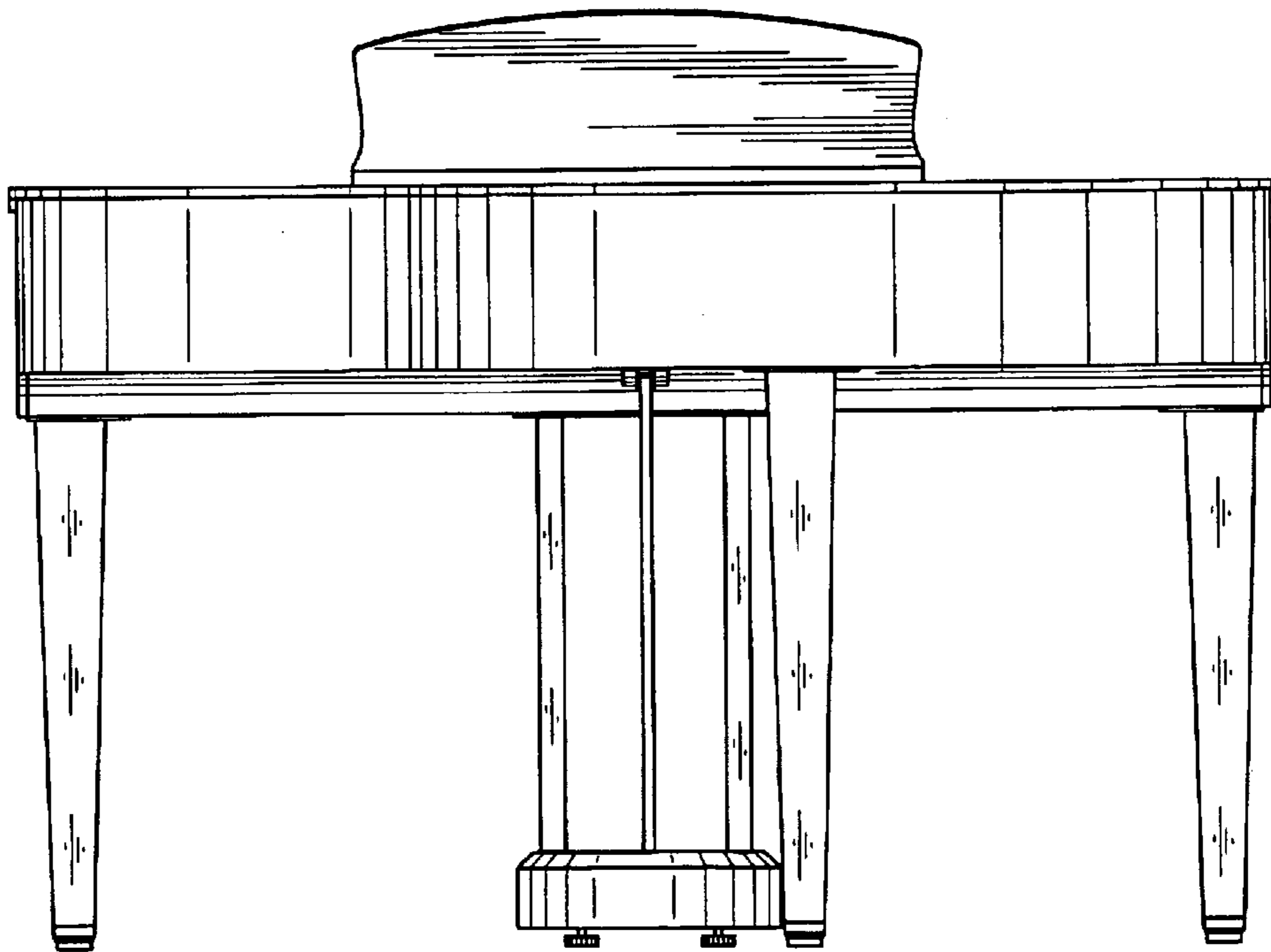


FIG. 4

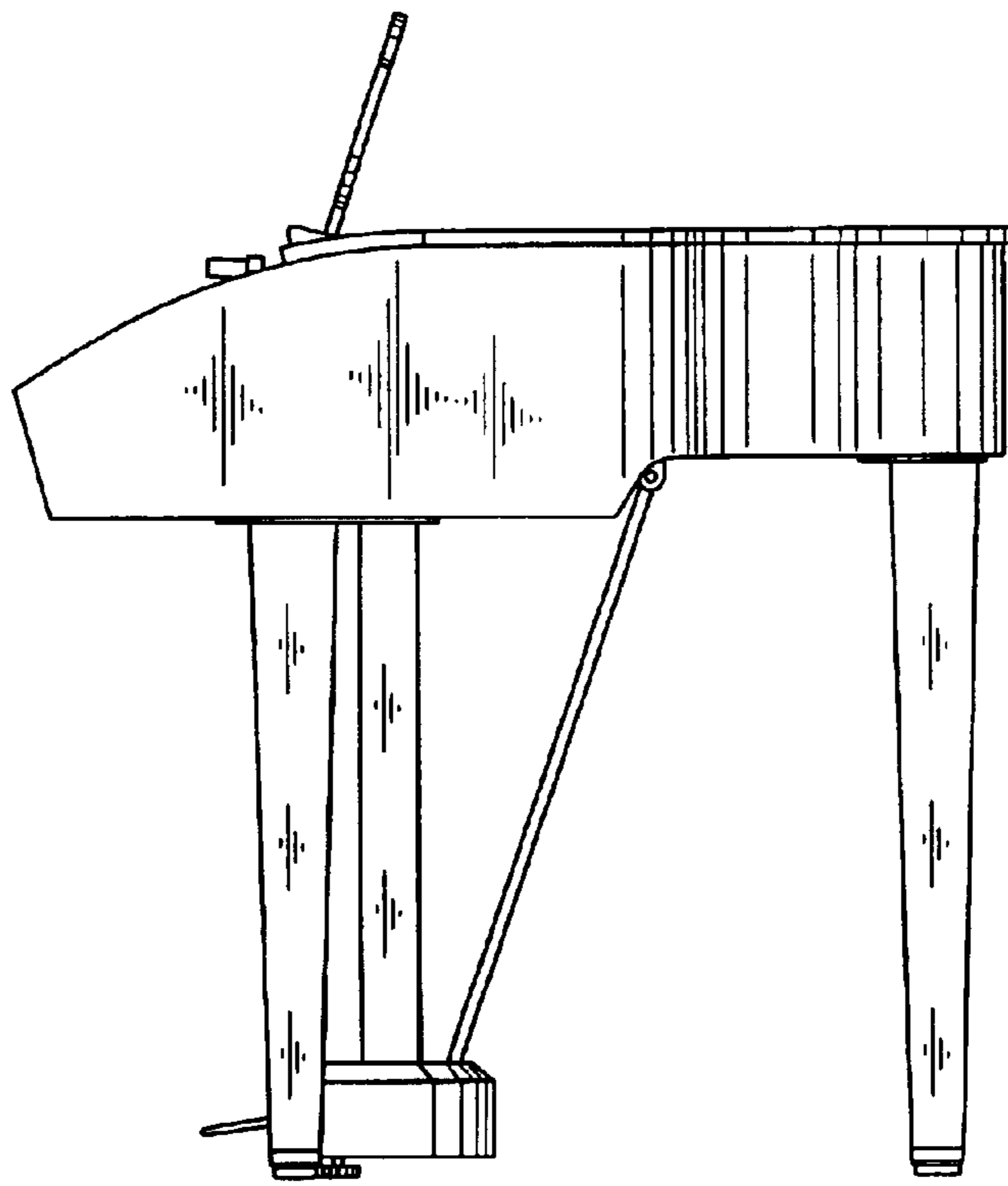


FIG. 5

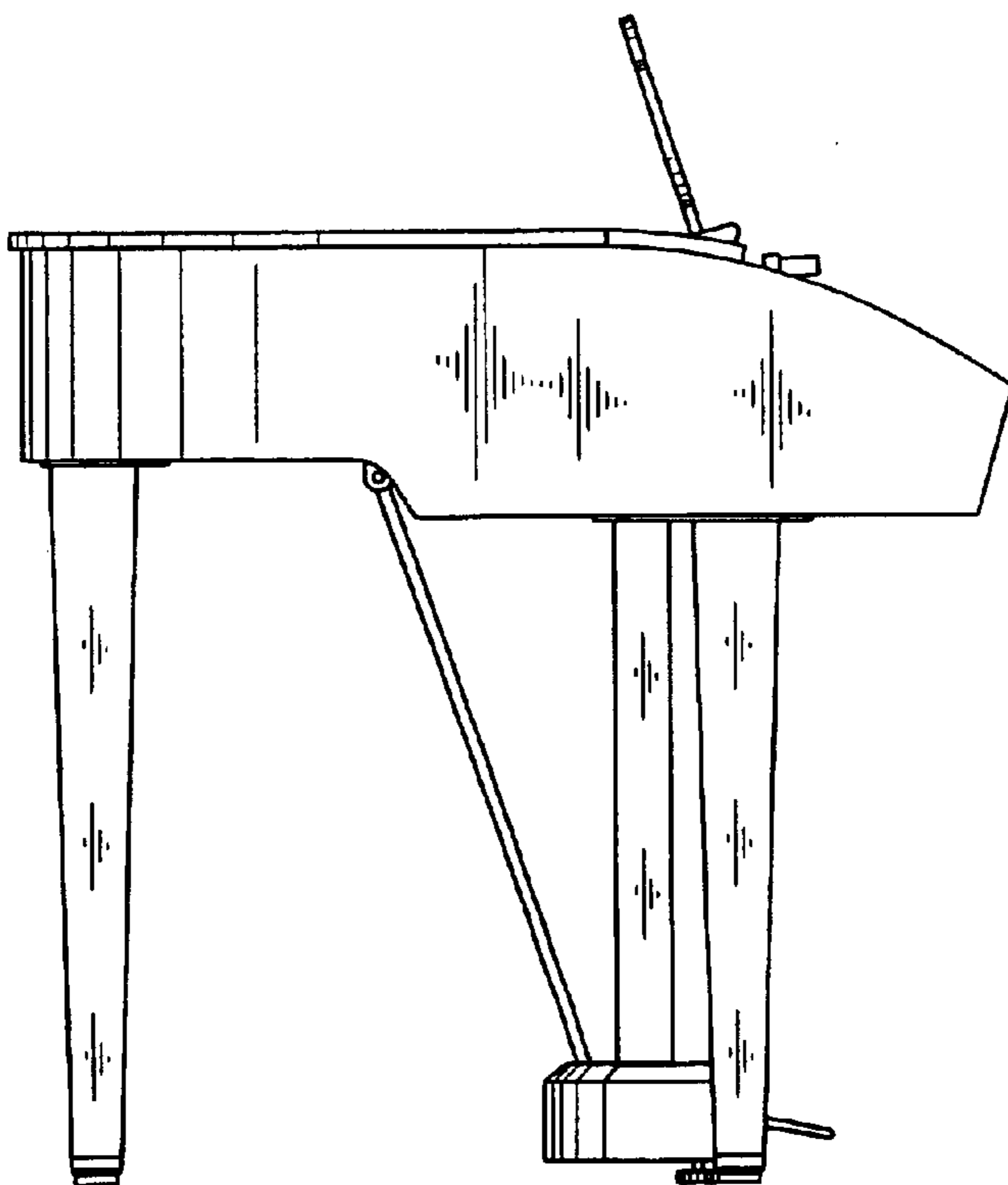


FIG. 6

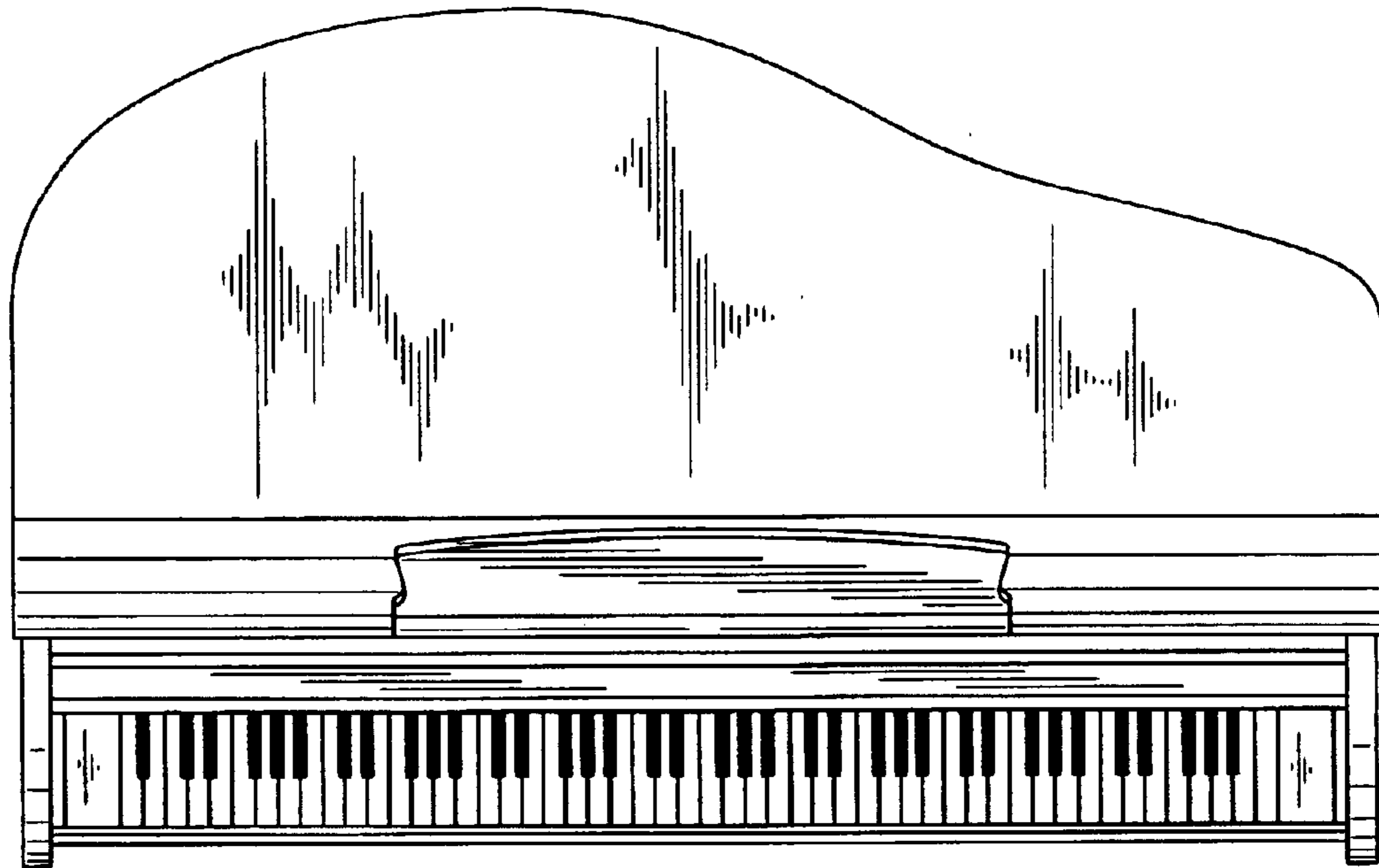


FIG. 7

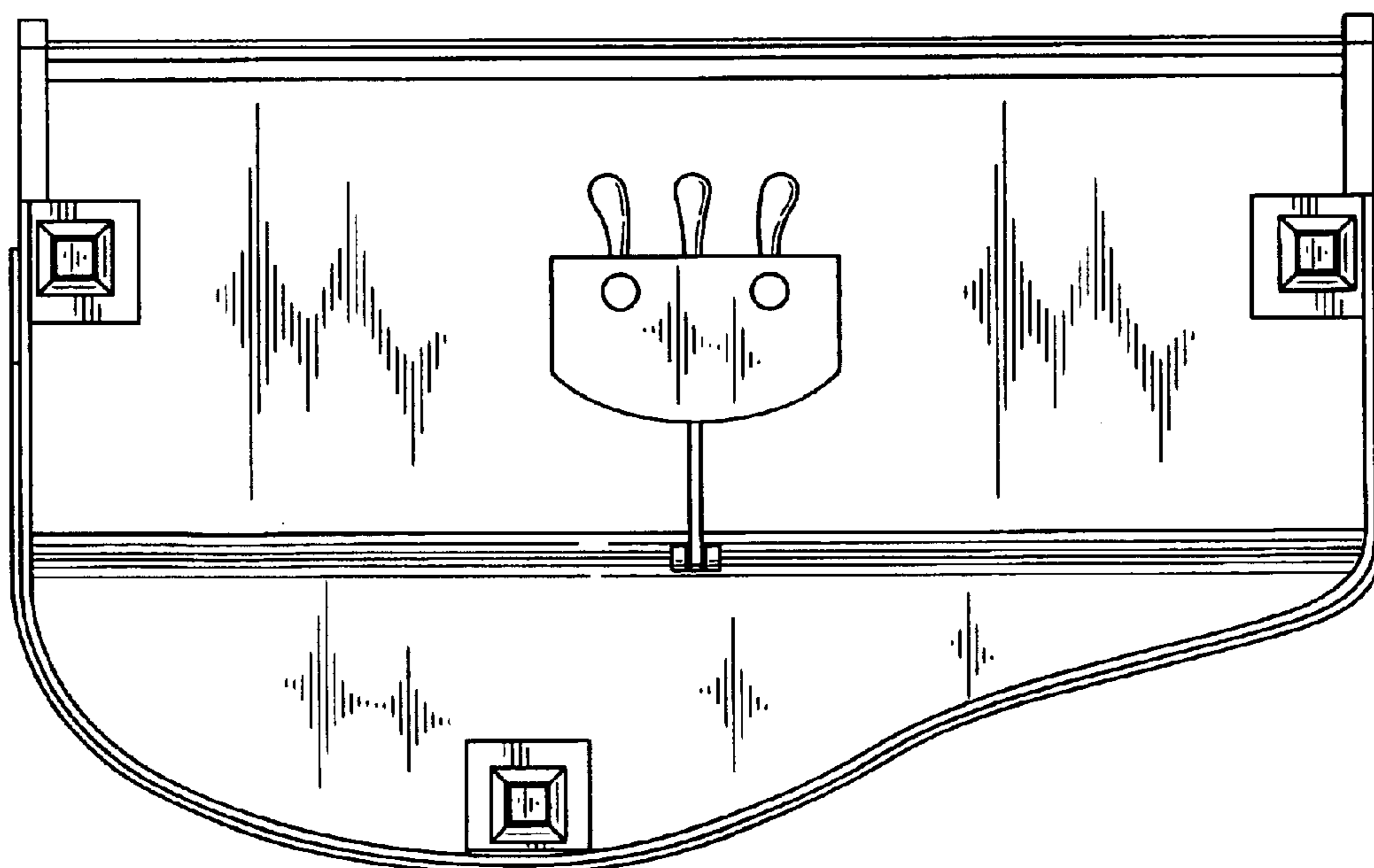


FIG. 8

