

US00D499754S

(12) **United States Design Patent**
Willis

(10) **Patent No.: US D499,754 S**

(45) **Date of Patent: ** Dec. 14, 2004**

(54) **MUSIC KEYBOARD WORKSTATION**

6,268,806 B1 * 7/2001 Frager et al. 341/22

(76) **Inventor: Raymon A. Willis**, 304 Woodblue Rd.,
Savannah, GA (US) 31410

* cited by examiner

(**) **Term: 14 Years**

Primary Examiner—Ruth McInroy

(74) *Attorney, Agent, or Firm*—Jim Zegeer

(21) **Appl. No.: 29/157,774**

(57) **CLAIM**

(22) **Filed: Mar. 26, 2002**

The ornamental design for a music keyboard workstation, as shown and described.

(51) **LOC (7) Cl. 17-01**

DESCRIPTION

(52) **U.S. Cl. D17/1; D17/7**

(58) **Field of Search** D17/1-2, 5-7,
D17/9, 24, 99; D21/409, 324; 84/174, 175,
177, 180, 186.1, 172, 678, 423 R, 477 R-478,
DIG. 17, 170-171, 82, 719, 744, 645; 446/397,
143

FIG. 1 is a top and left side perspective view of a music keyboard workstation showing my new design, the right end being a mirror image;

FIG. 2 is a top perspective view thereof, showing the storage compartment lid in an open position and the keyboard shelf in an extended position;

FIG. 3 is a perspective view thereof, showing the open cover lid for providing access to computer equipment that is shown in broken lines; and,

FIG. 4 is a rear and right side perspective view thereof.

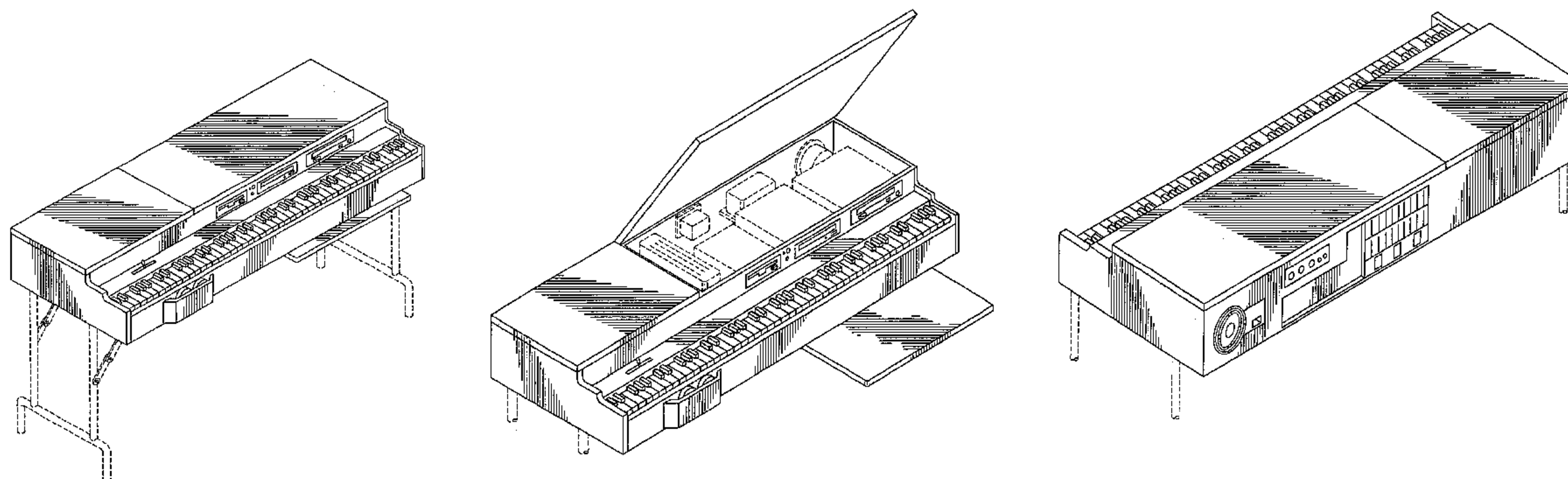
The details shown in broken lines form no part of the claimed design.

(56) **References Cited**

U.S. PATENT DOCUMENTS

D214,211 S	*	5/1969	Benson	D17/7
D220,548 S	*	4/1971	Ferris et al.	D17/7
4,419,921 A	*	12/1983	Simanski	84/467
D312,472 S	*	11/1990	Esslinger	D17/7
D372,728 S	*	8/1996	Mizushima	D17/7
D386,514 S	*	11/1997	Nakada et al.	D17/7

1 Claim, 4 Drawing Sheets



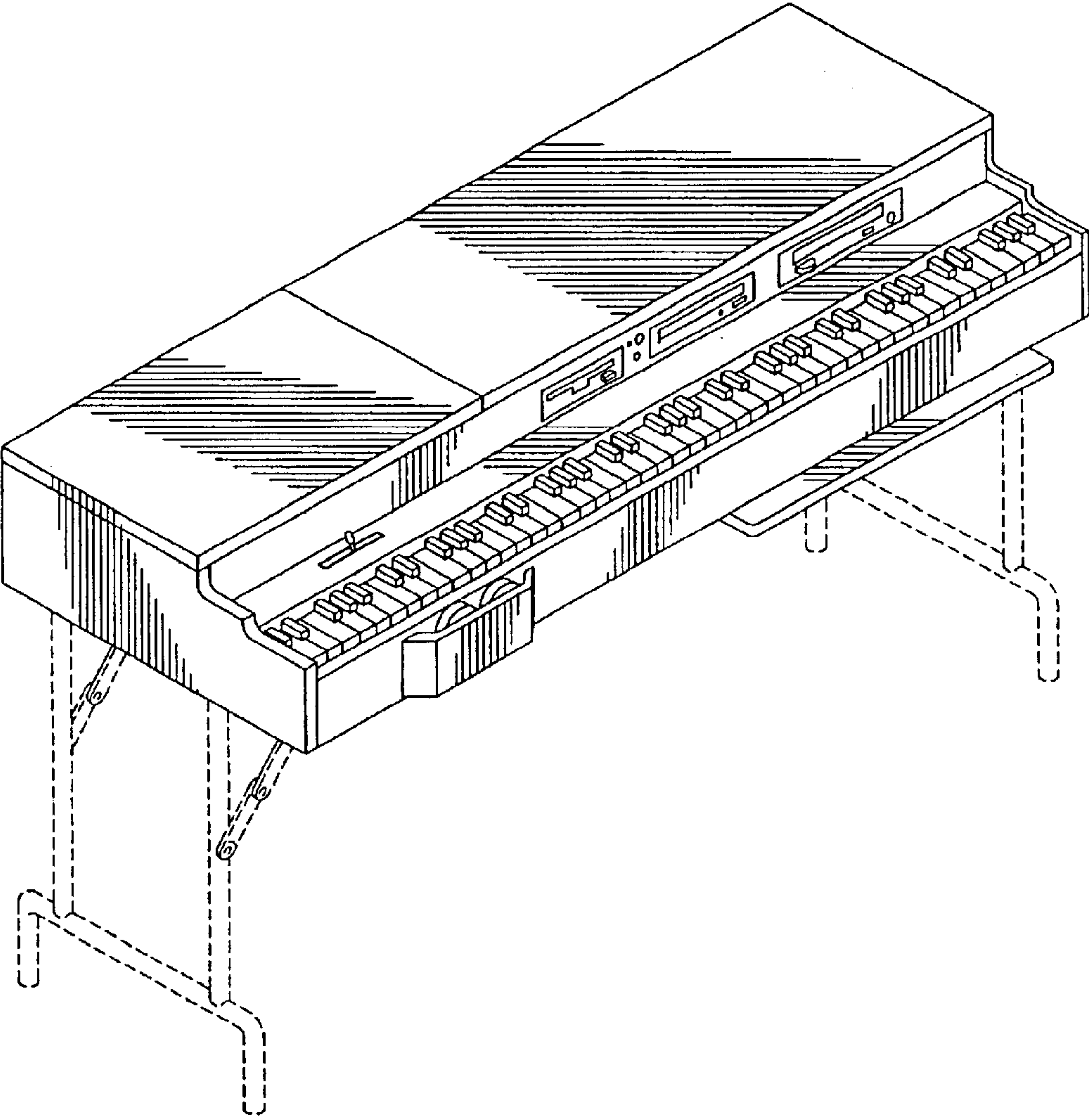


FIG. 1

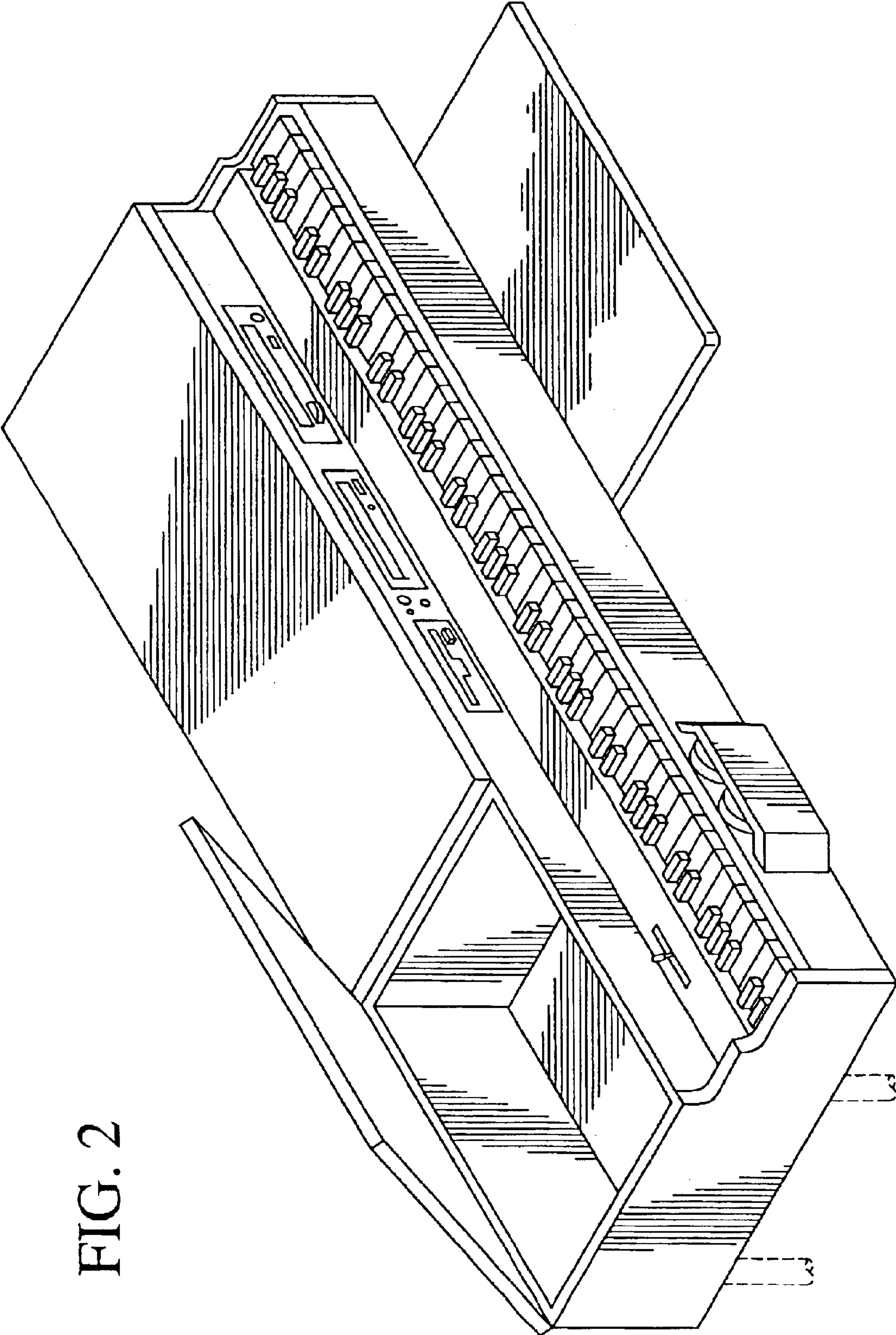


FIG. 2

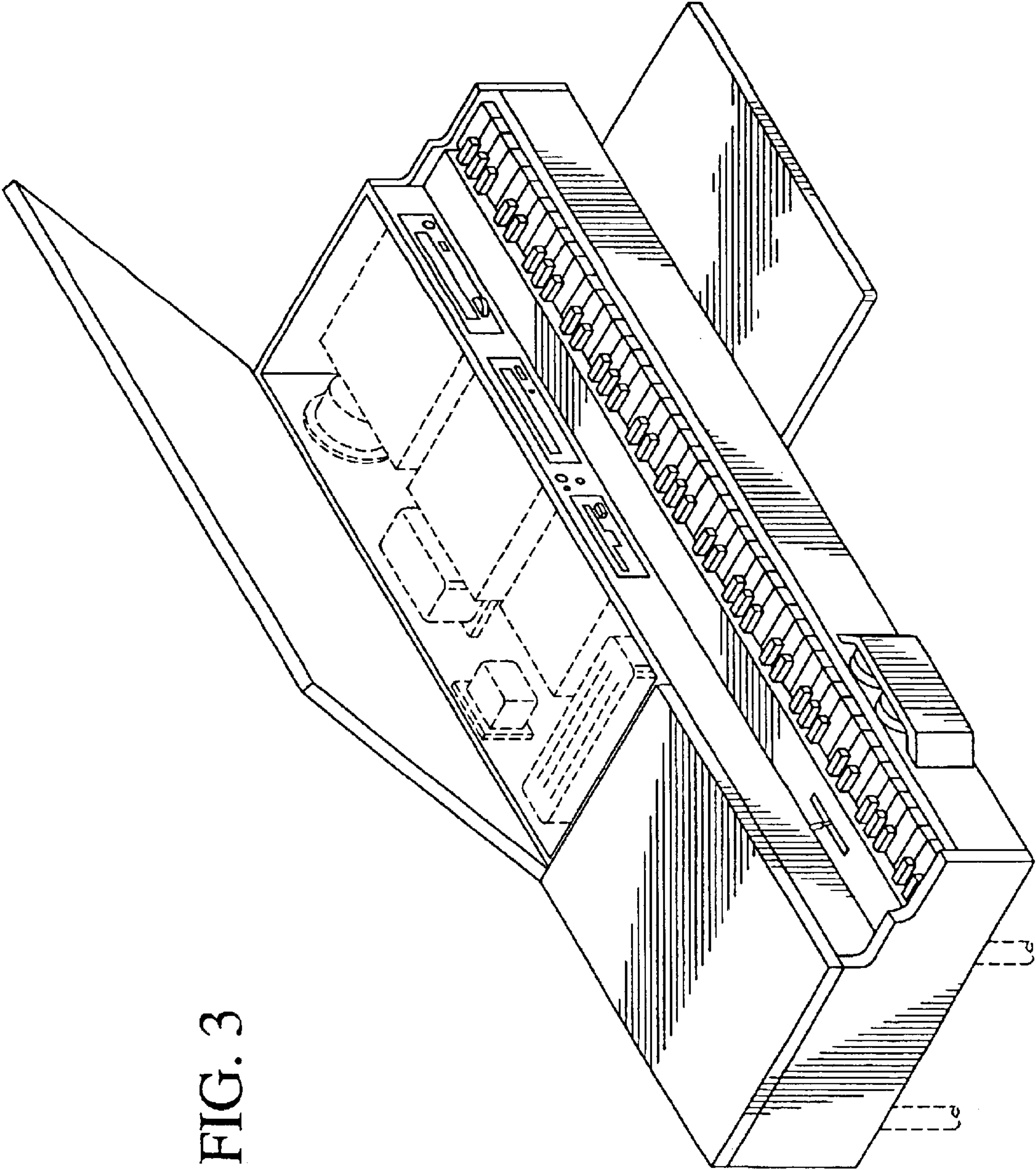


FIG. 3

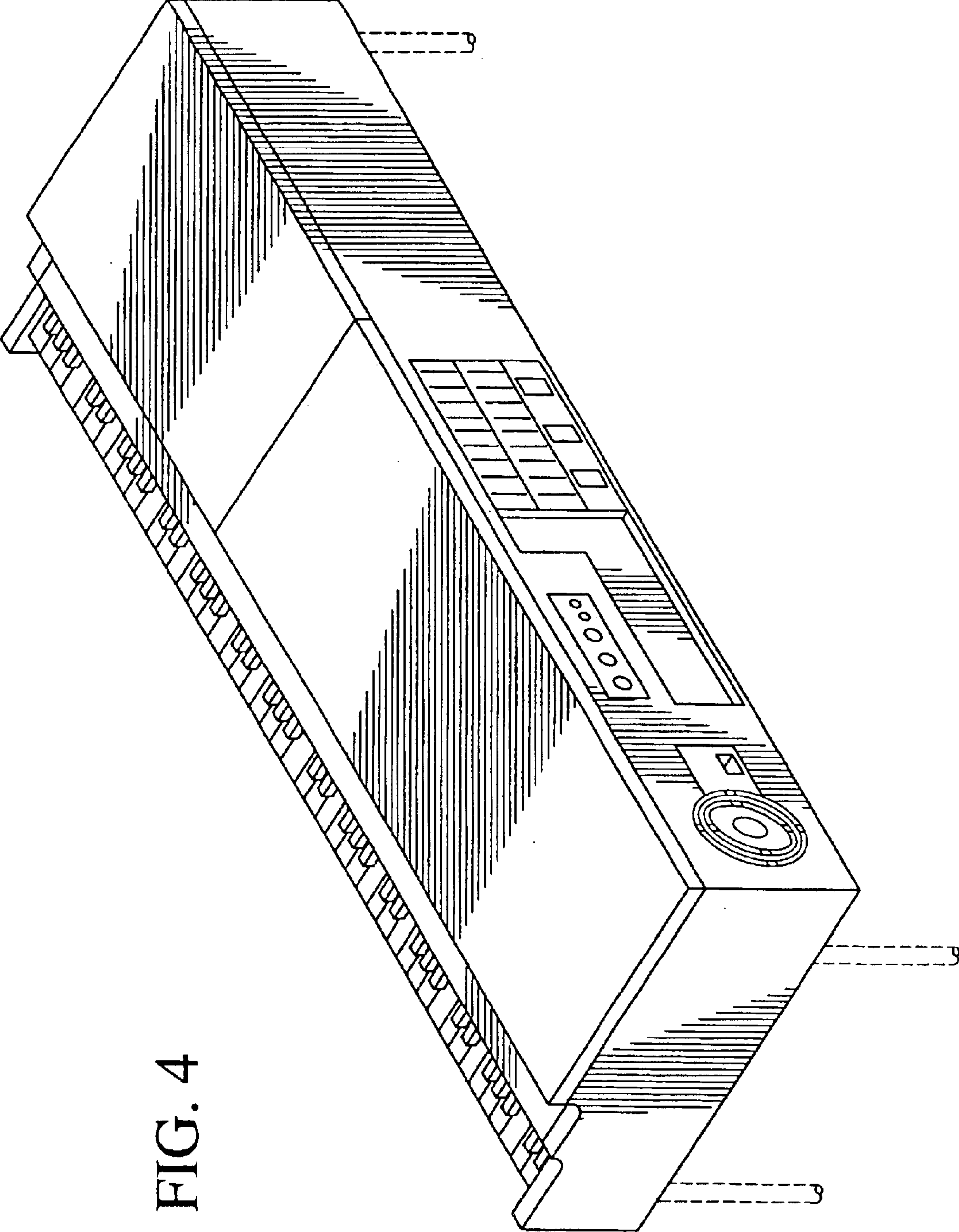


FIG. 4