

US00D499753S

(12) **United States Design Patent** (10) **Patent No.:** **US D499,753 S**
Shigemura et al. (45) **Date of Patent:** **** Dec. 14, 2004**

(54) **PROJECTOR**

(75) Inventors: **Atsushi Shigemura**, Tokyo (JP); **Yo Wada**, Tokyo (JP); **Tadahisa Sawano**, Hachioji (JP); **Shuji Shibuki**, Mitaka (JP)

(73) Assignee: **Casio Keisanki Kabushiki Kaisha**, Tokyo (JP)

(**) Term: **14 Years**

(21) Appl. No.: **29/186,746**

(22) Filed: **Jul. 21, 2003**

(30) **Foreign Application Priority Data**

May 29, 2003 (JP) 2003-015090

(51) **LOC (7) Cl.** **16-02**

(52) **U.S. Cl.** **D16/230**

(58) **Field of Search** D16/205, 208, D16/213, 221, 225, 230, 231, 234; D21/514; 352/34, 342; 353/115, 119, 122

(56) **References Cited**

U.S. PATENT DOCUMENTS

- D428,619 S * 7/2000 Saeki et al. D16/230
- D454,360 S * 3/2002 Shimizu et al. D16/230
- 6,491,399 B1 * 12/2002 Fujimori 353/119
- 6,616,282 B2 * 9/2003 Ozawa 353/119
- D480,409 S * 10/2003 Wang et al. D16/230
- D482,380 S * 11/2003 Salvatori et al. D16/230
- 6,657,680 B2 * 12/2003 Takizawa 353/119

FOREIGN PATENT DOCUMENTS

DE 40105608 * 10/2002

* cited by examiner

Primary Examiner—Adir Aronovich

(74) *Attorney, Agent, or Firm*—Frishauf, Holtz, Goodman & Chick, P.C.

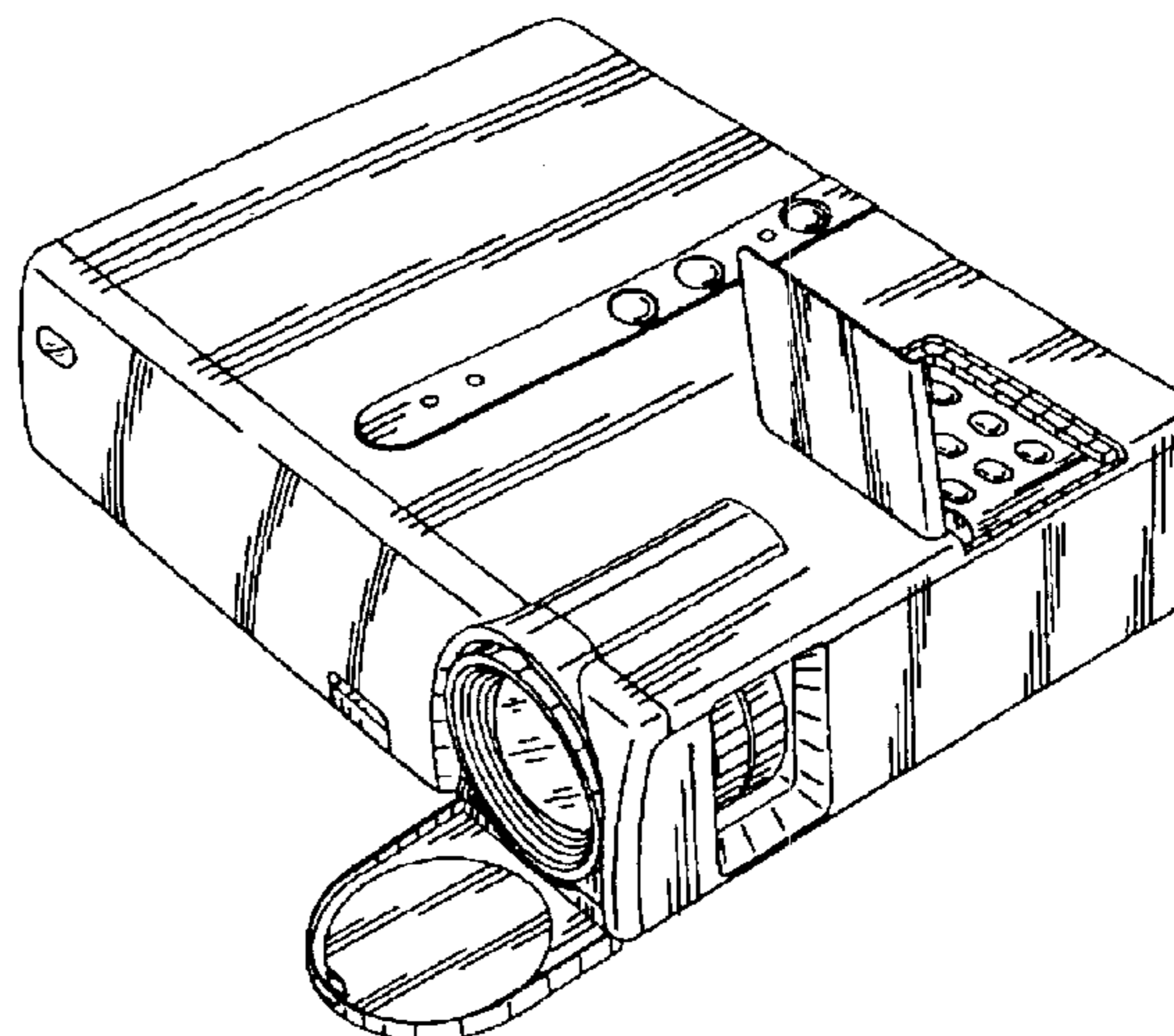
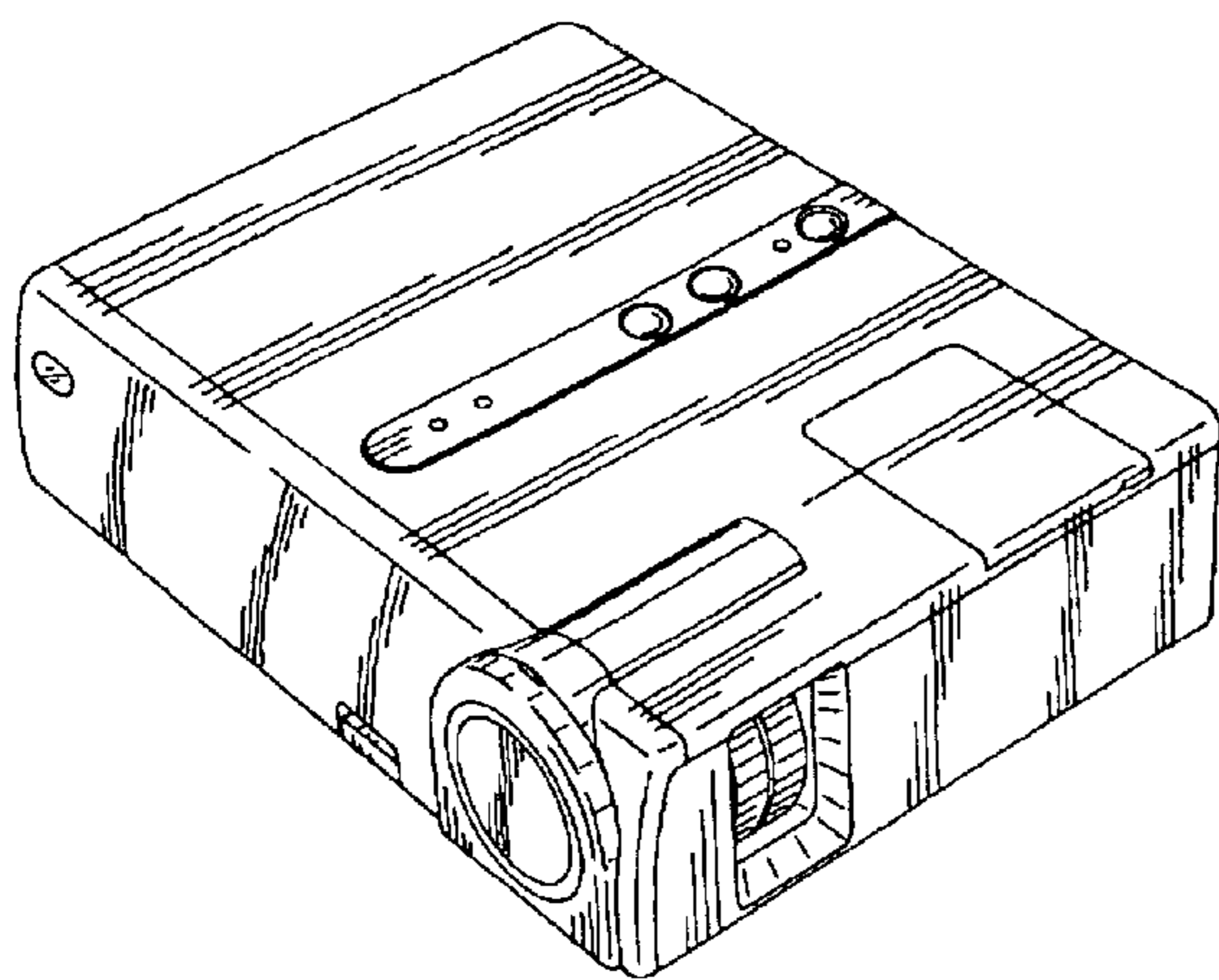
(57) **CLAIM**

The ornamental design for a projector, as shown and described.

DESCRIPTION

FIG. 1 is a front, right, top side perspective view of a projector showing our new design;
 FIG. 2 is a front elevational view thereof;
 FIG. 3 is a rear elevational view thereof;
 FIG. 4 is a left side view thereof;
 FIG. 5 is a right side view thereof;
 FIG. 6 is a top plan view thereof;
 FIG. 7 is a bottom plan view thereof;
 FIG. 8 is a front, right, top side perspective view showing a state in which the lid is opened thereof;
 FIG. 9 is a front elevational view showing a state in which the lid is opened thereof;
 FIG. 10 is a right side view showing a state in which the lid is opened thereof;
 FIG. 11 is a top plan view showing a state in which the lid is opened thereof; and,
 FIG. 12 is a front, right, top side perspective view showing a state in which the lid is opened and the panel on the top surface is opened thereof.

1 Claim, 6 Drawing Sheets



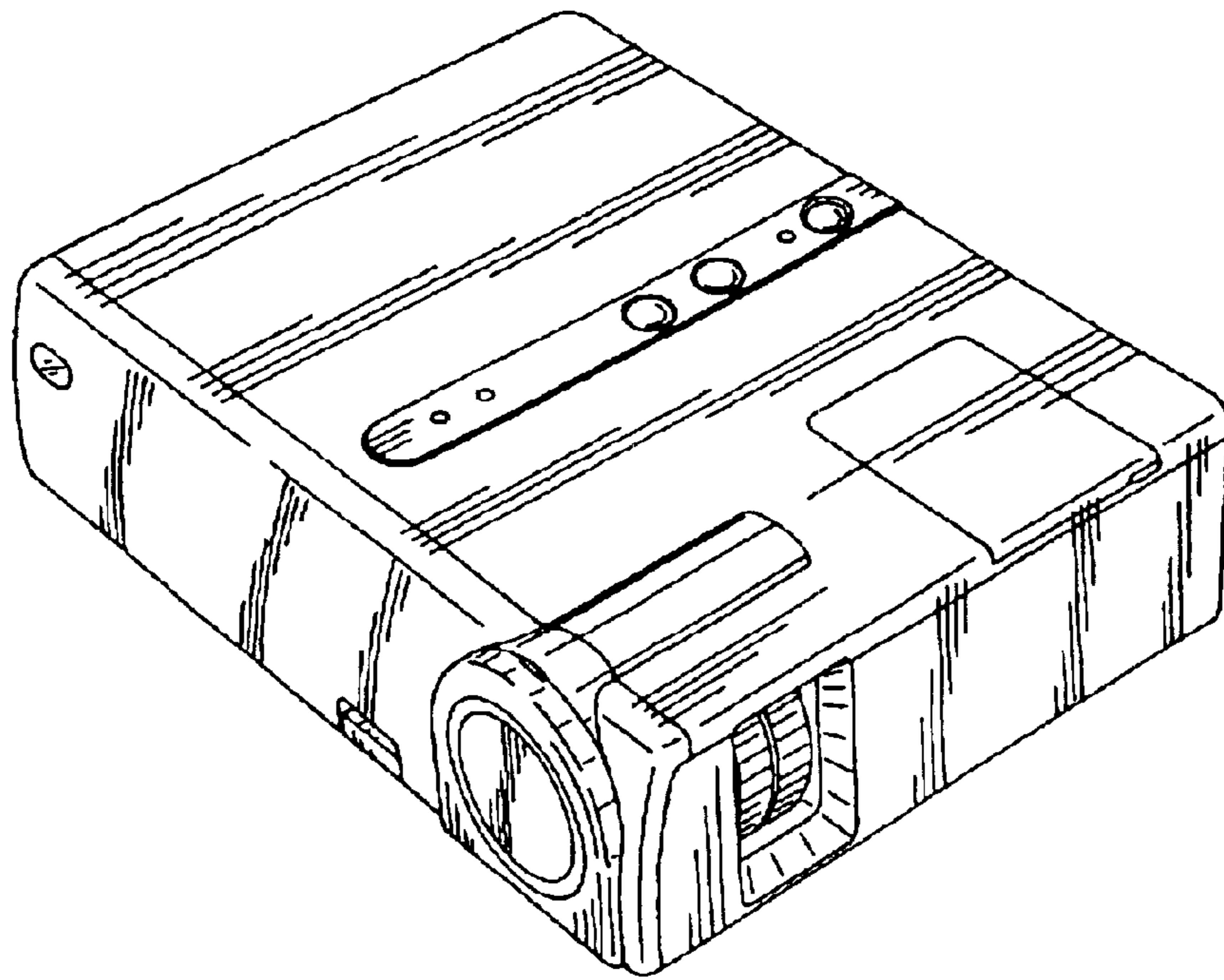


FIG. 1

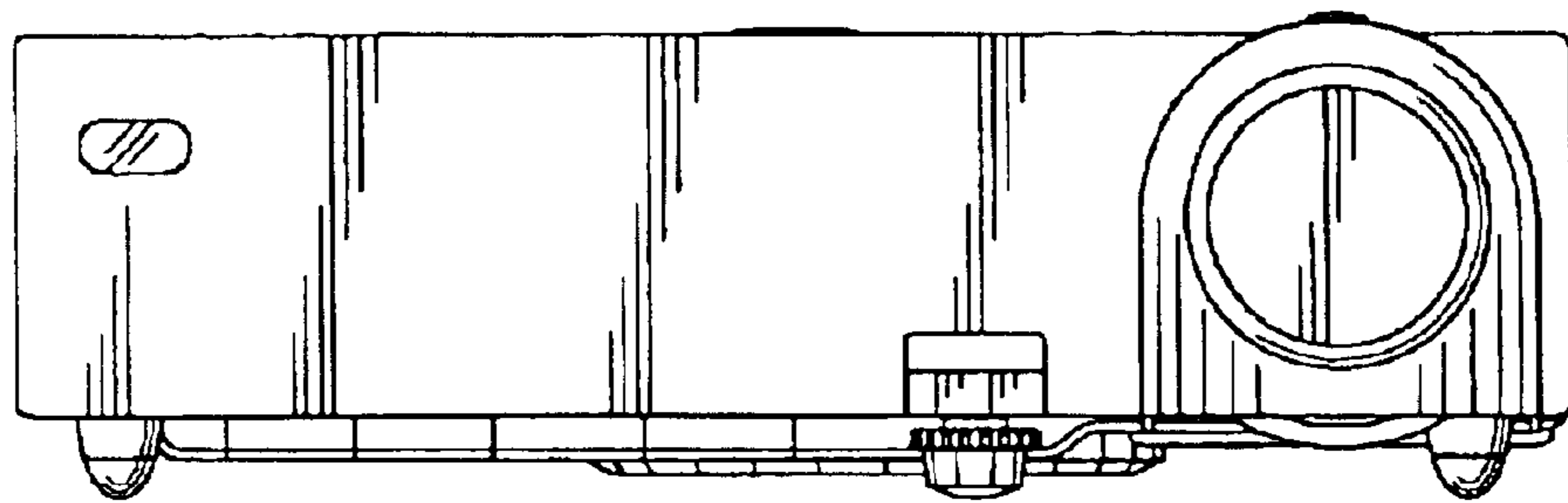


FIG. 2

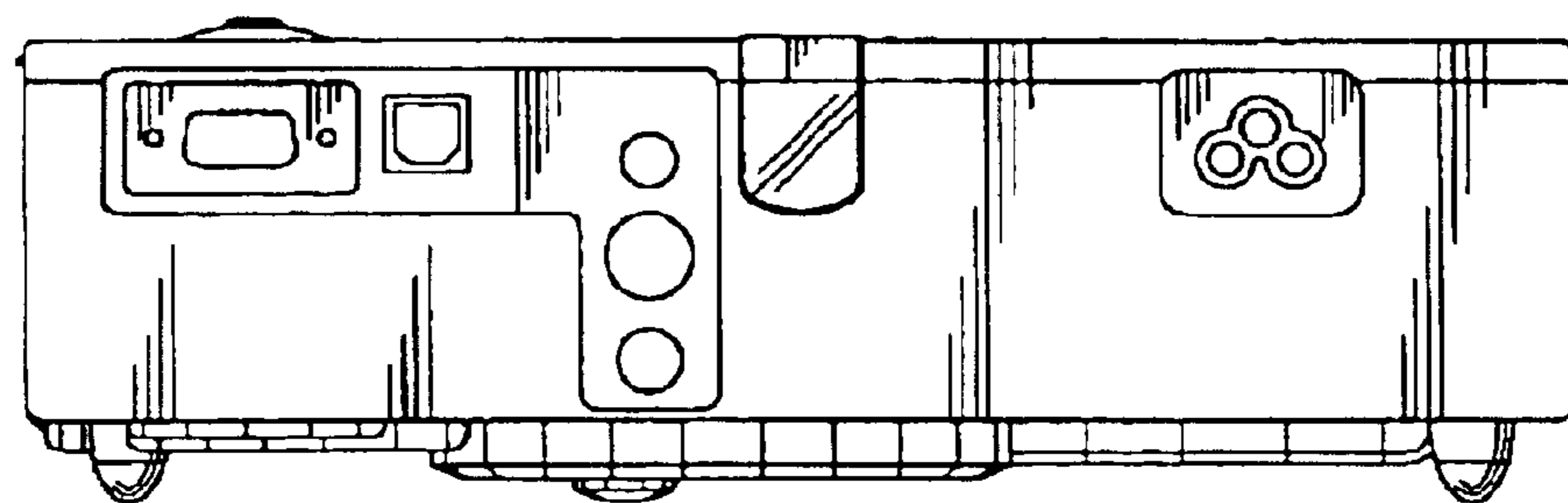


FIG. 3

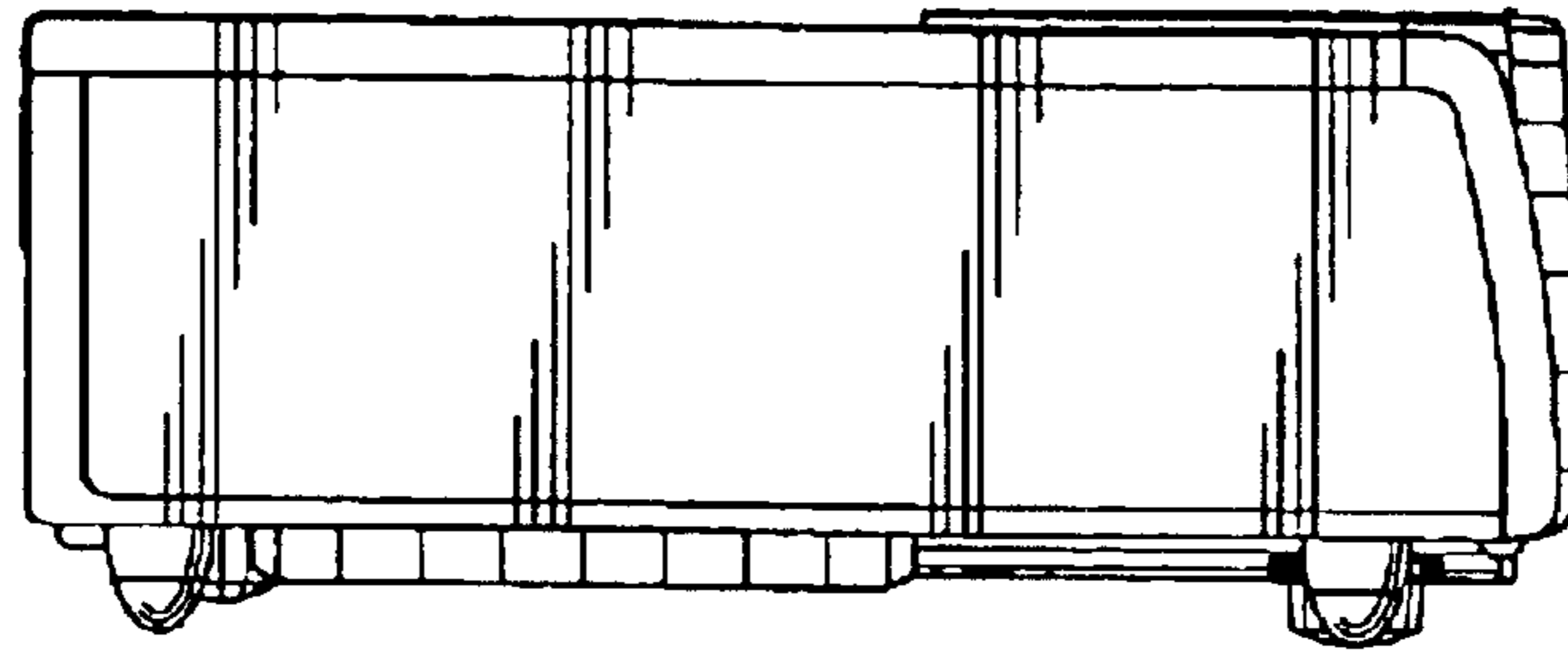


FIG. 4

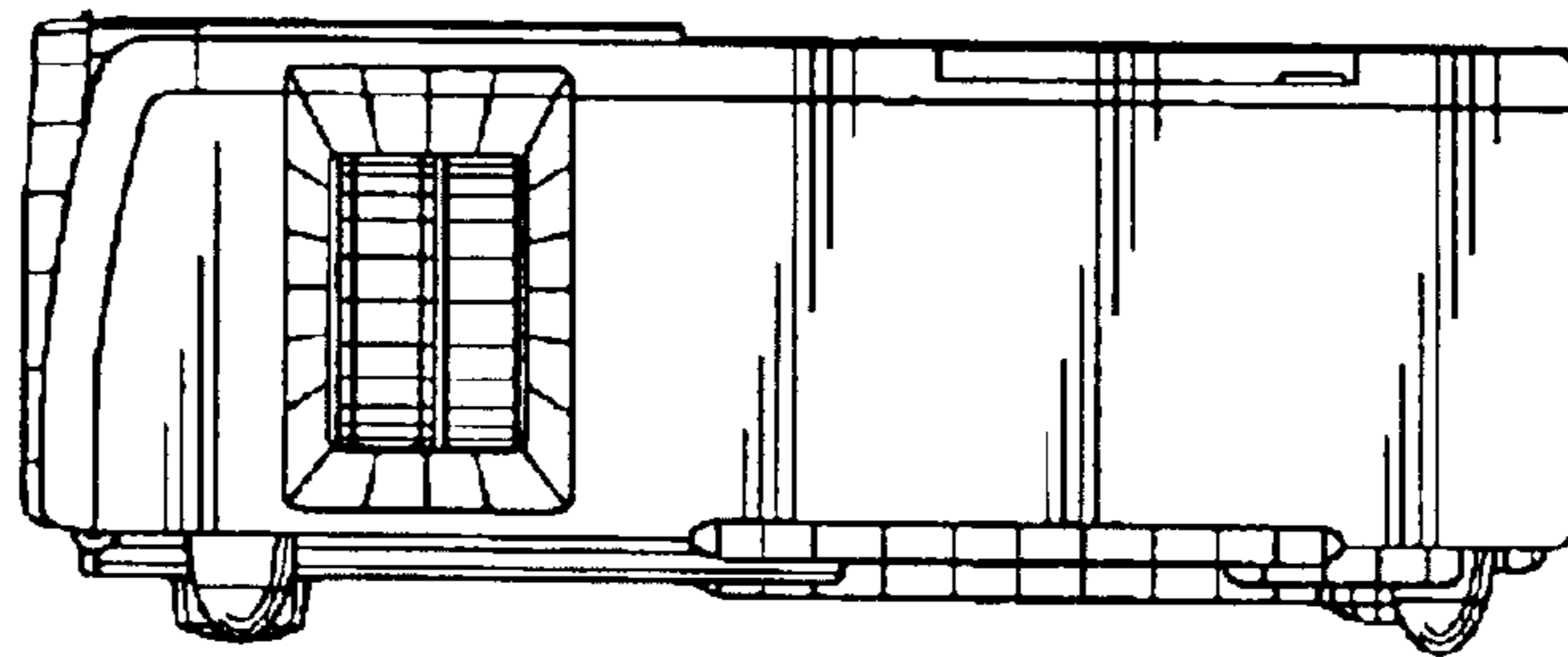


FIG. 5

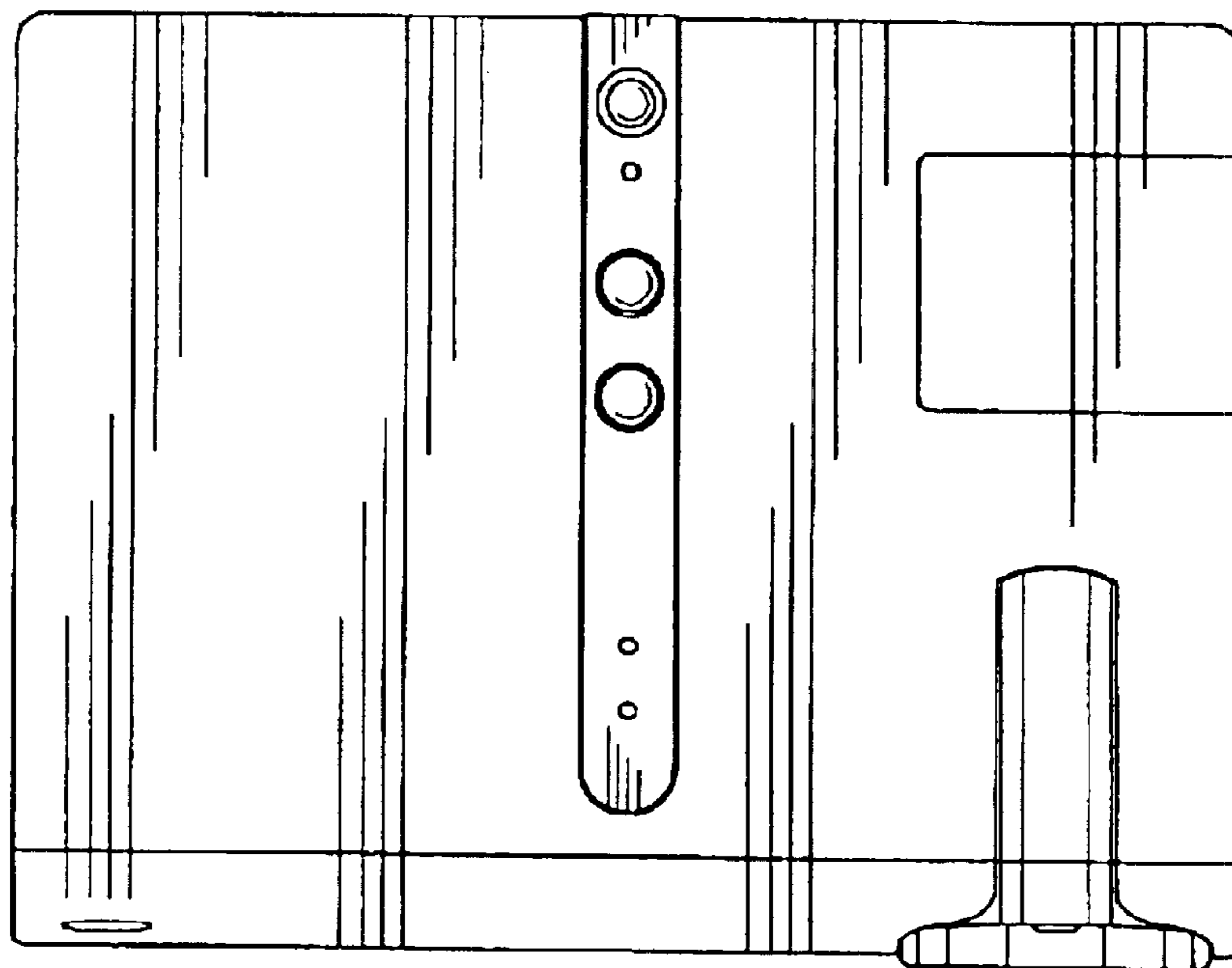


FIG. 6

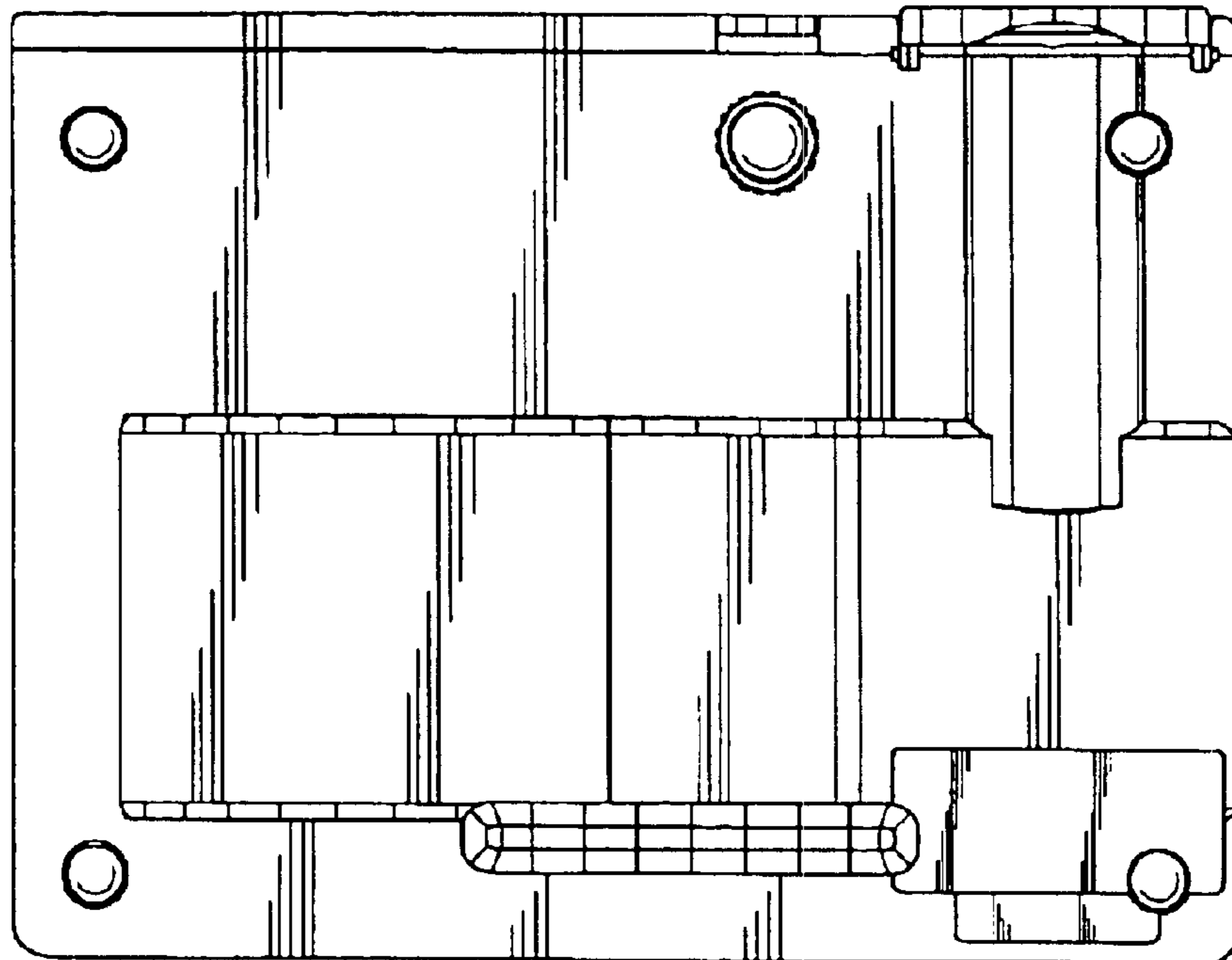


FIG. 7

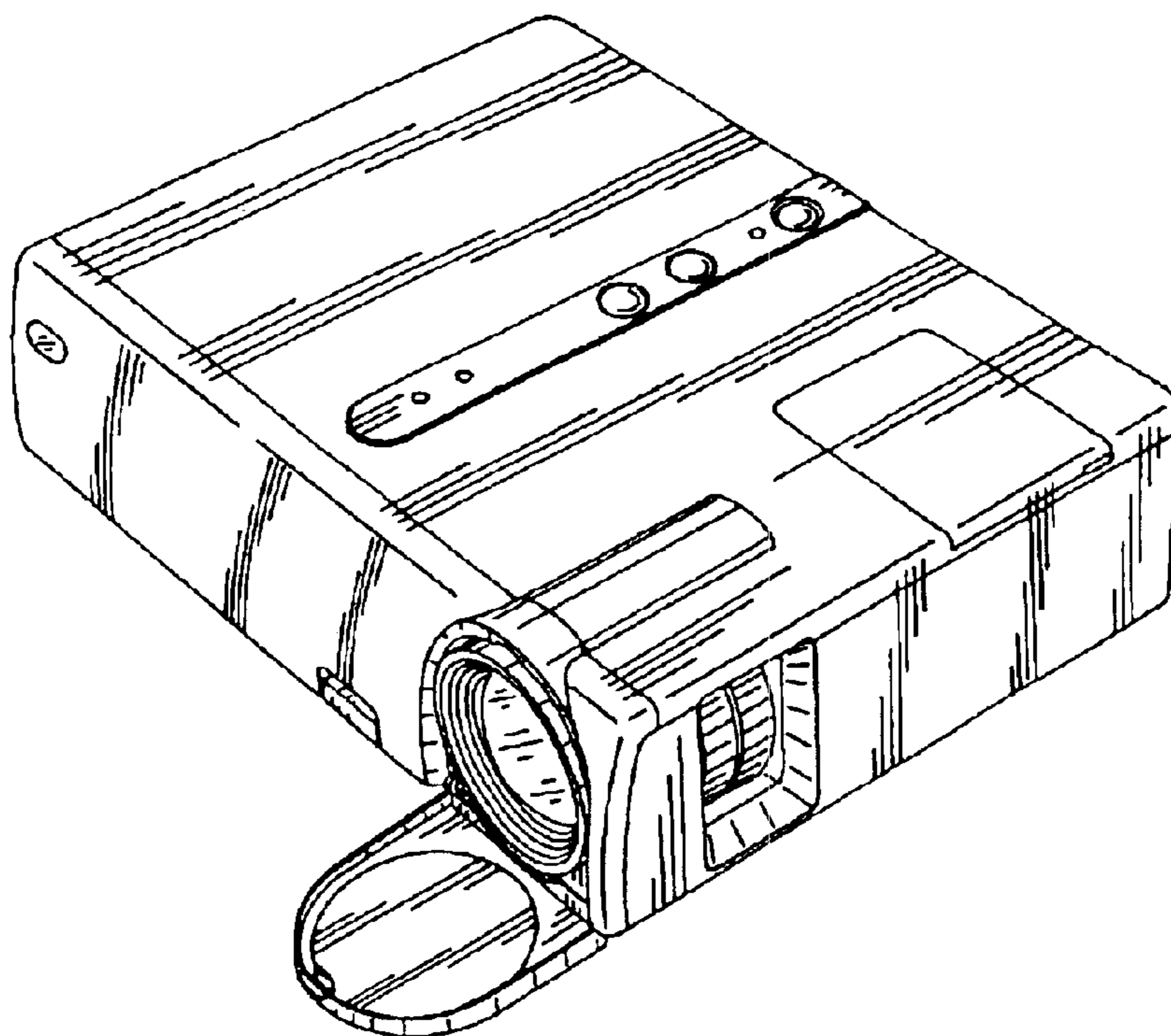


FIG. 8

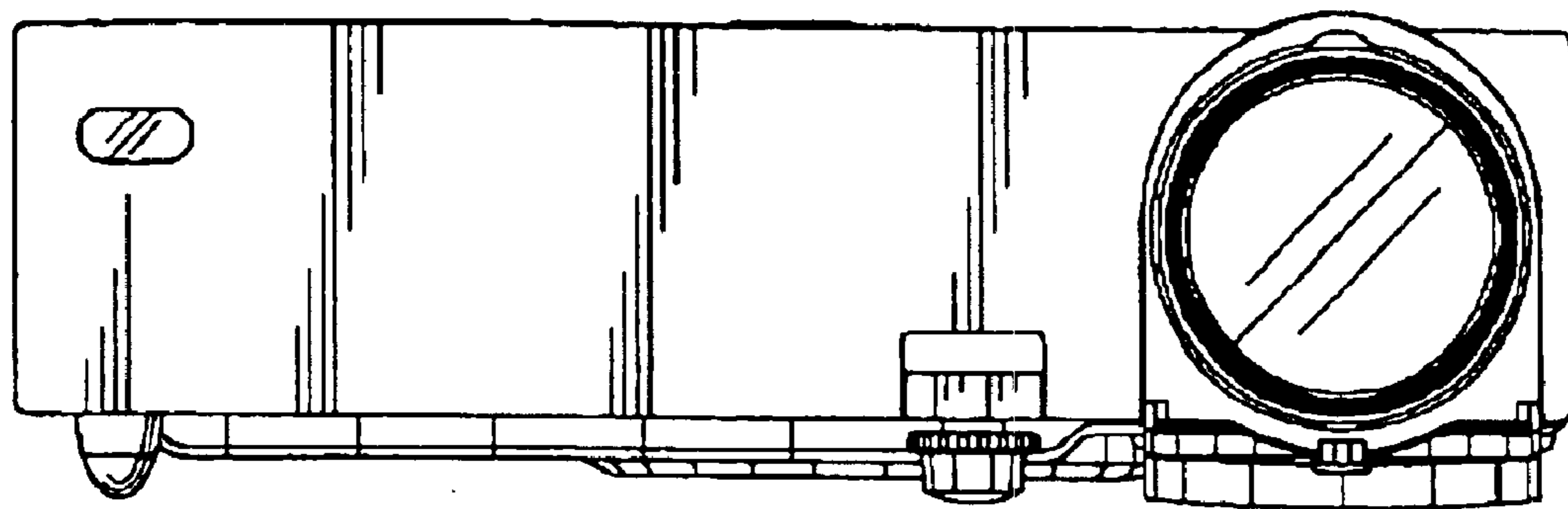


FIG. 9

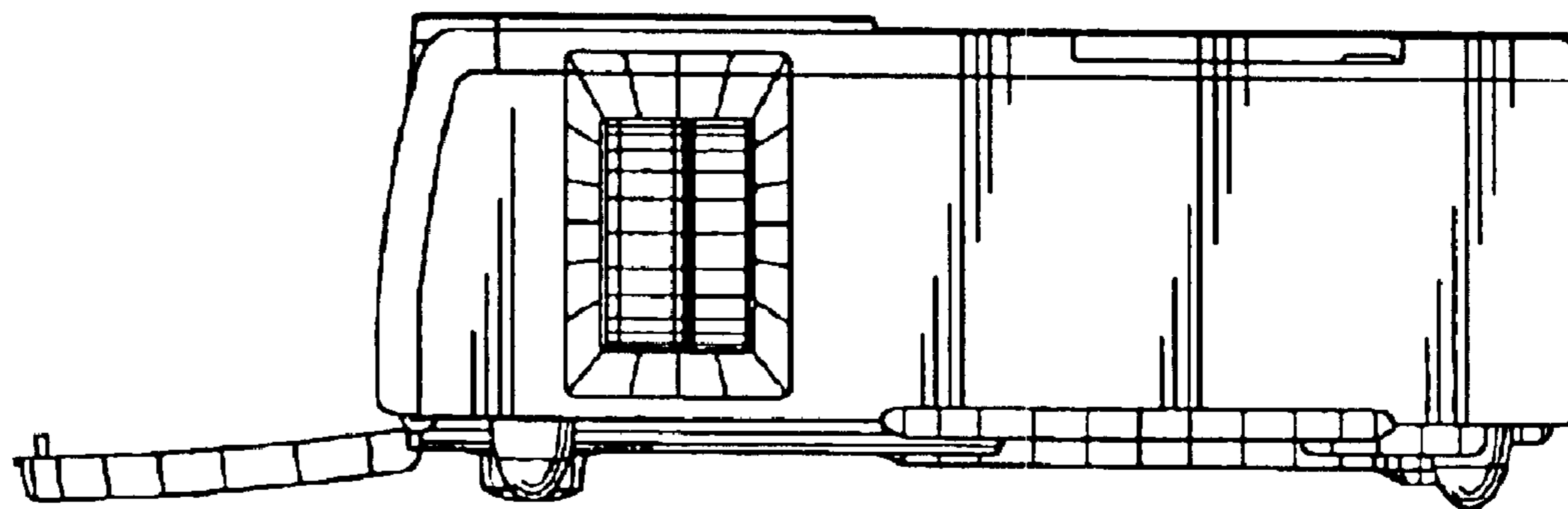


FIG. 10

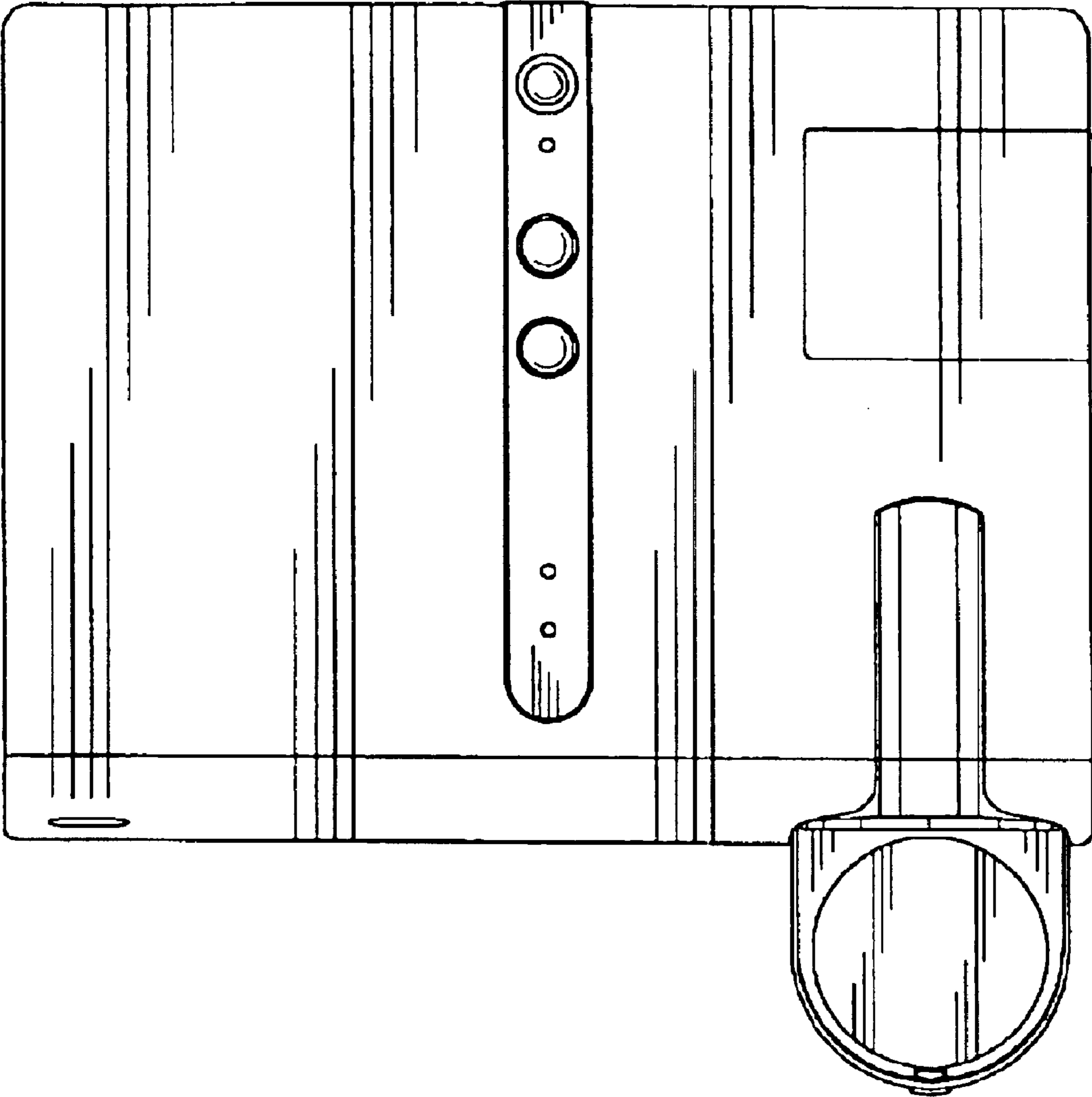


FIG. 11

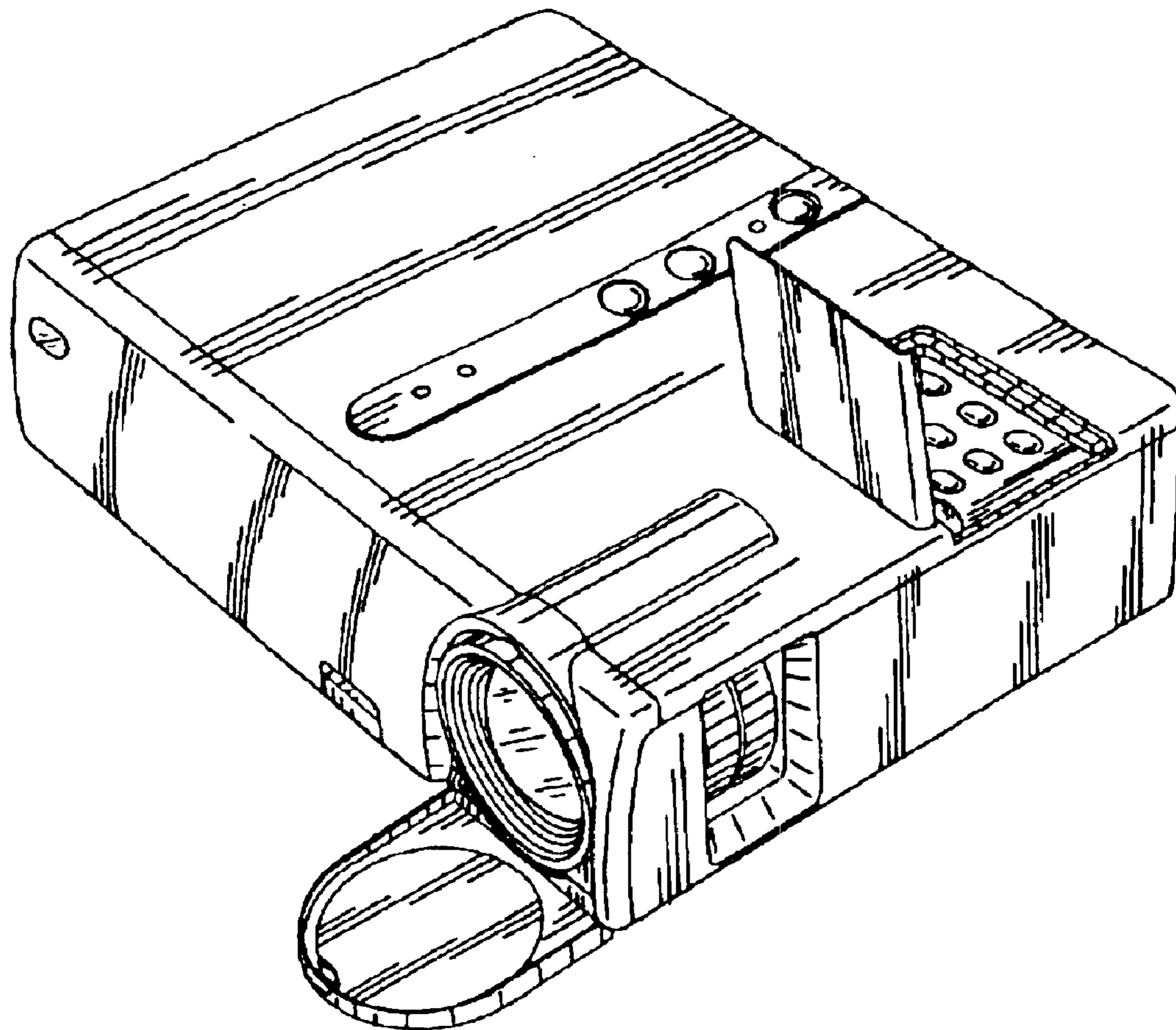


FIG. 12