

US00D499752S

(12) **United States Design Patent**  
**Su**

(10) **Patent No.:** **US D499,752 S**

(45) **Date of Patent:** **\*\* Dec. 14, 2004**

(54) **DIGITAL CAMERA**

(75) **Inventor:** **Jone Su, ChuPei (TW)**

(73) **Assignee:** **Aiptek International Inc., Hsinchu (TW)**

(\*\*) **Term:** **14 Years**

(21) **Appl. No.:** **29/191,320**

(22) **Filed:** **Oct. 7, 2003**

(51) **LOC (7) Cl.** ..... **16-01**

(52) **U.S. Cl.** ..... **D16/202; D16/218**

(58) **Field of Search** ..... **D16/200-206, D16/208, 218; 348/373-376; 358/906, 909.1; 396/535-541**

(56) **References Cited**

**U.S. PATENT DOCUMENTS**

- D423,544 S \* 4/2000 Yamamoto et al. .... D16/218
- 6,347,893 B1 \* 2/2002 Shiono et al. .... 396/448
- D477,832 S \* 7/2003 Suzuki ..... D16/218

- D480,742 S \* 10/2003 Chin ..... D16/202
- D483,049 S \* 12/2003 Hsieh ..... D16/202
- 2002/0081115 A1 \* 6/2002 Suzuki et al. .... 396/429

\* cited by examiner

*Primary Examiner*—Adir Aronovich

(74) *Attorney, Agent, or Firm*—Troxell Law Office PLLC

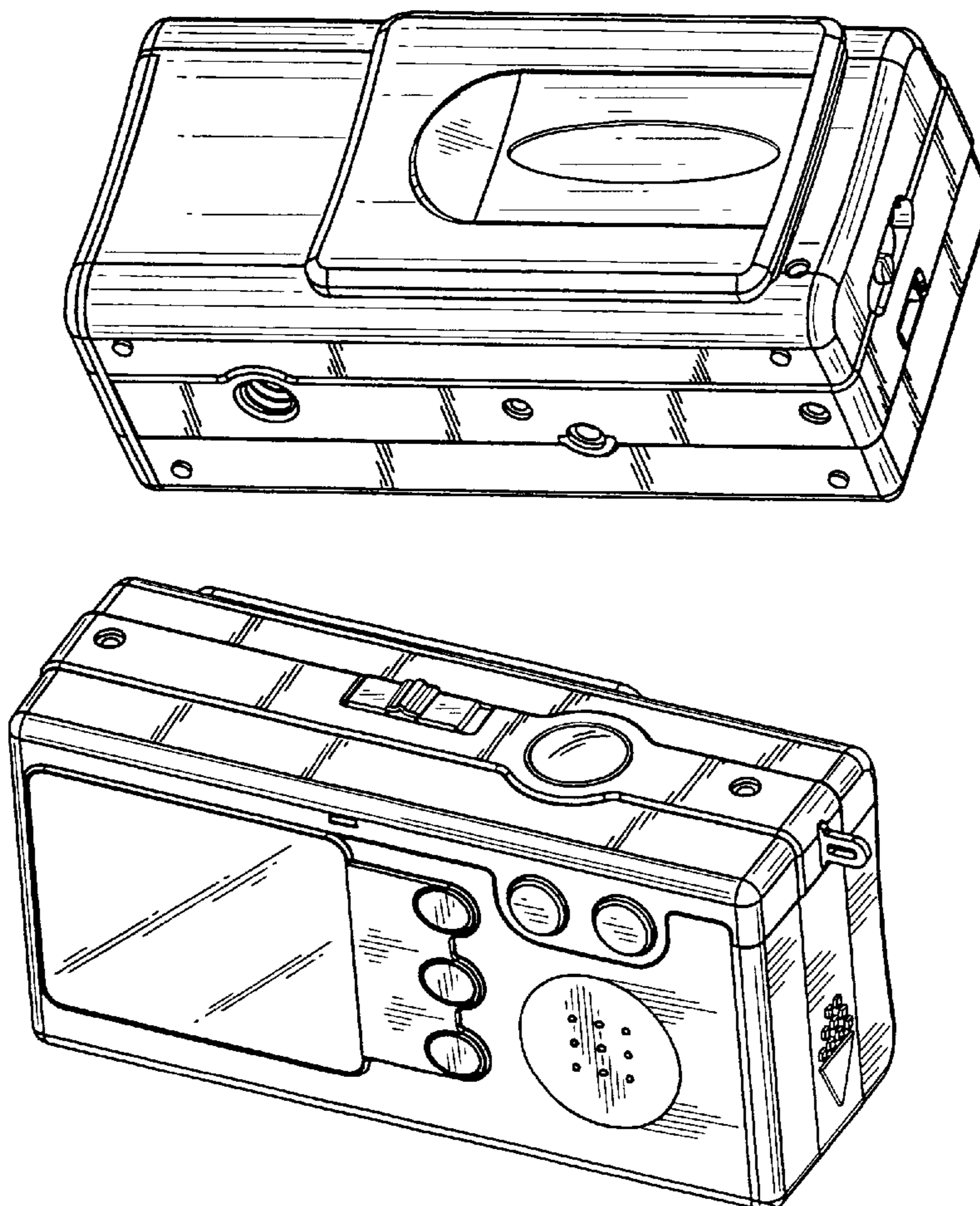
(57) **CLAIM**

The ornamental design for a digital camera, as shown and described.

**DESCRIPTION**

FIG. 1 is a front, bottom and right side perspective view of a digital camera showing my new design;  
 FIG. 2 is a front elevational view thereof;  
 FIG. 3 is a rear elevational view thereof;  
 FIG. 4 is a left side elevational view thereof;  
 FIG. 5 is a right side elevational view thereof;  
 FIG. 6 is a top plan view thereof;  
 FIG. 7 is a bottom plan view thereof; and,  
 FIG. 8 is a rear, top and left side view thereof.

**1 Claim, 5 Drawing Sheets**



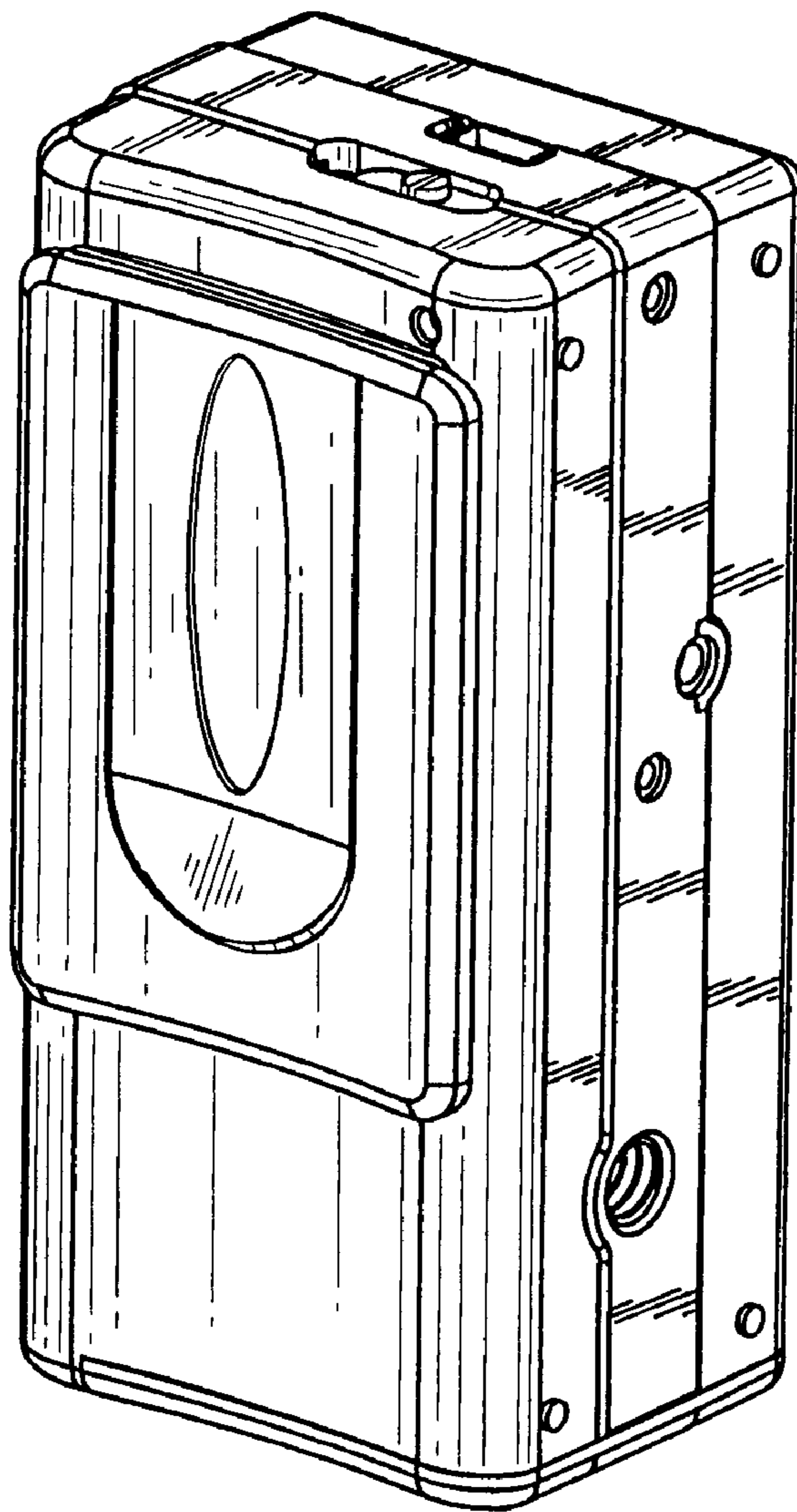


FIG. 1

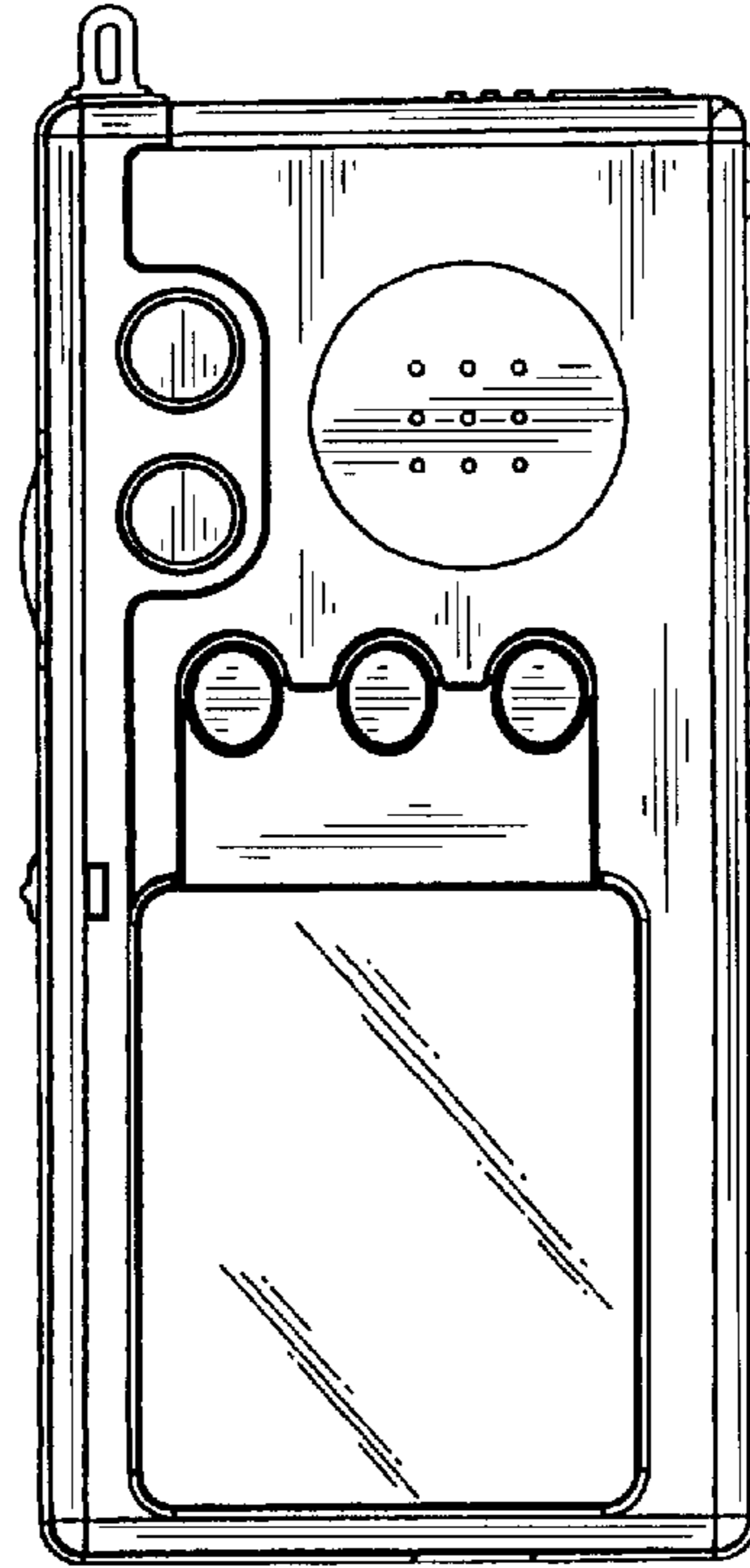


FIG. 3

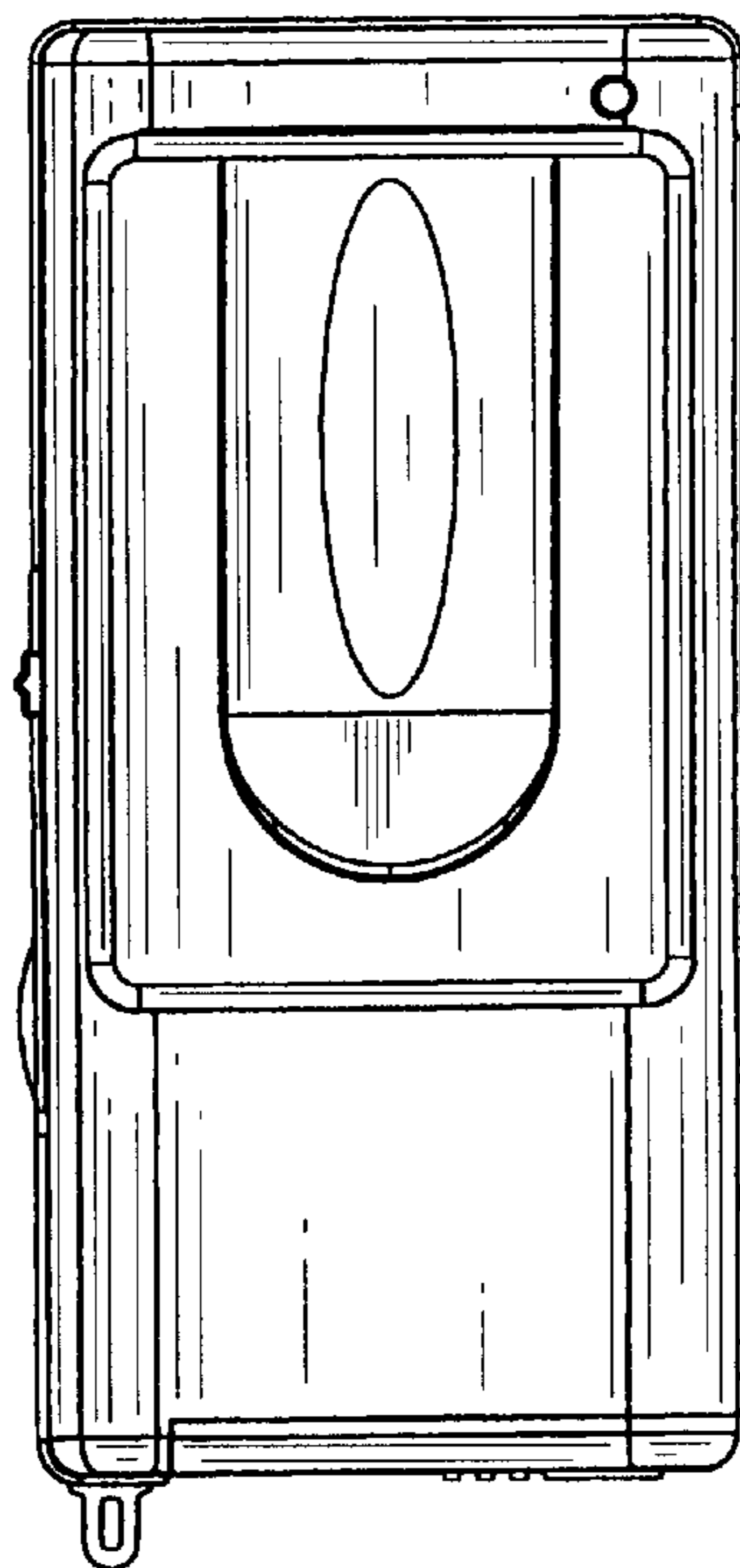


FIG. 2

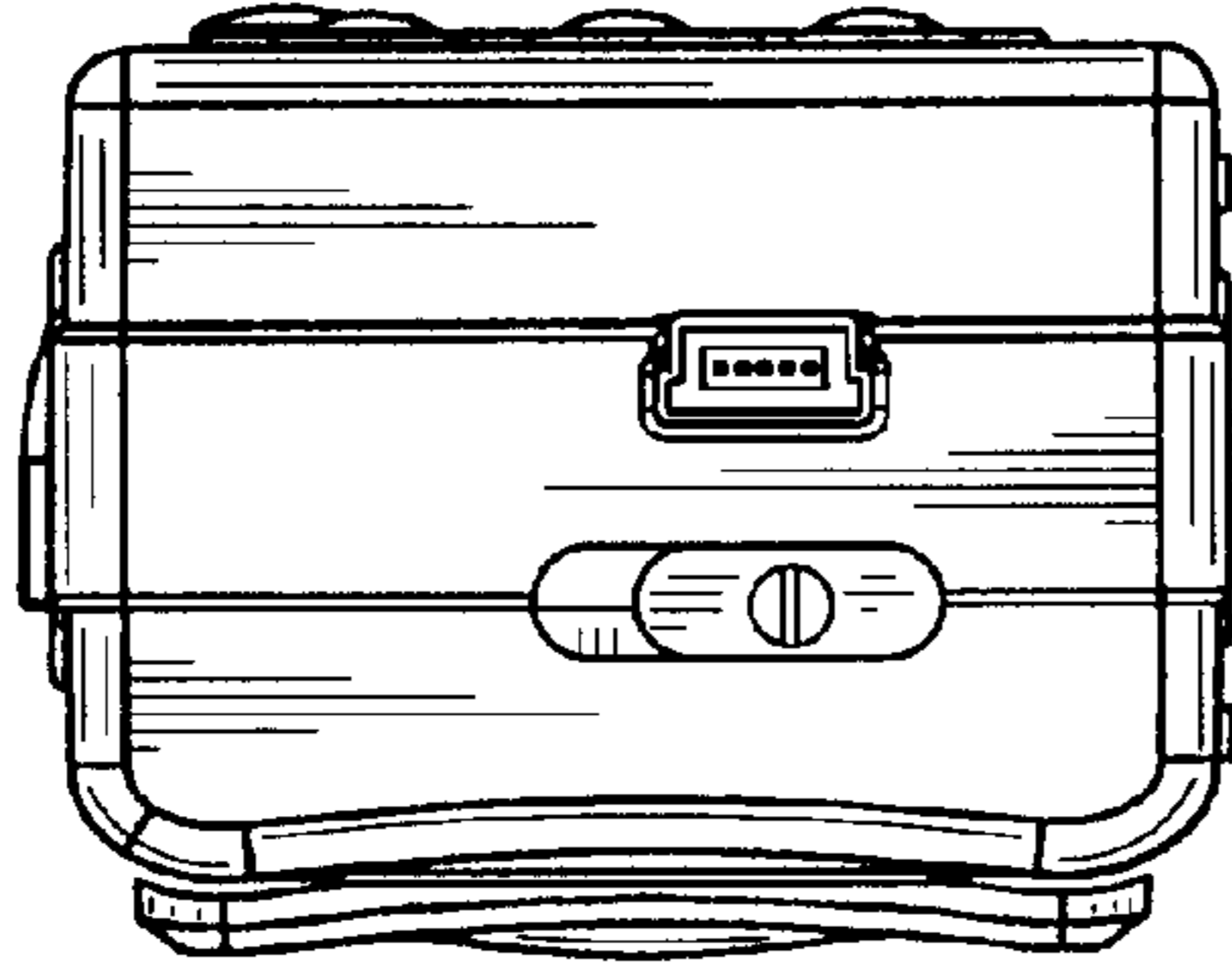


FIG. 5

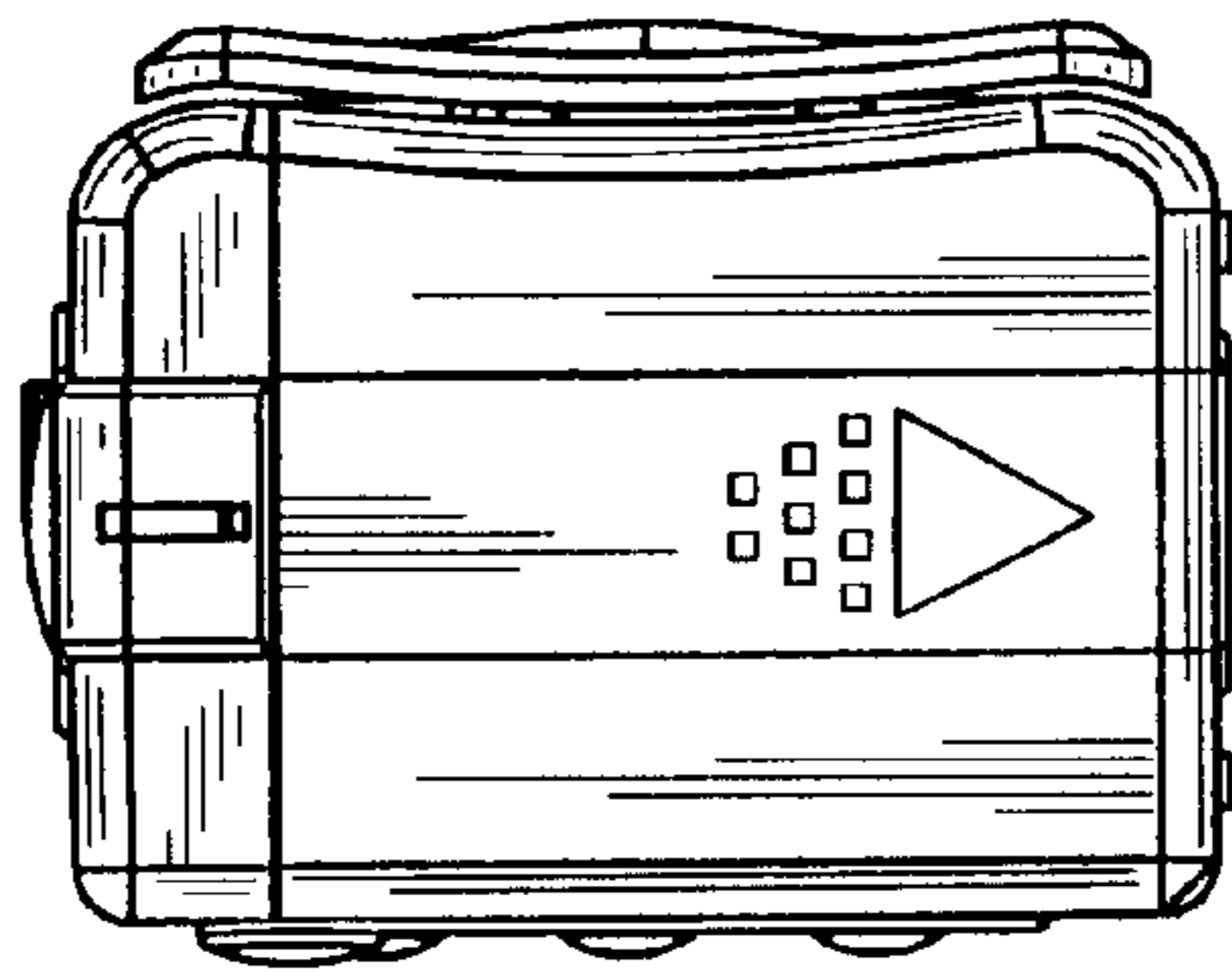


FIG. 4

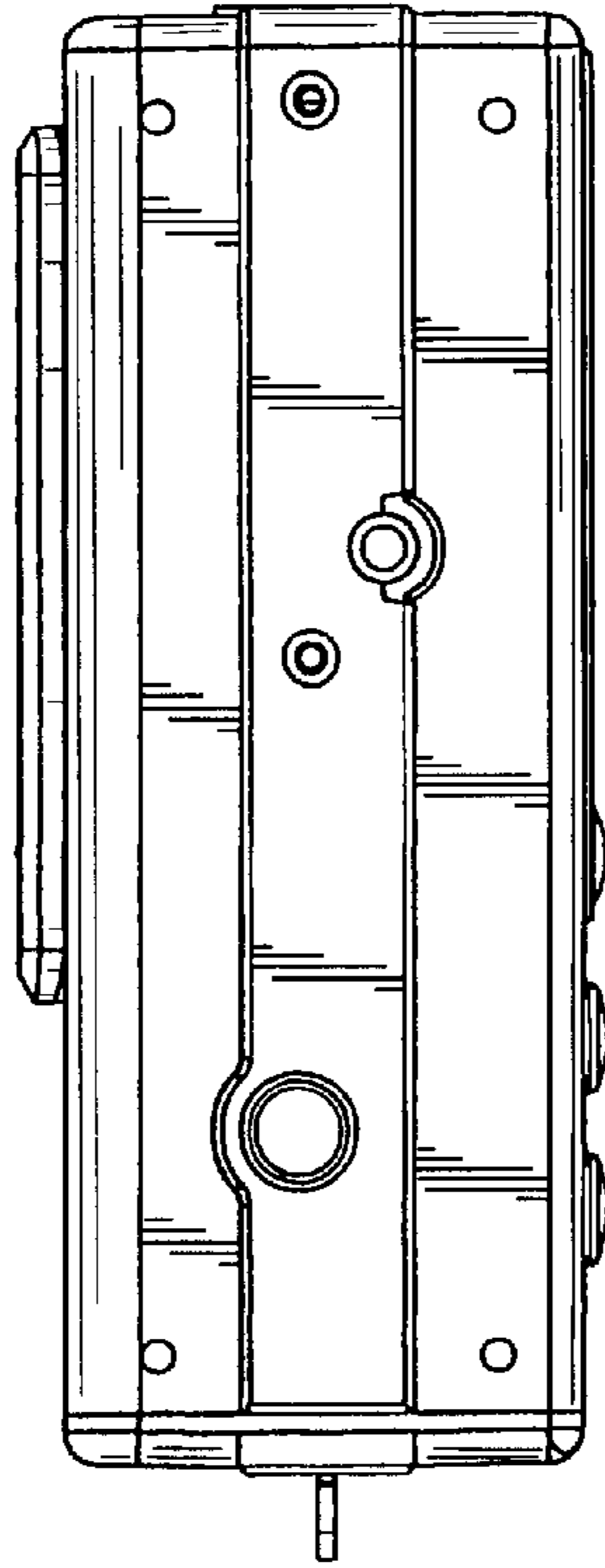


FIG. 7

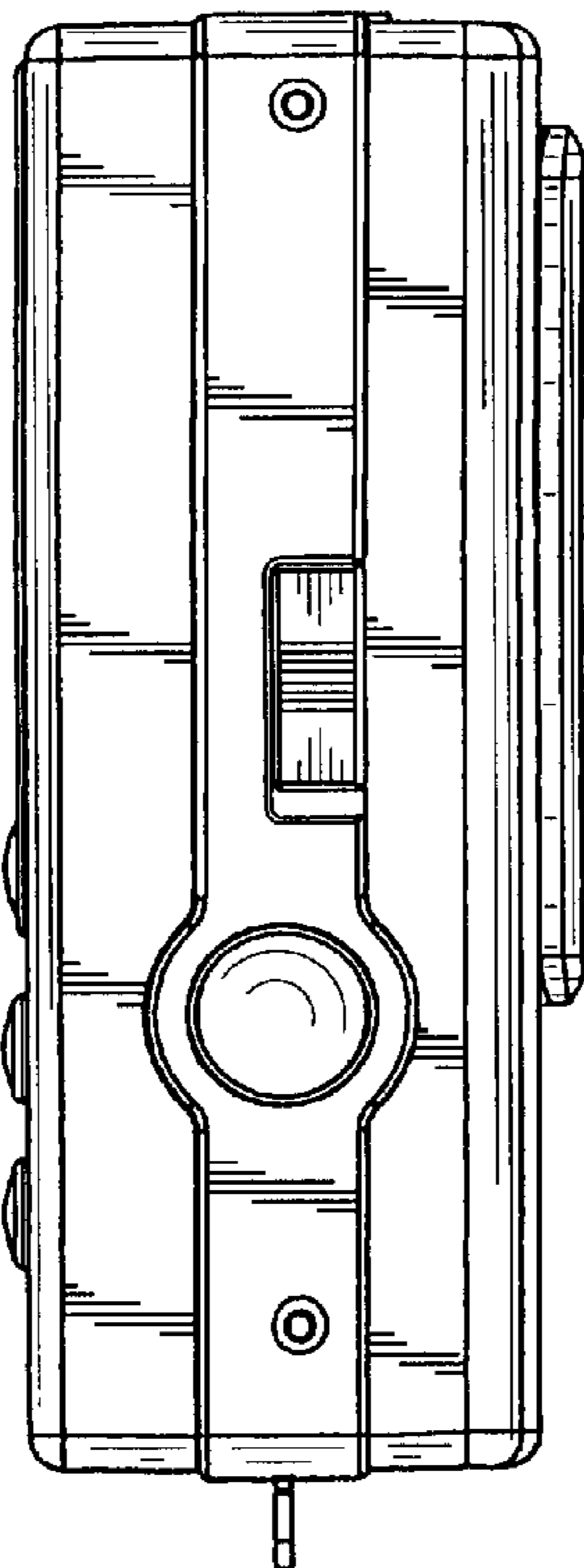


FIG. 6

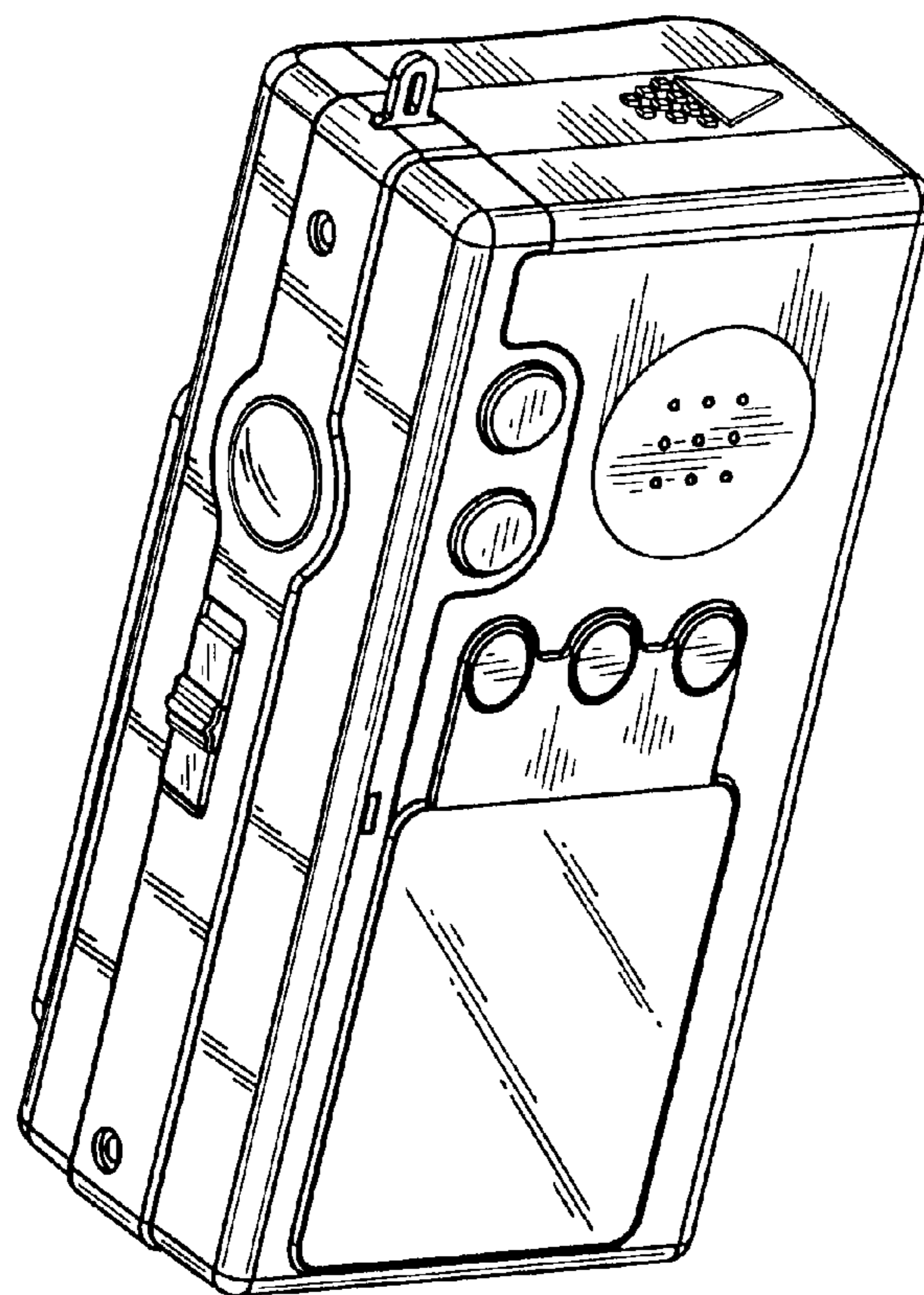


FIG. 8