



US00D499751S

(12) **United States Design Patent** (10) **Patent No.:** **US D499,751 S**
Egami et al. (45) **Date of Patent:** **** Dec. 14, 2004**

(54) **THREAD CASSETTE FOR SEWING MACHINE**

2004/0000264 A1 * 1/2004 Sakakibara 112/470.06
* cited by examiner

(75) Inventors: **Keiichiro Egami**, Nagoya (JP); **Kaoru Sakakibara**, Nagoya (JP); **Hiroaki Fukao**, Kasugai (JP); **Masayuki Hori**, Gifu (JP)

Primary Examiner—Mitchell Siegel
(74) *Attorney, Agent, or Firm*—Oliff & Berridge, PLC

(73) Assignee: **Brother Industries, Ltd.**, Nagoya (JP)

(57) **CLAIM**

The ornamental design for a thread cassette for sewing machine, as shown and described.

(**) Term: **14 Years**

DESCRIPTION

(21) Appl. No.: **29/178,320**

FIG. 1 is a perspective view of a thread cassette for a sewing machine, the thread cassette having a thread spool compartment with a transparent cover in a closed position;

(22) Filed: **Mar. 26, 2003**

FIG. 2 is a perspective view thereof without a thread spool in the compartment and with the transparent cover in an open position;

(30) **Foreign Application Priority Data**

Nov. 7, 2002 (JP) 2002-030551

FIG. 3 is a perspective view with the transparent cover in a closed position and a thread spool within the compartment;

(51) **LOC (7) Cl.** **15-03**

(52) **U.S. Cl.** **D15/66**

(58) **Field of Search** D15/66, 69-78;
112/445-448, 236, 121.11, 121.12, 217.1,
258-262.1

FIG. 4 is a perspective view with the transparent cover in an open position and a thread spool within the compartment; FIG. 5 is a front view without a thread spool in the compartment and the transparent cover in the closed position;

(56) **References Cited**

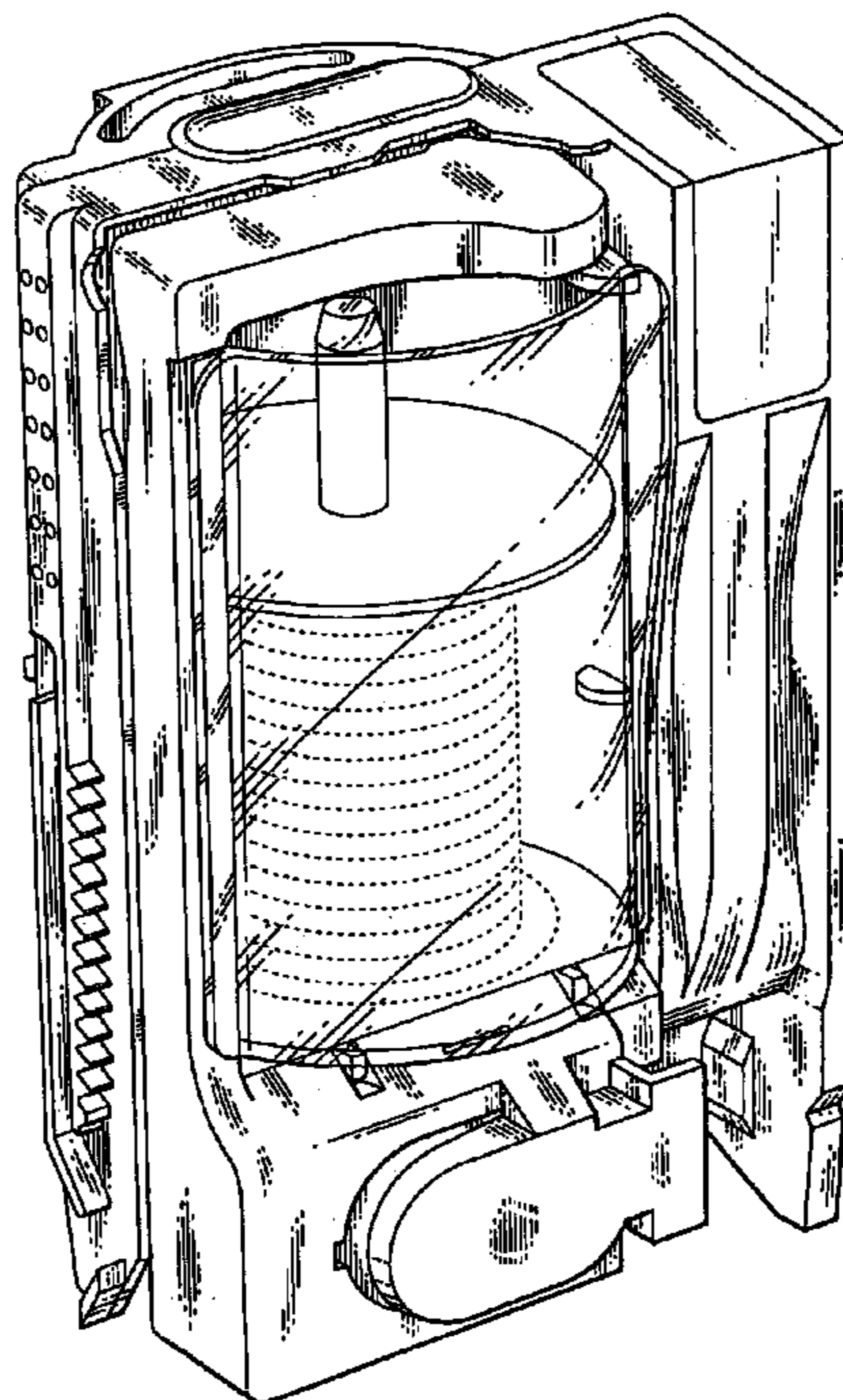
U.S. PATENT DOCUMENTS

- 5,000,397 A * 3/1991 Darrieux 242/156
- 6,467,419 B2 * 10/2002 Hori 112/302
- D467,595 S * 12/2002 Shimizu et al. D15/72
- 6,513,742 B2 * 2/2003 Watson 242/171
- D477,334 S * 7/2003 Shimizu et al. D15/66
- D482,047 S * 11/2003 Shimizu et al. D15/72
- D482,048 S * 11/2003 Shimizu et al. D15/72
- D482,372 S * 11/2003 Shimizu et al. D15/72
- 2004/0000262 A1 * 1/2004 Sakakibara et al. 112/302
- 2004/0000263 A1 * 1/2004 Sakakibara 112/470.01

FIG. 6 is a rear view;
FIG. 7 is a left side view;
FIG. 8 is a right side view;
FIG. 9 is a bottom view; and,
FIG. 10 is a top view.

The broken line showing of the thread spool is for illustrative purposes only and does not form part of the claimed design. The broken line showing on the thread cassette defines the bounds of the claimed design but does not form part of the claimed design.

1 Claim, 7 Drawing Sheets



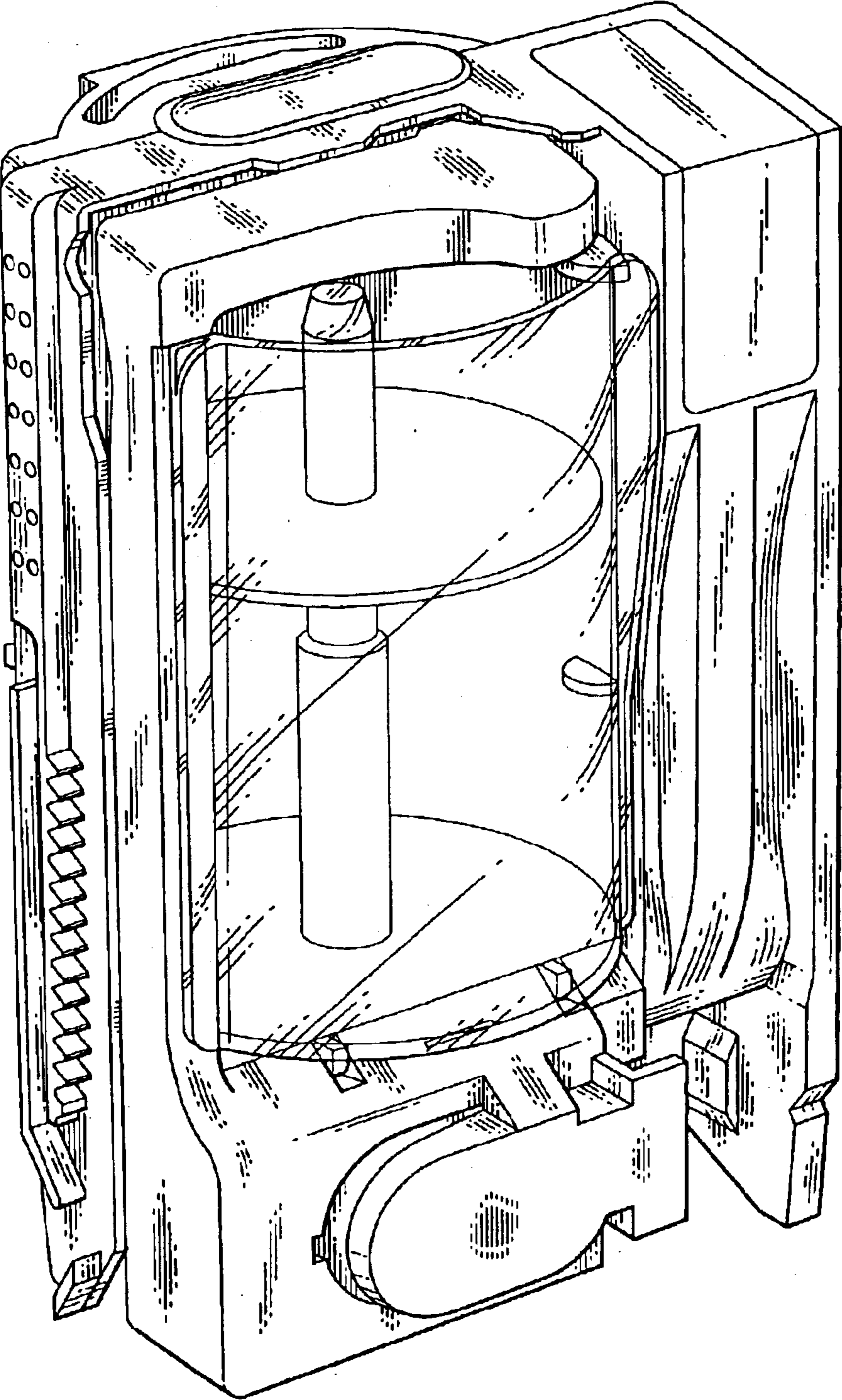


Fig. 1

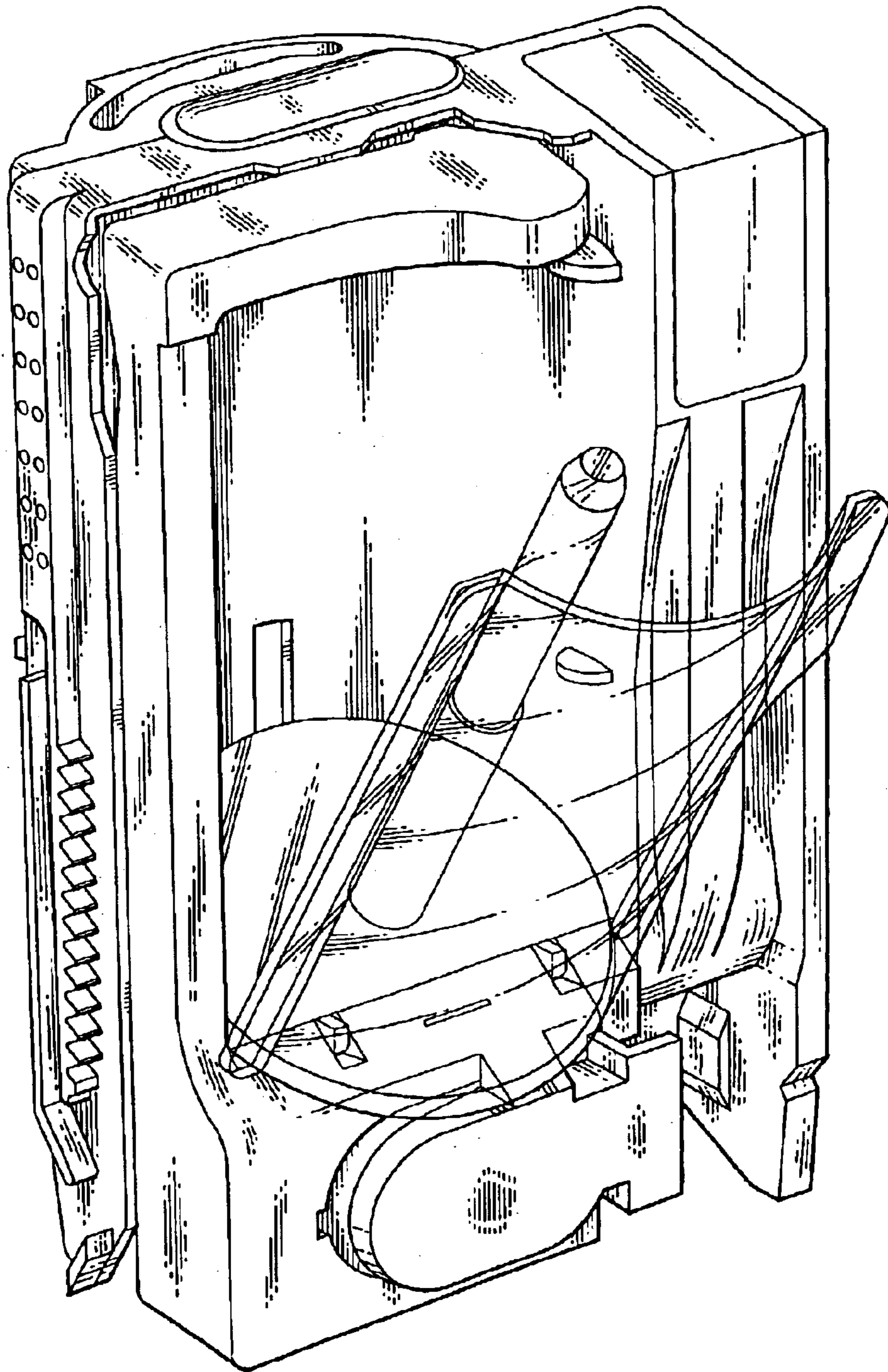


Fig. 2

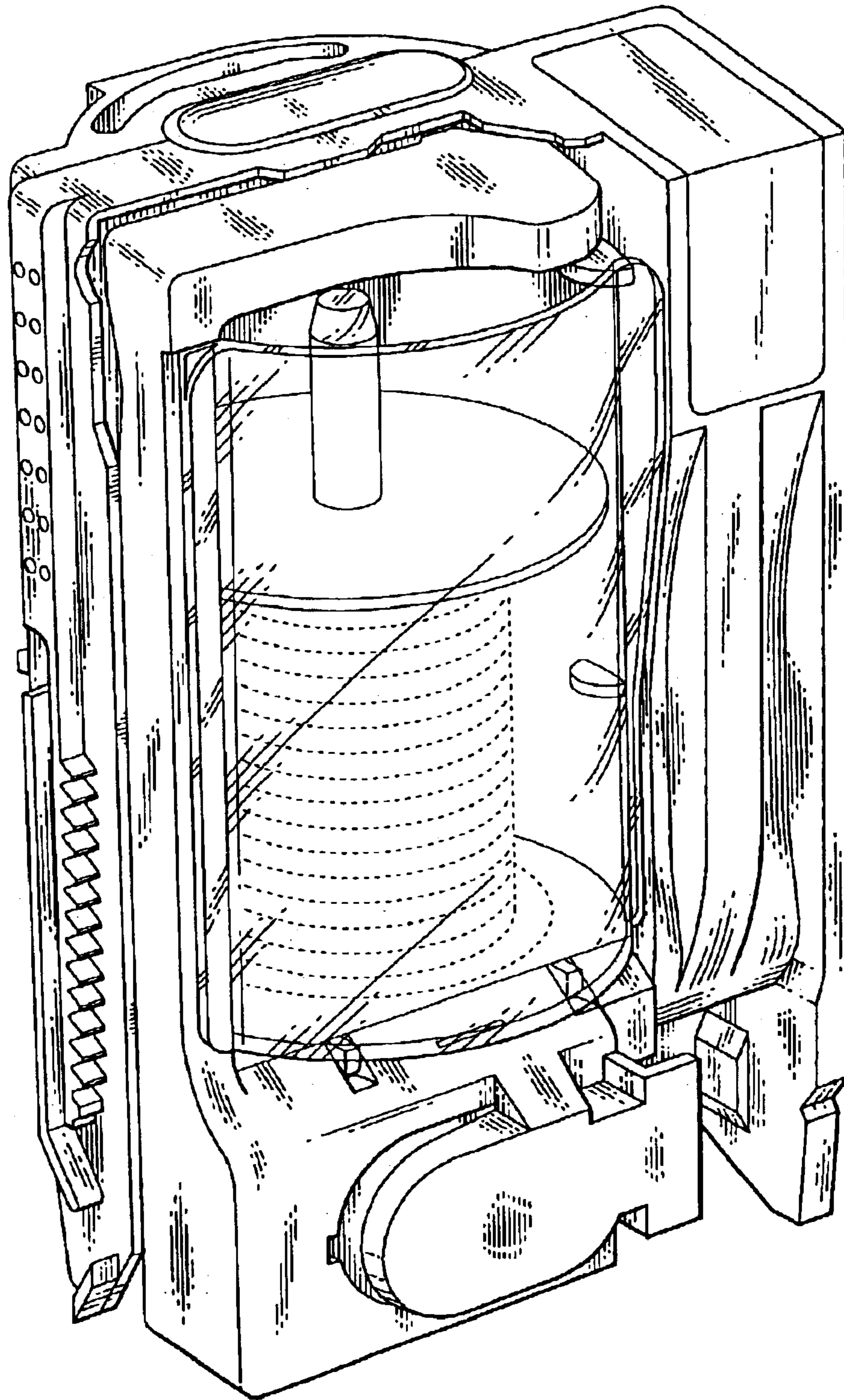


Fig. 3

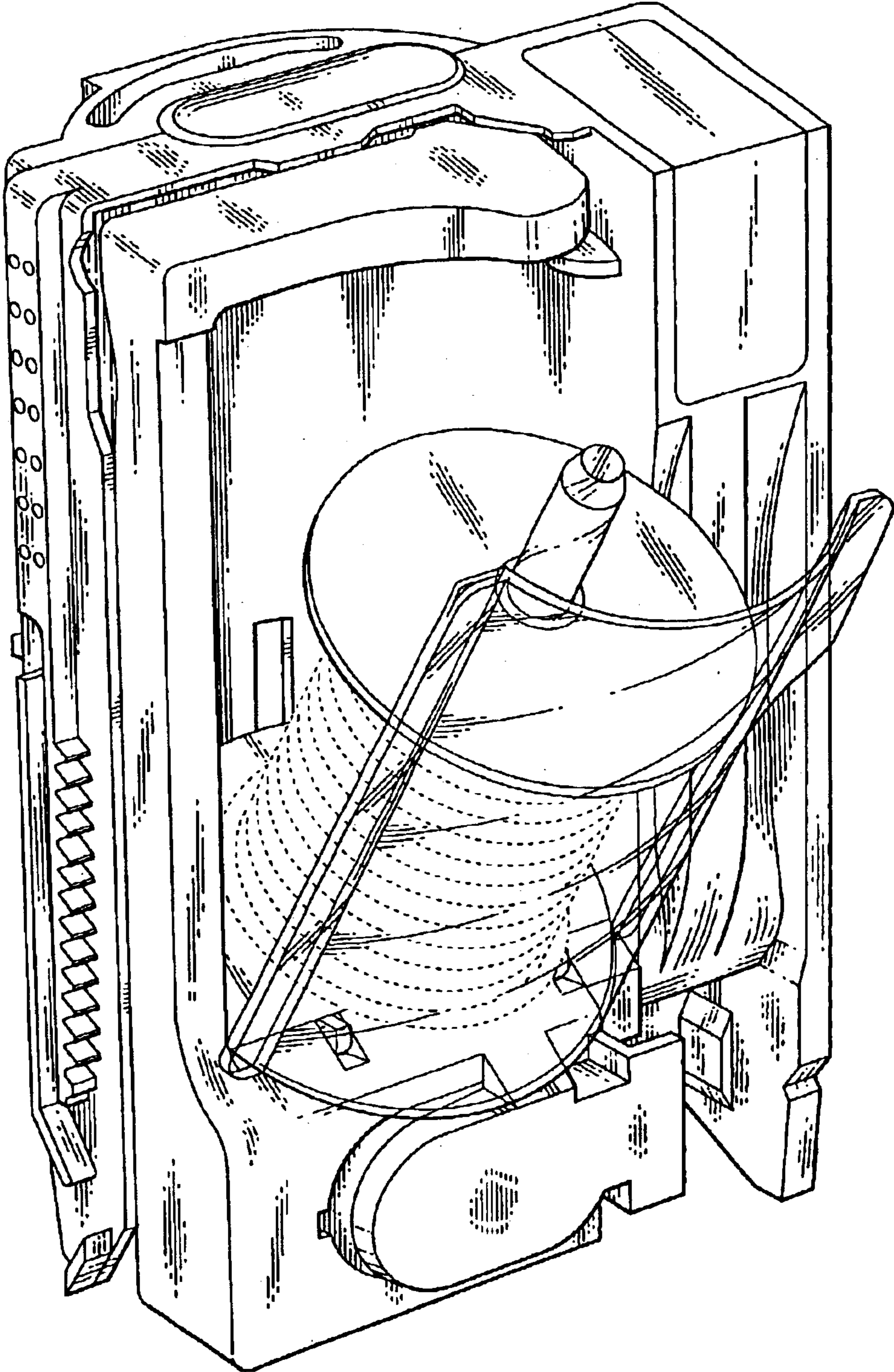


Fig. 4

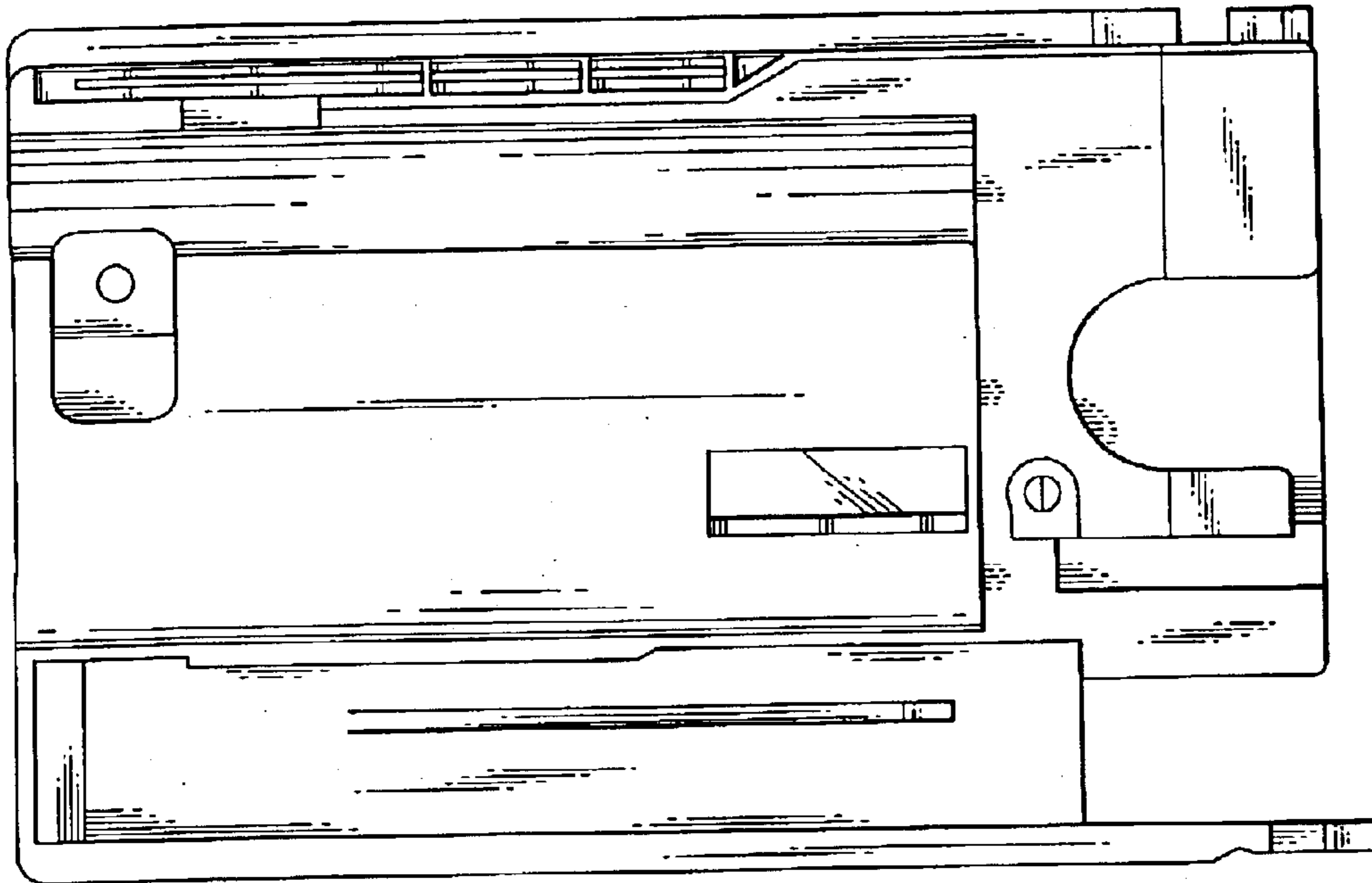


Fig. 6

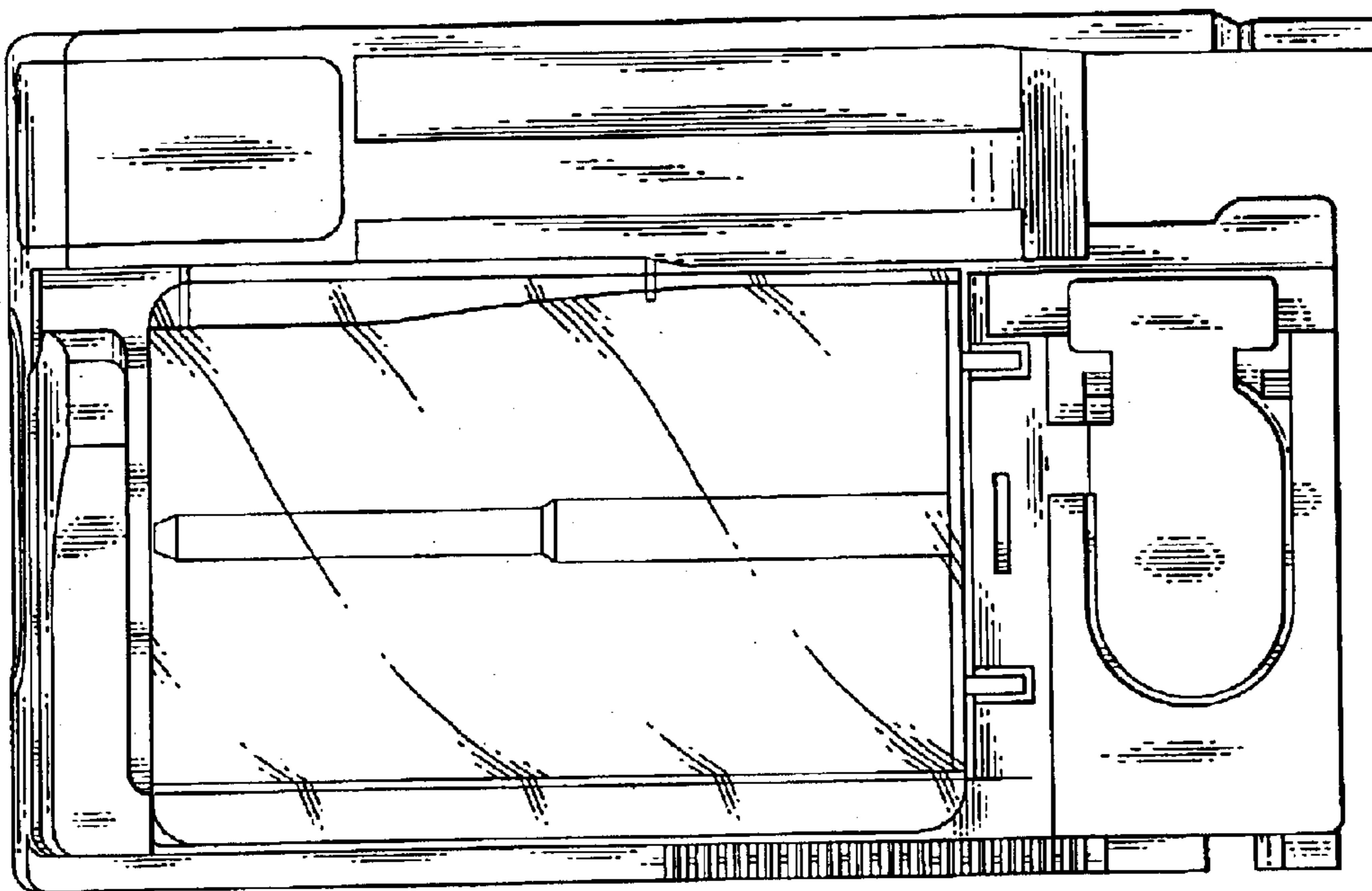


Fig. 5

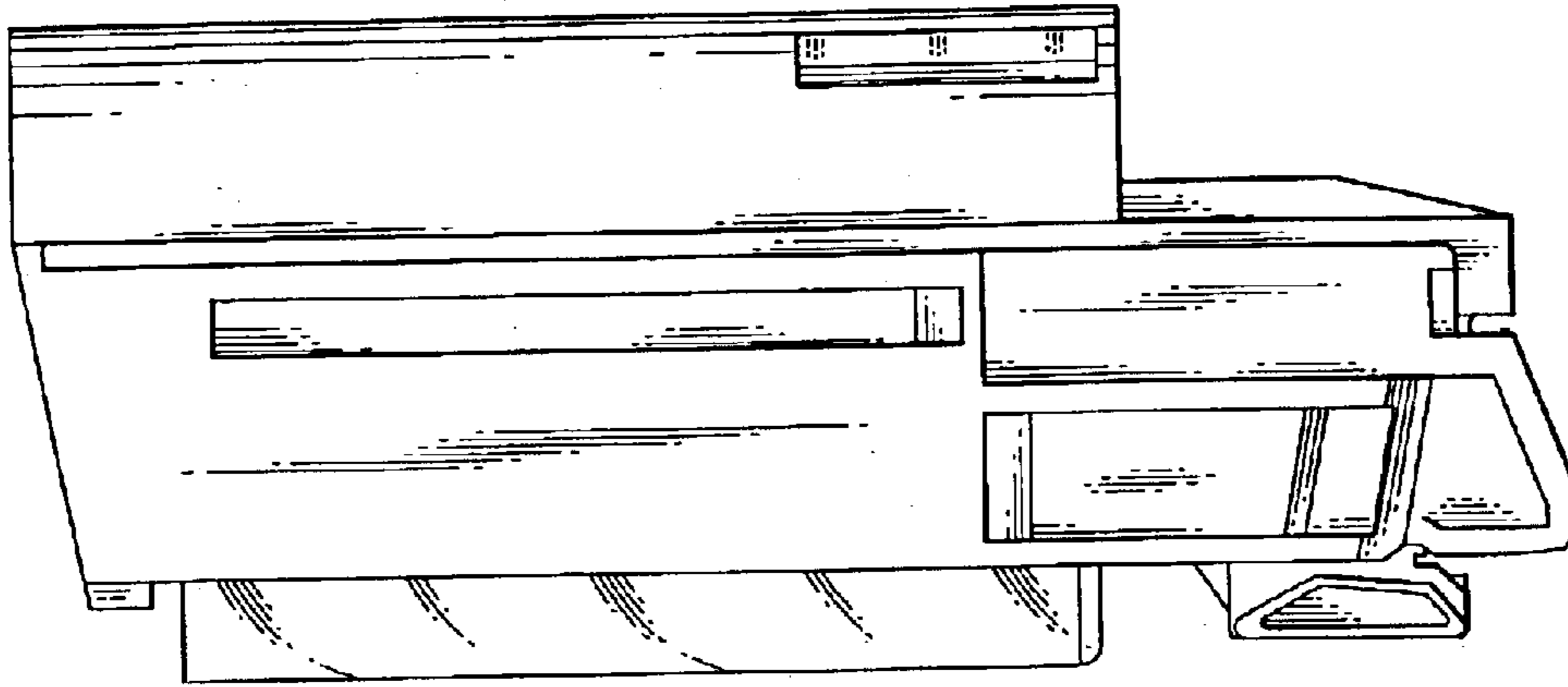


Fig. 8

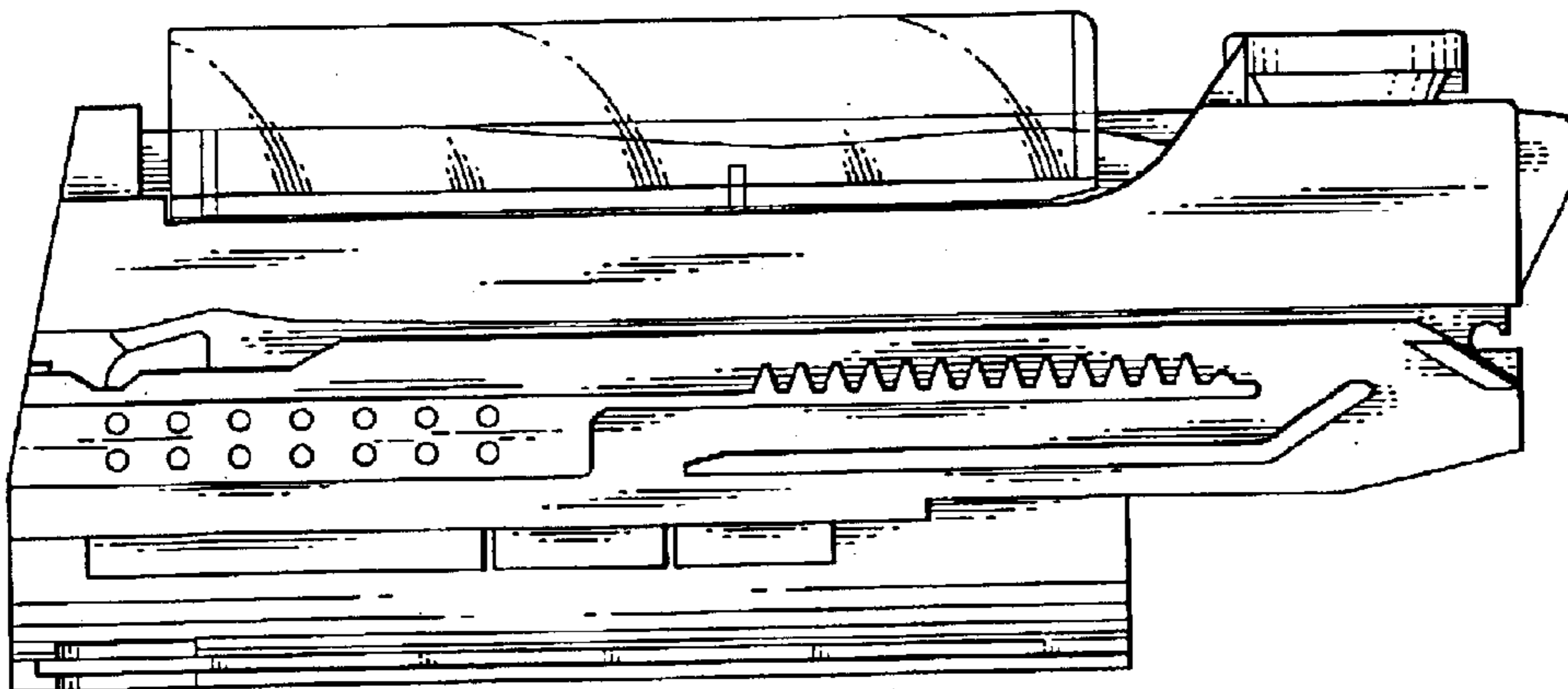


Fig. 7

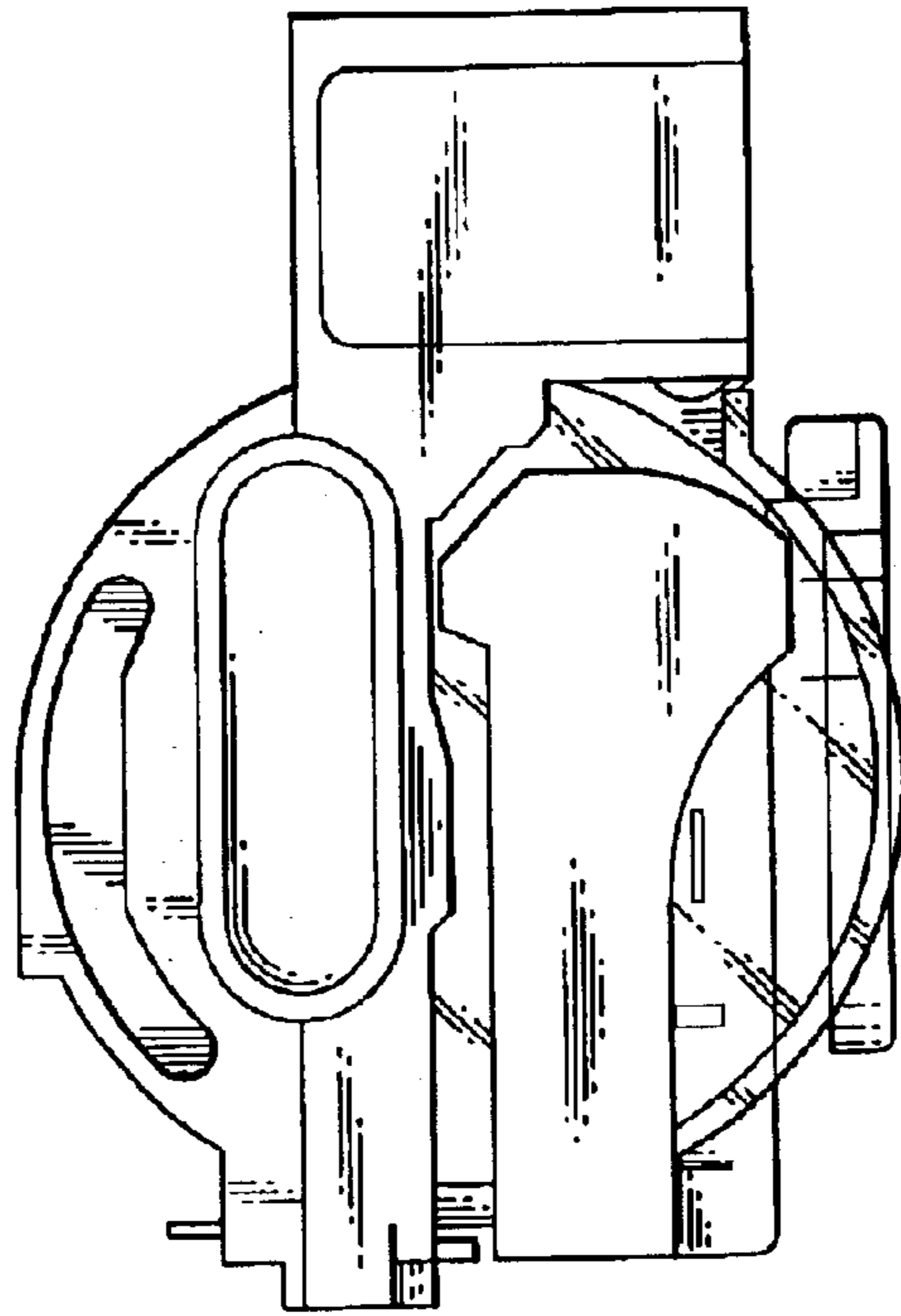


Fig. 10

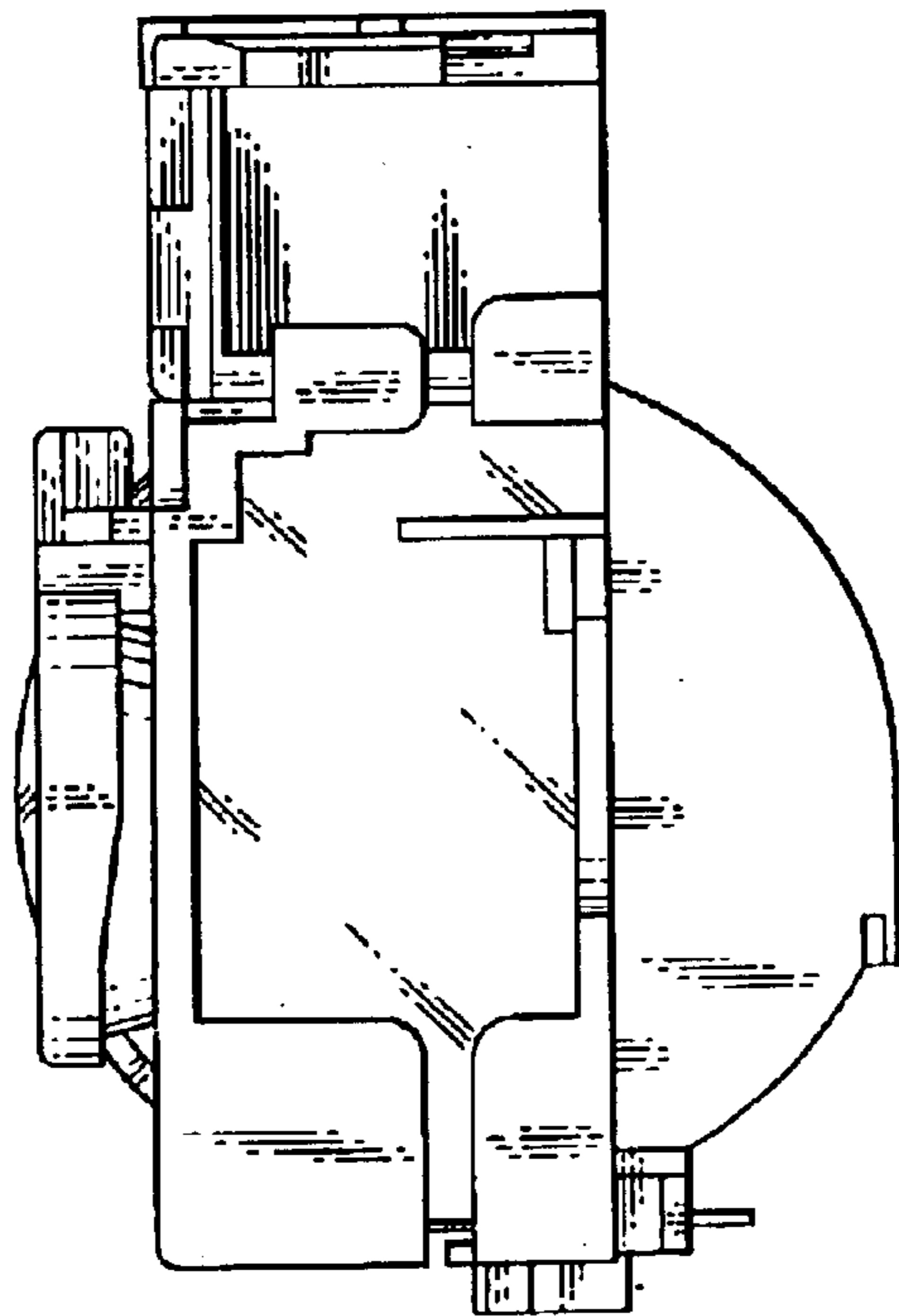


Fig. 9