

US00D499749S

(12) **United States Design Patent** (10) **Patent No.:** **US D499,749 S**
Lauder et al. (45) **Date of Patent:** **** Dec. 14, 2004**

(54) **GROUND ENGAGING TOOTH**

(75) Inventors: **Brian L. Lauder**, Tulsa, OK (US);
Charles Clendenning, Broken Arrow,
OK (US)

(73) Assignee: **H&L Tooth Company**, Tulsa, OK (US)

(**) Term: **14 Years**

(21) Appl. No.: **29/191,798**

(22) Filed: **Oct. 14, 2003**

(51) **LOC (7) Cl.** **15-03**

(52) **U.S. Cl.** **D15/29**

(58) **Field of Search** D15/28, 29, 25,
D15/32; 37/446, 452-454; 172/699, 713

(56) **References Cited**

U.S. PATENT DOCUMENTS

3,444,633	A	5/1969	Hensley	
D285,206	S	* 8/1986	Johnson	D15/29
D285,691	S	* 9/1986	Johnson	D15/29
D286,205	S	* 10/1986	Jankowski et al.	D26/65
D329,243	S	9/1992	Robinson	D15/29
D336,304	S	6/1993	Robinson	D15/29
D345,364	S	3/1994	Robinson	D15/29
D365,577	S	12/1995	Ruvang	D15/29
D385,286	S	10/1997	Moreno	D15/29
D392,292	S	3/1998	Moreno	D15/29
D417,877	S	12/1999	Lauder et al.	D15/29
D436,116	S	1/2001	Clendenning	D15/29
D446,224	S	8/2001	Clendenning	D15/29
D447,154	S	8/2001	Clendenning	D15/29
D486,836	S	* 2/2004	Lauder et al.	D15/29

* cited by examiner

Primary Examiner—Mitchell Siegel

(74) *Attorney, Agent, or Firm*—John W. Harbst

(57) **CLAIM**

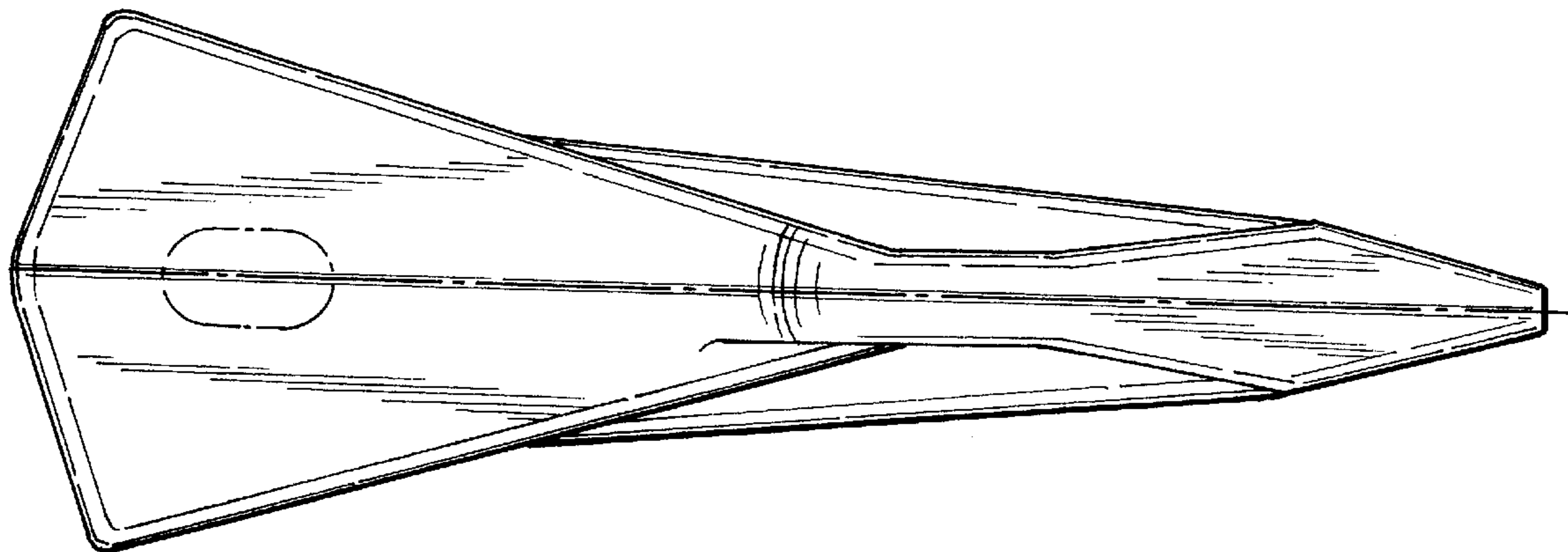
The ornamental design for a ground engaging tooth, as shown and described.

DESCRIPTION

FIG. 1 is a right side elevational view of one embodiment of a ground engaging tooth showing our new design;
 FIG. 2 is a top plan view thereof;
 FIG. 3 is a bottom plan view thereof;
 FIG. 4 is a right side elevational view thereof;
 FIG. 5 is front elevational view thereof;
 FIG. 6 is a rear elevational view thereof;
 FIG. 7 is a right side elevational view of a second embodiment of our new design;
 FIG. 8 is a top plan view thereof;
 FIG. 9 is a bottom plan view thereof;
 FIG. 10 is a right side elevational view thereof;
 FIG. 11 is front elevational view thereof;
 FIG. 12 is a rear elevational view thereof;
 FIG. 13 is a right side elevational view of a third embodiment of our new design;
 FIG. 14 is a top plan view thereof;
 FIG. 15 is a bottom plan view thereof;
 FIG. 16 is a right side elevational view thereof;
 FIG. 17 is front elevational view thereof;
 FIG. 18 is a rear elevational view thereof;
 FIG. 19 is a right side elevational view of a fourth embodiment of our new design;
 FIG. 20 is a top plan view thereof;
 FIG. 21 is a bottom plan view thereof;
 FIG. 22 is a right side elevational view thereof;
 FIG. 23 is front elevational view thereof; and,
 FIG. 24 is a rear elevational view thereof.

The phantom lines shown in various drawing Figures form no part of the present invention.

1 Claim, 12 Drawing Sheets



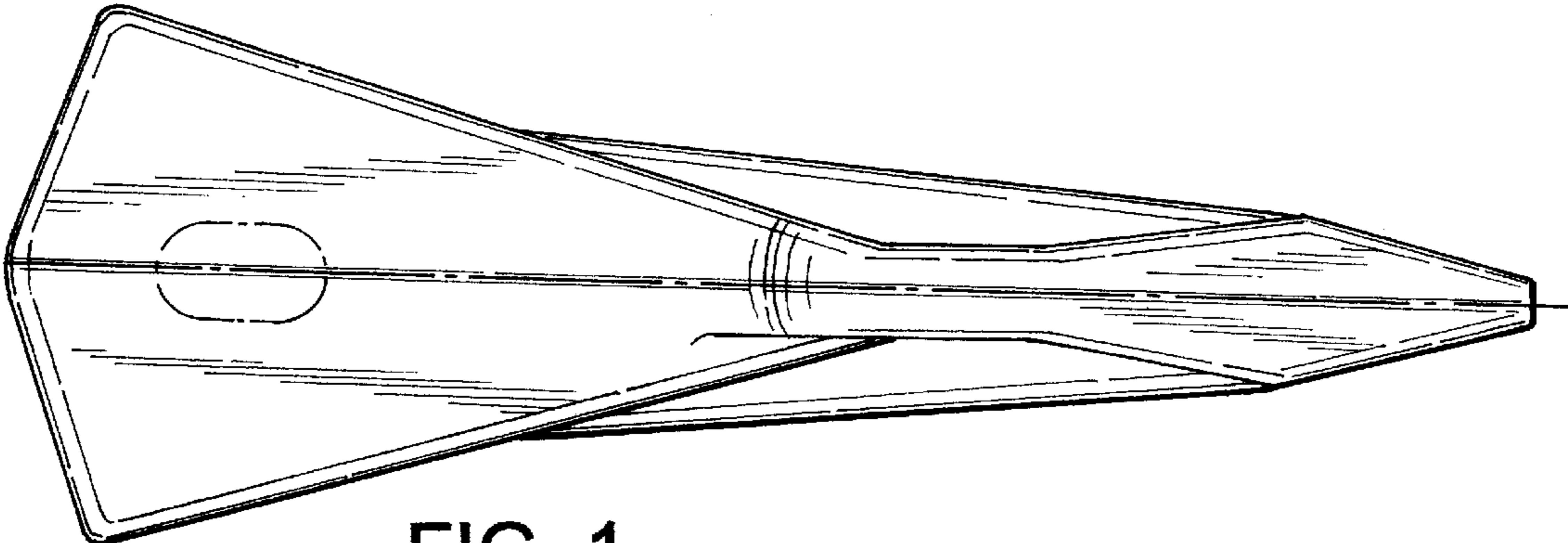


FIG. 1

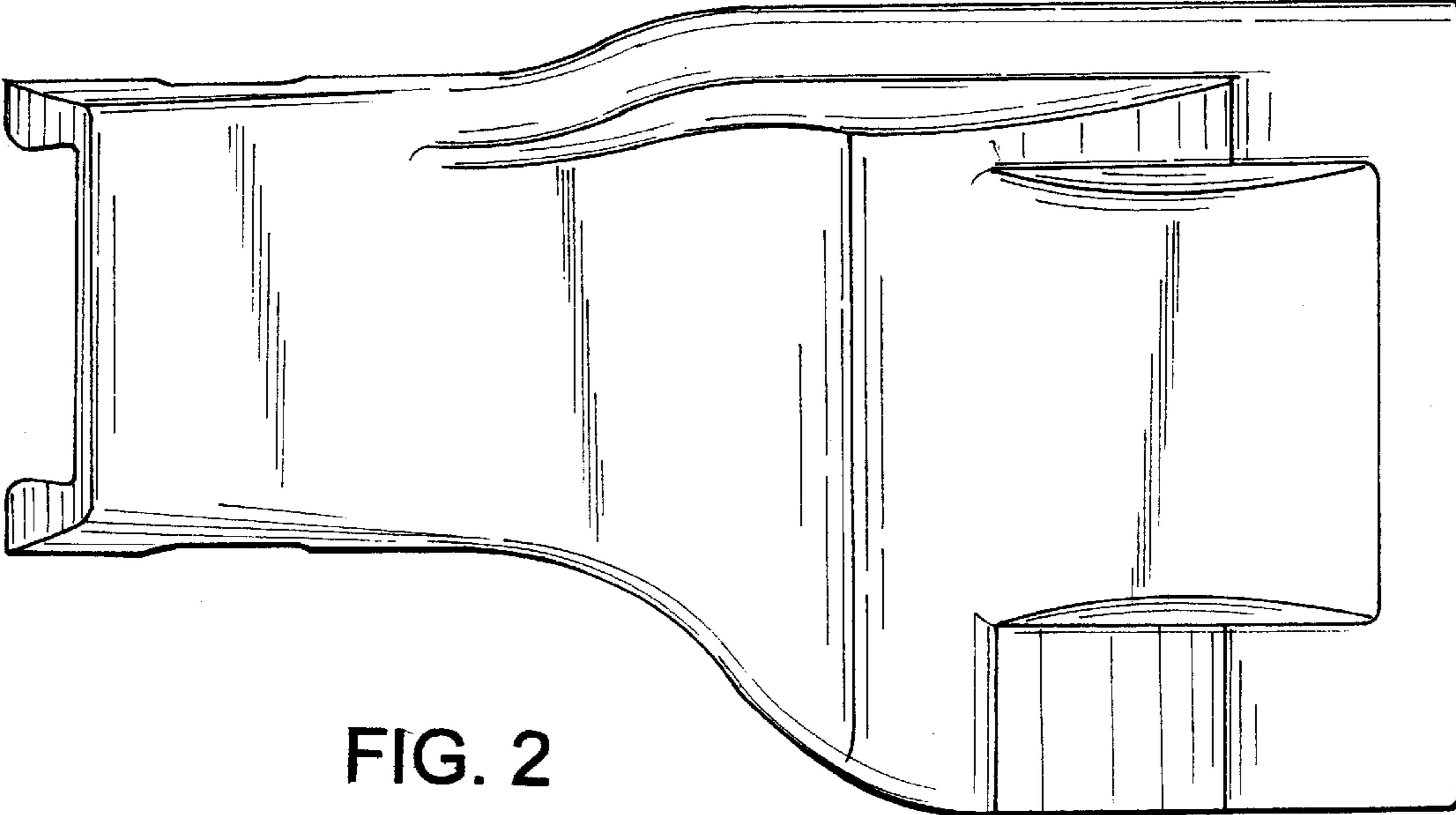


FIG. 2

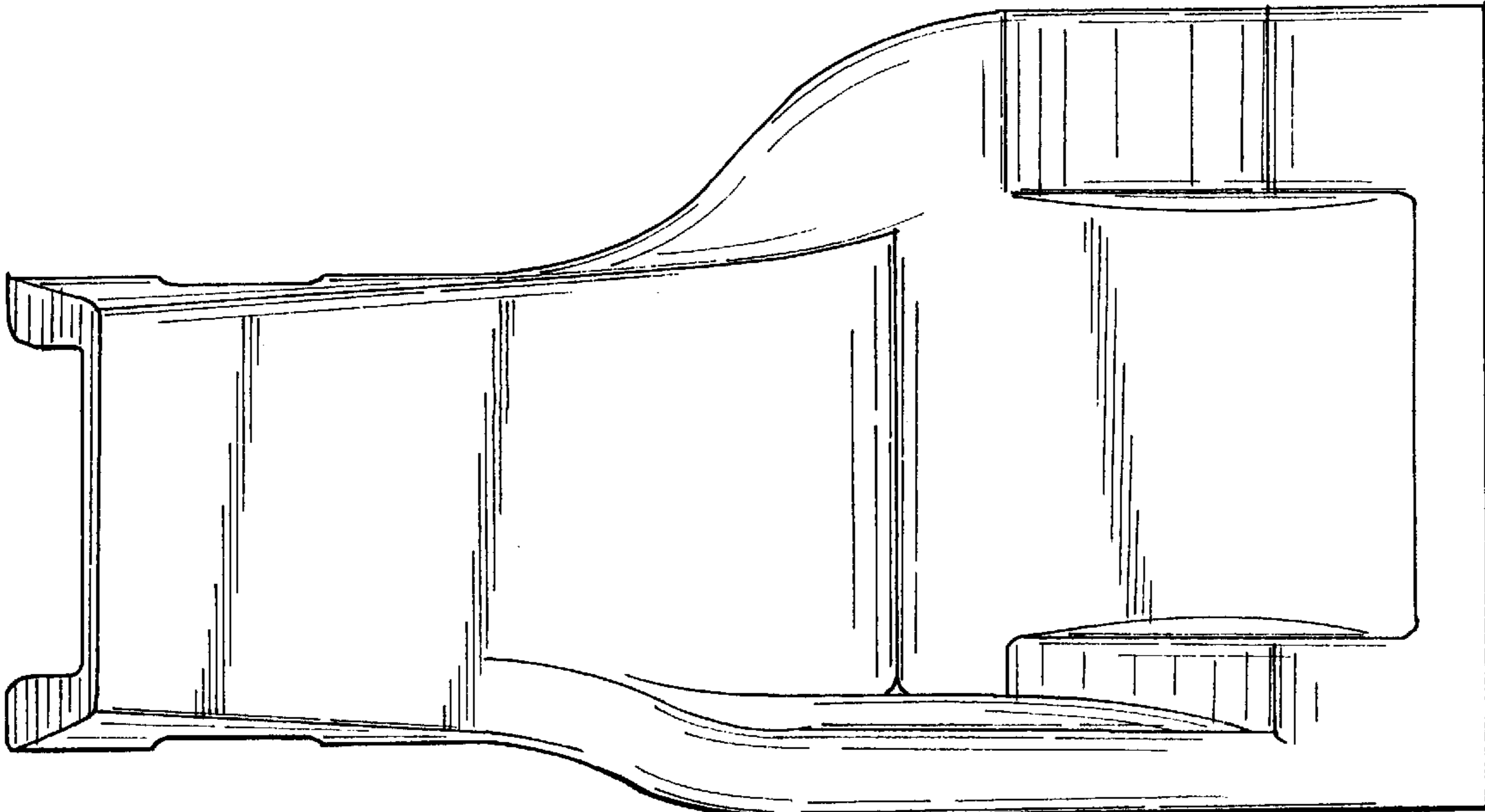


FIG. 3

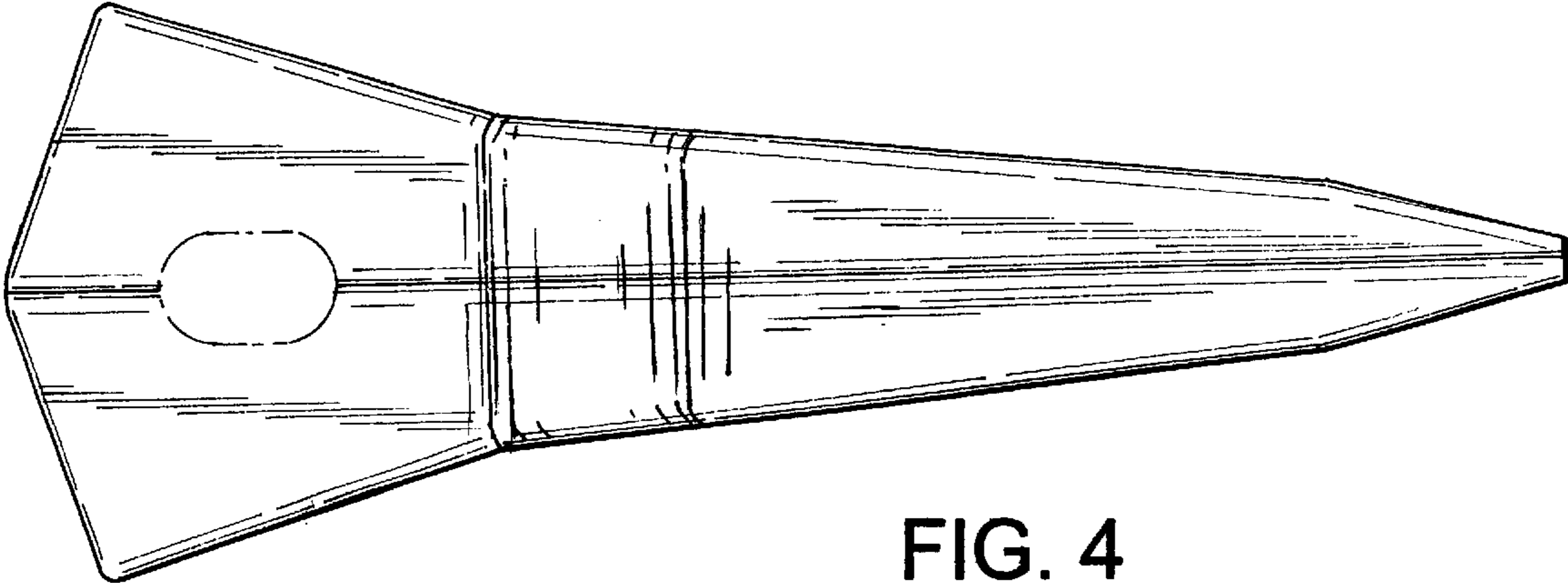


FIG. 4

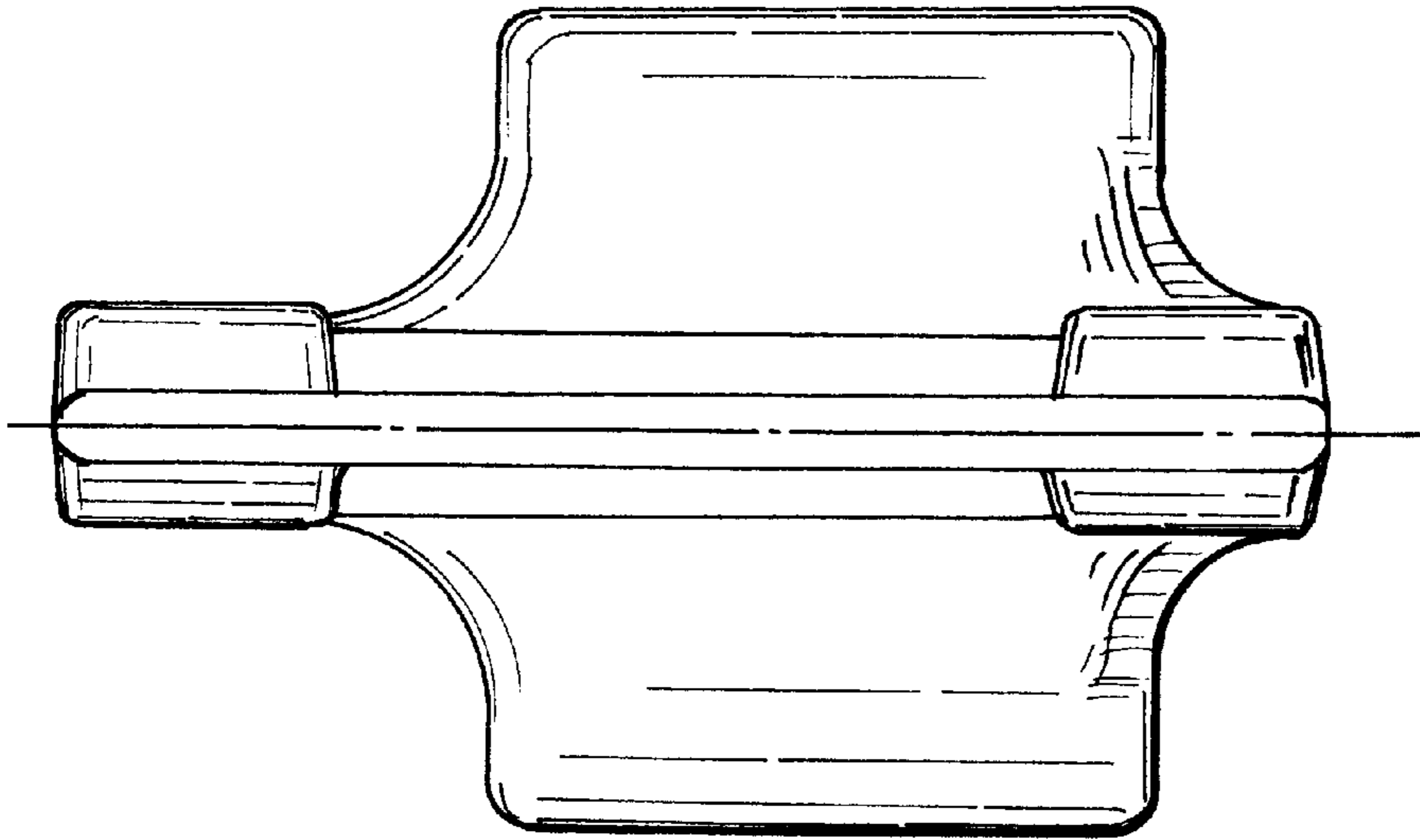


FIG. 5

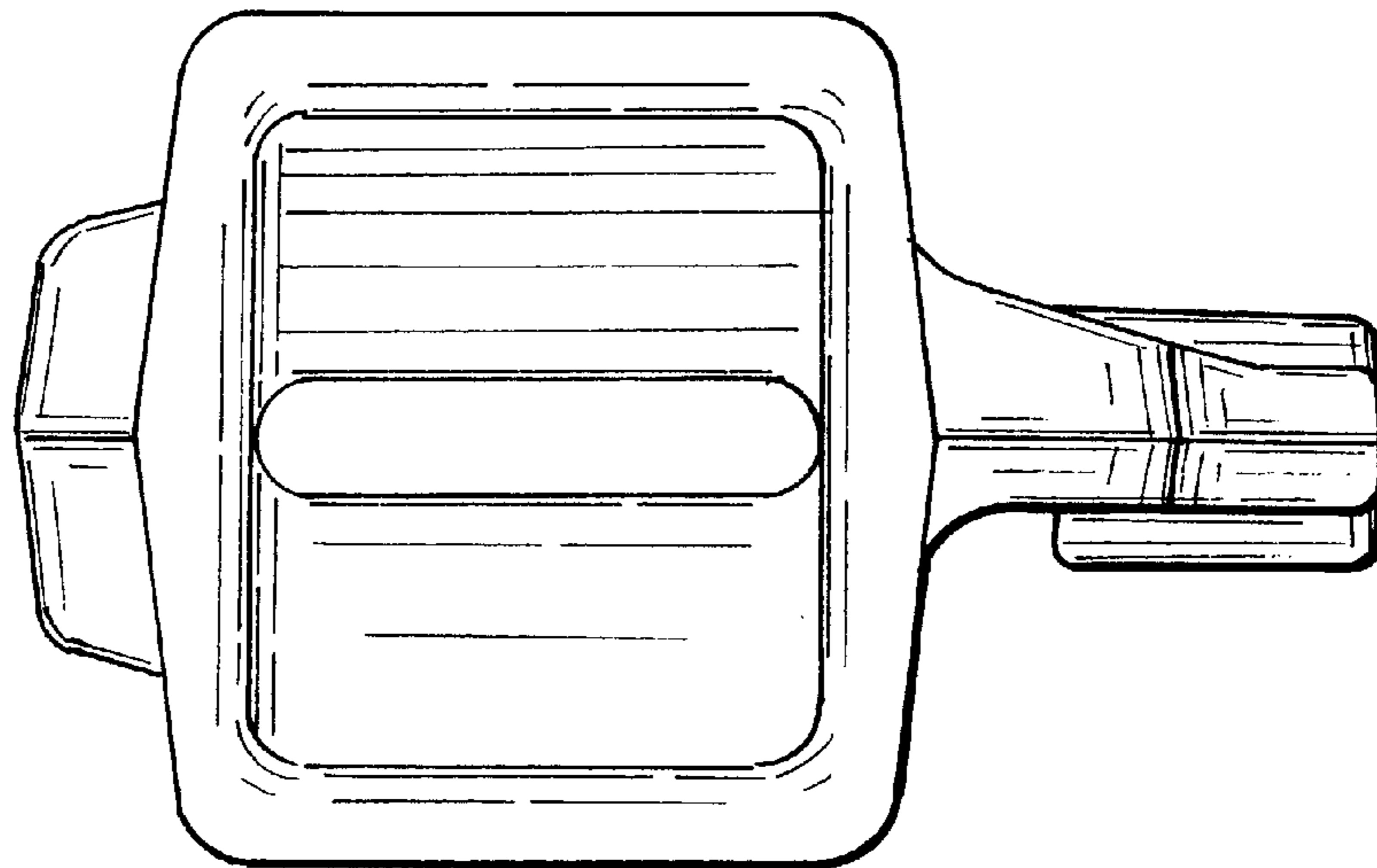


FIG. 6

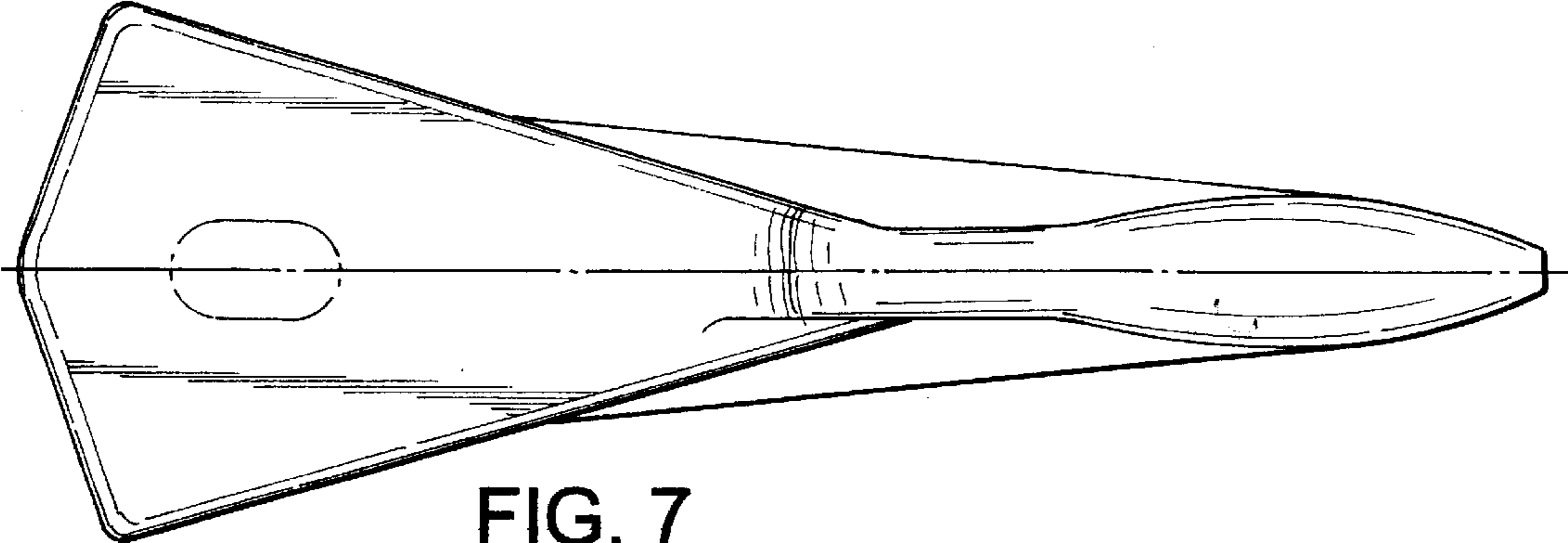


FIG. 7

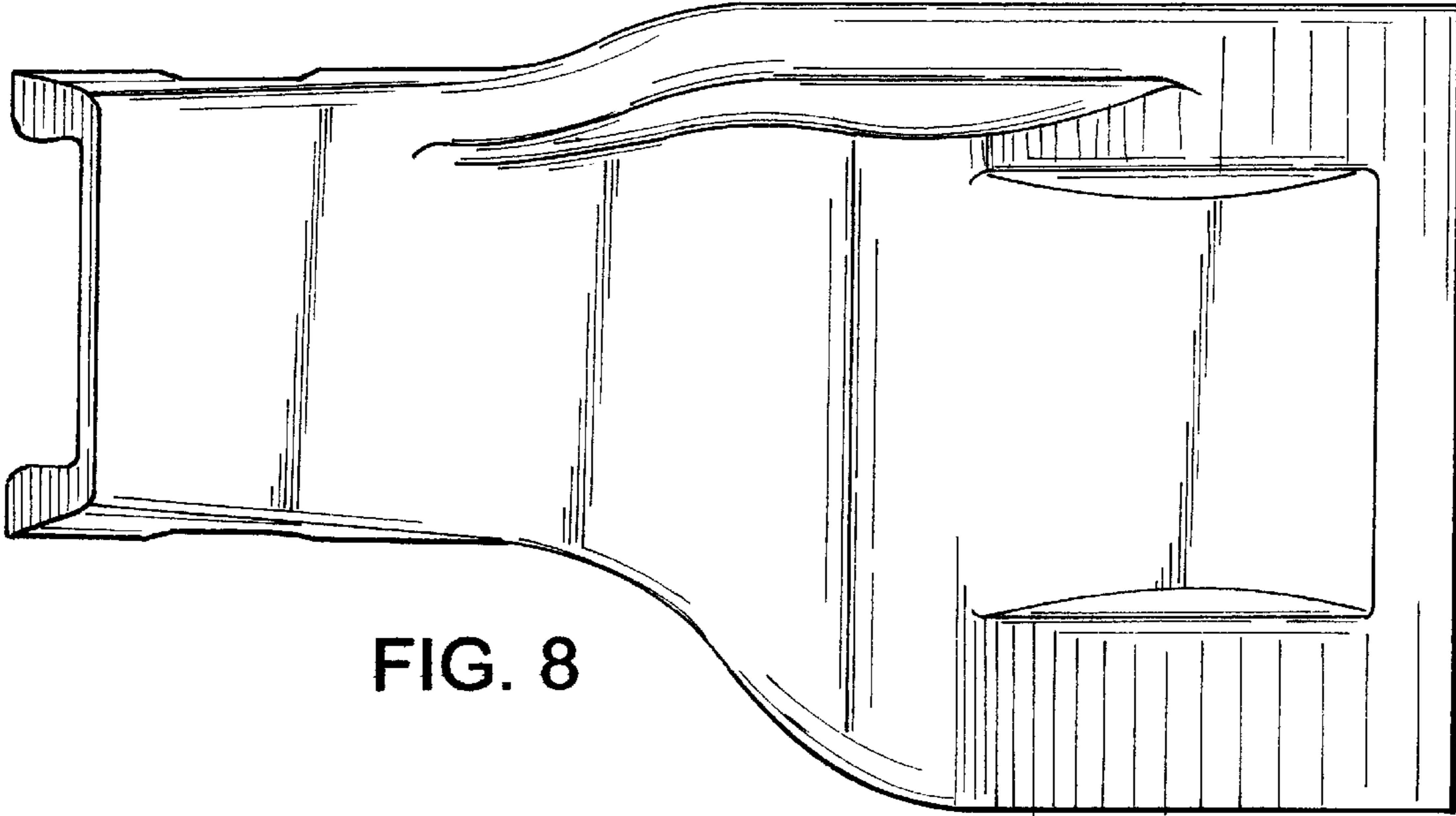


FIG. 8

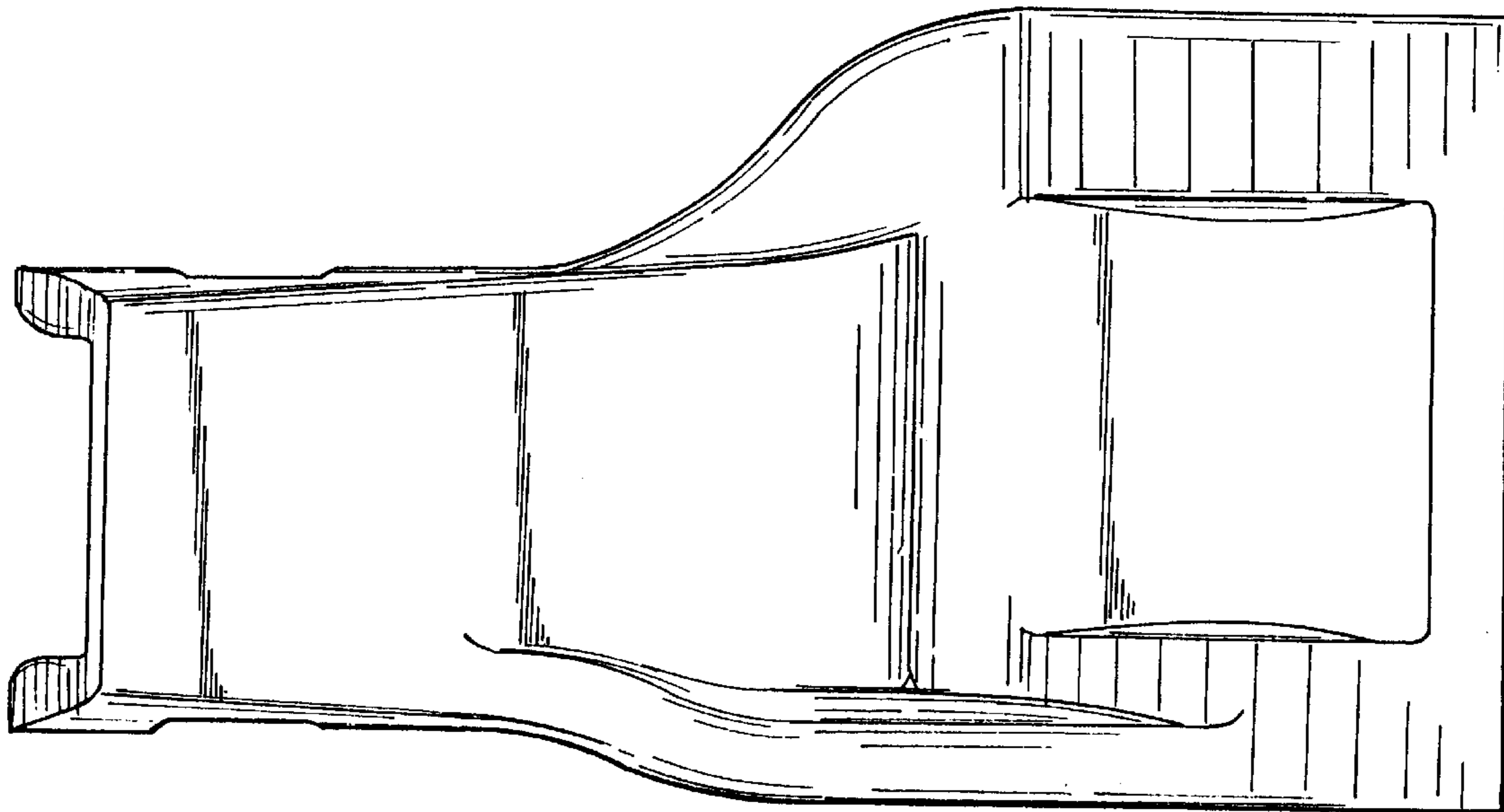


FIG. 9

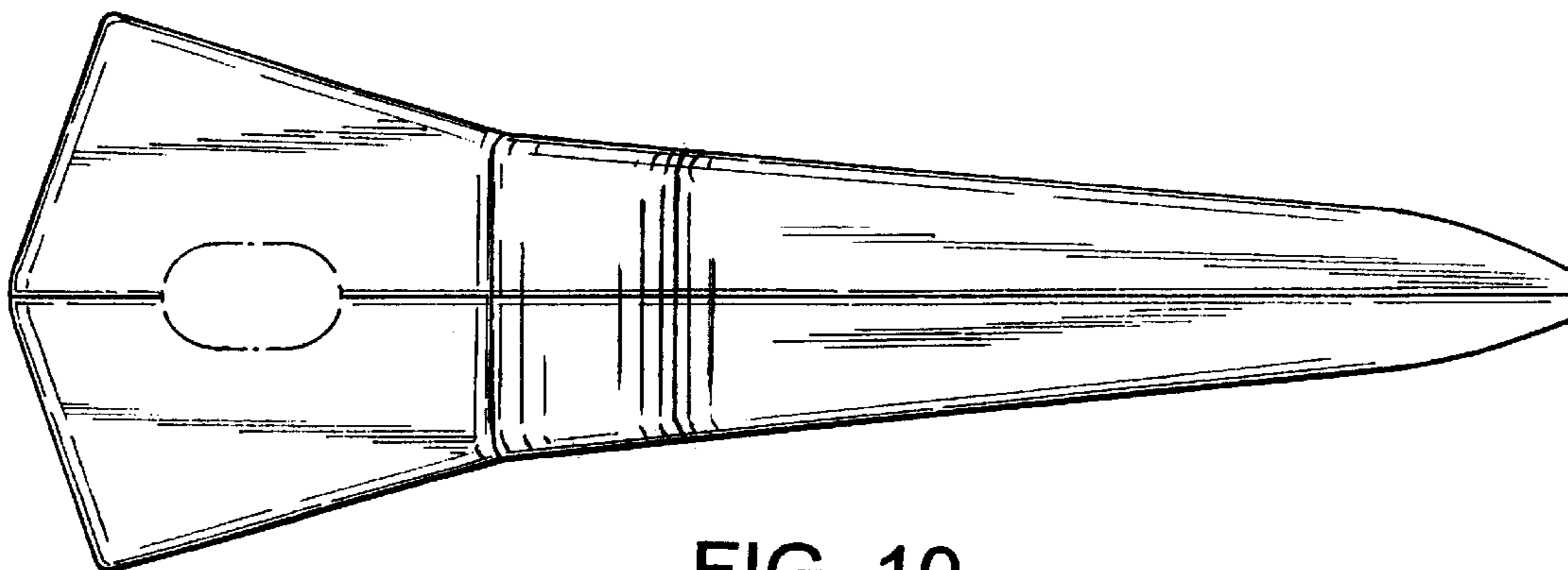


FIG. 10

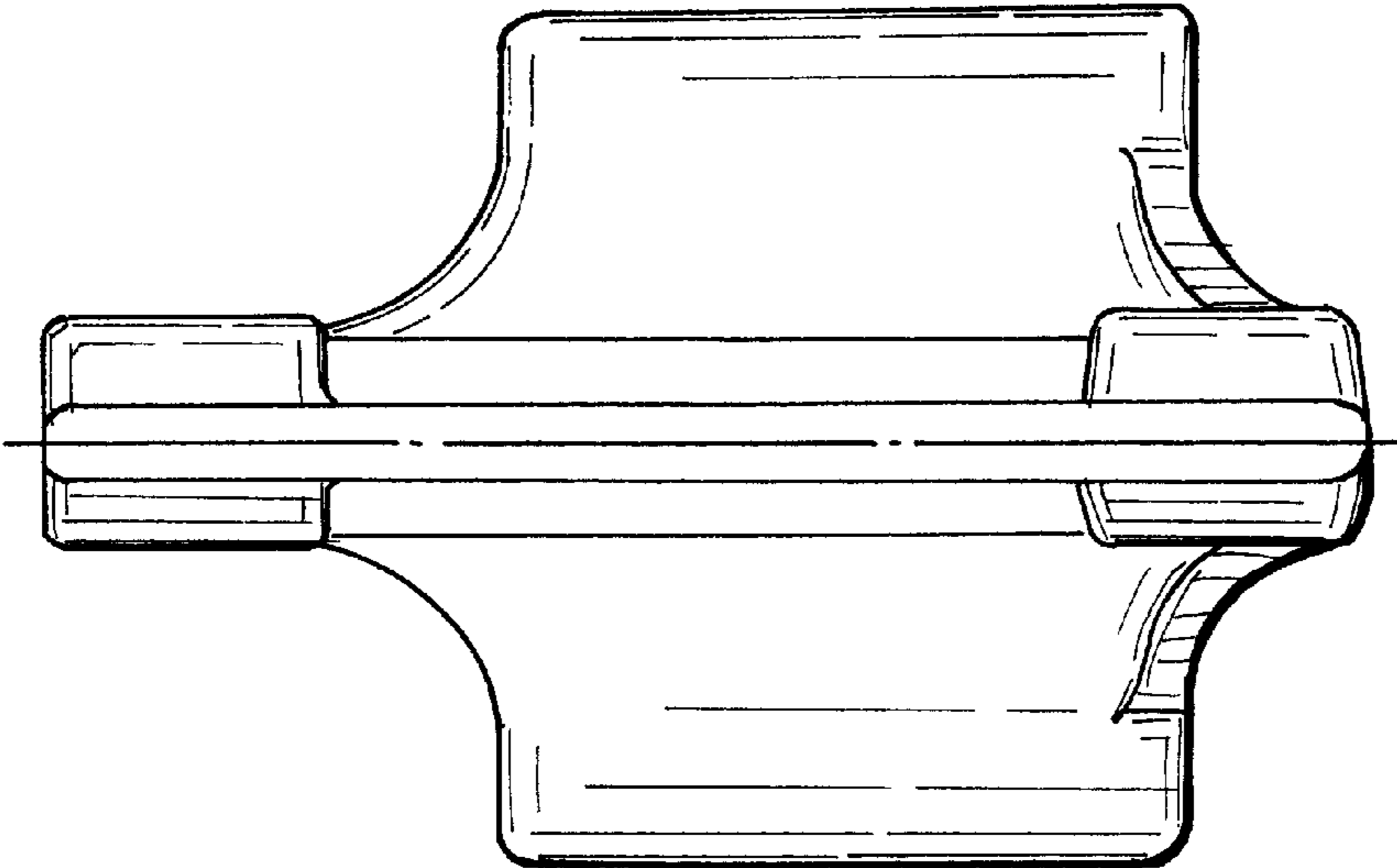


FIG. 11

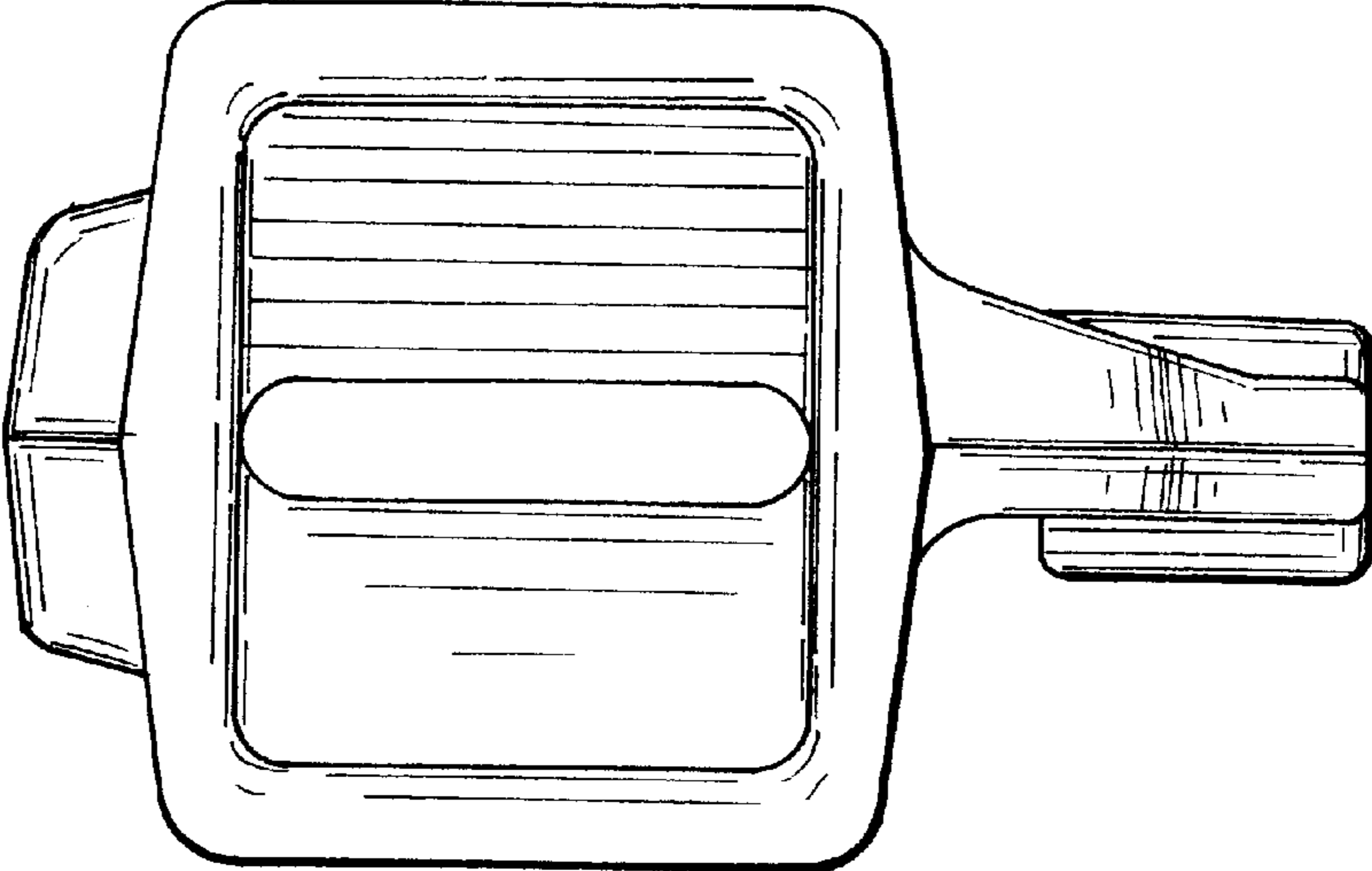


FIG. 12

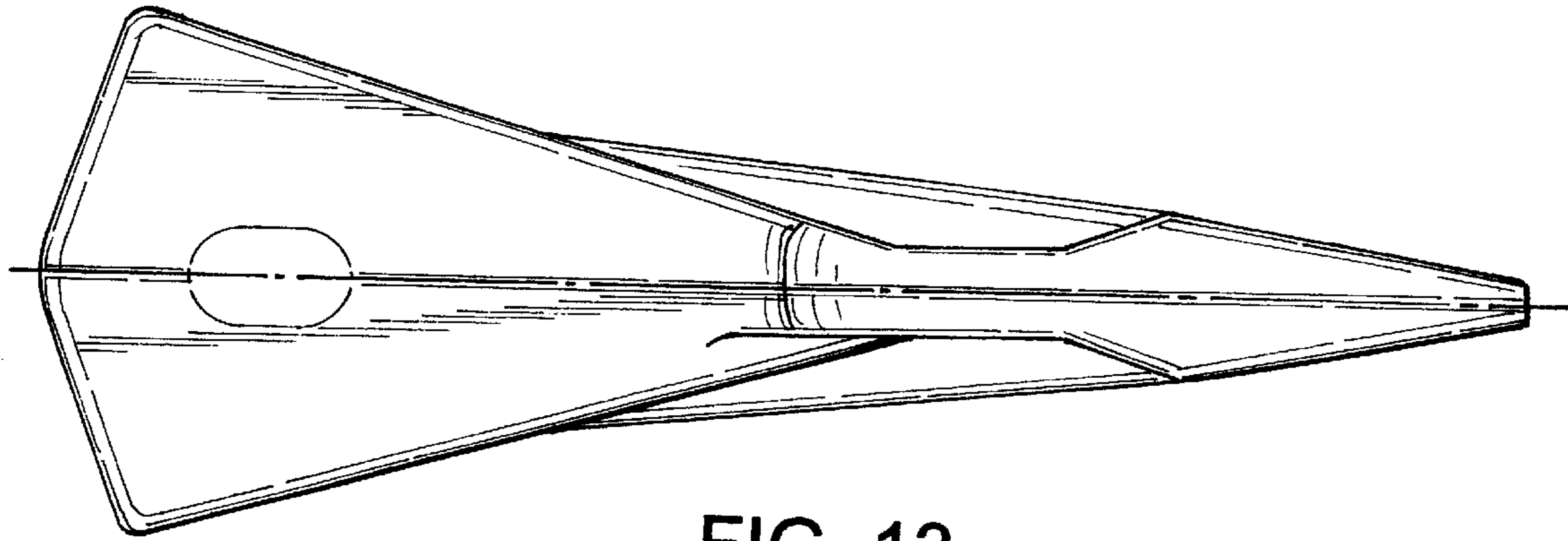


FIG. 13

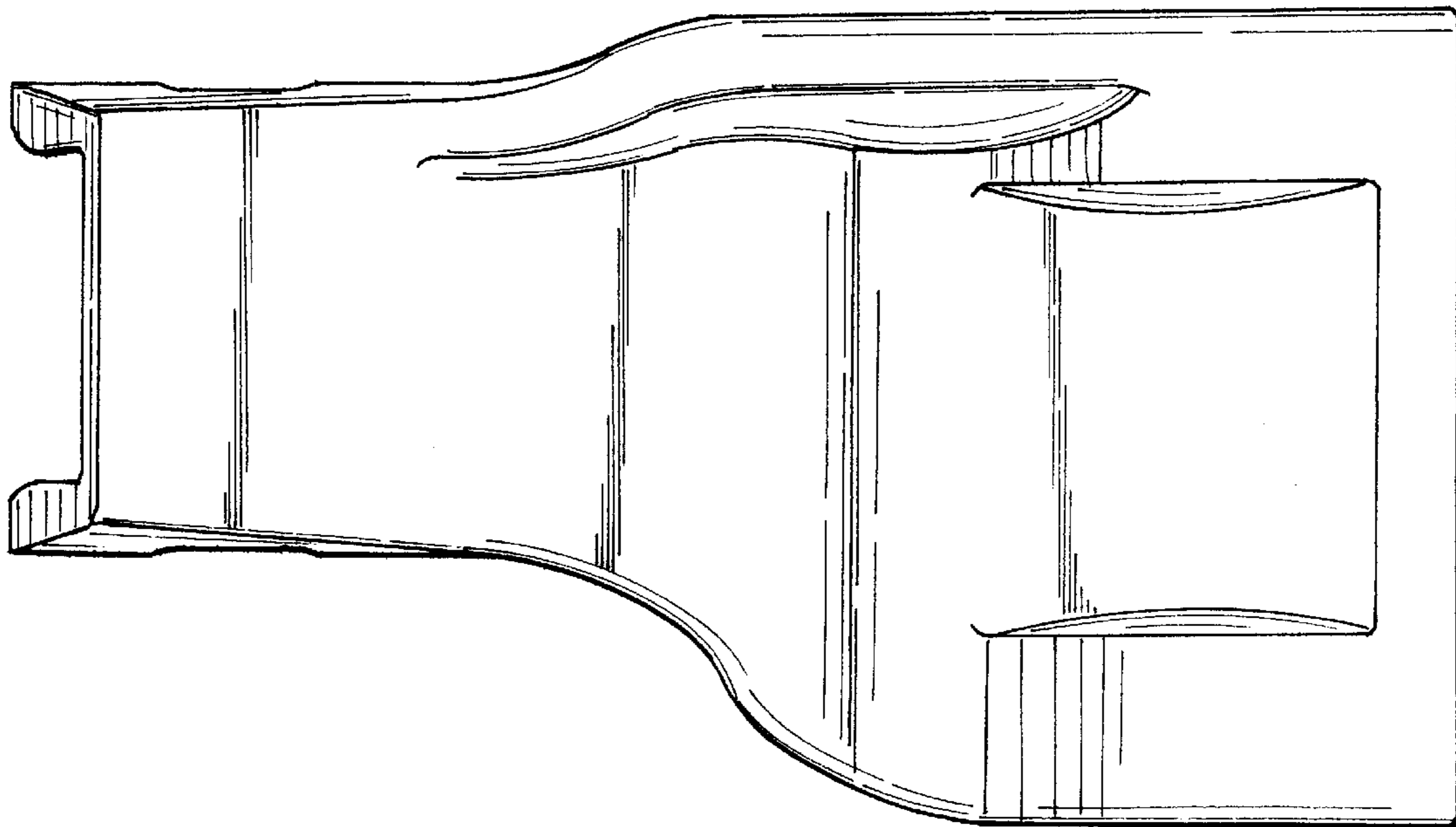


FIG. 14

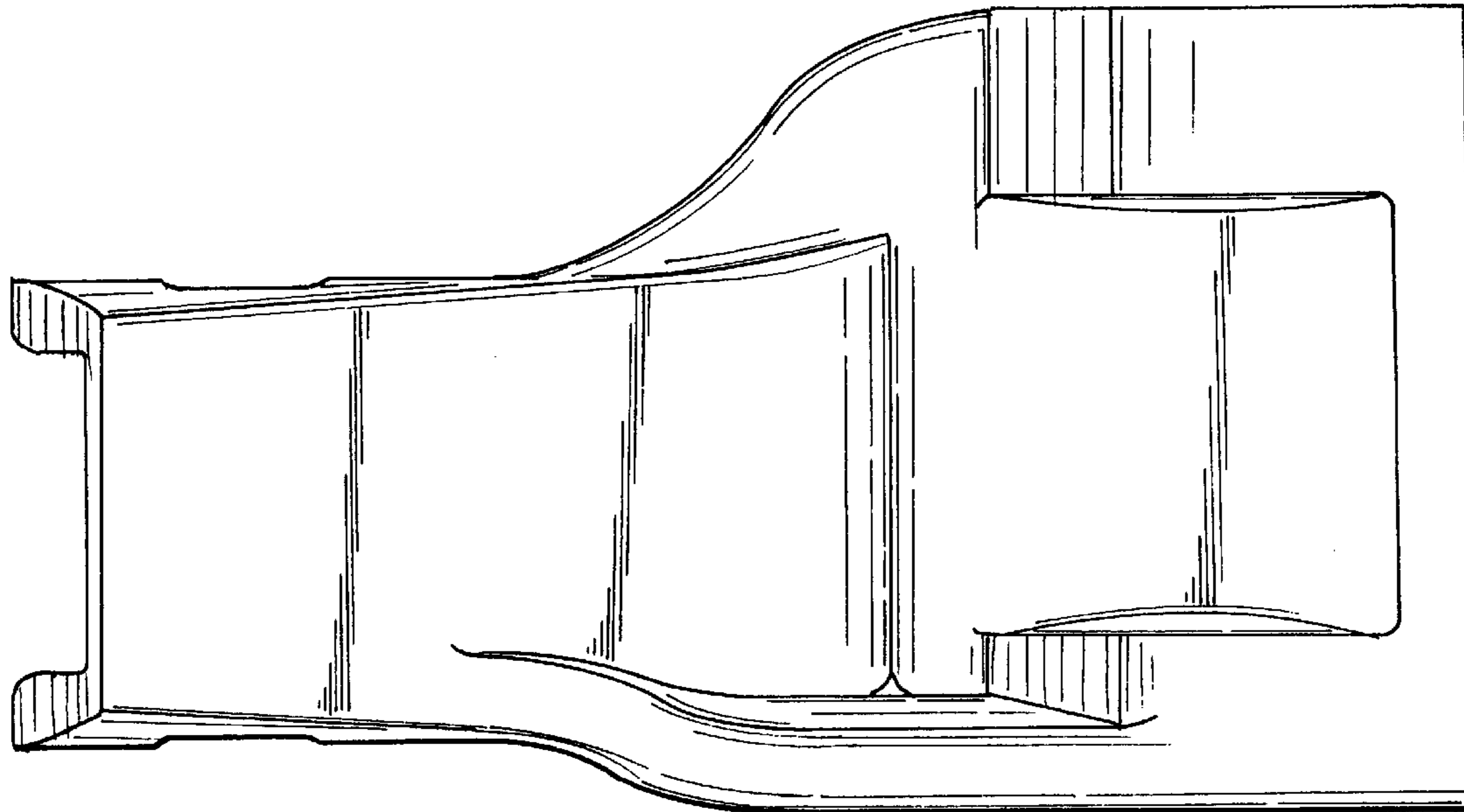


FIG. 15

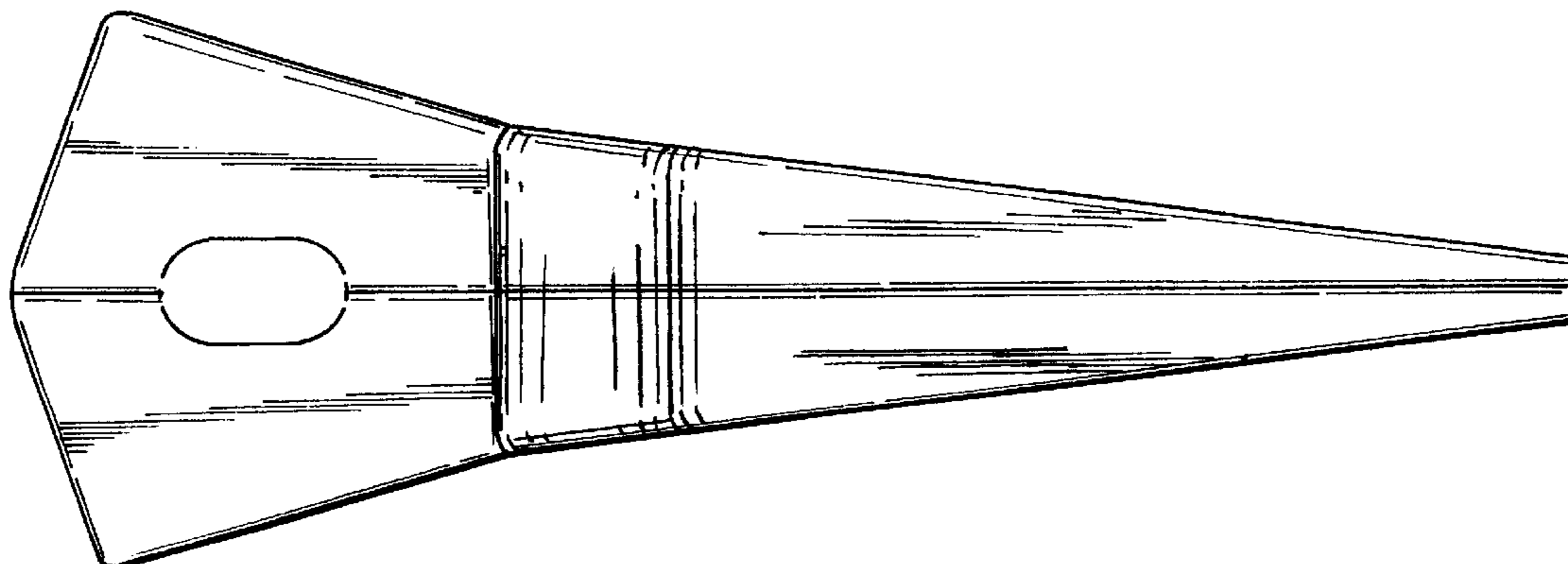


FIG. 16

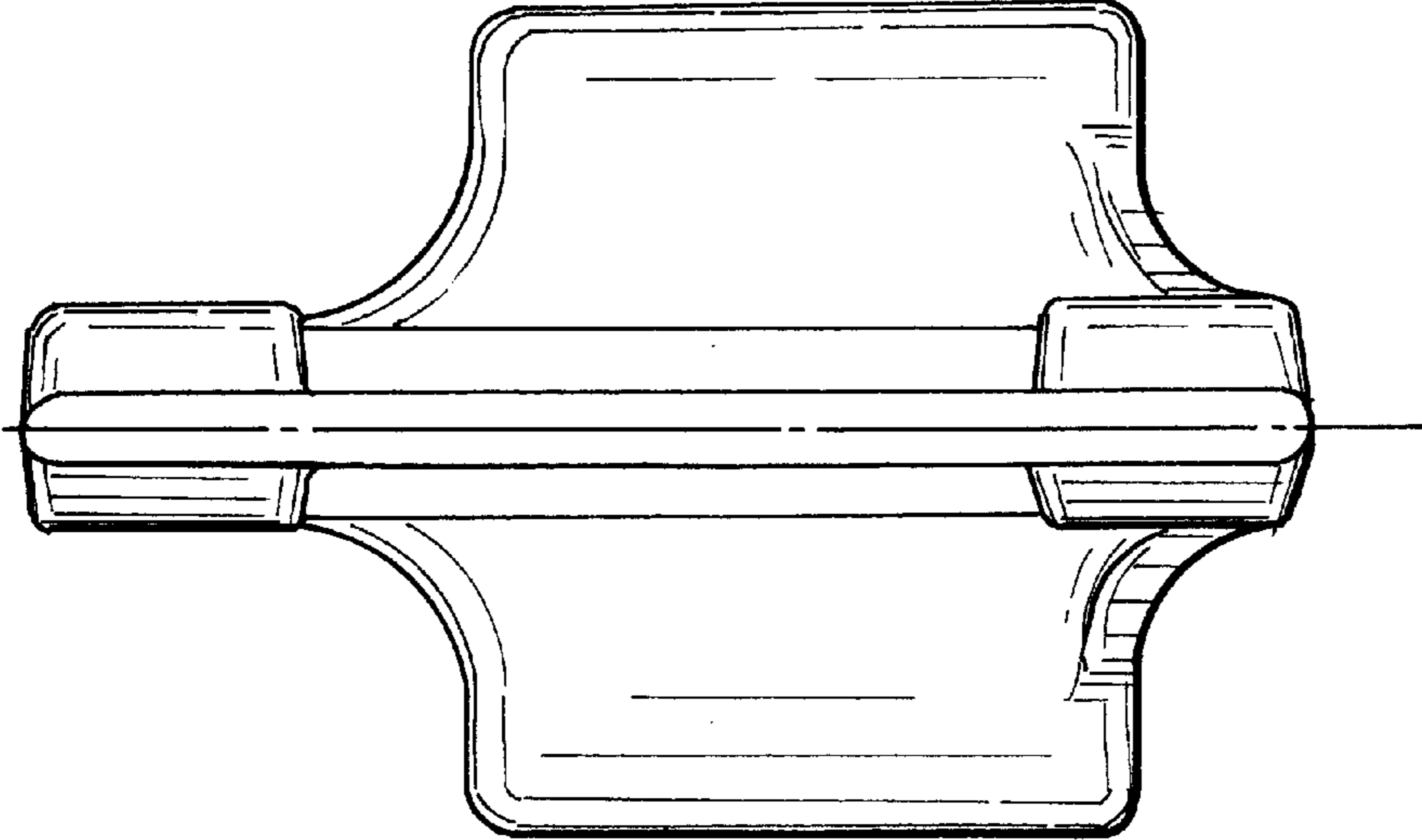


FIG. 17

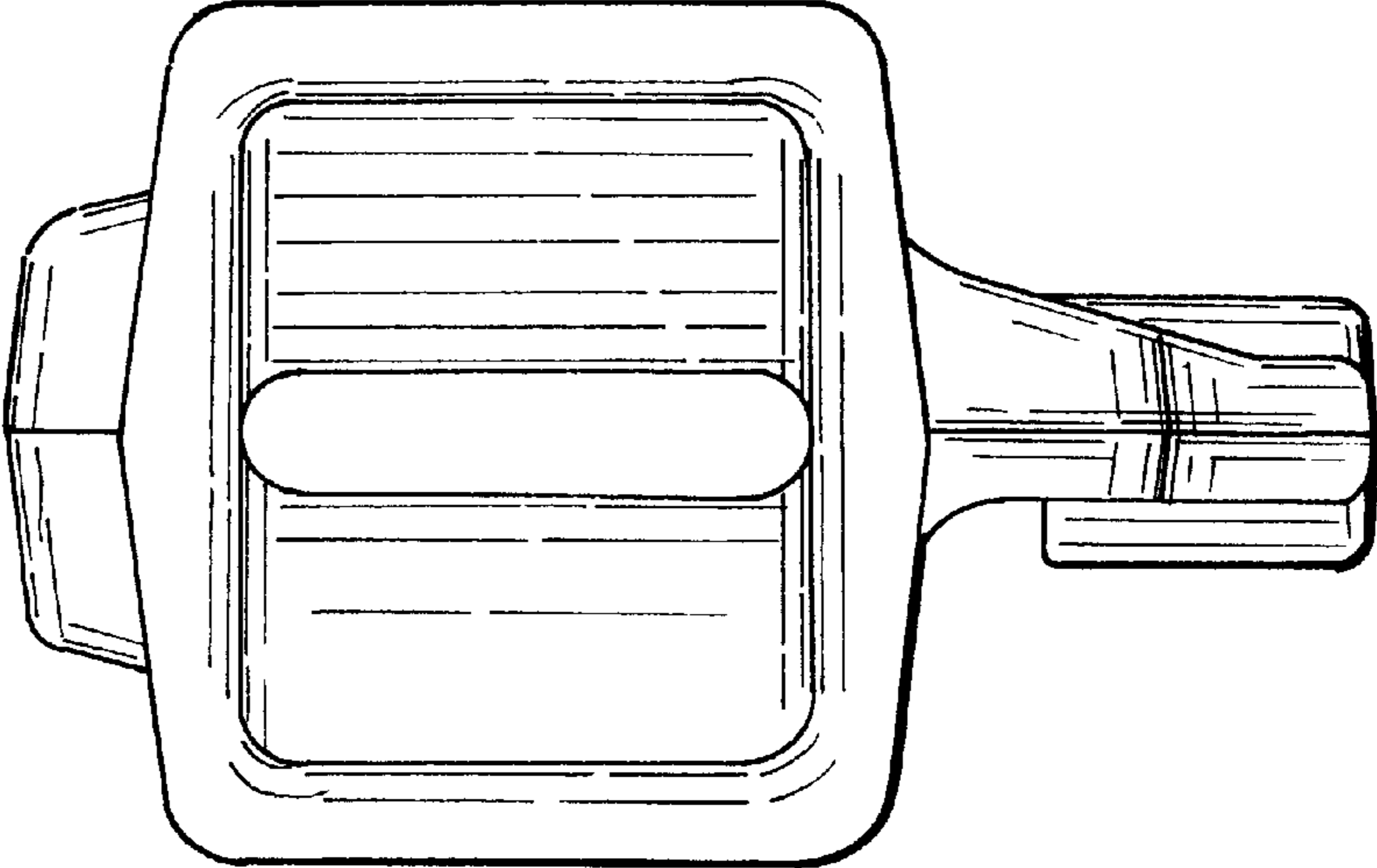


FIG. 18

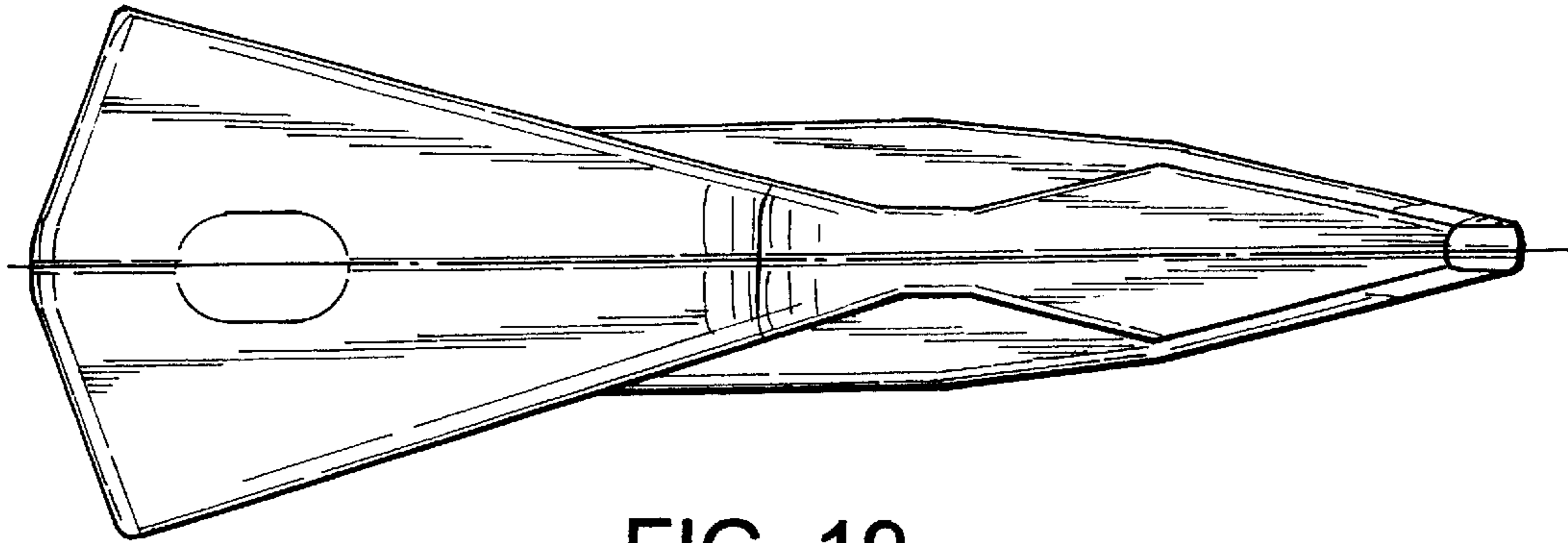


FIG. 19

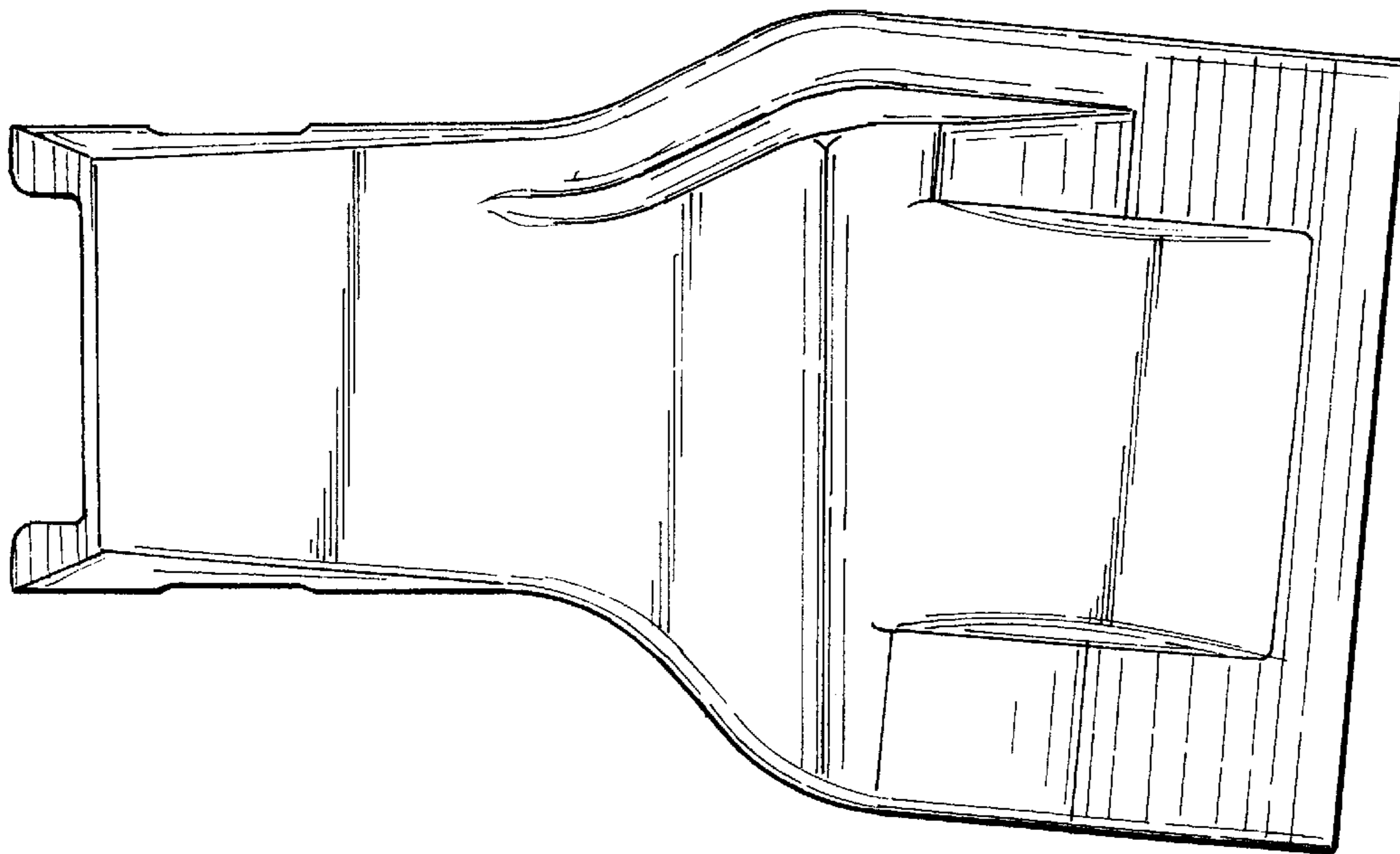


FIG. 20

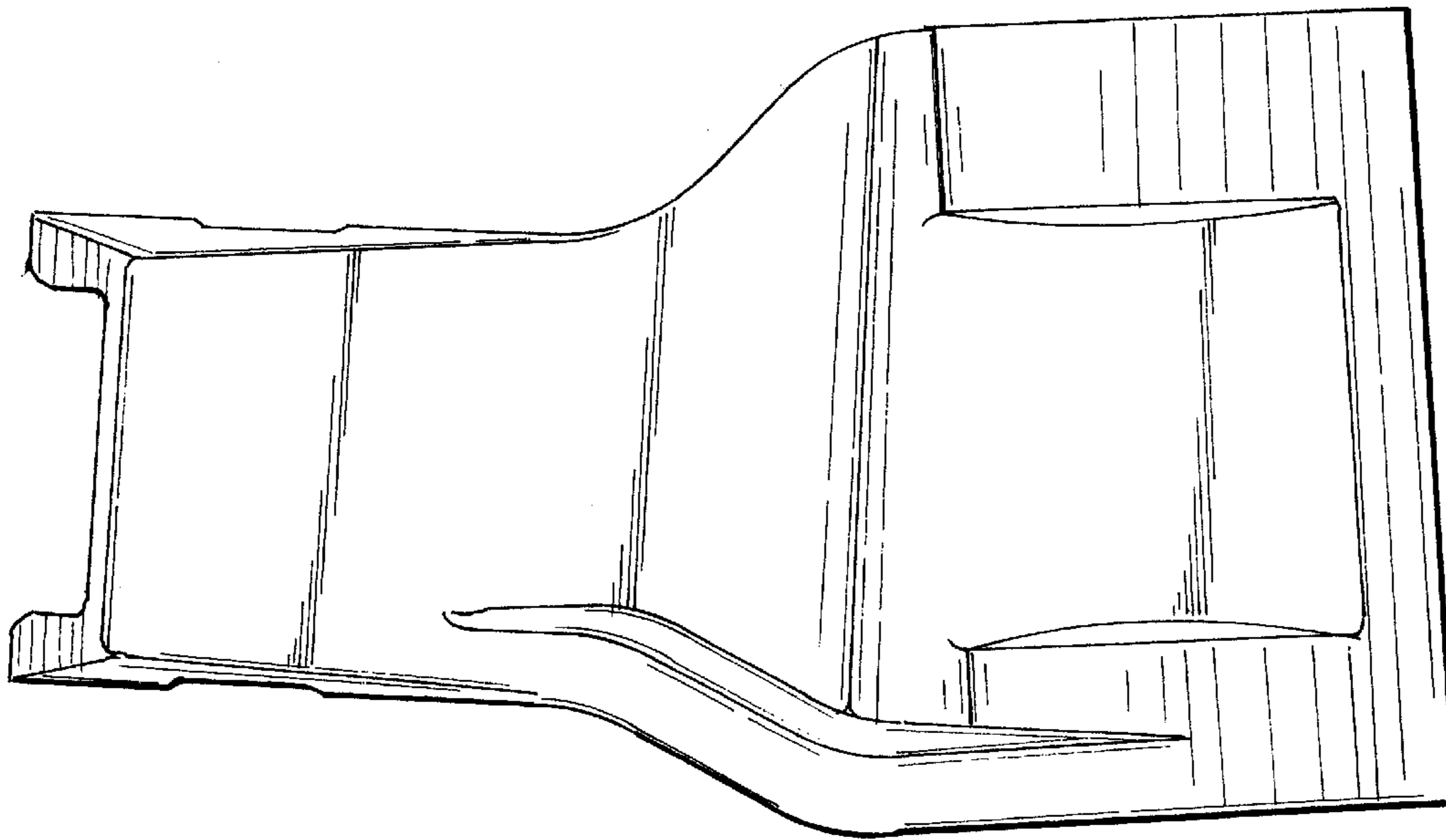


FIG. 21

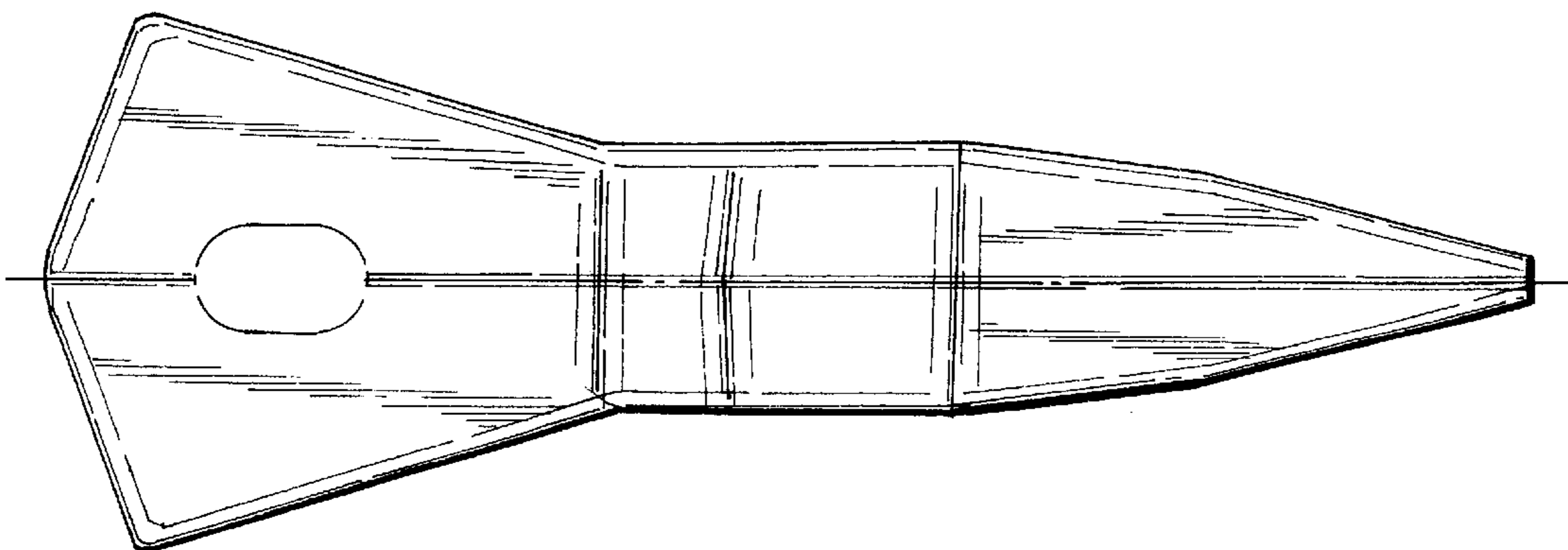


FIG. 22

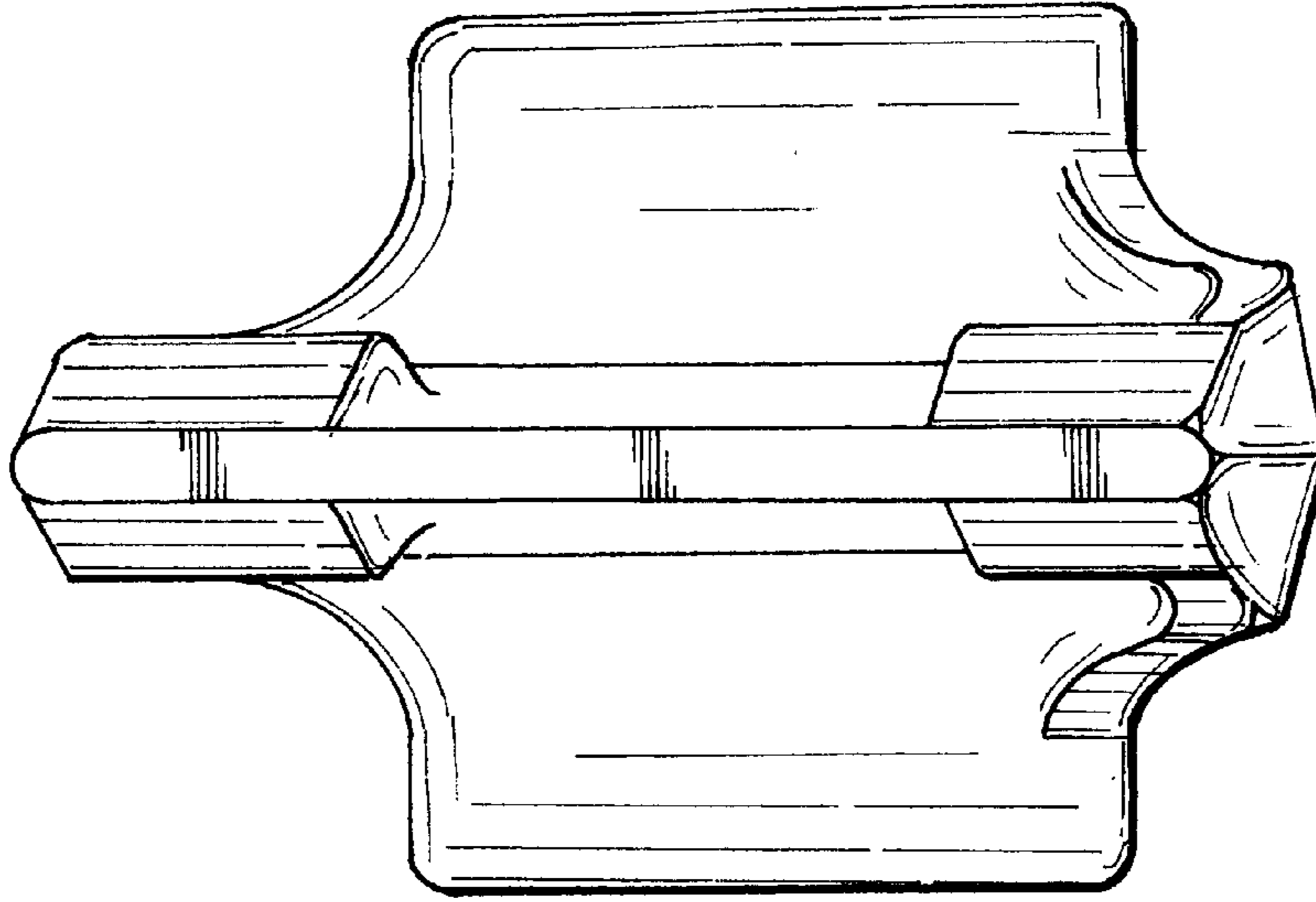


FIG. 23

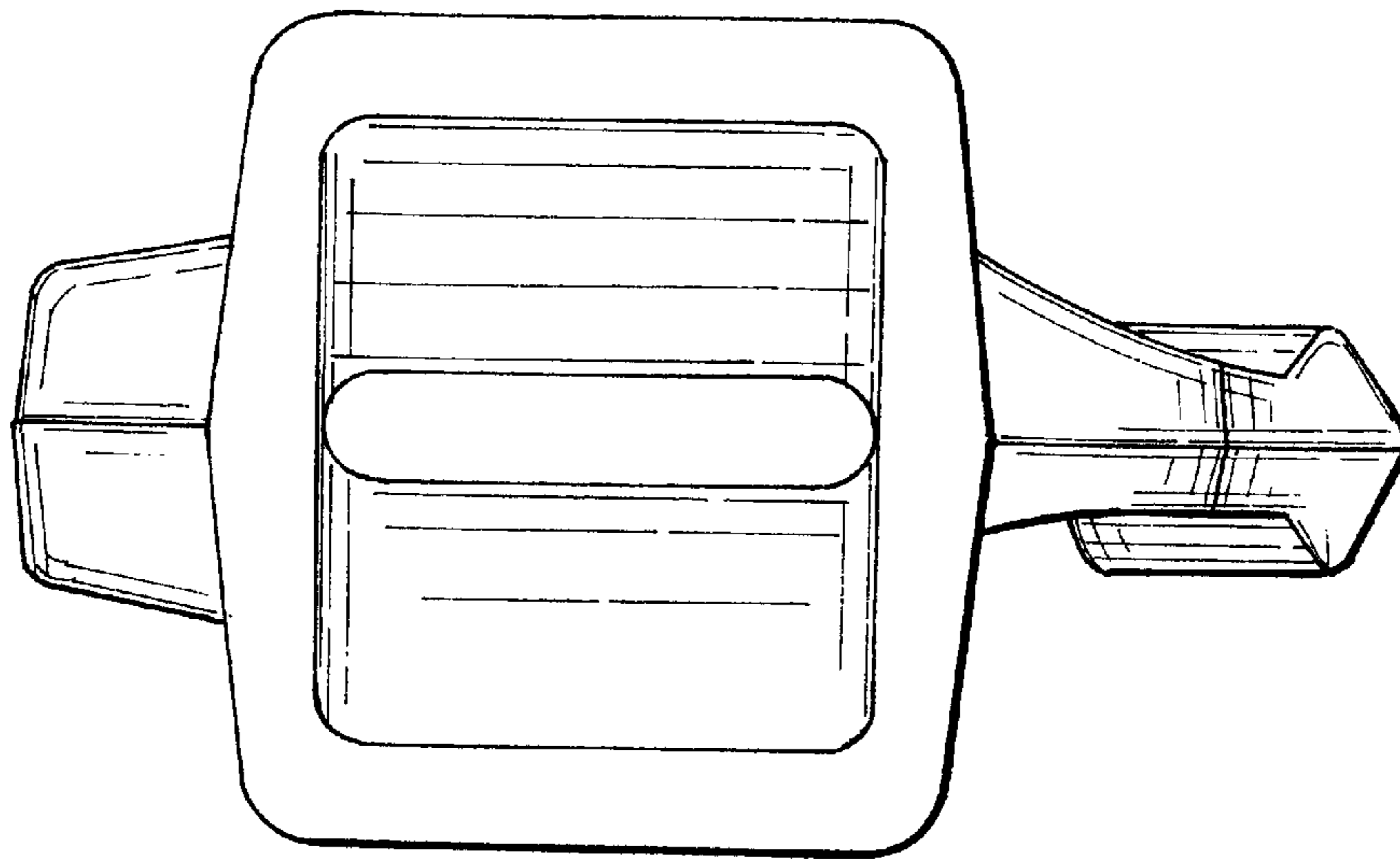


FIG. 24