

US00D499748S

(12) **United States Design Patent**
Komatsu et al.

(10) **Patent No.:** **US D499,748 S**

(45) **Date of Patent:** **** Dec. 14, 2004**

(54) **CRAWLER TRACTOR**

D483,043 S * 12/2003 Akashima et al. D15/24

(75) Inventors: **Masakazu Komatsu**, Osaka (JP);
Kazuhisa Yokoyama, Osaka (JP);
Mitsuyuki Hatanaka, Osaka (JP)

* cited by examiner

Primary Examiner—Mitchell Siegel

(74) *Attorney, Agent, or Firm*—Sterne, Kessler, Goldstein & Fox P.L.L.C.

(73) Assignee: **Yanmar Co., Ltd.**, Osaka (JP)

(57) **CLAIM**

(**) Term: **14 Years**

The ornamental design for a crawler tractor, as shown and described.

(21) Appl. No.: **29/197,817**

DESCRIPTION

(22) Filed: **Jan. 22, 2004**

(51) **LOC (7) Cl.** **15-03**

FIG. 1 is a perspective view of a crawler tractor showing our new design;

(52) **U.S. Cl.** **D15/24**

FIG. 2 is a left side elevational view thereof;

(58) **Field of Search** D15/22-26; 180/89.1,
180/89.12, 900

FIG. 3 is a right side elevational view thereof;

FIG. 4 is a front elevational view thereof;

FIG. 5 is a rear elevational view thereof;

FIG. 6 is a top plan view thereof; and,

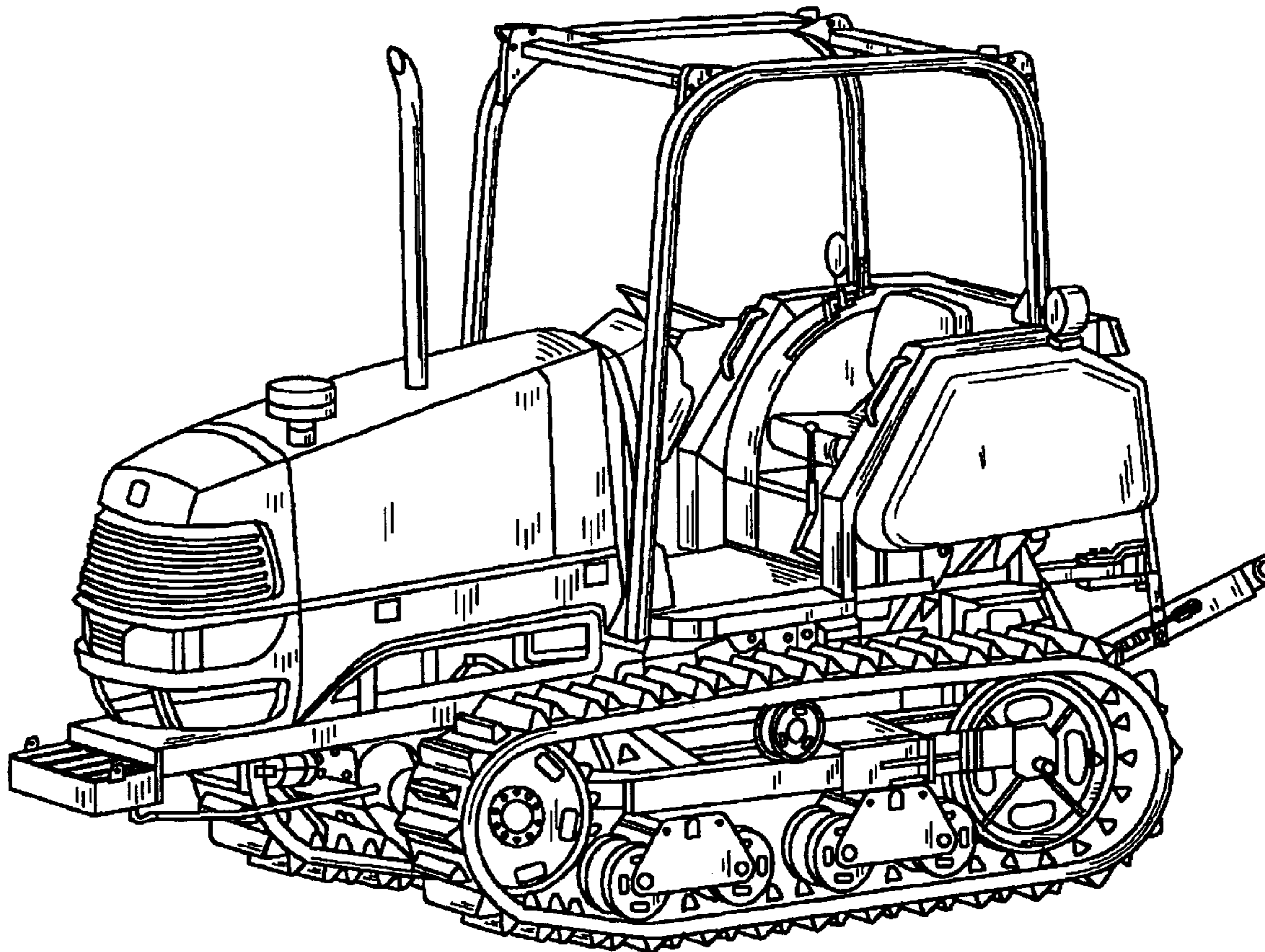
FIG. 7 is a bottom plan view thereof.

(56) **References Cited**

U.S. PATENT DOCUMENTS

D364,879 S * 12/1995 Bastian et al. D15/24

1 Claim, 7 Drawing Sheets



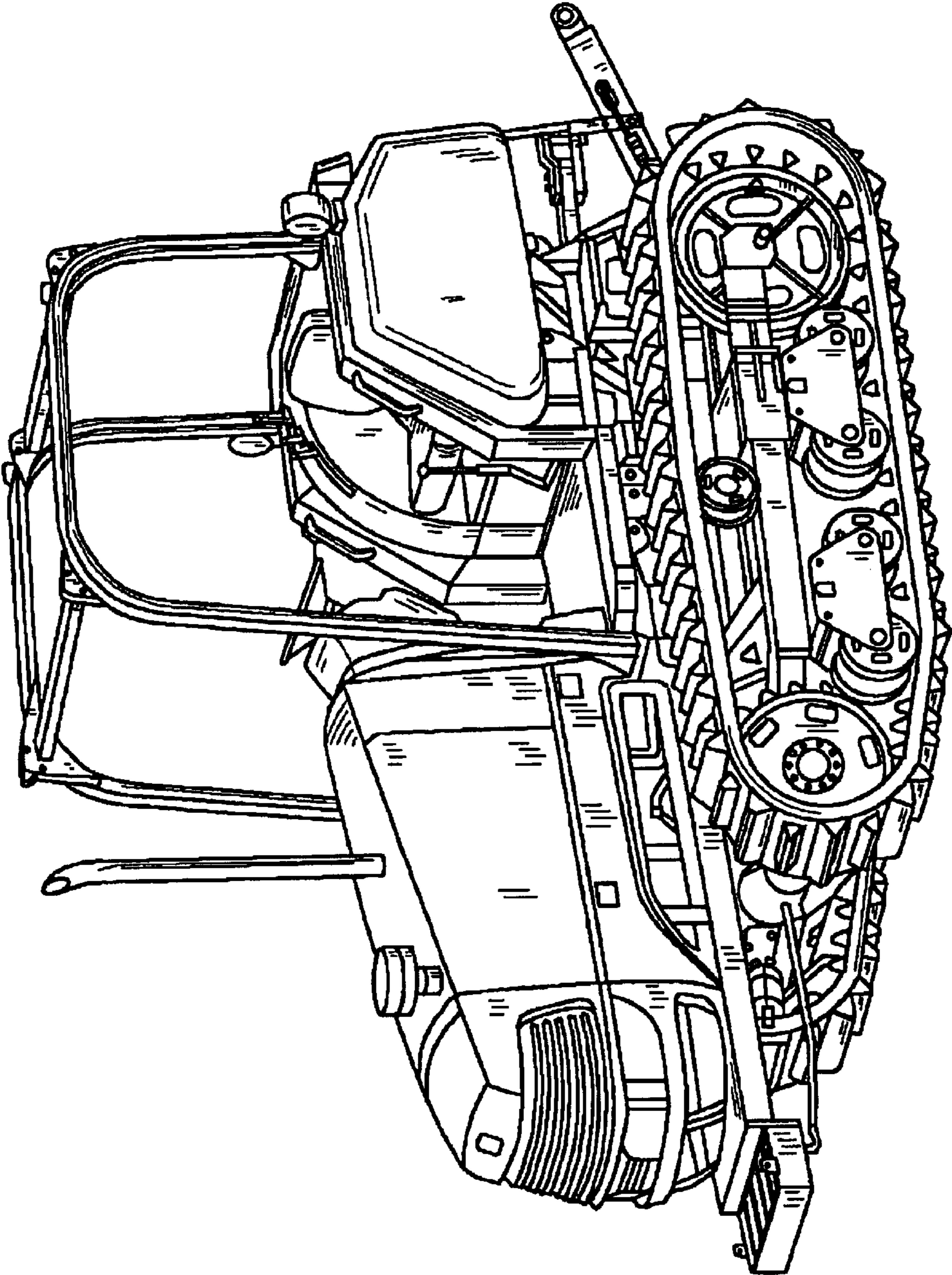


FIG. 1

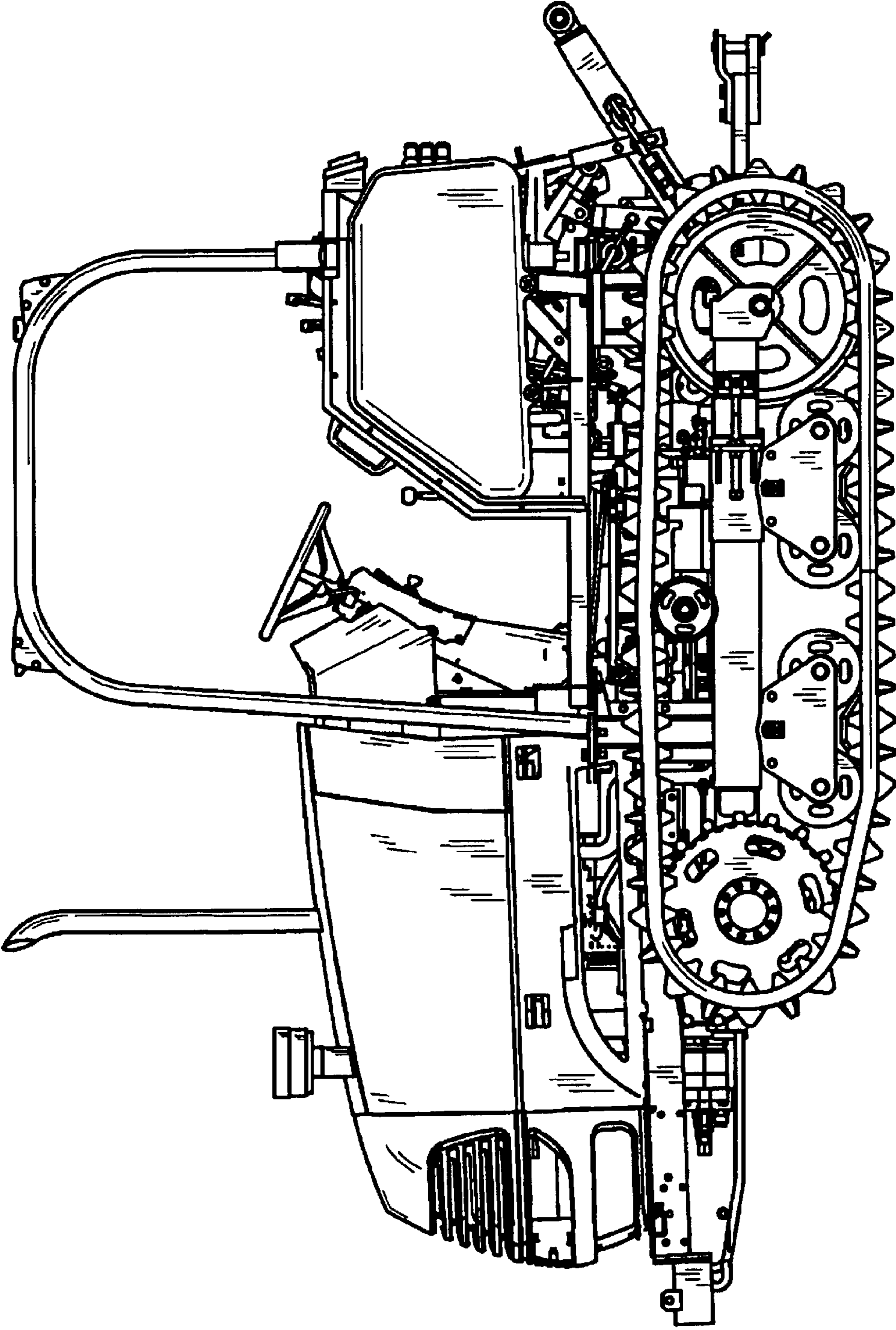


FIG. 2

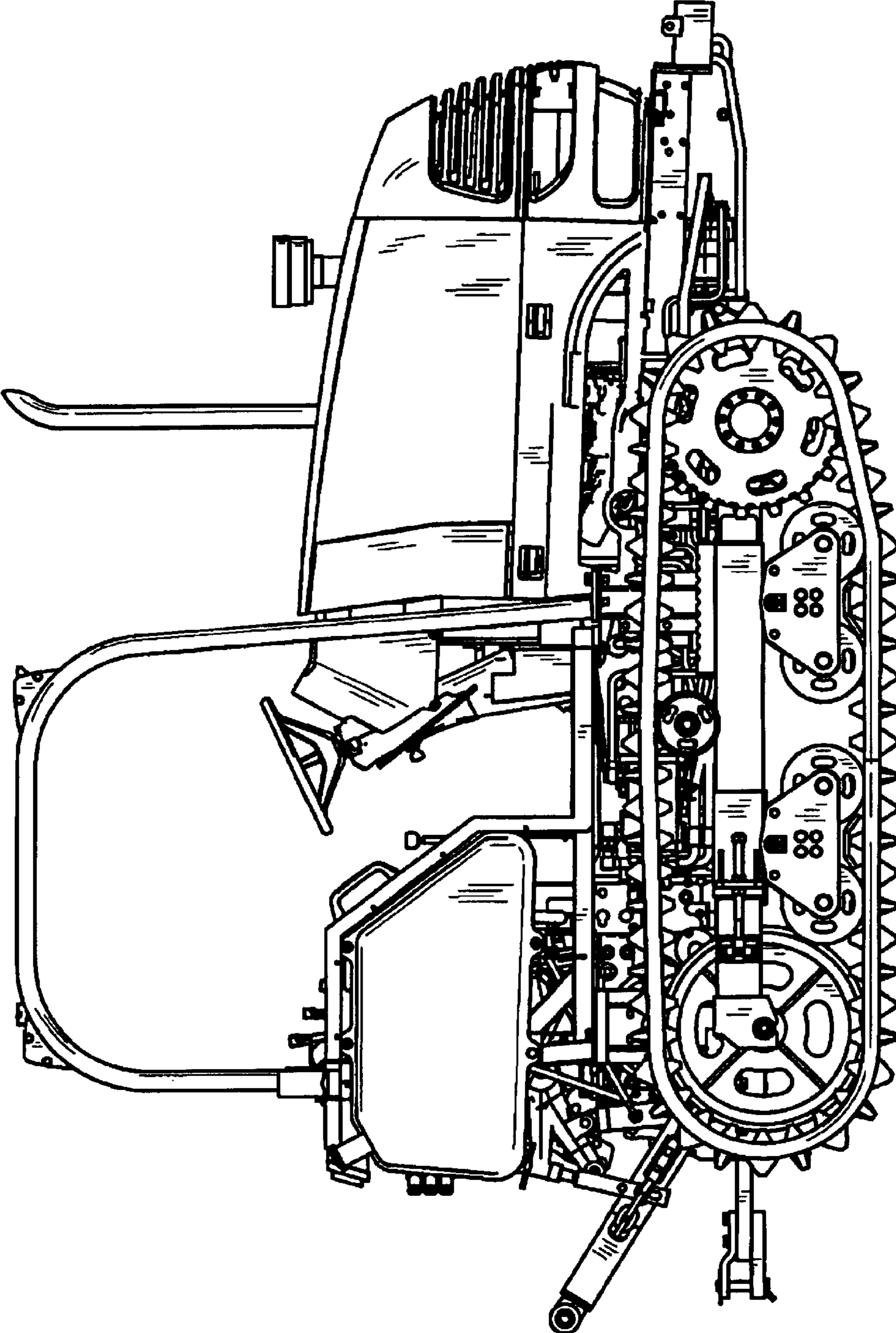


FIG. 3

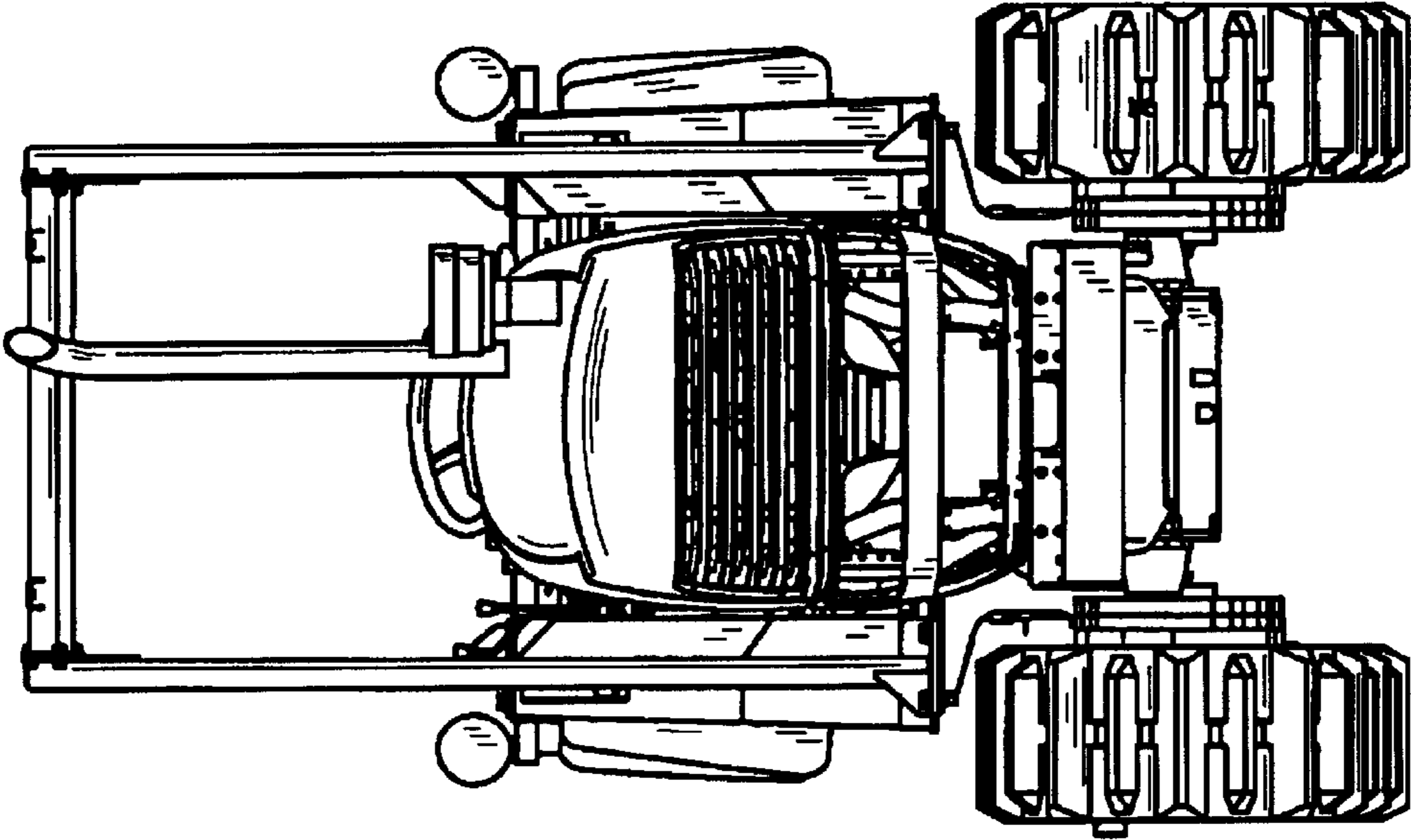


FIG. 4

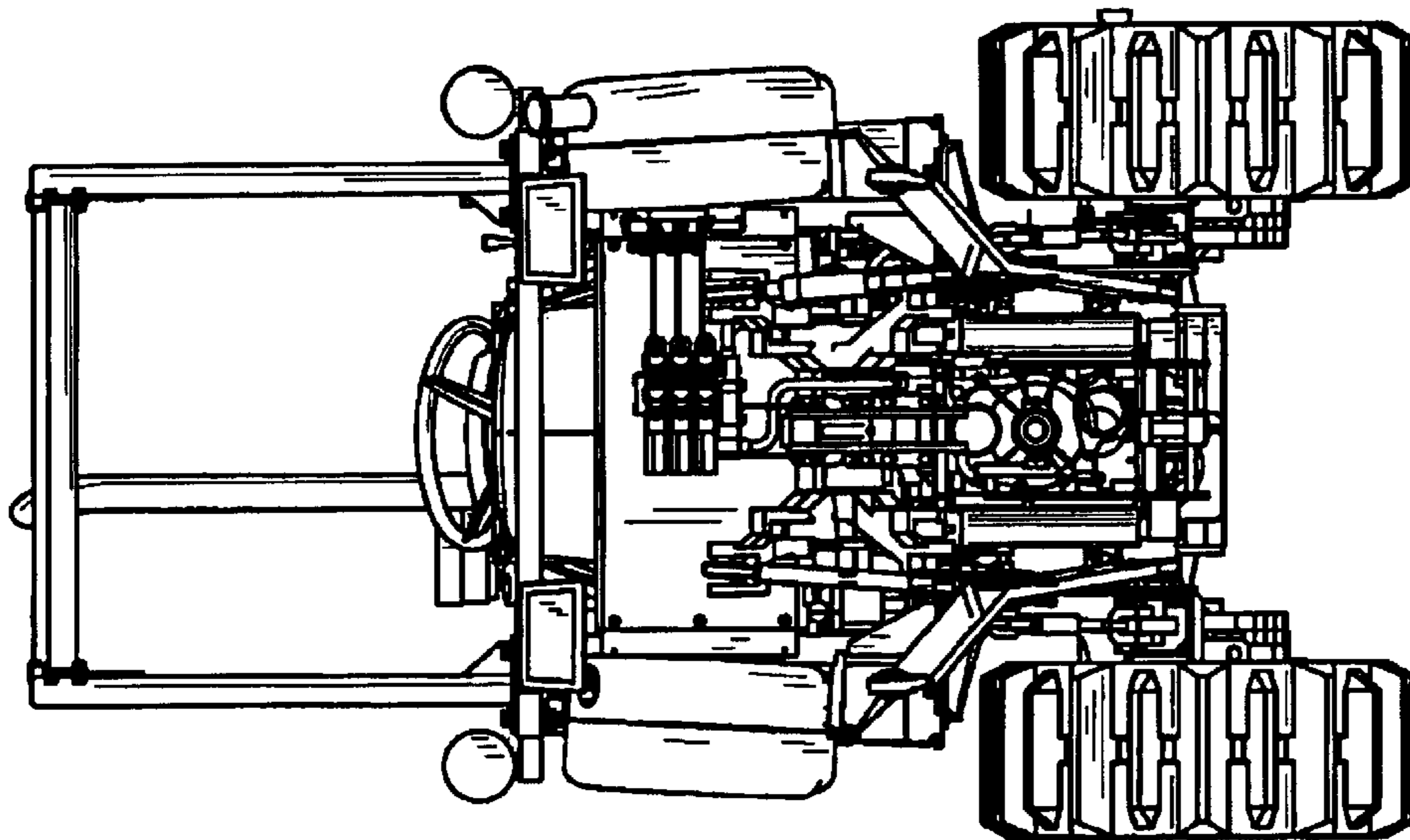


FIG. 5

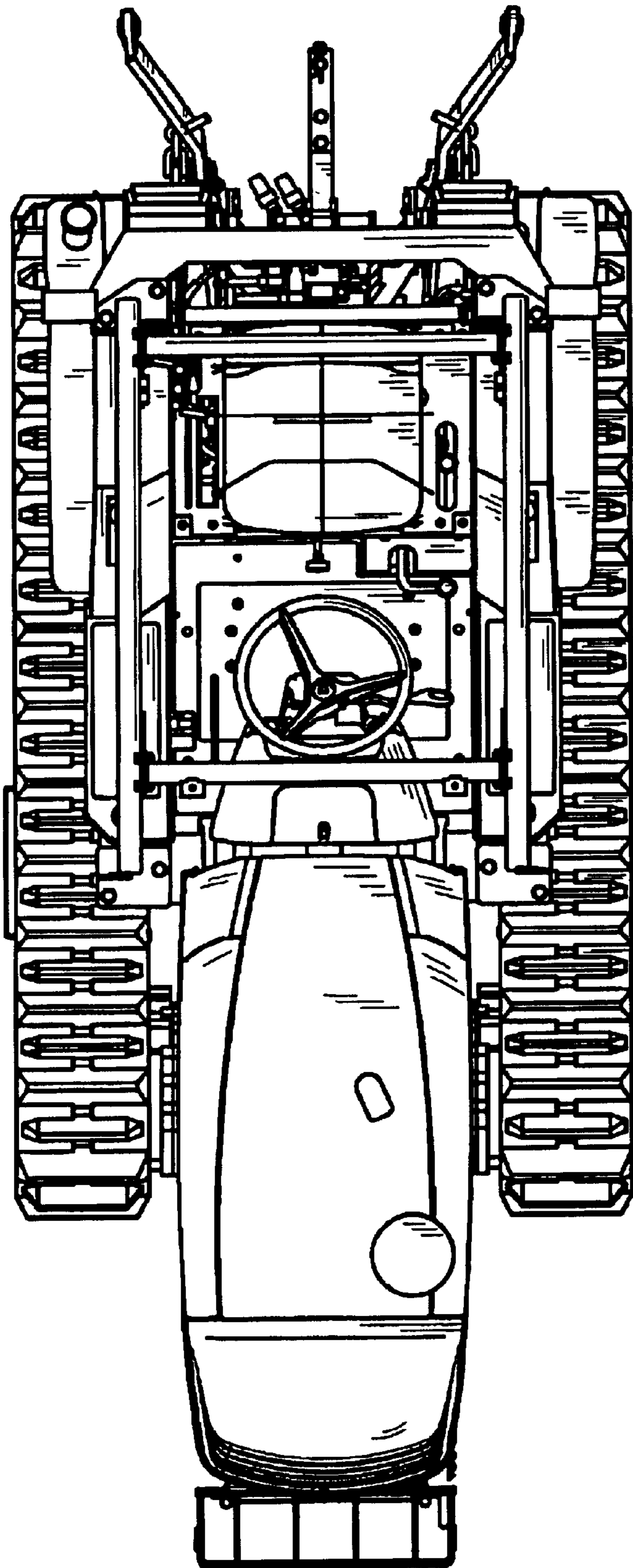


FIG. 6

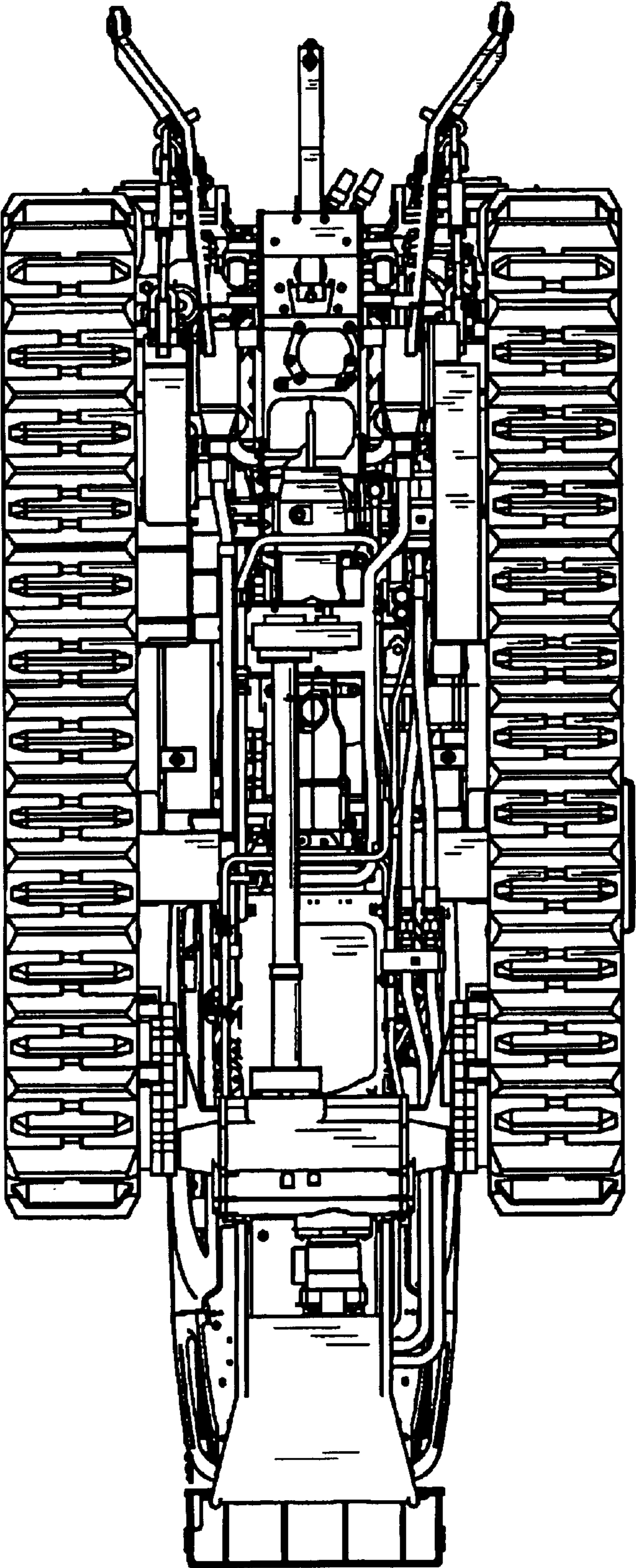


FIG. 7