

US00D499745S

(12) **United States Design Patent**
Hsiao

(10) **Patent No.:** **US D499,745 S**

(45) **Date of Patent:** **** Dec. 14, 2004**

(54) **BARE COMPRESSOR**

(76) **Inventor:** **I-Min Hsiao**, No. 427, Sec. 2,
Doou-Chung Rd., Tien-Chung, Chang
Hwa Hsien (TW)

(**) **Term:** **14 Years**

(21) **Appl. No.:** **29/185,660**

(22) **Filed:** **Jul. 2, 2003**

(51) **LOC (7) Cl.** **15-02**

(52) **U.S. Cl.** **D15/9**

(58) **Field of Search** D15/7-9; 417/321,
417/410, 413.1, 415, 423.3, 486, 521, 534;
415/148

(56) **References Cited**

U.S. PATENT DOCUMENTS

D263,302 S	*	3/1982	Terajima et al.	D15/7
D303,394 S	*	9/1989	Mariol	D15/9
D405,455 S	*	2/1999	Leu et al.	D15/9
D419,567 S	*	1/2000	Weiss	D15/7

D466,522 S	*	12/2002	Huang	D15/7
D470,509 S	*	2/2003	Chen	D15/9
D486,835 S	*	2/2004	Hsiao	D15/9

* cited by examiner

Primary Examiner—Ralf Seifert

(74) *Attorney, Agent, or Firm*—Troxell Law Office PLLC

(57) **CLAIM**

The ornamental design bare compressor, as shown and described.

DESCRIPTION

FIG. 1 is a perspective view of a bare compressor showing my new design;

FIG. 2 is a side elevation view thereof;

FIG. 3 is a topside elevation view thereof;

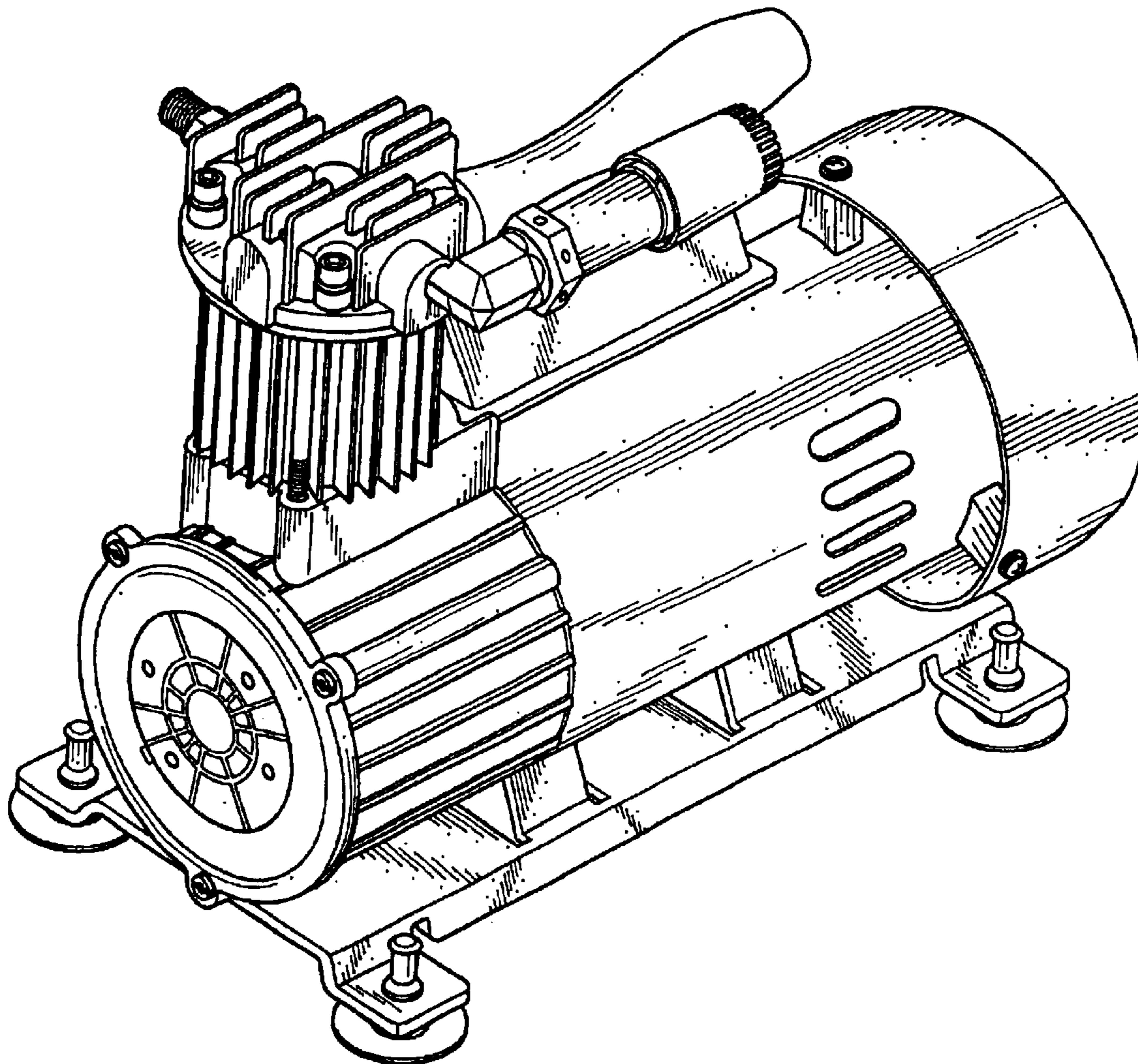
FIG. 4 is a front elevation view thereof;

FIG. 5 is a bottom plan view thereof;

FIG. 6 is an elevation view of side opposite to FIG. 2; and,

FIG. 7 is a rear elevation view thereof.

1 Claim, 7 Drawing Sheets



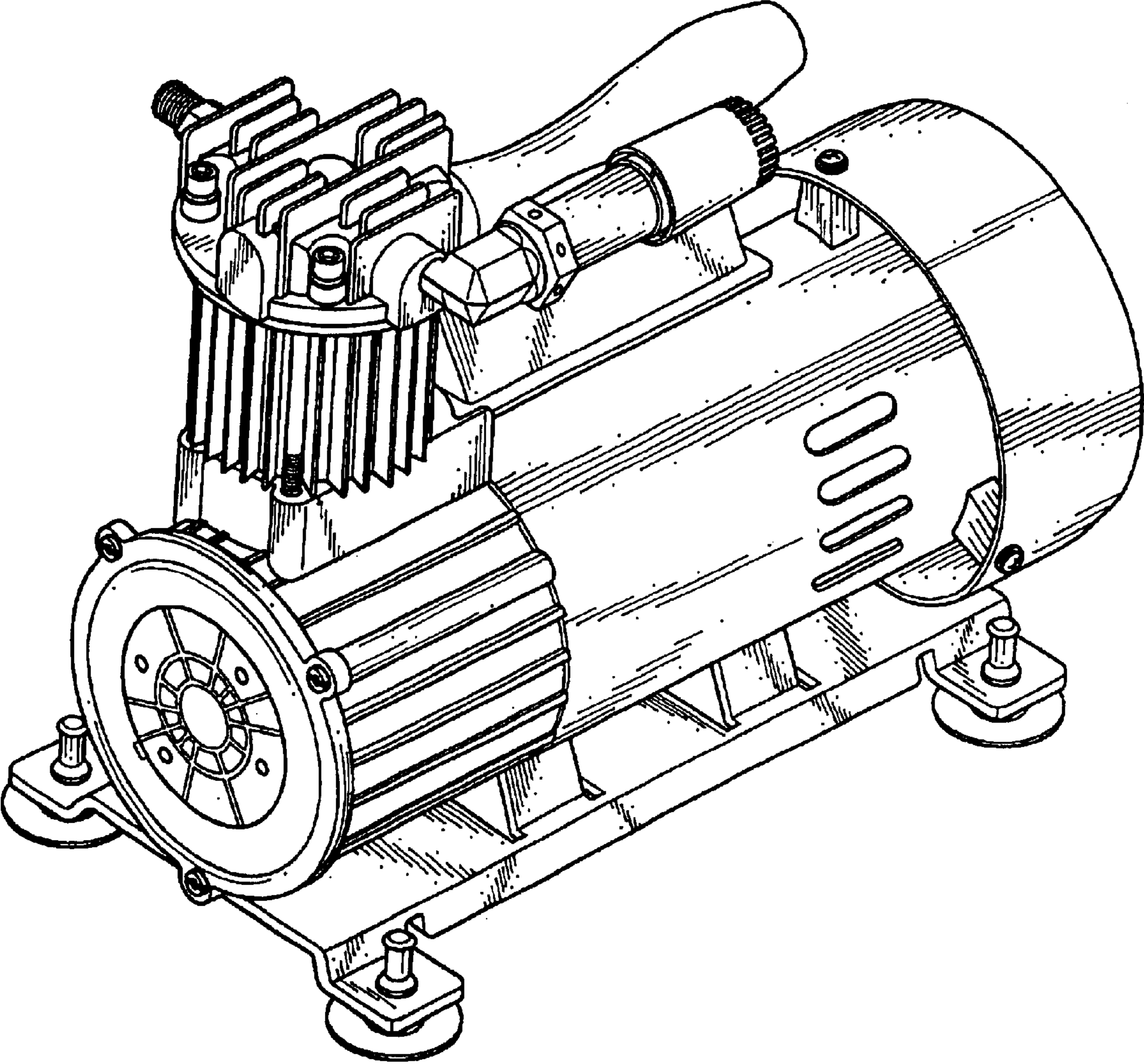


FIG. 1

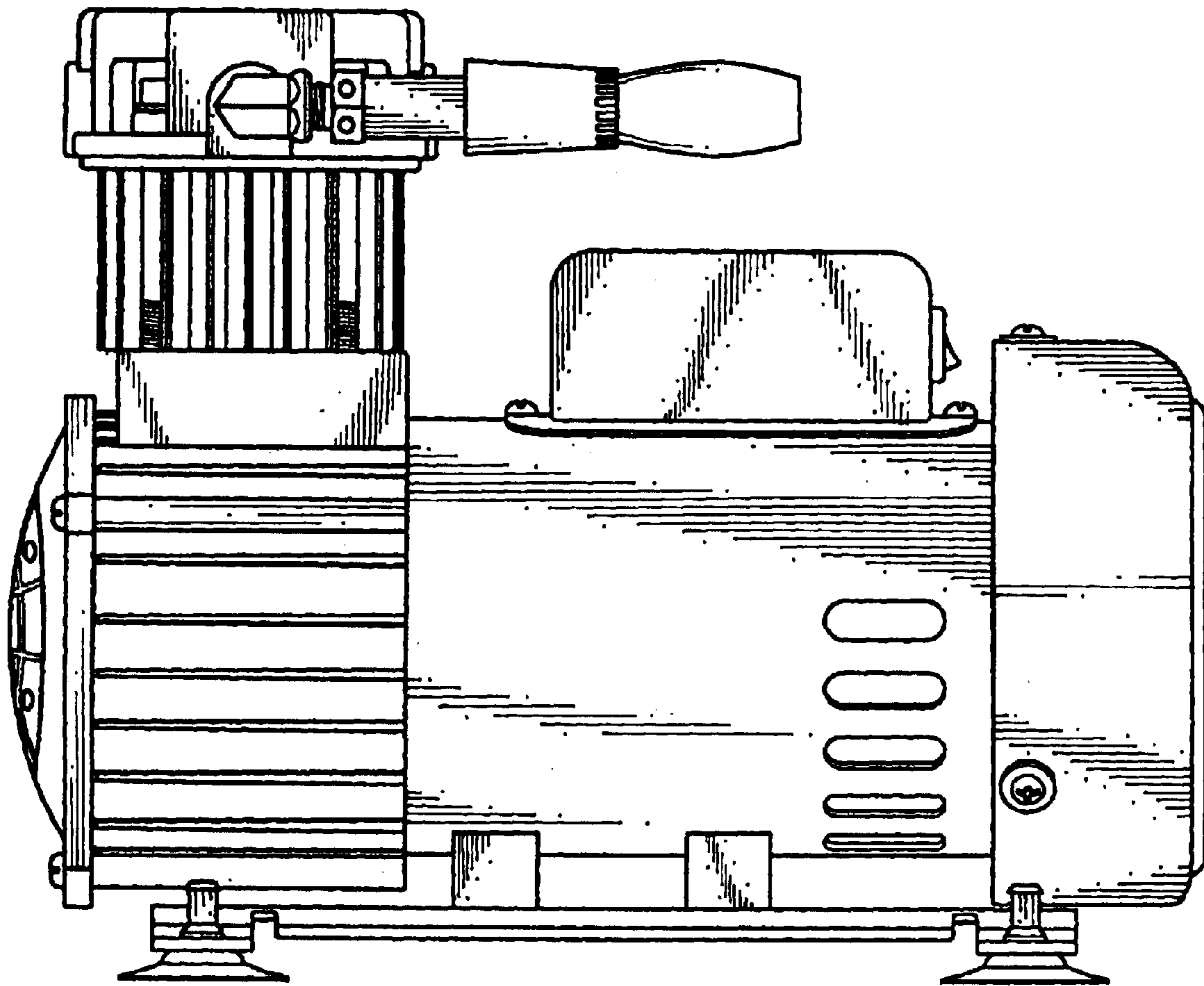


FIG.2

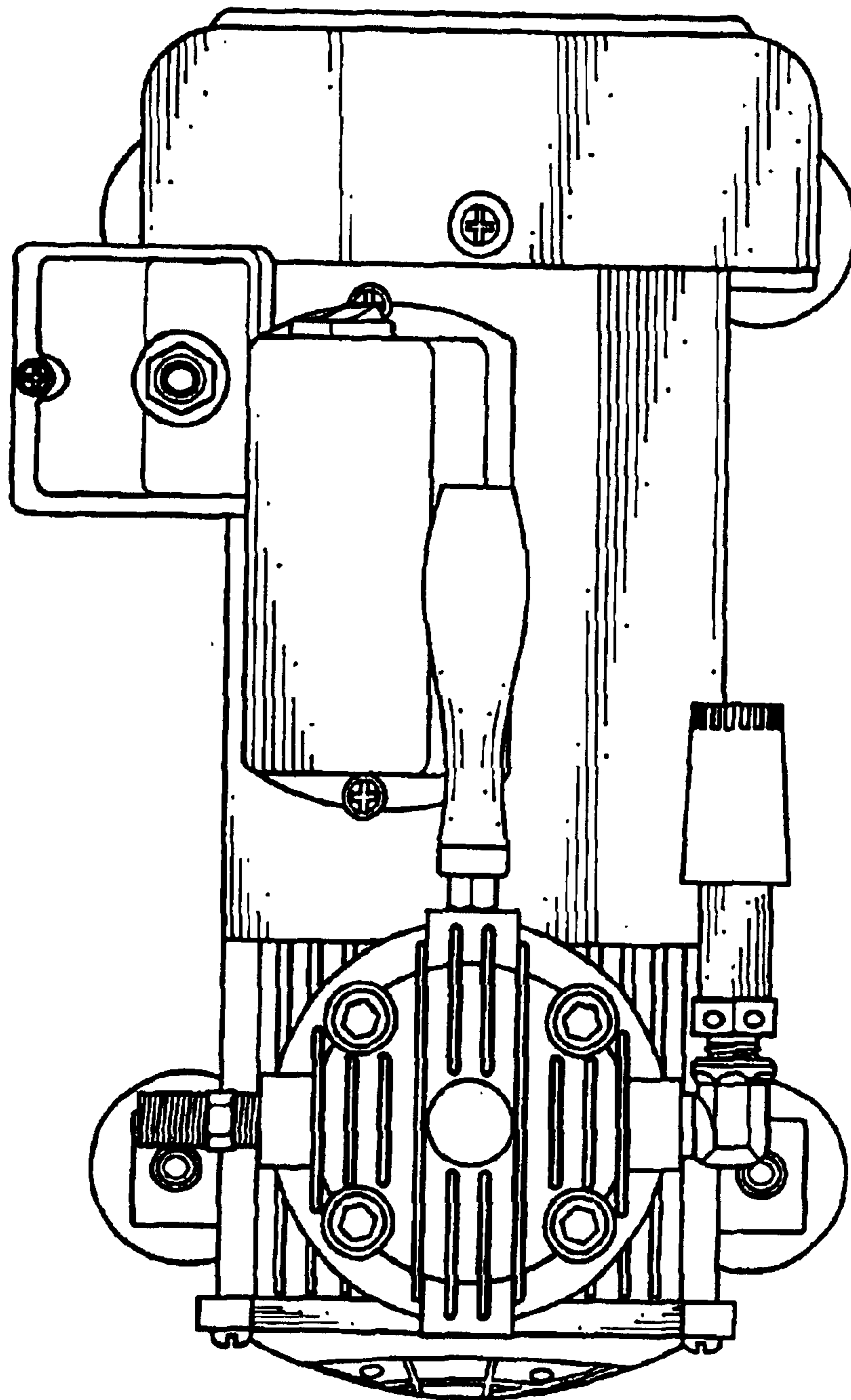


FIG. 3

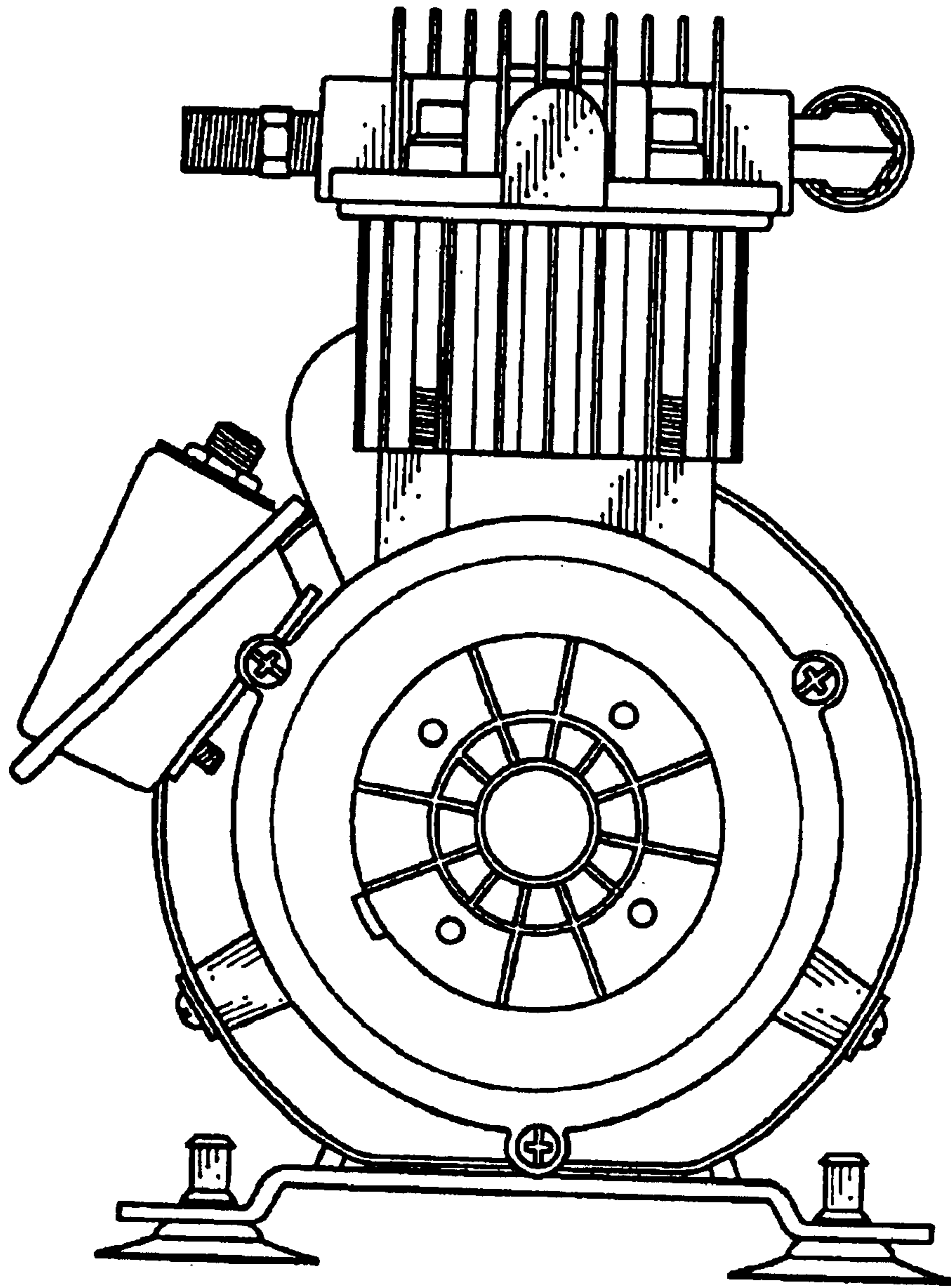


FIG. 4

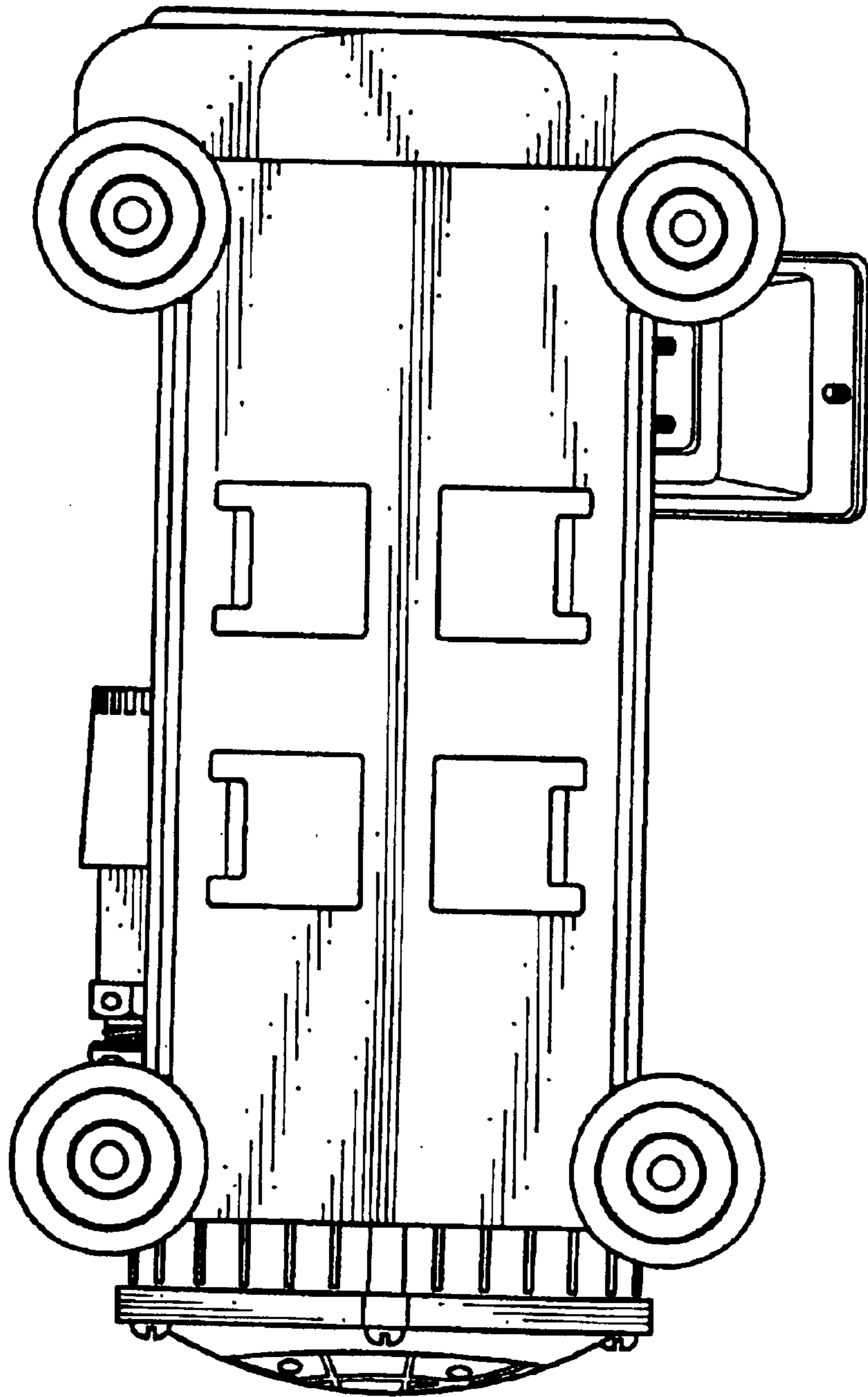


FIG. 5

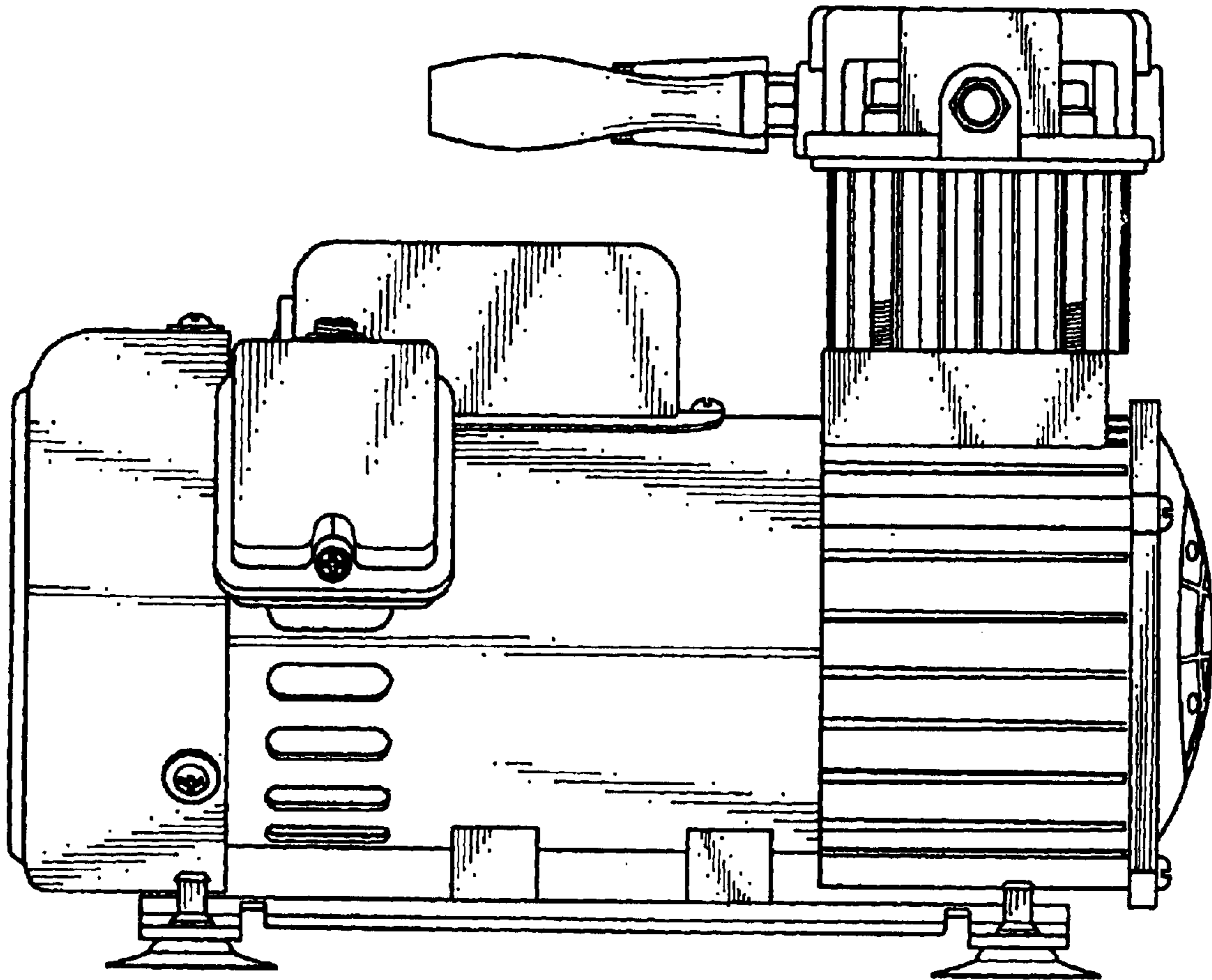


FIG. 6

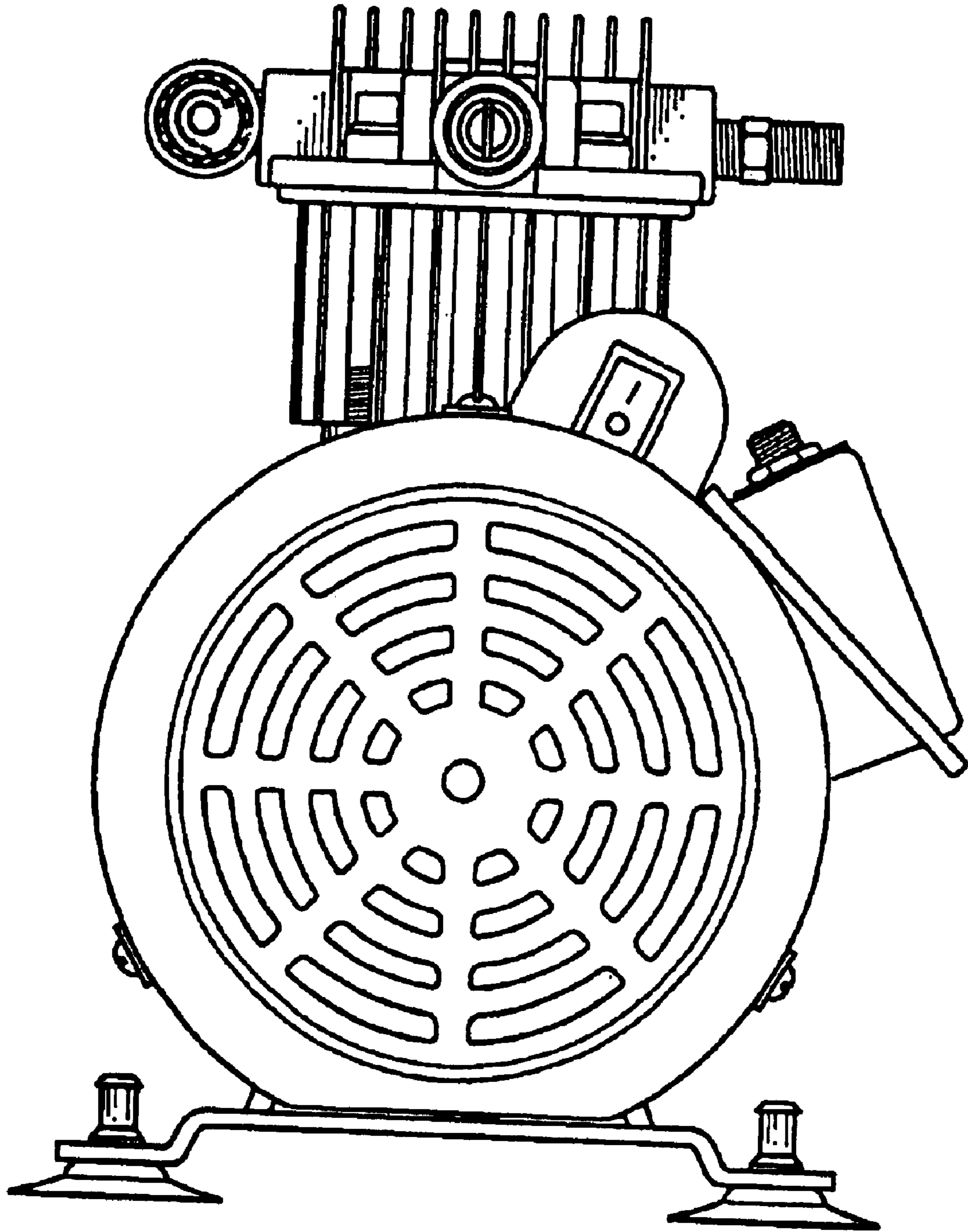


FIG. 7