

US00D499743S

(12) **United States Design Patent**  
**Hulks et al.**

(10) **Patent No.:** **US D499,743 S**

(45) **Date of Patent:** **\*\* Dec. 14, 2004**

(54) **AIR PUMP**

(75) Inventors: **Roger Hulks**, Watford (GB); **Simon King**, Amesbury (GB); **Dave Burt**, Stoke-on-Trent (GB)

(73) Assignee: **Michelin Recherche et Technique, S.A.**, Grange-Paccot (CH)

(\*\*) **Term:** **14 Years**

(21) **Appl. No.:** **29/190,540**

(22) **Filed:** **Sep. 17, 2003**

(51) **LOC (7) Cl.** ..... **15-02**

(52) **U.S. Cl.** ..... **D15/7**

(58) **Field of Search** ..... D15/7.9; 417/321,  
417/410, 413.1, 415, 423.3, 486, 521, 534;  
415/148

(56) **References Cited**

**U.S. PATENT DOCUMENTS**

1,160,528 A	11/1915	Pilkington	92/118
1,236,479 A	8/1917	Peteler	92/20
1,280,511 A	10/1918	McBeth	92/20
1,382,603 A	6/1921	Wheeler	92/130 R
1,370,993 A	8/1921	Perkins	74/96

2,200,012 A	5/1940	Russell et al.	417/464
2,573,375 A	* 10/1951	Winstead	206/225
2,781,166 A	2/1957	Flood et al.	417/464
D257,878 S	1/1981	Schwartz	D23/14
4,289,458 A	9/1981	Price	417/464
D358,398 S	* 5/1995	Persson	D15/7
D439,310 S	3/2001	Wang	D23/231
D463,452 S	* 9/2002	Soderqvist	D15/7

\* cited by examiner

*Primary Examiner*—Ralf Seifert

(74) *Attorney, Agent, or Firm*—Alan A. Csontos; E. Martin Remick; Robert R. Reed

(57) **CLAIM**

The ornamental design for an air pump, substantially as shown and described.

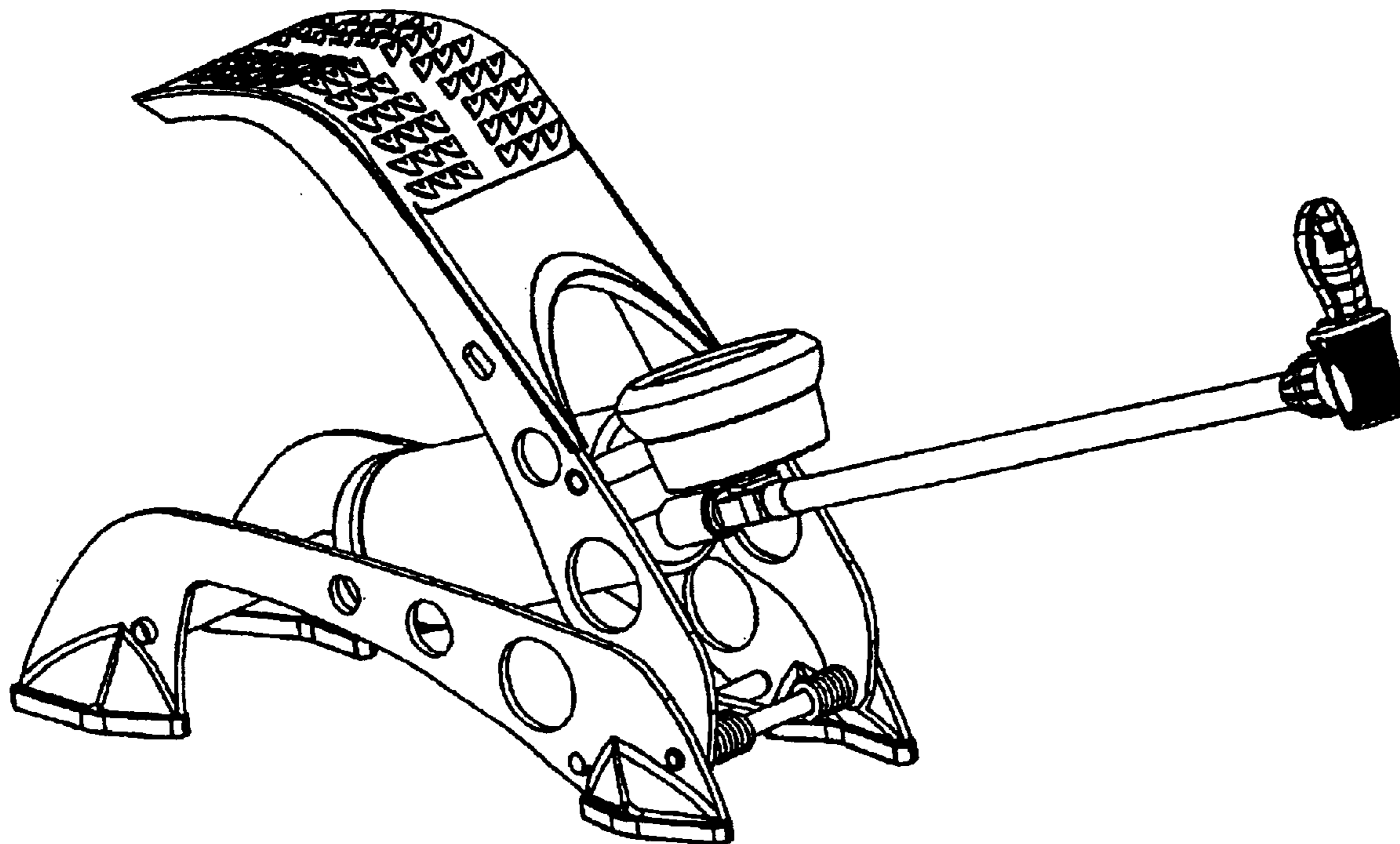
**DESCRIPTION**

FIG. 1 is a perspective view of an air pump showing our new design.

FIG. 2 is a side view of the air pump illustrated in FIG. 1, the opposite side of which is understood to be a mirror image of FIG. 2; and,

FIG. 3 is a top view of the air pump.

**1 Claim, 3 Drawing Sheets**



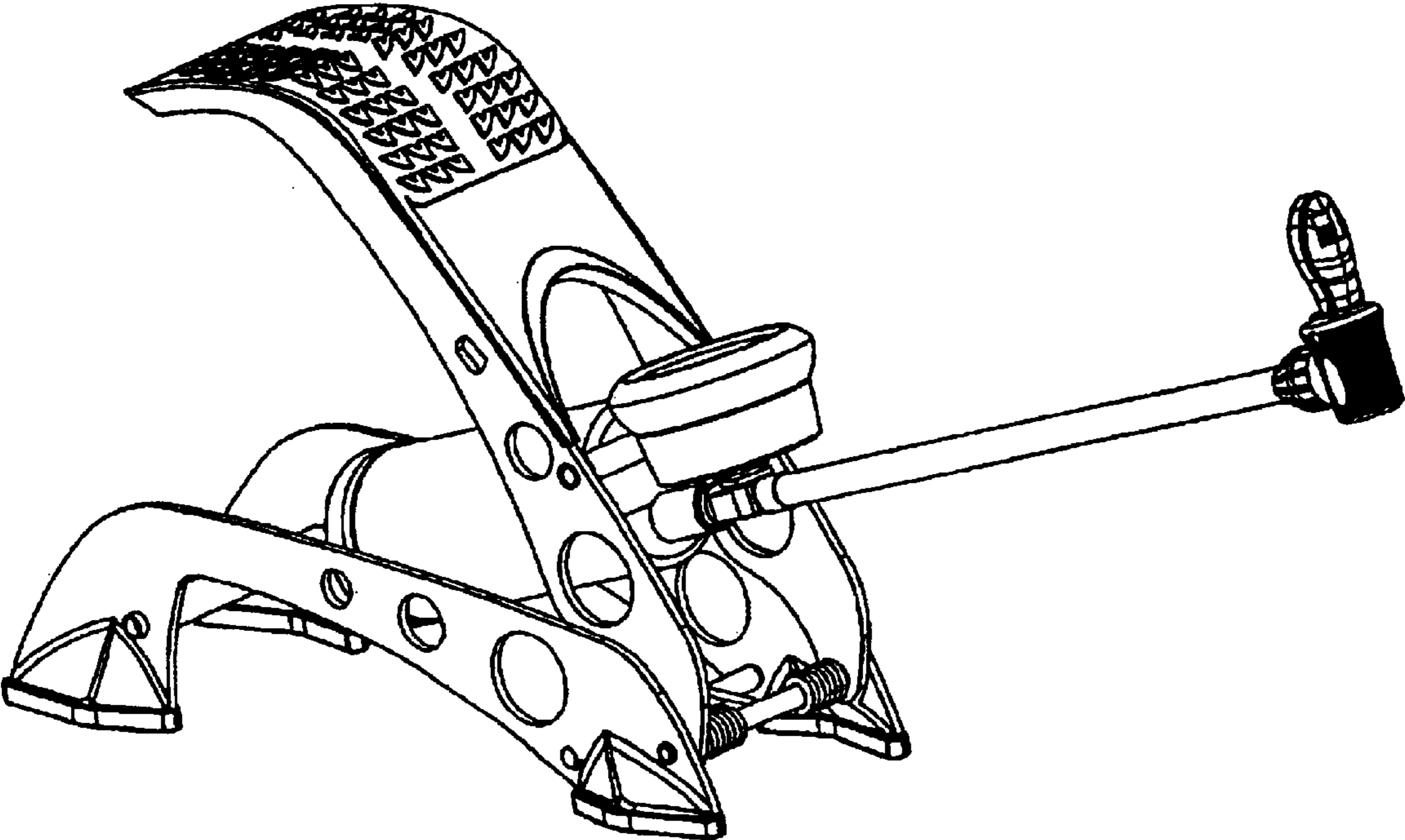


Fig. 1

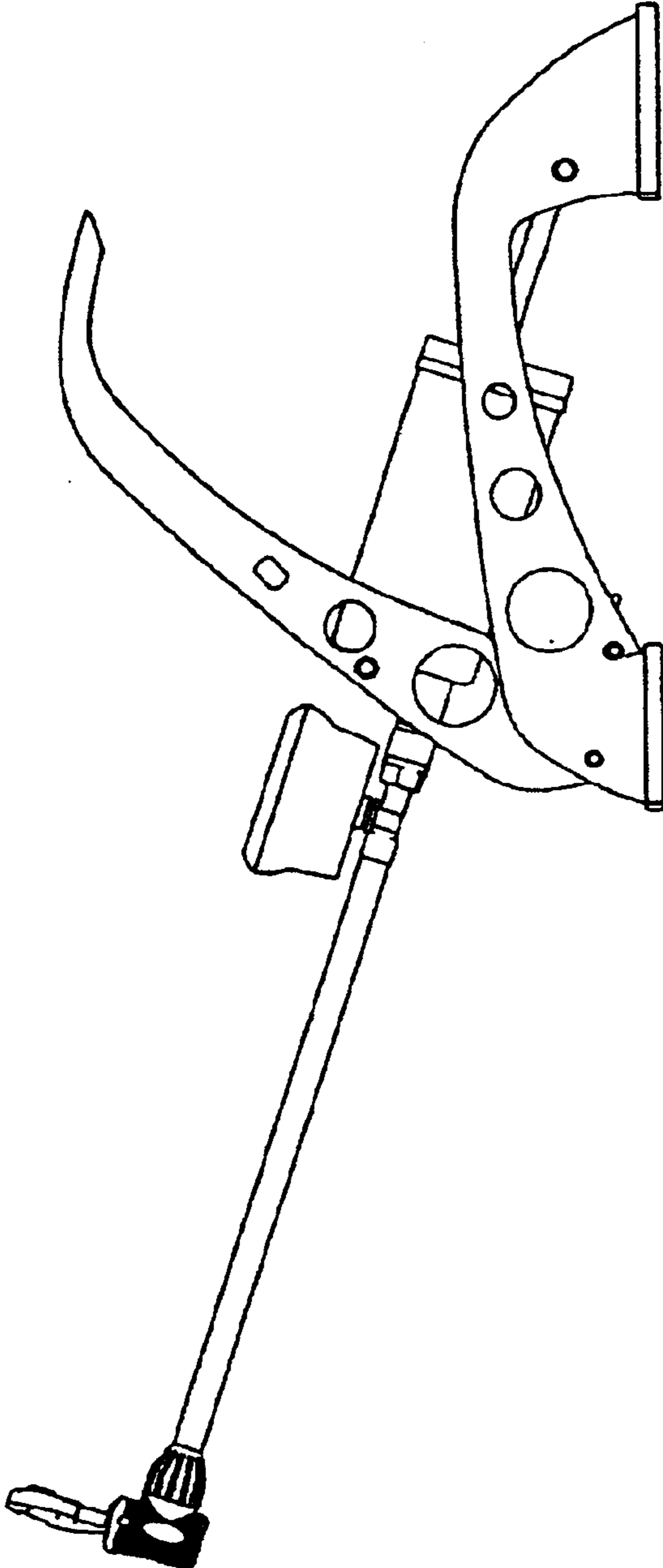


Fig. 2

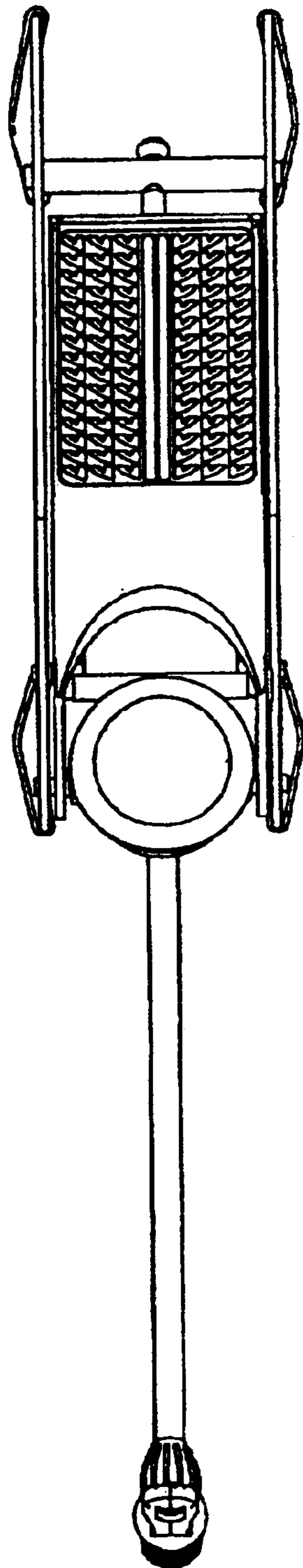


Fig 3