

US00D499731S

(12) **United States Design Patent**
Fan

(10) **Patent No.:** **US D499,731 S**

(45) **Date of Patent:** **** Dec. 14, 2004**

(54) **CARD CONNECTOR**

(75) **Inventor:** **Chia Hao Fan, Tu-Chen (TW)**

(73) **Assignee:** **Hon Hai Precision Ind. Co., Ltd.,
Taipei Hsien (TW)**

(**) **Term:** **14 Years**

(21) **Appl. No.:** **29/199,909**

(22) **Filed:** **Feb. 20, 2004**

(30) **Foreign Application Priority Data**

Nov. 14, 2003 (CN) 200330112061X

(51) **LOC (7) Cl.** **14-02**

(52) **U.S. Cl.** **D14/433**

(58) **Field of Search** D14/432-3, 434-8;
439/159, 433, 630

(56) **References Cited**

U.S. PATENT DOCUMENTS

D469,772 S * 2/2003 Nishio et al. D14/433
D470,148 S * 2/2003 Nishio et al. D14/433

D483,372 S * 12/2003 Watanabe et al. D14/433
D488,815 S * 4/2004 Hashimoto et al. D14/433
2002/0102882 A1 * 8/2002 Tanaka 439/630
2003/0109178 A1 * 6/2003 Ohashi 439/630
2004/0127081 A1 * 7/2004 Chou 439/188

* cited by examiner

Primary Examiner—M. H. Tung

(74) *Attorney, Agent, or Firm*—Wei Te Chung

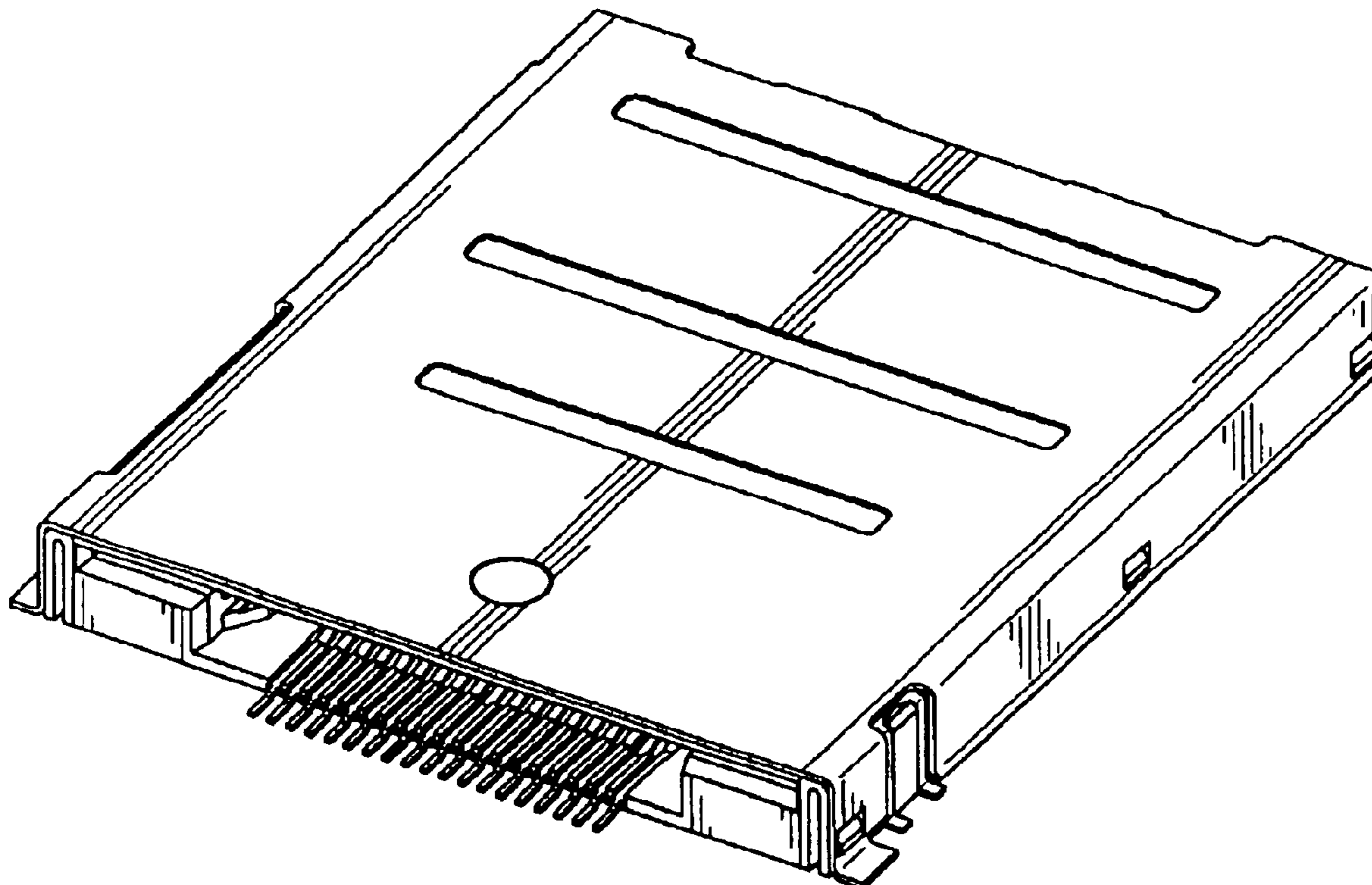
(57) **CLAIM**

The ornamental design for a card connector, as shown.

DESCRIPTION

FIG. 1 is a front, top and right side perspective view of a card connector showing my new design;
FIG. 2 is a front elevational view thereof;
FIG. 3 is a rear elevational view thereof;
FIG. 4 is a left side elevational view thereof;
FIG. 5 is a right side elevational view thereof;
FIG. 6 is a top plan view thereof; and,
FIG. 7 is a bottom plan view thereof.

1 Claim, 7 Drawing Sheets



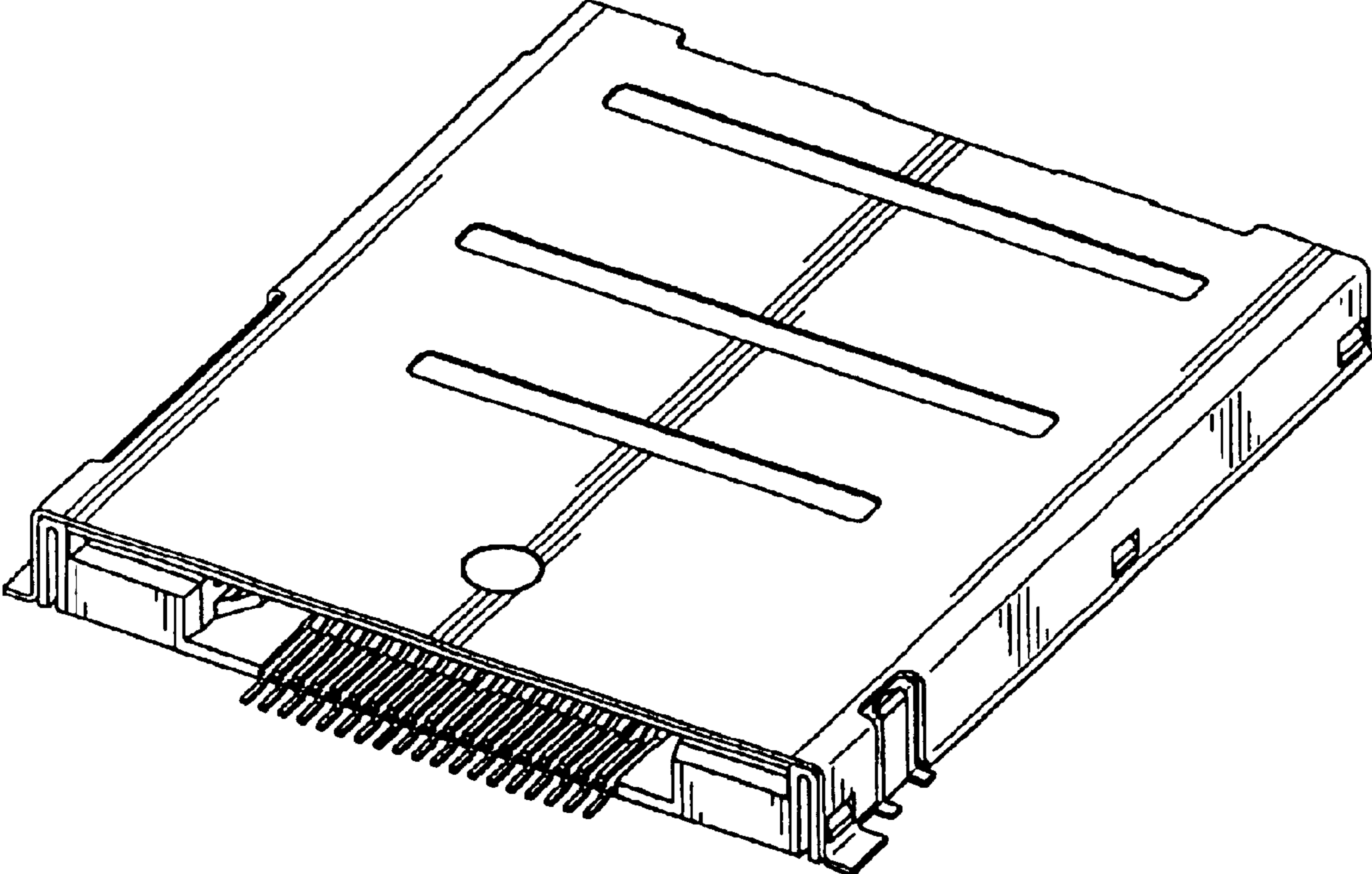


FIG. 1

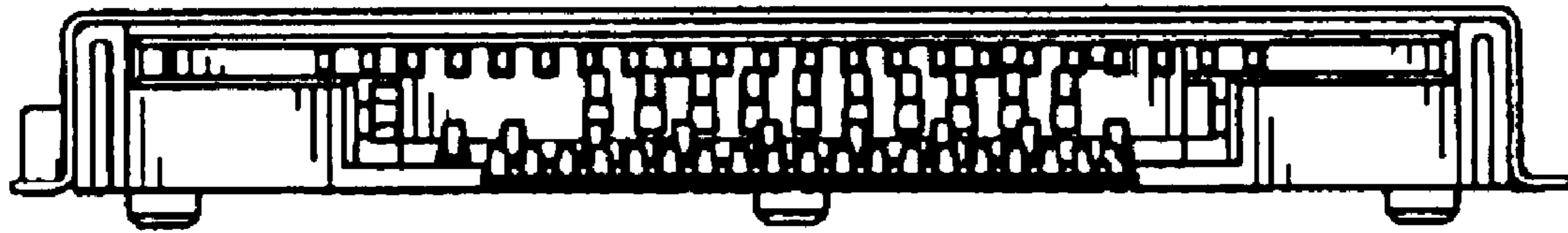


FIG. 2

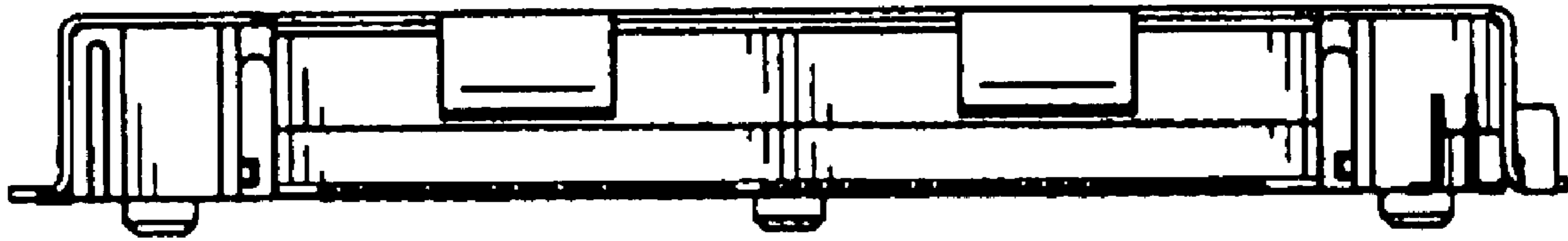


FIG. 3



FIG. 4

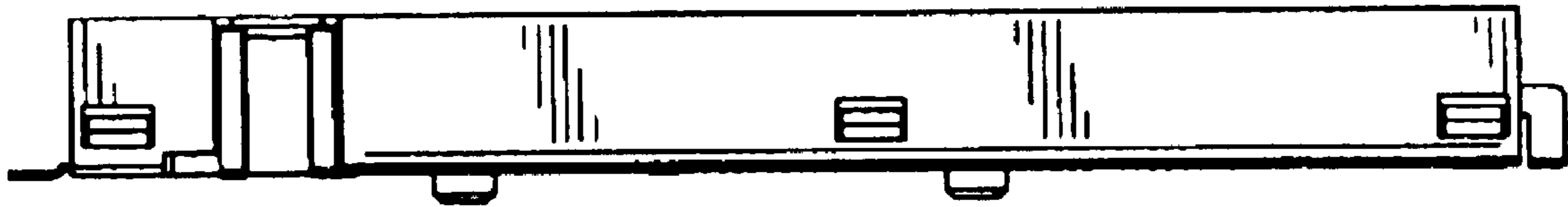


FIG. 5

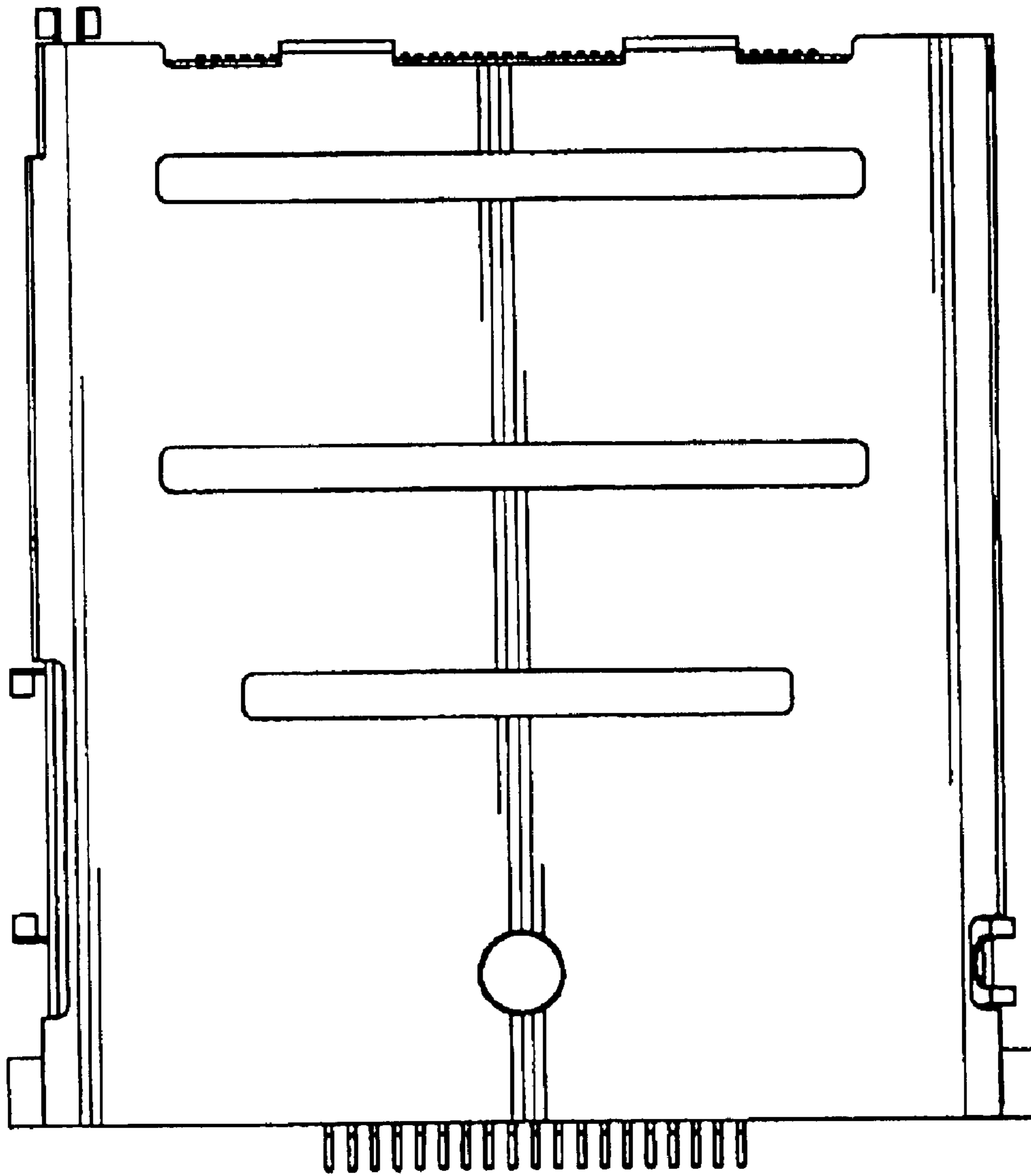


FIG. 6

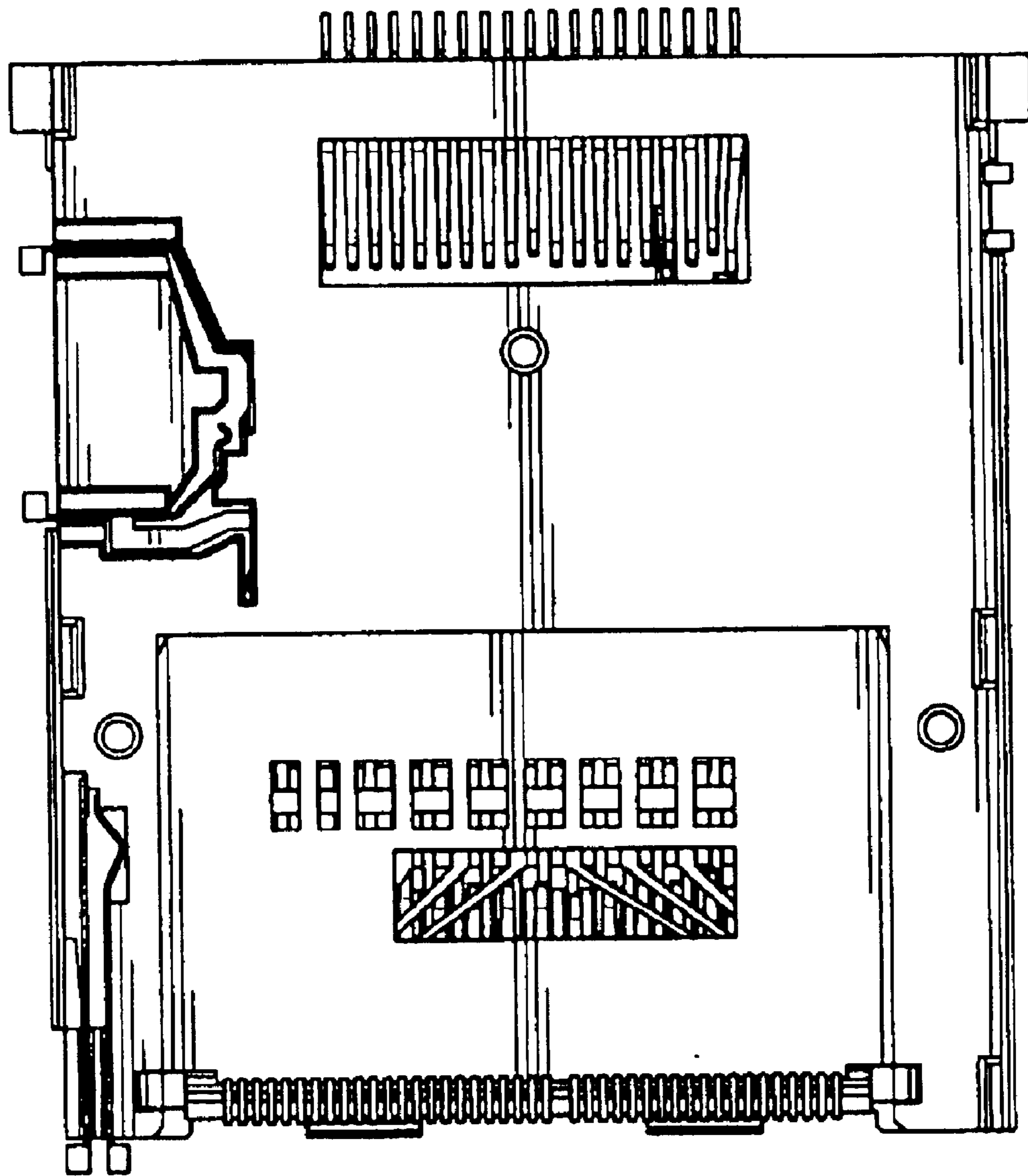


FIG. 7