

US00D499730S

(12) **United States Design Patent**
Yamashiro

(10) **Patent No.:** **US D499,730 S**
(45) **Date of Patent:** **** Dec. 14, 2004**

(54) **MONITOR FOR COMPUTER**

(75) Inventor: **Chieko Yamashiro, Osaka-fu (JP)**

(73) Assignee: **Sharp Kabushiki Kaisha, Osaka (JP)**

(**) Term: **14 Years**

(21) Appl. No.: **29/199,799**

(22) Filed: **Feb. 20, 2004**

(30) **Foreign Application Priority Data**

Aug. 20, 2003 (JP) 2003-023963

(51) **LOC (7) Cl.** **14-02**

(52) **U.S. Cl.** **D14/375**

(58) **Field of Search** D14/371-375,
D14/125-129; 345/104, 156, 168, 173,
901-905; 348/180, 184, 325, 739; 248/917-924;
341/12; 349/1, 2, 11, 62

(56) **References Cited**

U.S. PATENT DOCUMENTS

D427,169 S	6/2000	Saeki et al.
D439,224 S	3/2001	Kita
D453,748 S	2/2002	Kita
D456,370 S	4/2002	Kita
D462,353 S	9/2002	Kita
D469,090 S	1/2003	Tsuji
D469,432 S	1/2003	Tsuji

D471,549 S	3/2003	Tsuji	
D473,319 S	*	4/2003	Martin D14/375
D482,032 S	*	11/2003	Onozato et al. D14/371

OTHER PUBLICATIONS

U.S. Appl. Ser. No. 29/187,973, Kita, filed Aug. 2003.
U.S. Appl. Ser. No. 29/193,998, Kita, filed Nov. 2003.
U.S. Appl. Ser. No. 29/194,701, Kita, filed Dec. 2003.

* cited by examiner

Primary Examiner—Freda S. Nunn

(74) *Attorney, Agent, or Firm*—Nixon & Vanerhye P.C.

(57) **CLAIM**

The ornamental design for a “monitor for computer,” as shown and described.

DESCRIPTION

FIG. 1 is a top, front and right side perspective view of a monitor for computer according to my design; FIG. 2 is a front elevational view thereof; FIG. 3 is a rear elevational view thereof; FIG. 4 is a top plan view thereof; FIG. 5 is a bottom plan view thereof; FIG. 6 is a right side elevational view thereof, the left side being a mirror image thereof; and, FIG. 7 is a top rear and left side perspective view thereof.

1 Claim, 7 Drawing Sheets

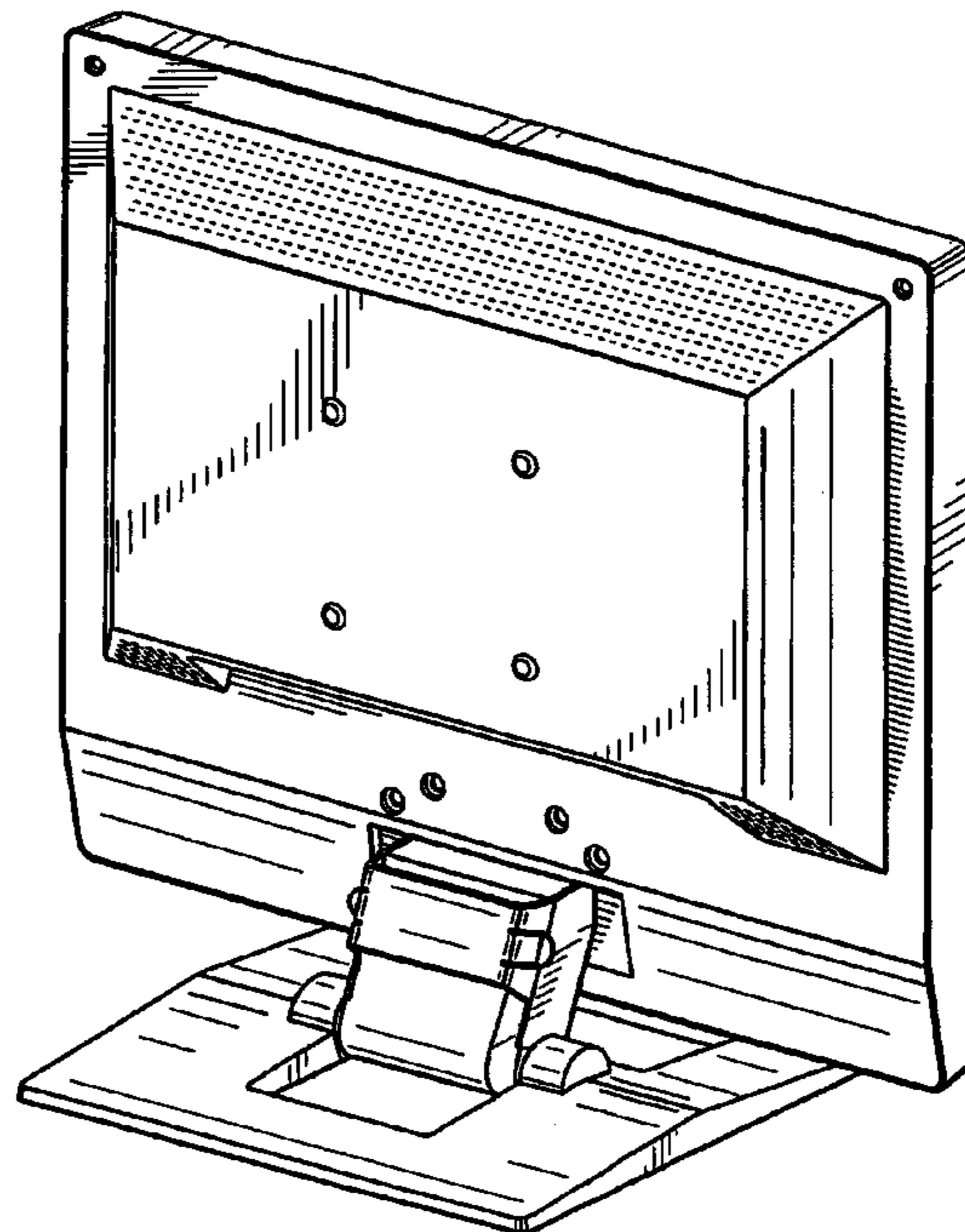
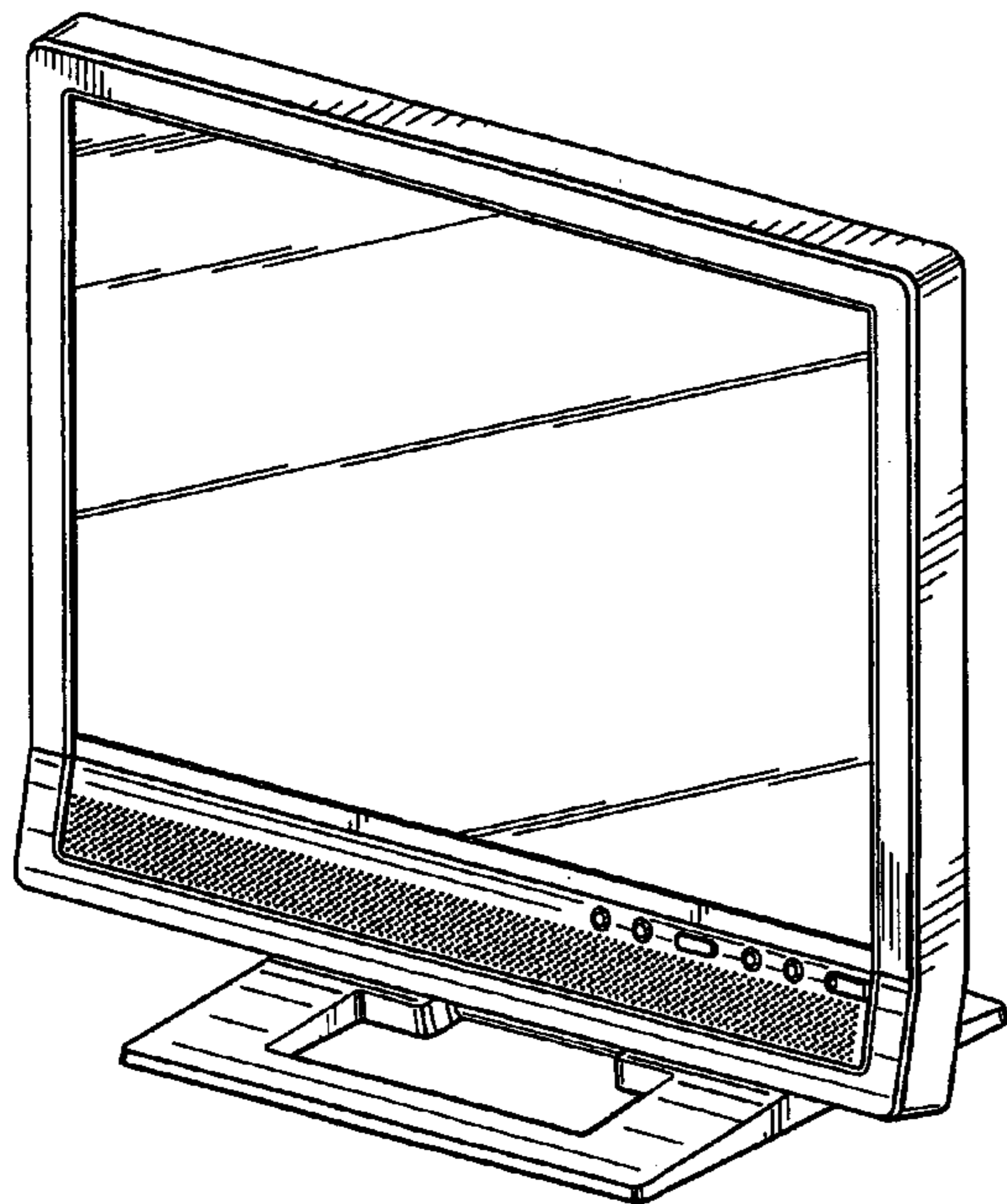
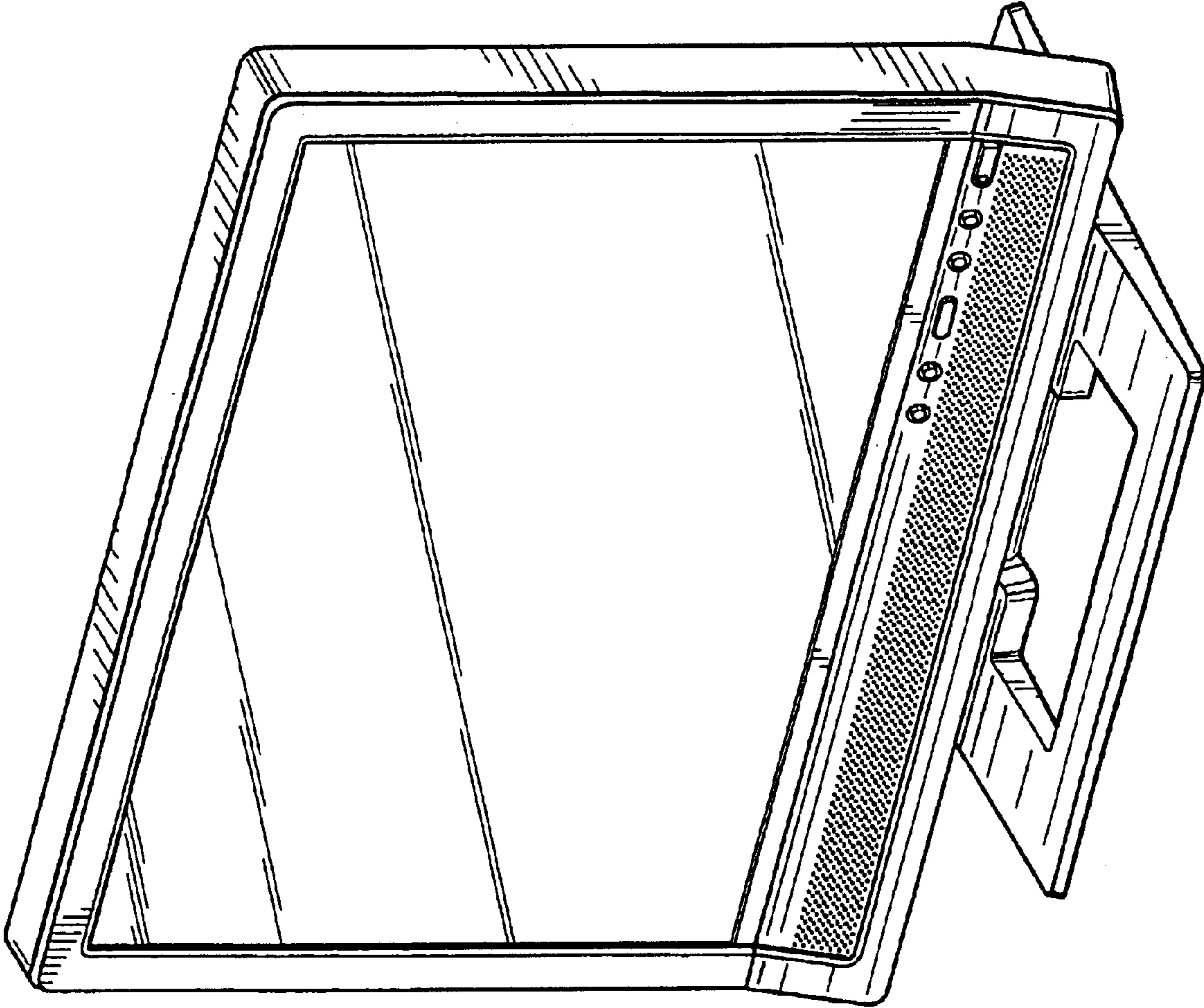


Fig. 1



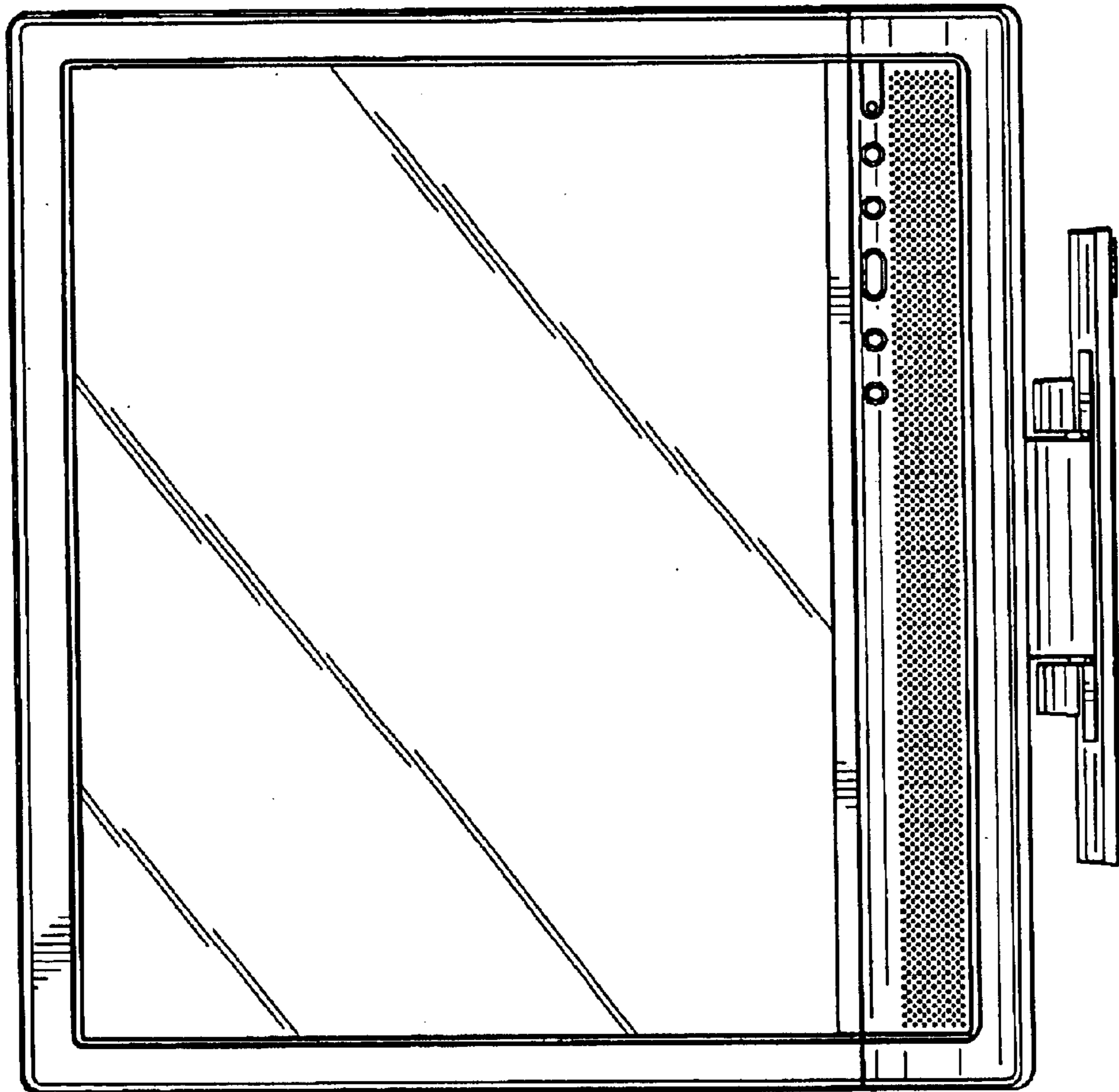


Fig.2

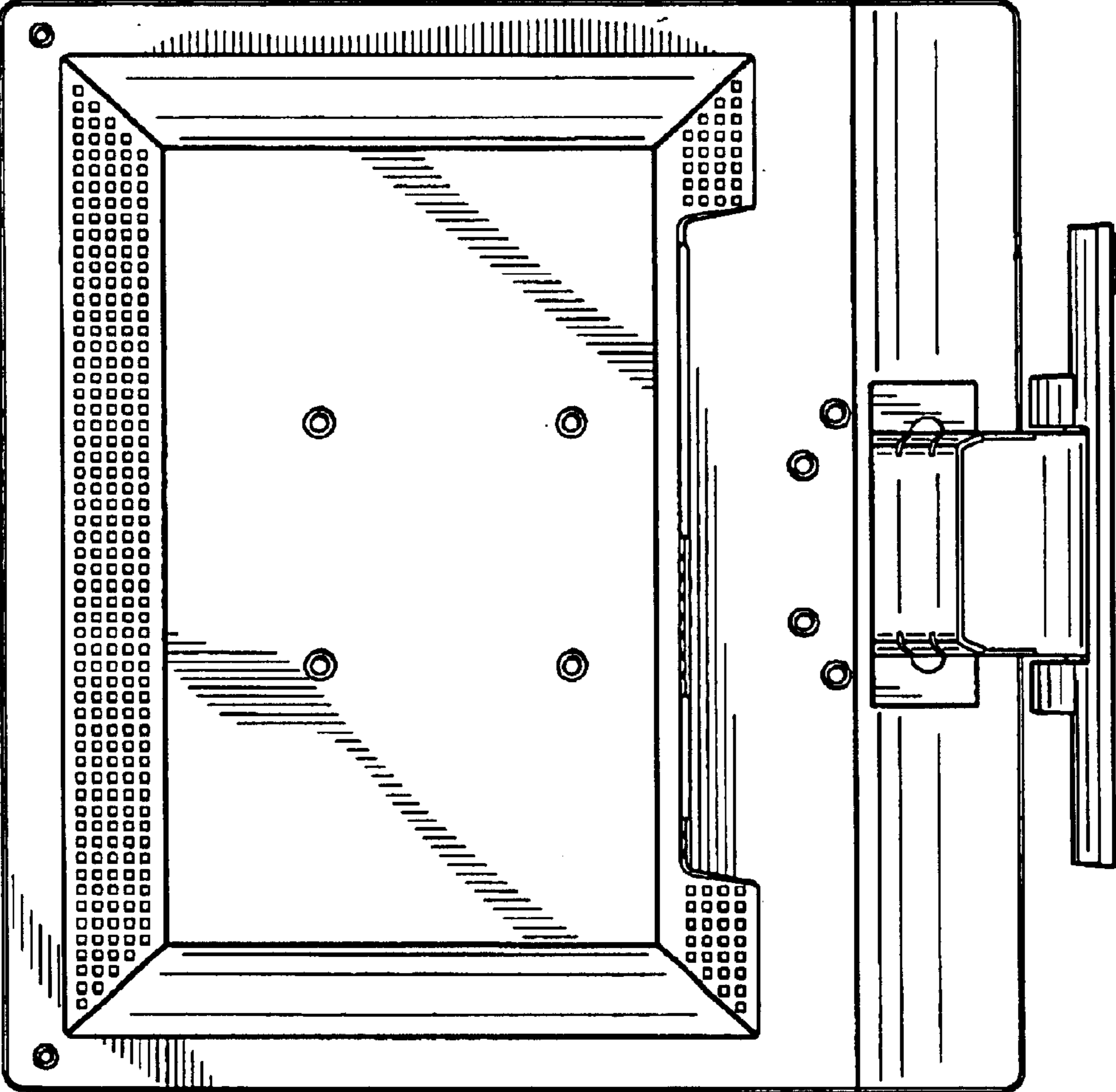


Fig.3

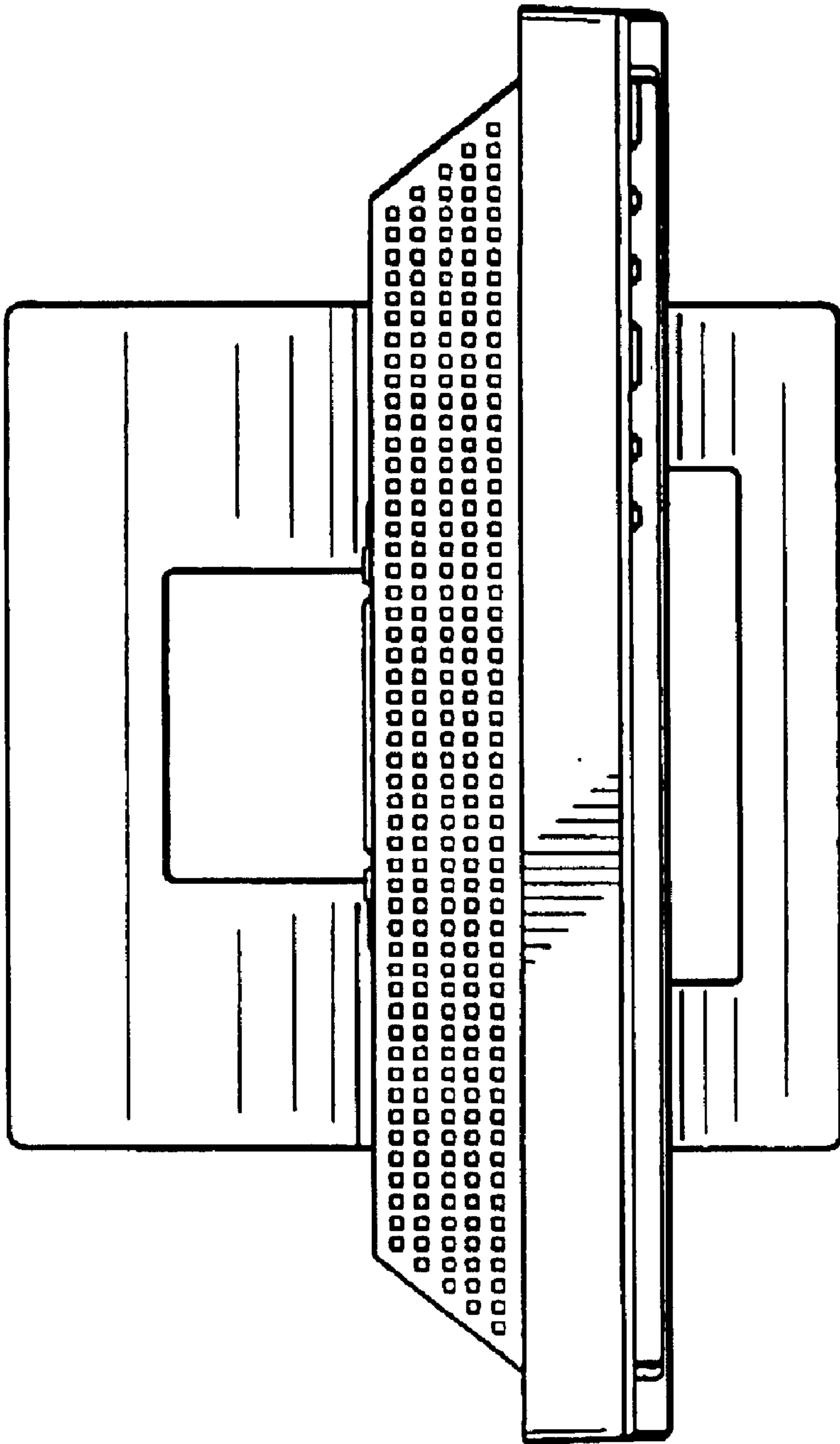


Fig. 4

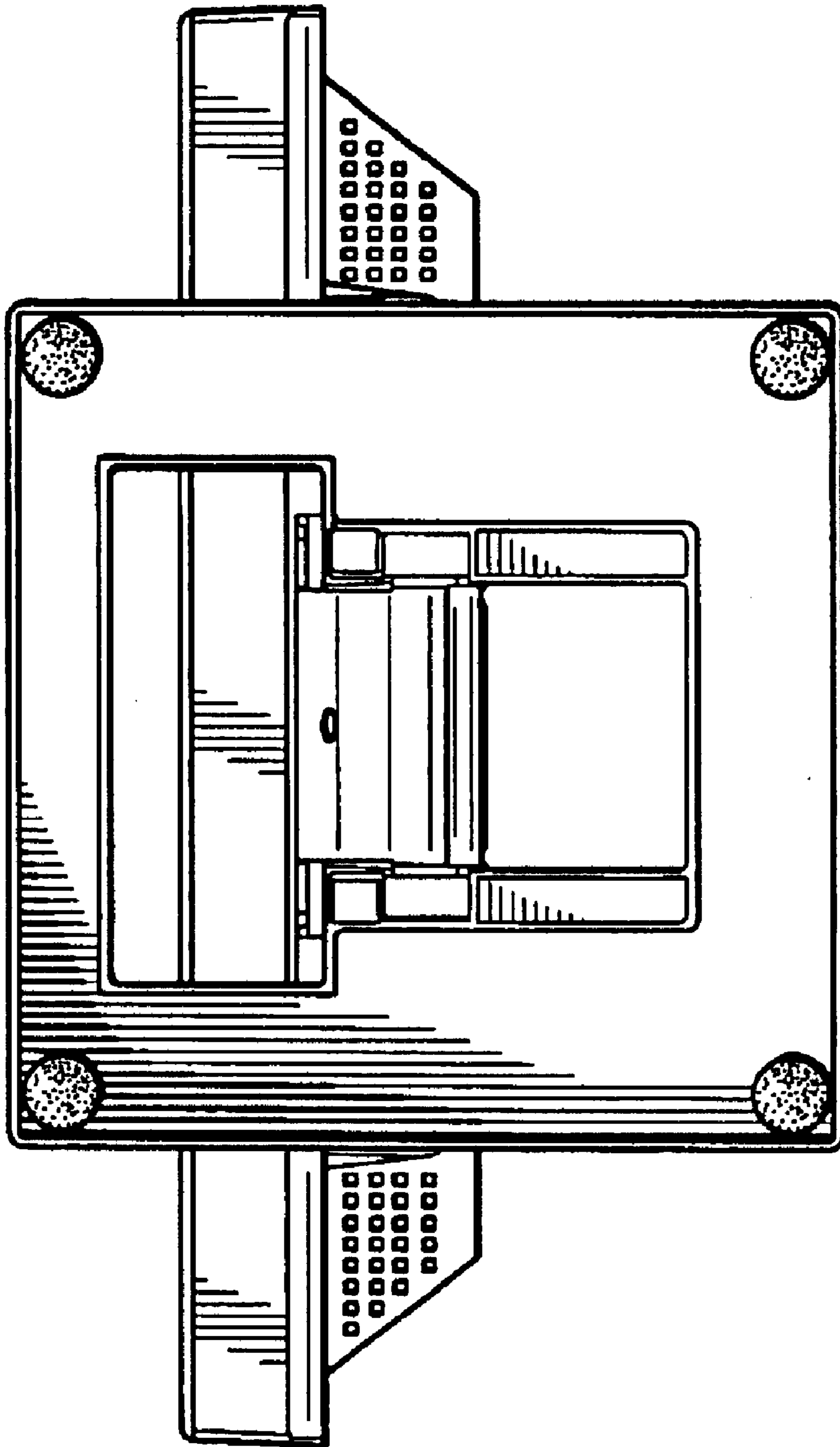


Fig. 5

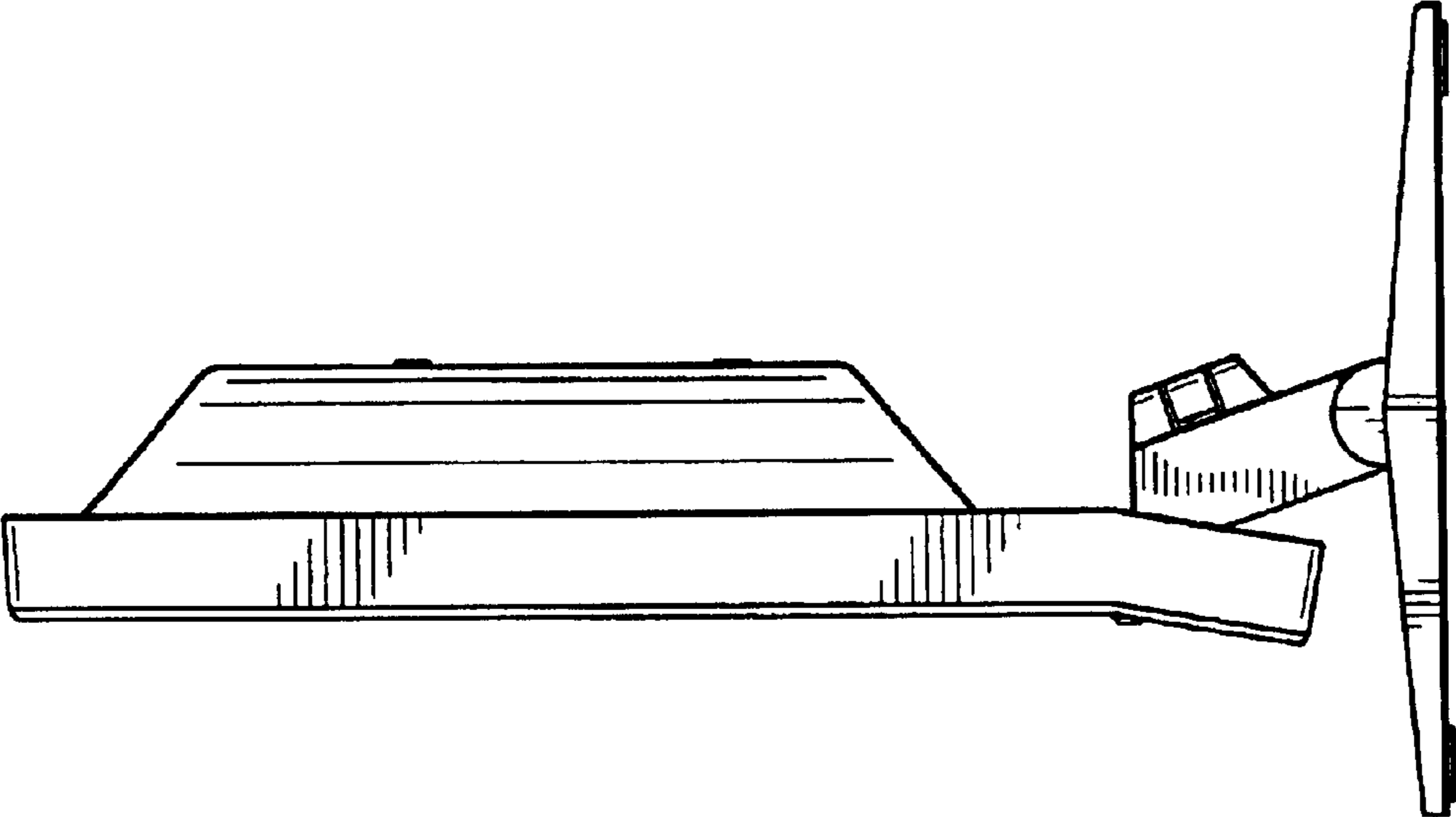


Fig.6

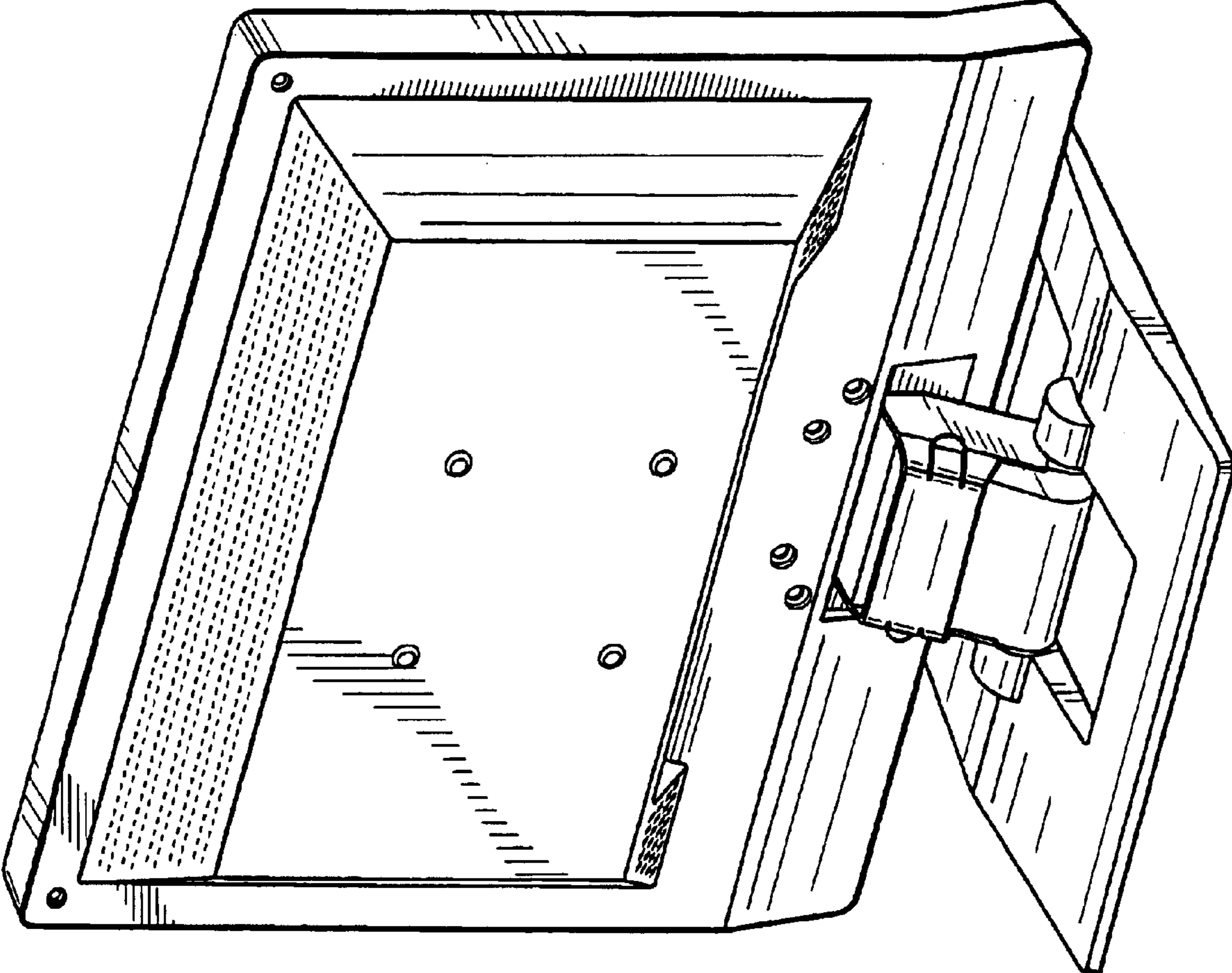


Fig. 7