

US00D499729S

(12) **United States Design Patent**
Hou

(10) **Patent No.:** **US D499,729 S**

(45) **Date of Patent:** **** Dec. 14, 2004**

(54) **LIQUID CRYSTAL DISPLAY**

D469,091 S * 1/2003 Hasegawa et al. D14/375

(75) Inventor: **Chien-Hsu Hou**, Taipei Hsien (TW)

* cited by examiner

(73) Assignee: **Chuntex Electronic Co., Ltd.**, Taipei (TW)

Primary Examiner—Freda S. Nunn
(74) *Attorney, Agent, or Firm*—HersHKovitz & Associates;
Abe HersHKovitz

(**) Term: **14 Years**

(57) **CLAIM**

(21) Appl. No.: **29/199,355**

The ornamental design for a liquid crystal display, as shown.

(22) Filed: **Feb. 17, 2004**

DESCRIPTION

(51) **LOC (7) Cl.** **14-02**

(52) **U.S. Cl.** **D14/375**

(58) **Field of Search** D14/371-375,
D14/125-129; 345/104, 156, 168, 173,
901-905; 348/180, 184, 325, 739; 248/917-924;
341/12; 349/1, 2, 11, 62

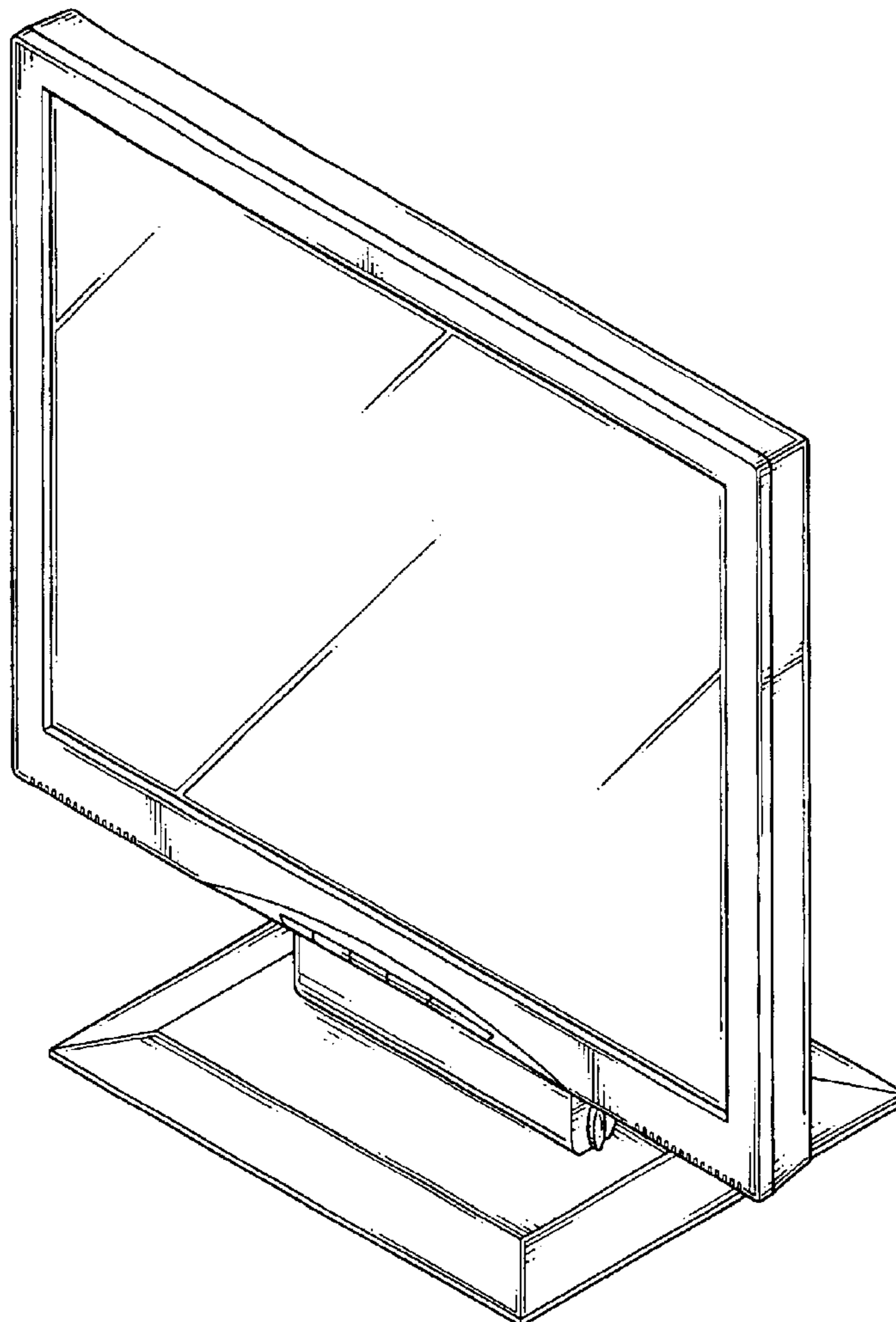
FIG. 1 is a perspective view of a liquid crystal display, showing my new design;
FIG. 2 is a front elevational view thereof;
FIG. 3 is a rear elevational view thereof;
FIG. 4 is a left elevational view thereof;
FIG. 5 is a right elevational view thereof;
FIG. 6 is top plan view thereof; and,
FIG. 7 is a bottom plan view thereof.

(56) **References Cited**

U.S. PATENT DOCUMENTS

D468,311 S * 1/2003 Lee D14/375

1 Claim, 5 Drawing Sheets



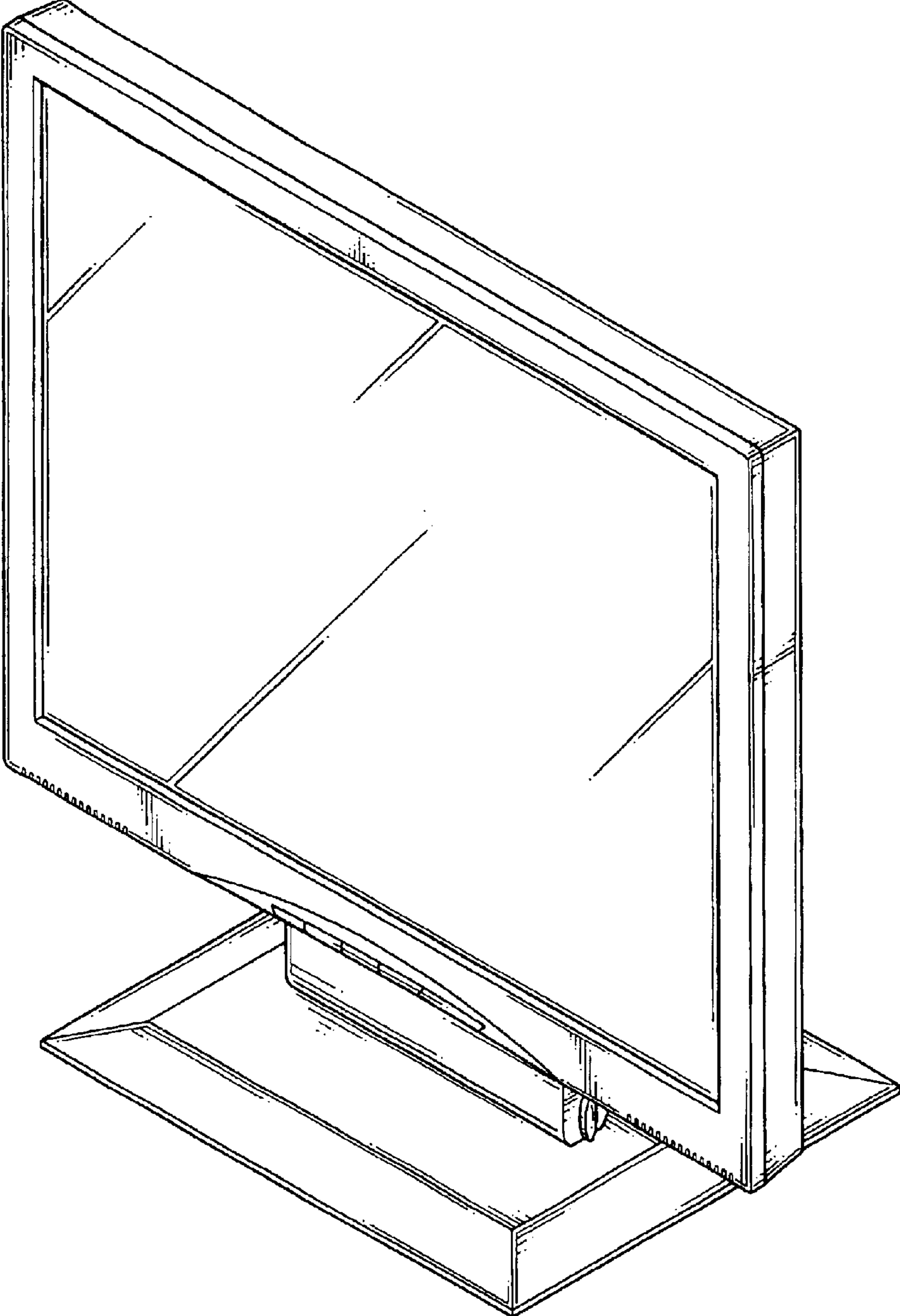


FIG.1

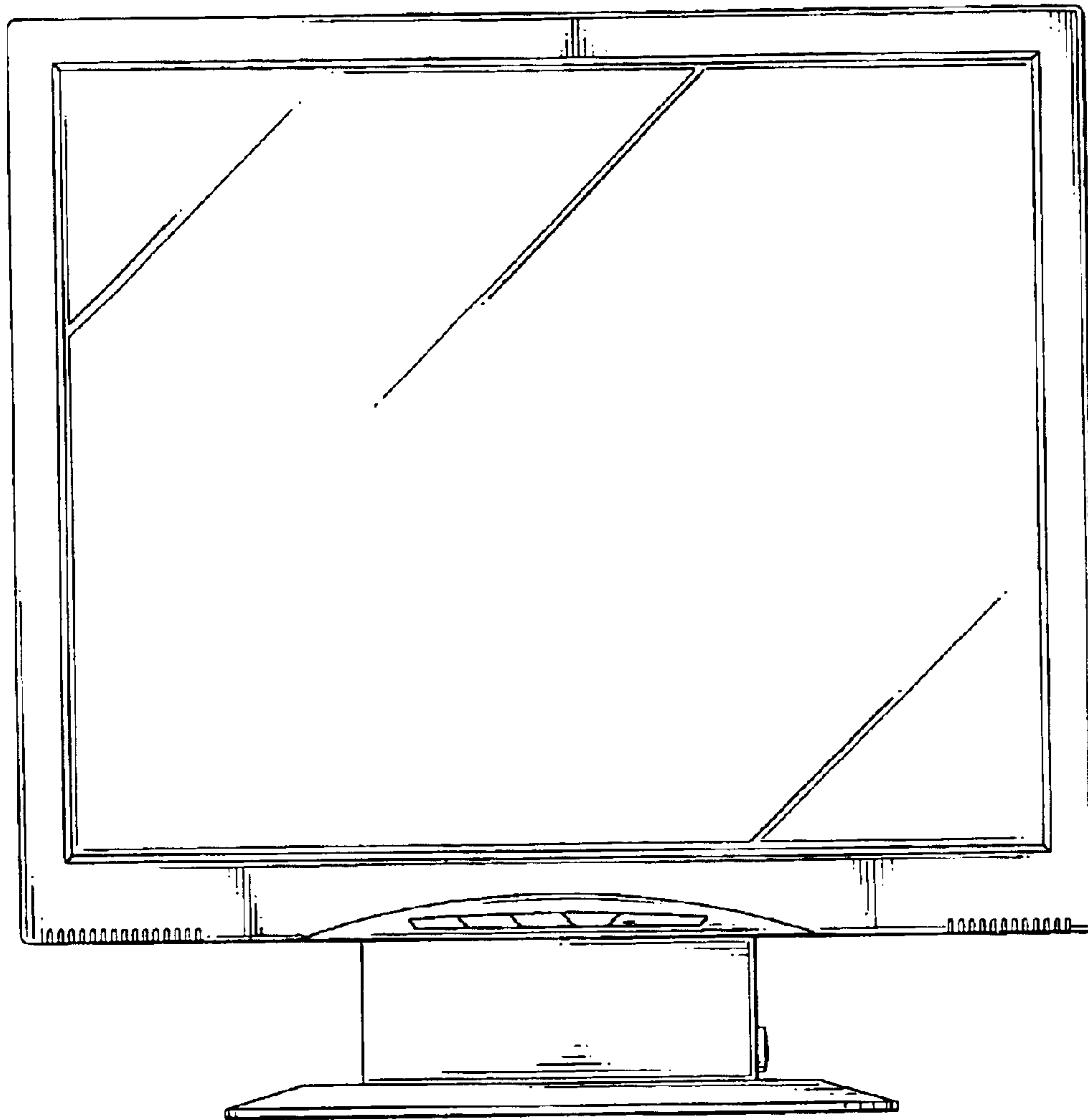


FIG. 2

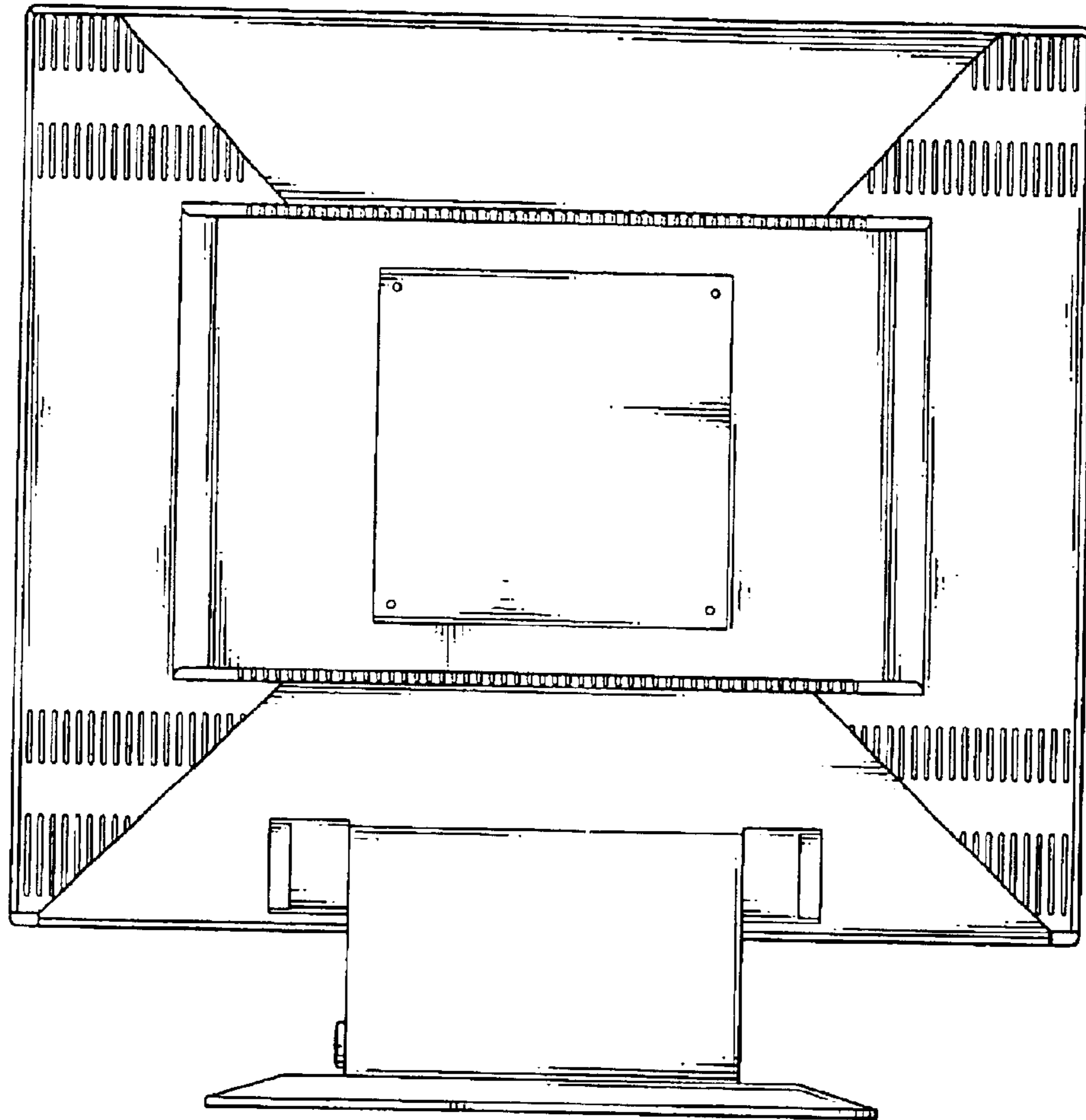


FIG. 3

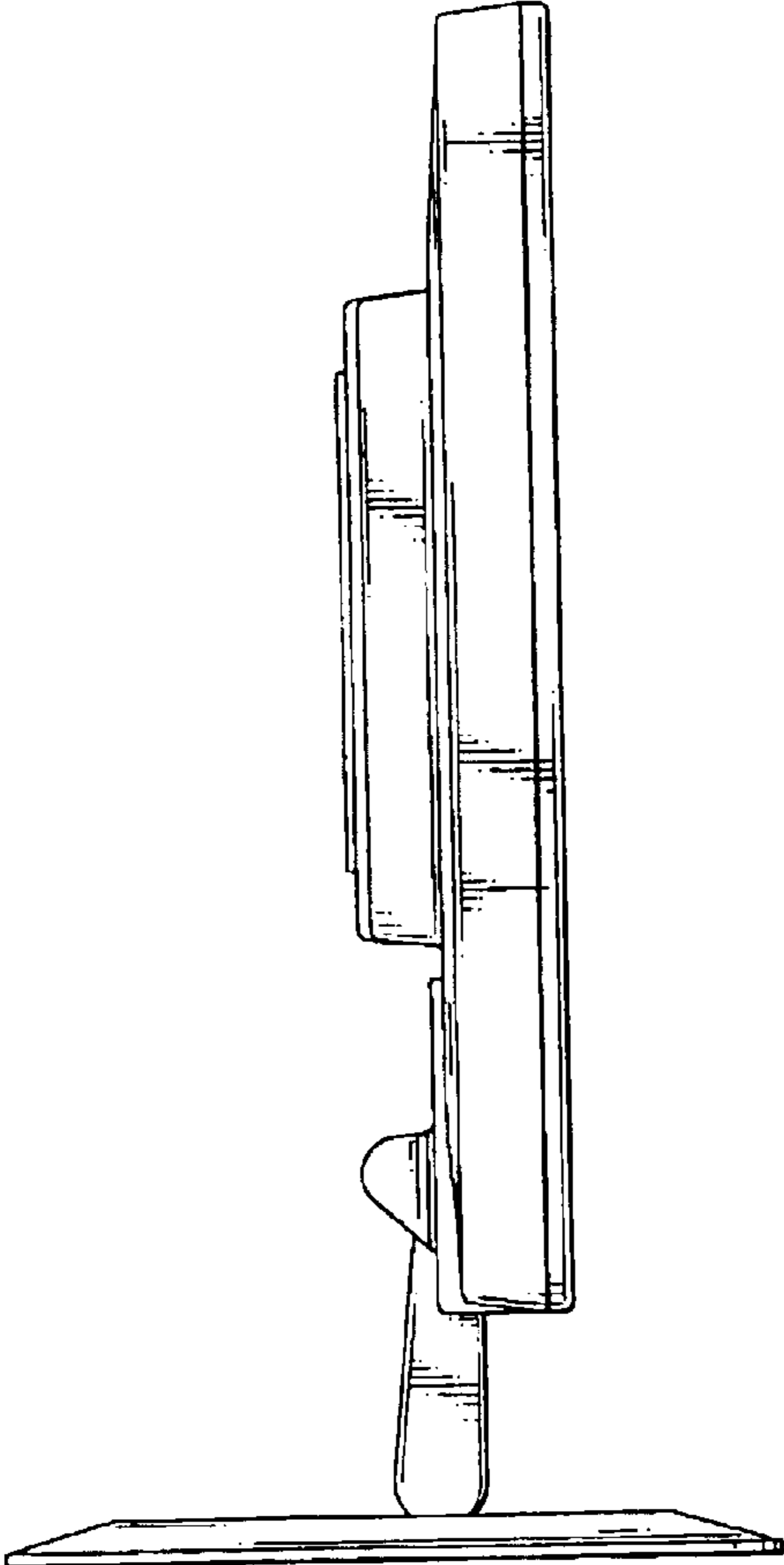


FIG. 4

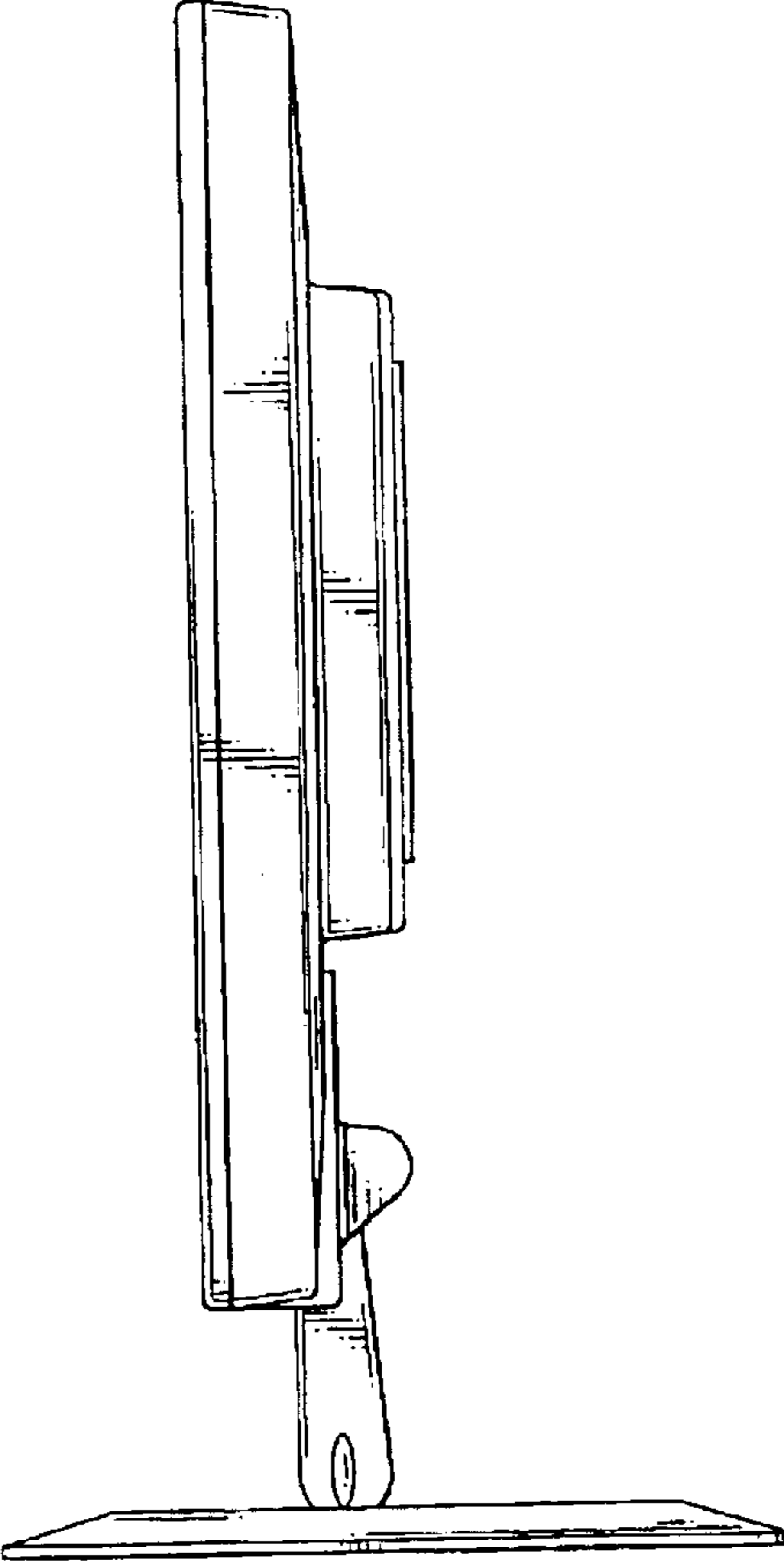


FIG. 5

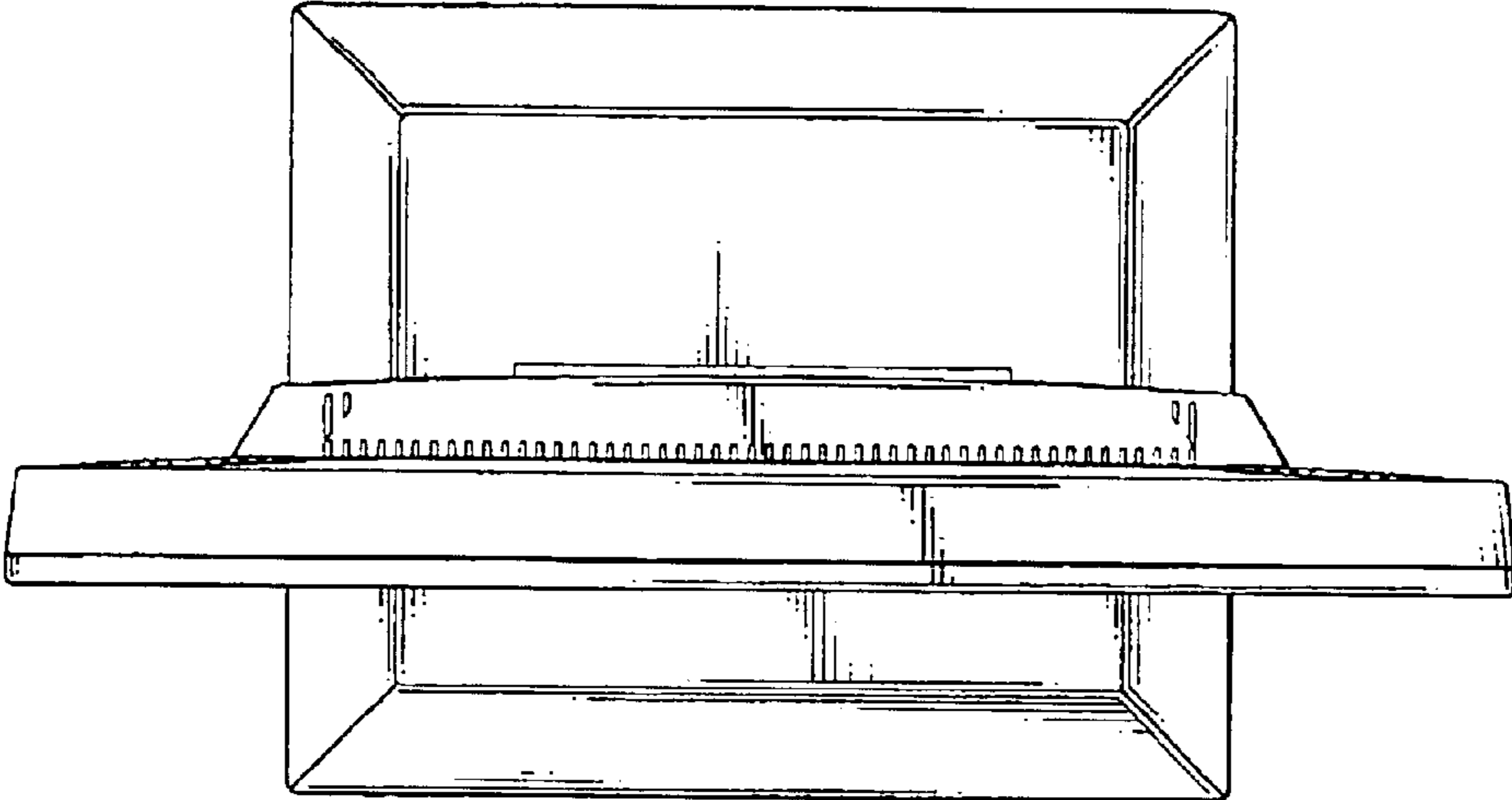


FIG. 6

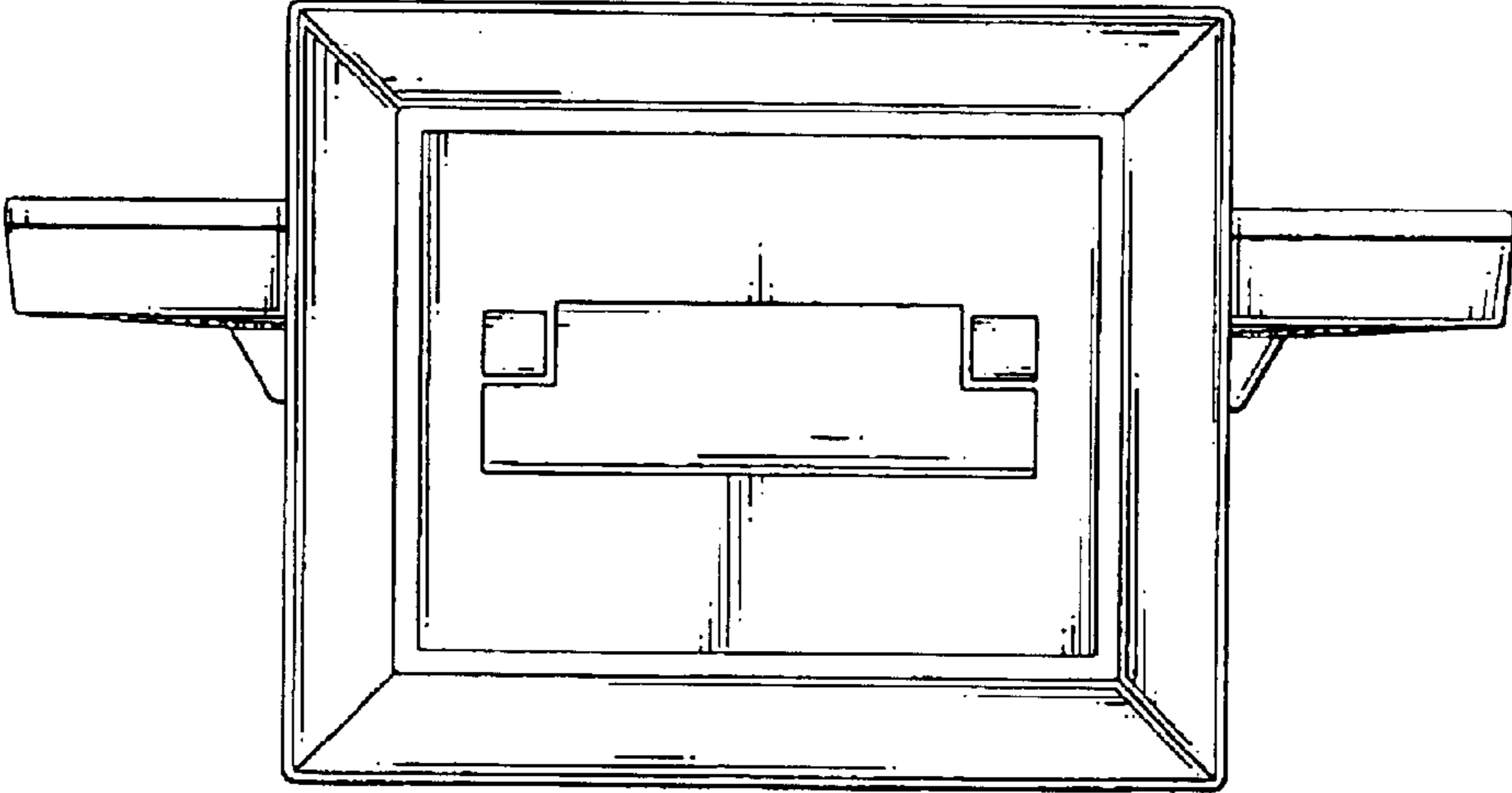


FIG. 7