

US00D499728S

(12) **United States Design Patent**
Lin et al.

(10) **Patent No.:** **US D499,728 S**
(45) **Date of Patent:** **** Dec. 14, 2004**

(54) **LIQUID CRYSTAL DISPLAY**
(75) Inventors: **Chia-Chuan Lin**, Banchiao (TW);
Chien-Jui Wang, Taipei (TW)
(73) Assignee: **BENQ Corporation**, Taoyuan (TW)
(**) Term: **14 Years**

D462,074 S * 8/2002 Kim 14/375
D484,130 S * 12/2003 Olson et al. D14/375
D484,131 S * 12/2003 Olson et al. D14/375
D484,133 S * 12/2003 Liu et al. D14/375

* cited by examiner

Primary Examiner—Freda S. Nunn
(74) *Attorney, Agent, or Firm*—Quintero Law Office

(21) Appl. No.: **29/199,877**
(22) Filed: **Feb. 20, 2004**
(30) **Foreign Application Priority Data**

Nov. 21, 2003 (TW) 92307049
(51) **LOC (7) Cl.** **14-02**
(52) **U.S. Cl.** **D14/371**
(58) **Field of Search** D14/371–375,
D14/125–129; 345/104, 156, 168, 173,
901–905; 348/180, 184, 325, 739; 248/917–924;
341/12; 349/1, 2, 11, 62

(57) **CLAIM**

The ornamental design for a liquid crystal display, as shown and described.

DESCRIPTION

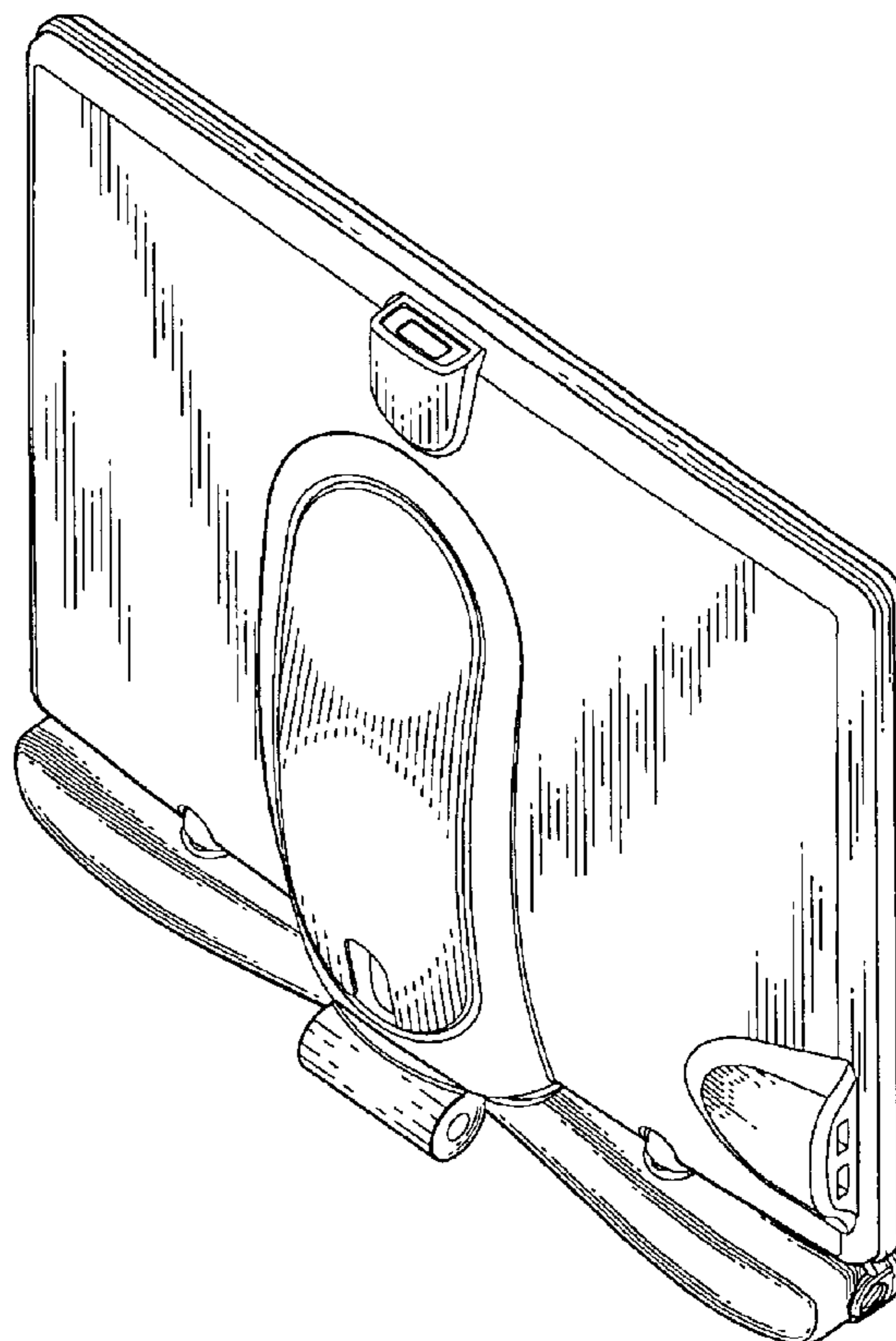
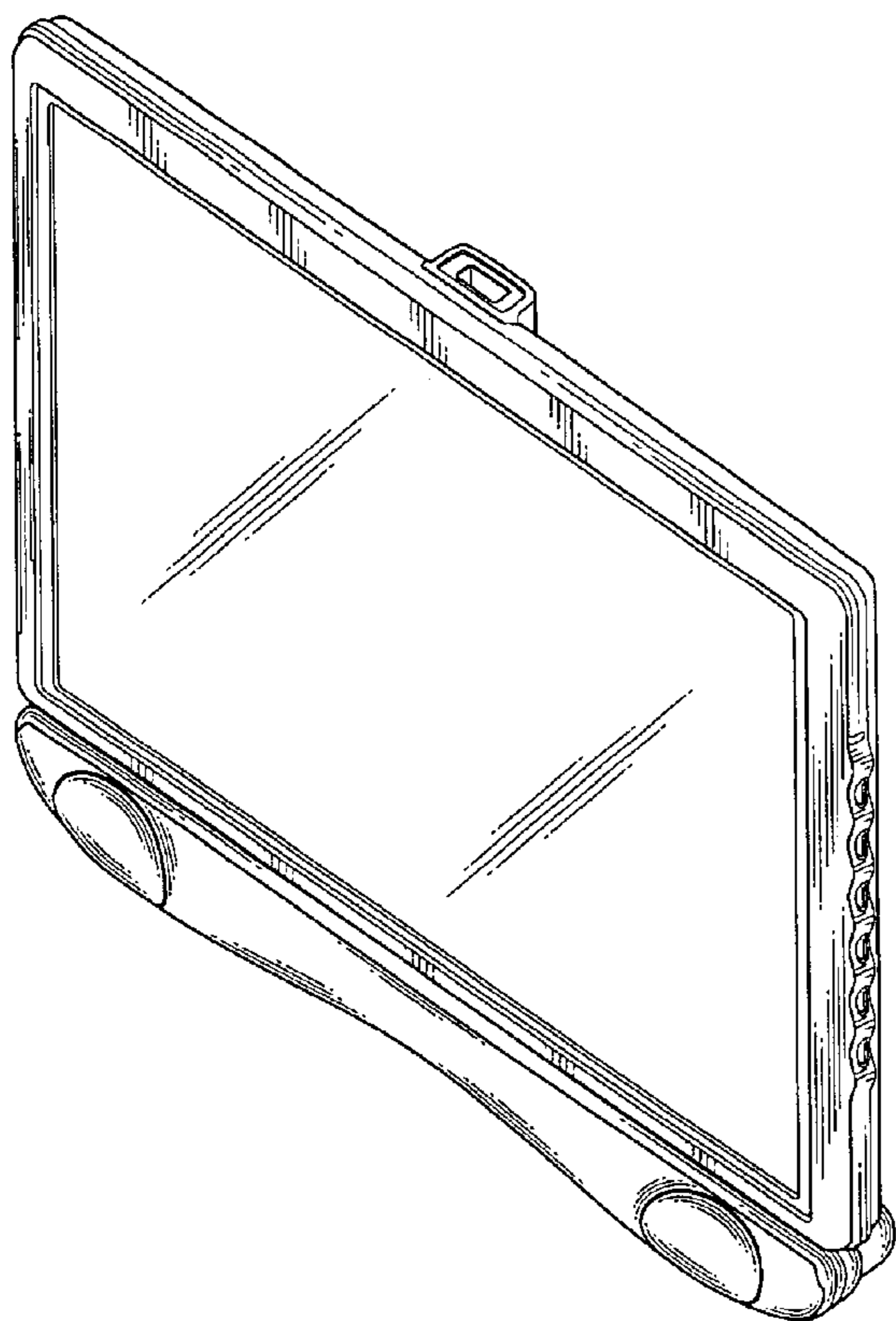
FIG. 1 is a perspective view thereof;
FIG. 2 is a front elevational view thereof;
FIG. 3 is a rear elevational view thereof;
FIG. 4 is a left side elevational view thereof;
FIG. 5 is a right side elevational view thereof;
FIG. 6 is a top plane view thereof;
FIG. 7 is a bottom plane view thereof; and,
FIG. 8 is also a perspective view thereof.

(56) **References Cited**

U.S. PATENT DOCUMENTS

D453,333 S * 2/2002 Chen D14/374

1 Claim, 6 Drawing Sheets



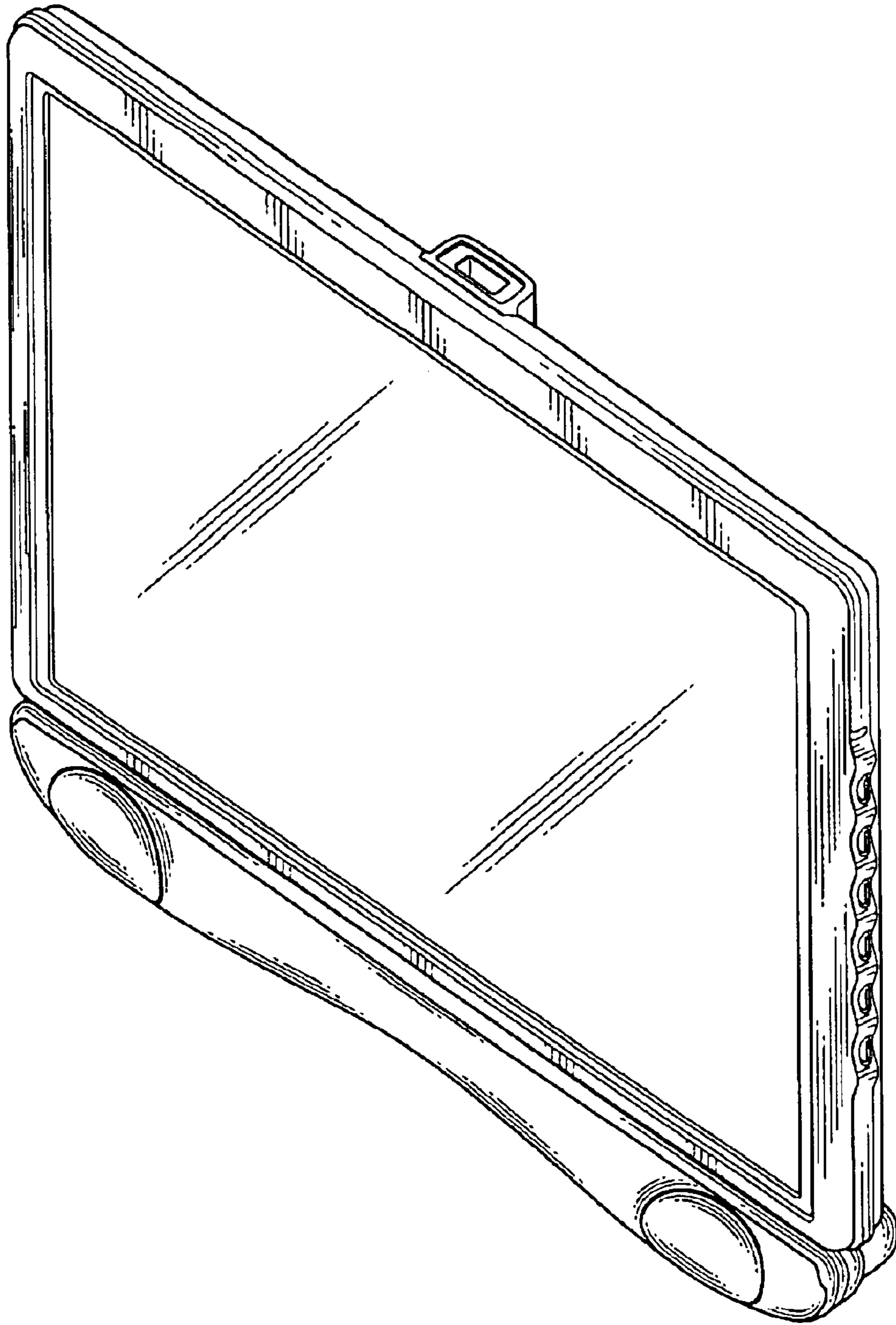


FIG. 1

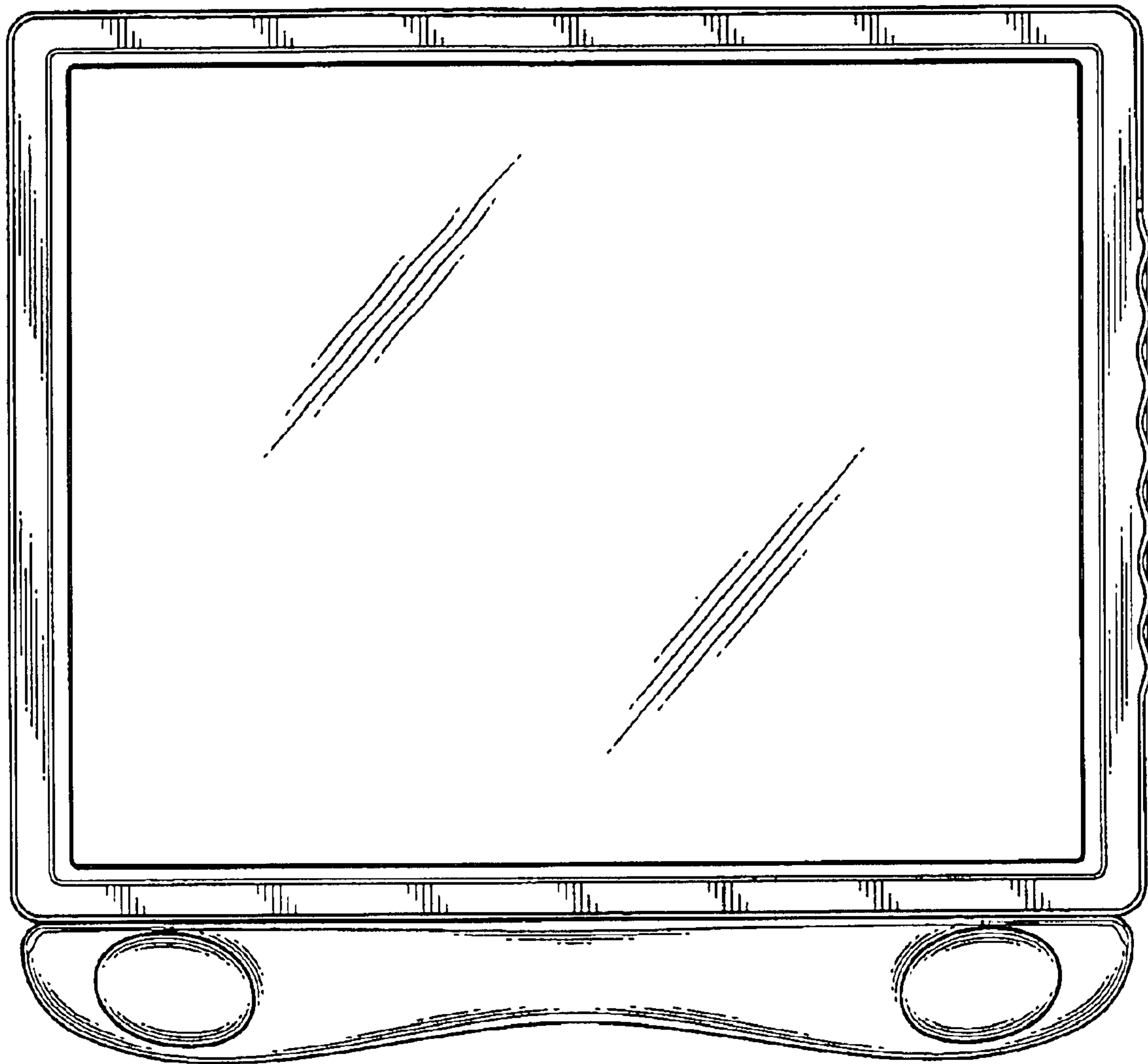


FIG. 2

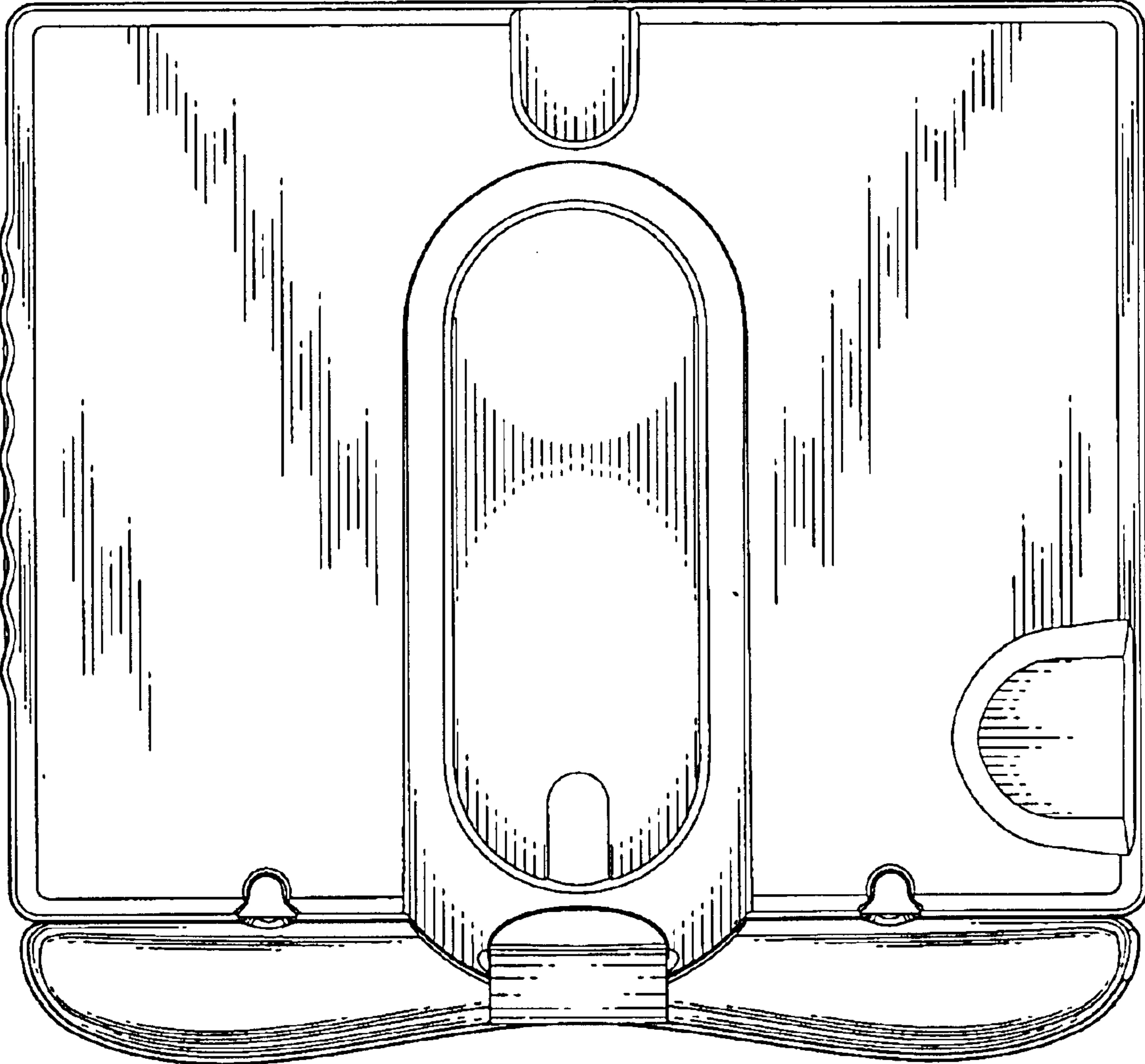


FIG. 3

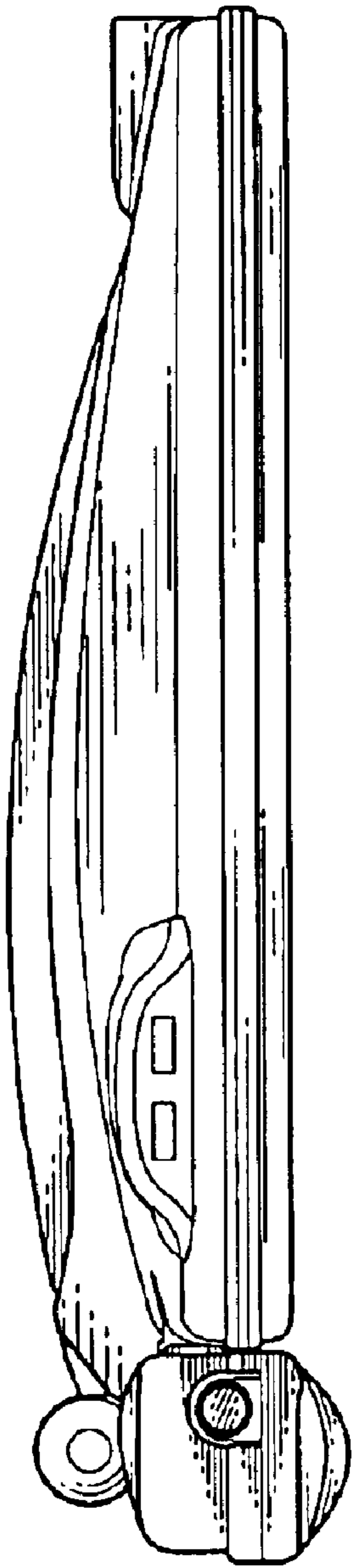


FIG. 4

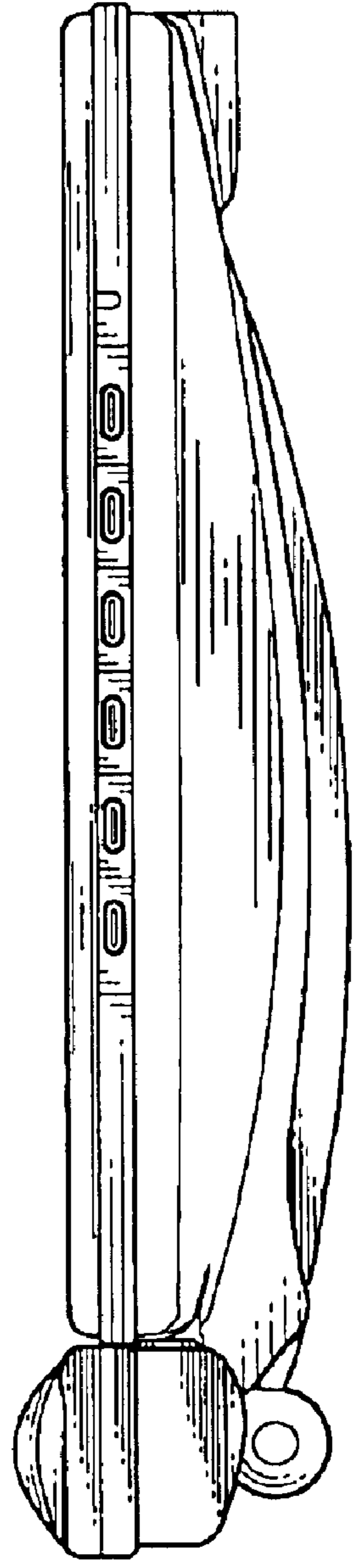


FIG. 5

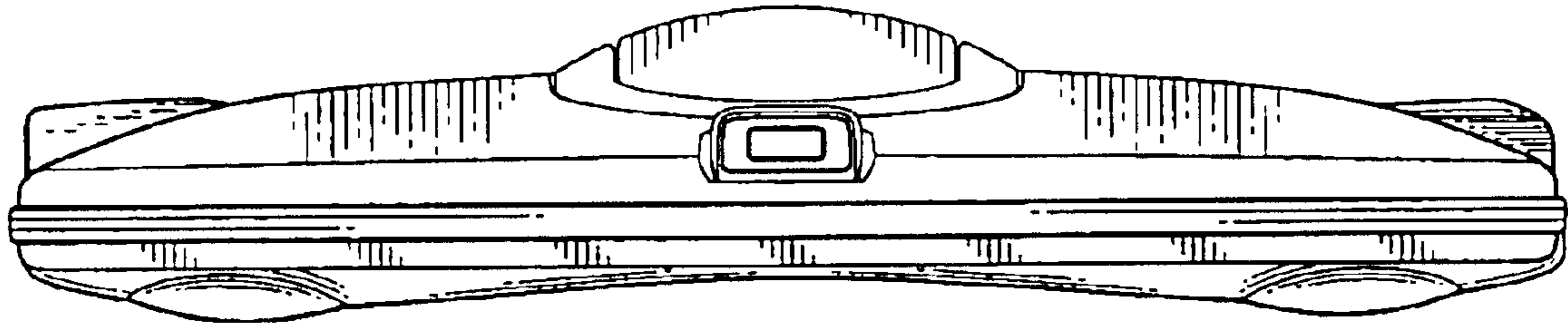


FIG. 6

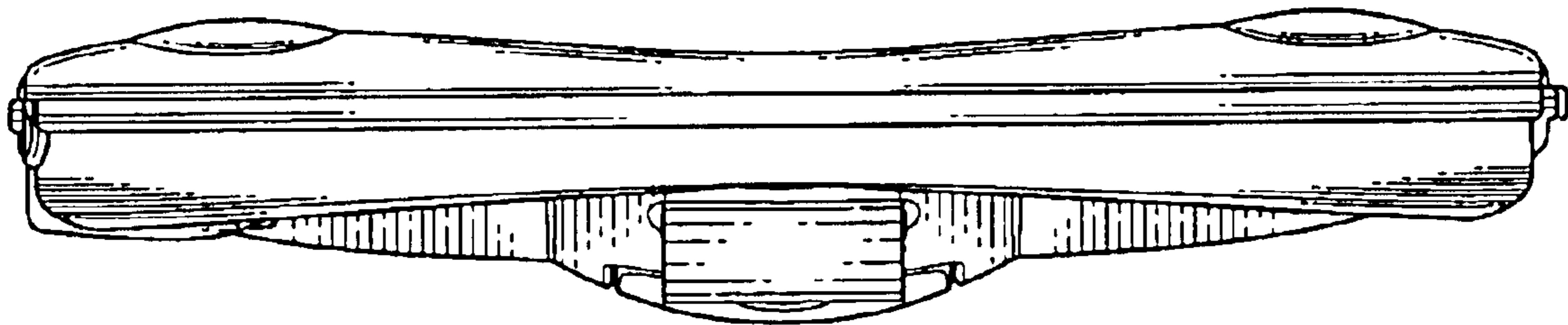


FIG. 7

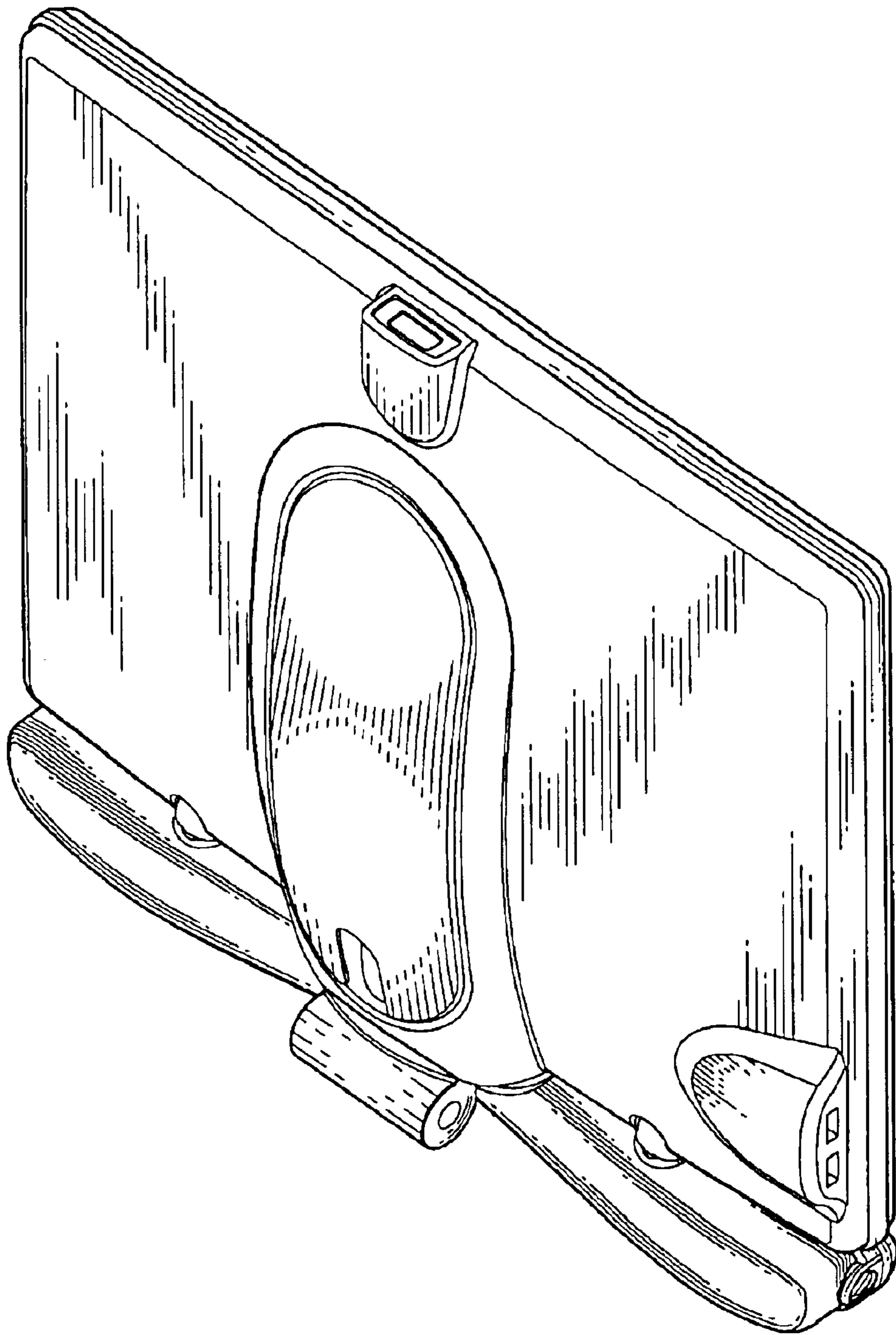


FIG. 8