



US00D499716S

(12) **United States Design Patent**
Lum

(10) **Patent No.:** **US D499,716 S**

(45) **Date of Patent:** **** Dec. 14, 2004**

(54) **AUDIO COMPONENT**

(75) **Inventor:** **Myk Wayne Lum, Irvine, CA (US)**

(73) **Assignee:** **Harman International Industries, Incorporated, Northridge, CA (US)**

(**) **Term:** **14 Years**

(21) **Appl. No.:** **29/196,707**

(22) **Filed:** **Jan. 2, 2004**

(51) **LOC (7) Cl. 14-03**

(52) **U.S. Cl. D14/188**

(58) **Field of Search** D14/188, 193-198,
D14/265, 168; 455/343, 344, 346-351;
381/86, 120

(56) **References Cited**

U.S. PATENT DOCUMENTS

4,807,292	A	*	2/1989	Sorscher	381/86
5,285,500	A	*	2/1994	Mantz	381/86
5,546,468	A	*	8/1996	Beard	381/86
D386,178	S	*	11/1997	Frederick et al.	D14/188
5,864,627	A	*	1/1999	Kim	381/86
D415,493	S	*	10/1999	Shieber	D14/188
D419,156	S	*	1/2000	Yamazaki	D14/188

D423,503	S	*	4/2000	Abdo	D14/188
D431,816	S	*	10/2000	Beaumont et al.	D14/188
6,147,596	A	*	11/2000	Tsuchiya et al.	340/425.5
6,377,694	B1	*	4/2002	von Rijsbergen	381/87
D465,474	S		11/2002	Lum		
D466,107	S		11/2002	Lum		

* cited by examiner

Primary Examiner—Prabhakar Deshmukh

(74) *Attorney, Agent, or Firm*—Plumsea Law Group, LLC

(57) **CLAIM**

The ornamental design for an audio component, as shown and described.

DESCRIPTION

FIG. 1 is a perspective view of an audio component showing my new design;

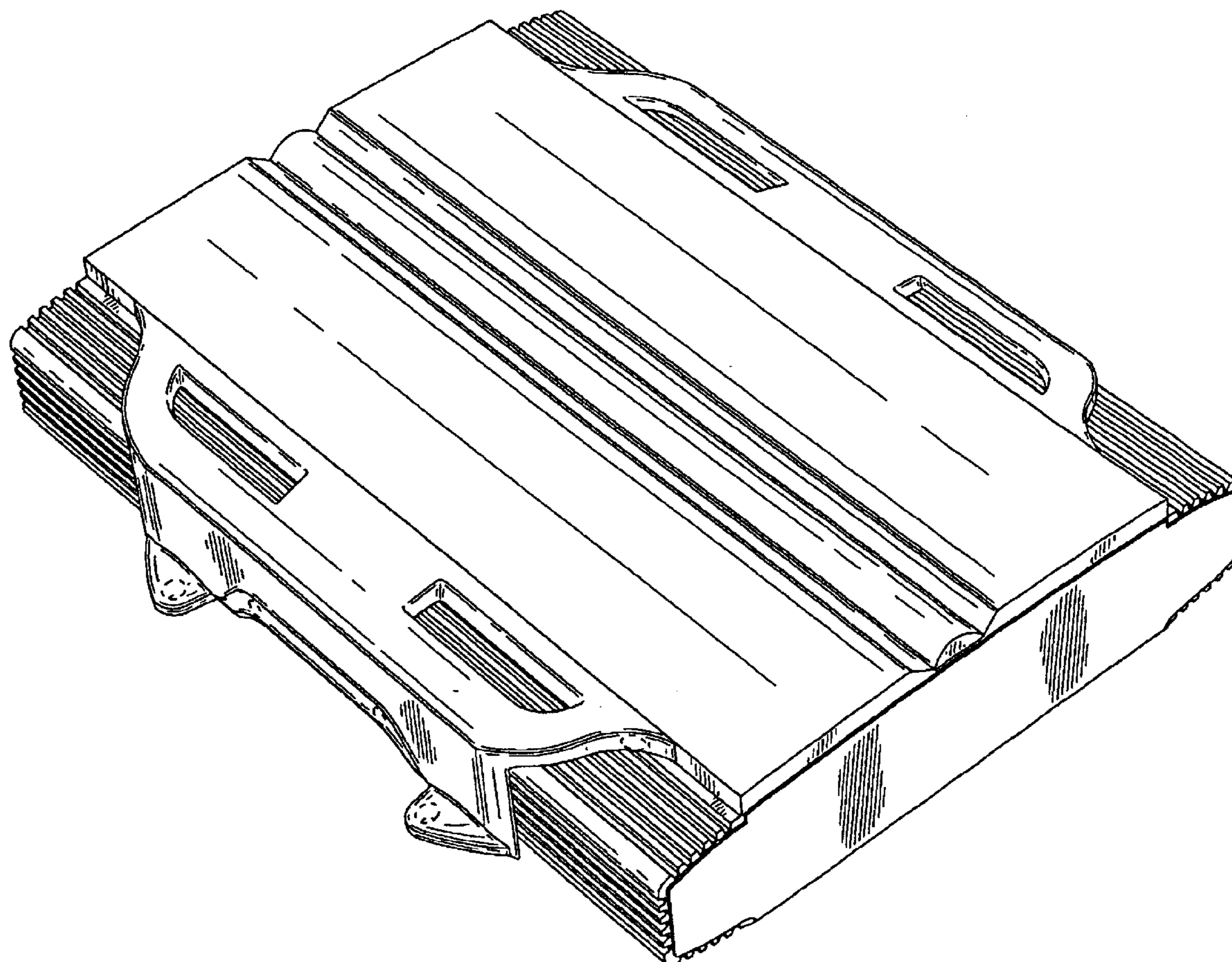
FIG. 2 is a side elevational view, the opposite side elevational view being a mirror image thereof;

FIG. 3 is a top plan view thereof; and,

FIG. 4 is an end elevational view, the opposite end elevational view being a mirror image thereof.

The broken line showings of the circles are for illustrative purposes only and form no part of the claimed invention.

1 Claim, 4 Drawing Sheets



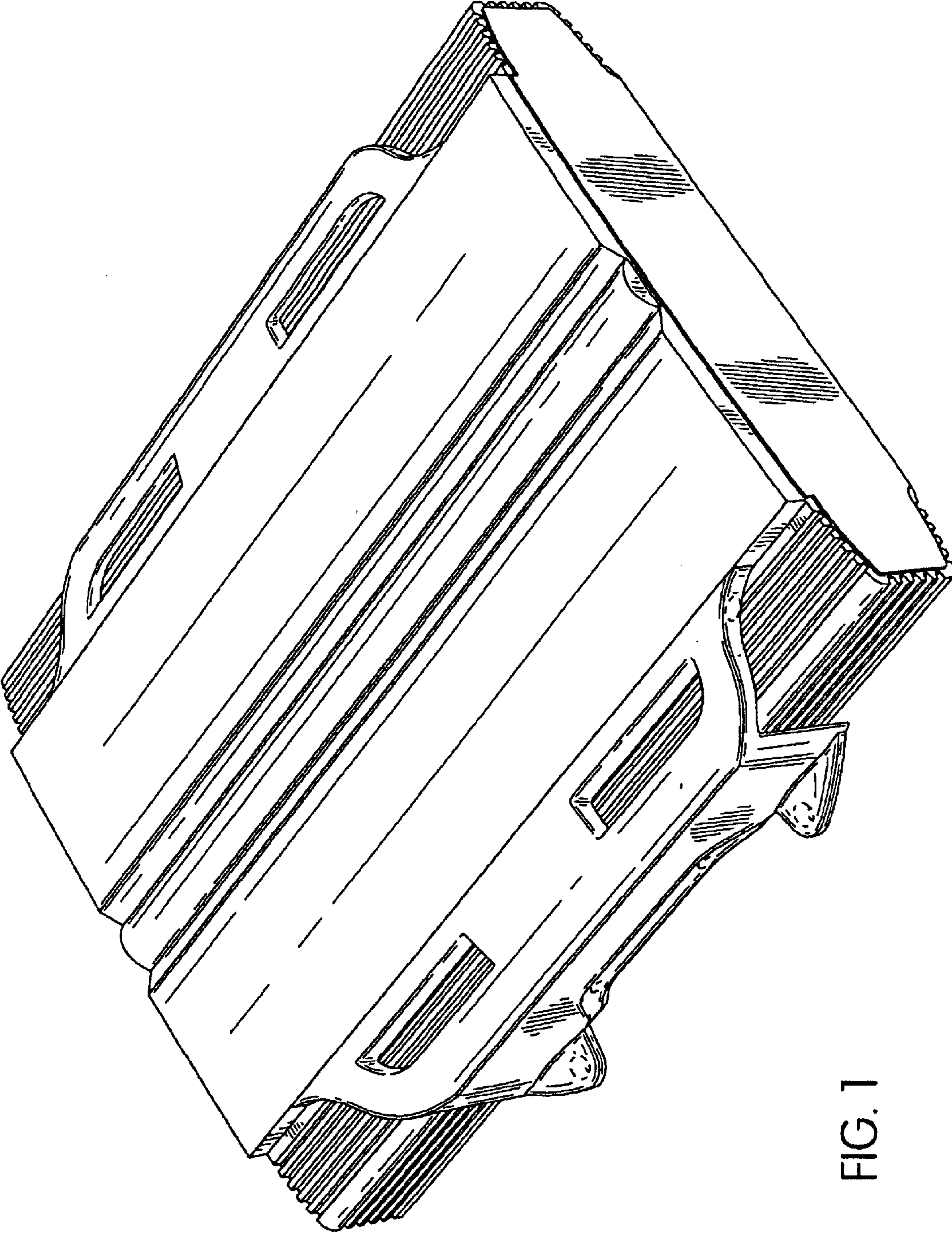


FIG. 1

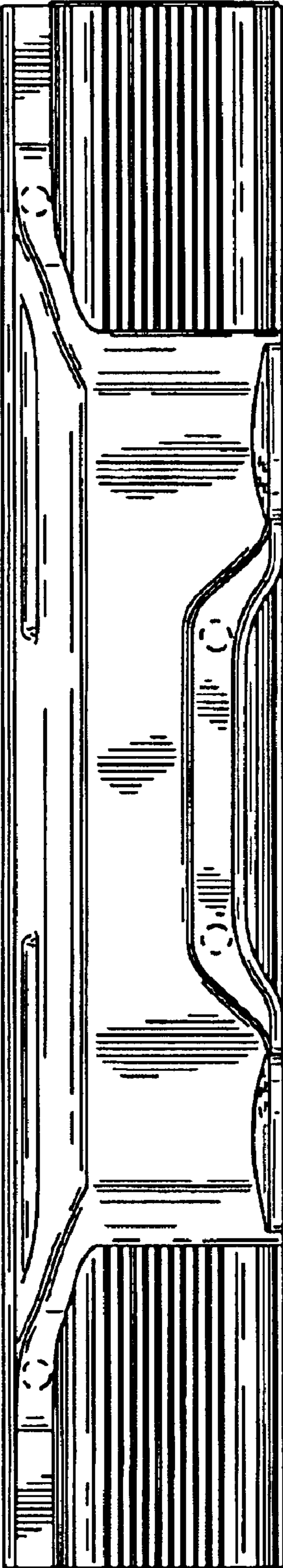


FIG. 2

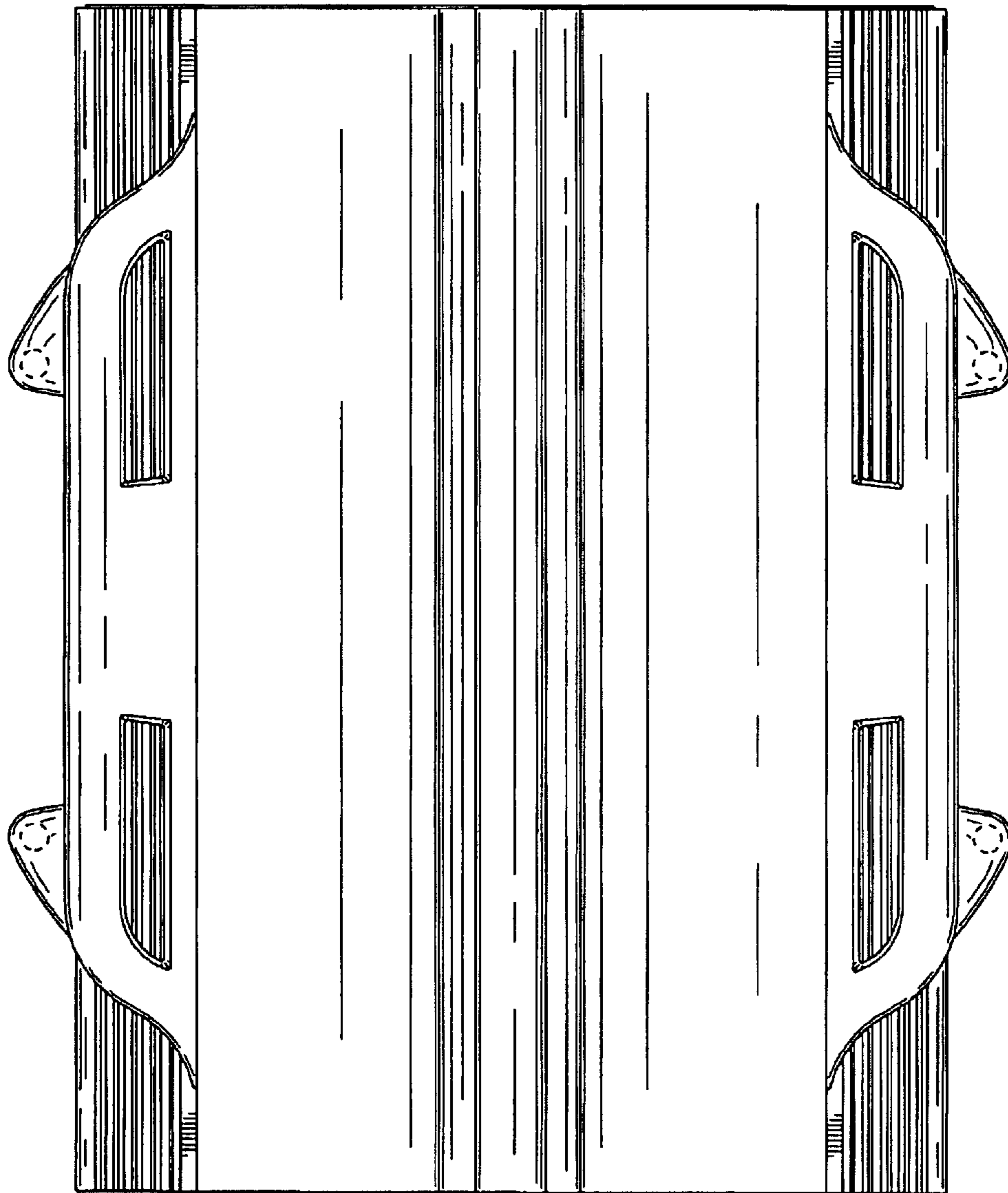


FIG. 3

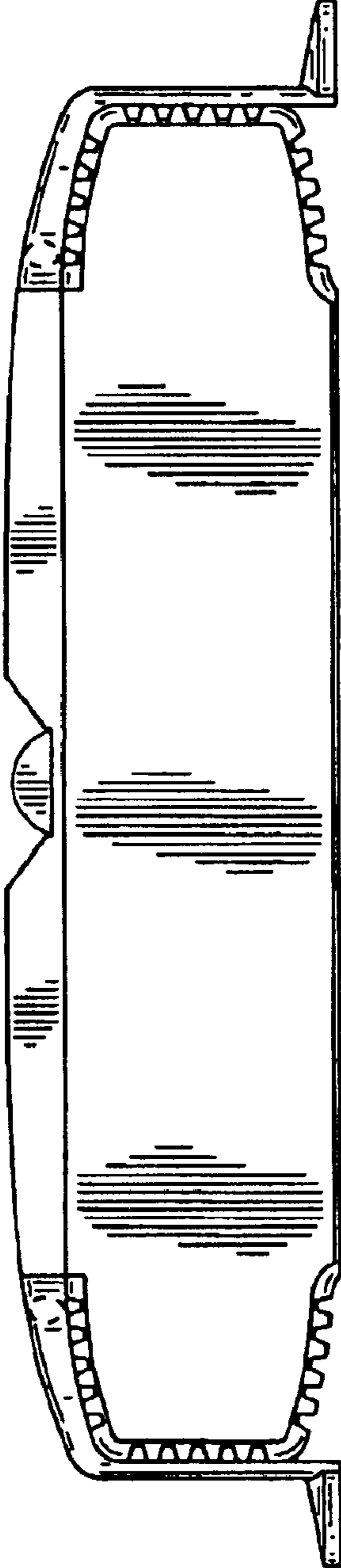


FIG. 4