

US00D499715S

(12) **United States Design Patent**
Zeitman

(10) **Patent No.:** **US D499,715 S**

(45) **Date of Patent:** **** Dec. 14, 2004**

(54) **CLOCK RADIO**

D433,009 S * 10/2000 Kokkinis D14/171
D464,036 S * 10/2002 Matsuoka D14/171

(75) Inventor: **Josh Zeitman**, Brooklyn, NY (US)

* cited by examiner

(73) Assignee: **Lenoxx Electronics Corp.**, Brooklyn, NY (US)

Primary Examiner—Nanda Bondade
(74) *Attorney, Agent, or Firm*—Burns, Doane, Swecker & Mathis, L.L.P.

(**) Term: **14 Years**

(57) **CLAIM**

(21) Appl. No.: **29/197,467**

The ornamental design for a “clock radio”, as shown and described.

(22) Filed: **Jan. 16, 2004**

(51) **LOC (7) Cl.** **14-01**

(52) **U.S. Cl.** **D14/171**

(58) **Field of Search** D14/135–136,
D14/160–168, 188, 193–198, 170–171;
455/100, 344, 347–351; D10/1–2, 15

DESCRIPTION

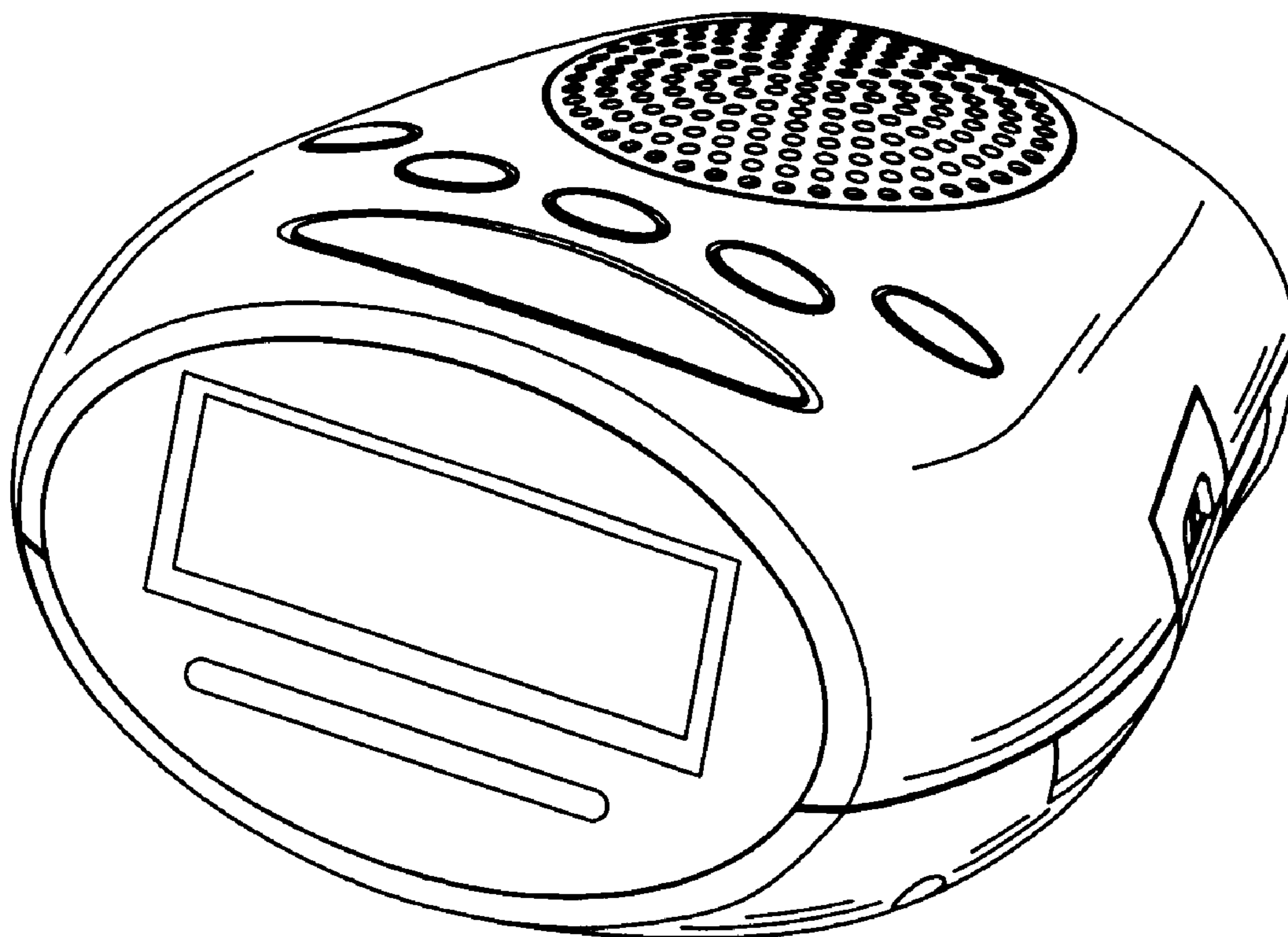
FIG. 1 is a top view of a “clock radio” showing my design;
FIG. 2 is a bottom view thereof;
FIG. 3 is a right side view thereof;
FIG. 4 is a left side view thereof;
FIG. 5 is a rear view thereof;
FIG. 6 is a bottom view thereof; and,
FIG. 7 is a perspective view thereof.

(56) **References Cited**

U.S. PATENT DOCUMENTS

D414,491 S * 9/1999 Kokkinis D14/171
D416,901 S * 11/1999 Duke D14/171

1 Claim, 3 Drawing Sheets



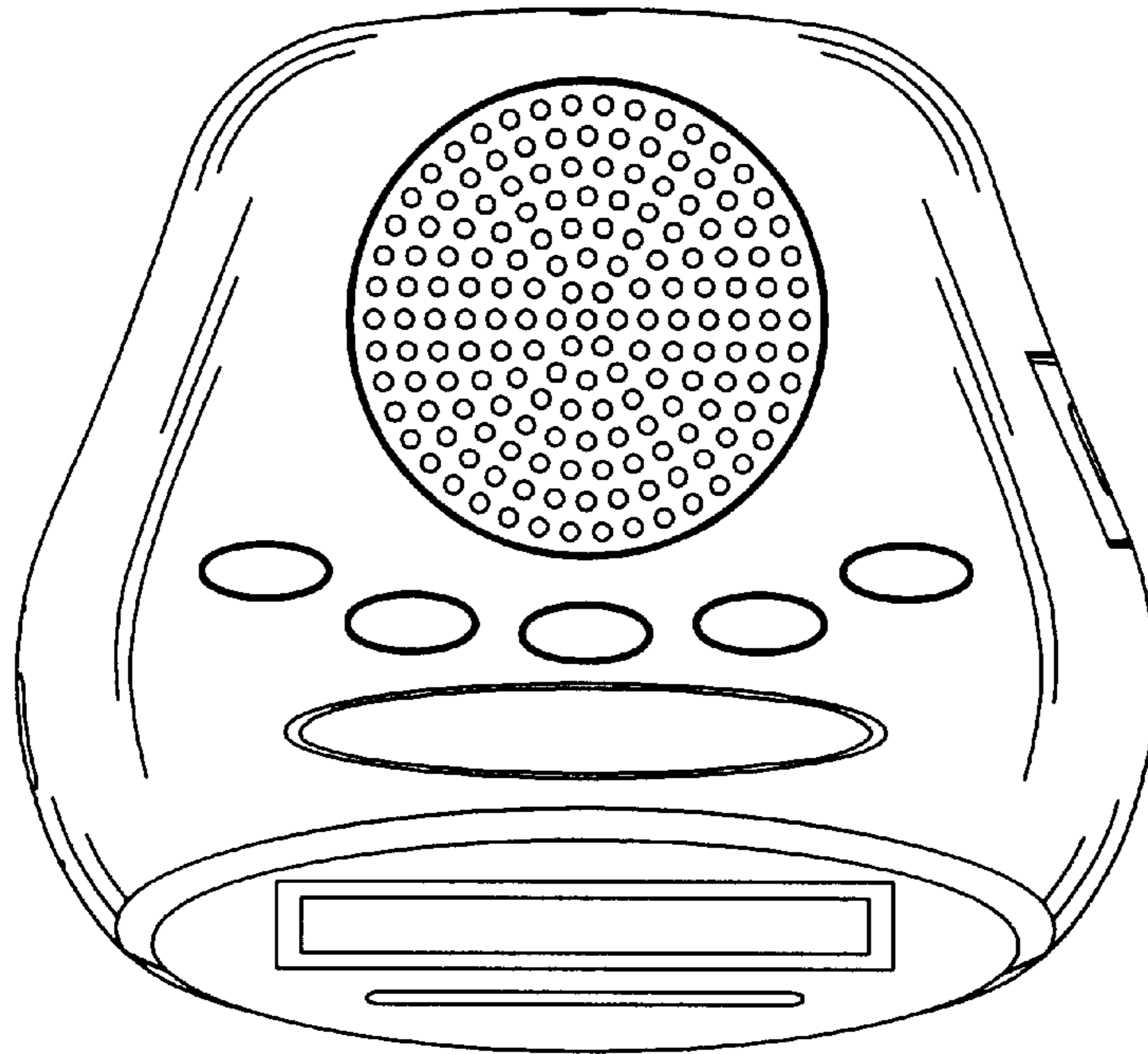


Fig. 1

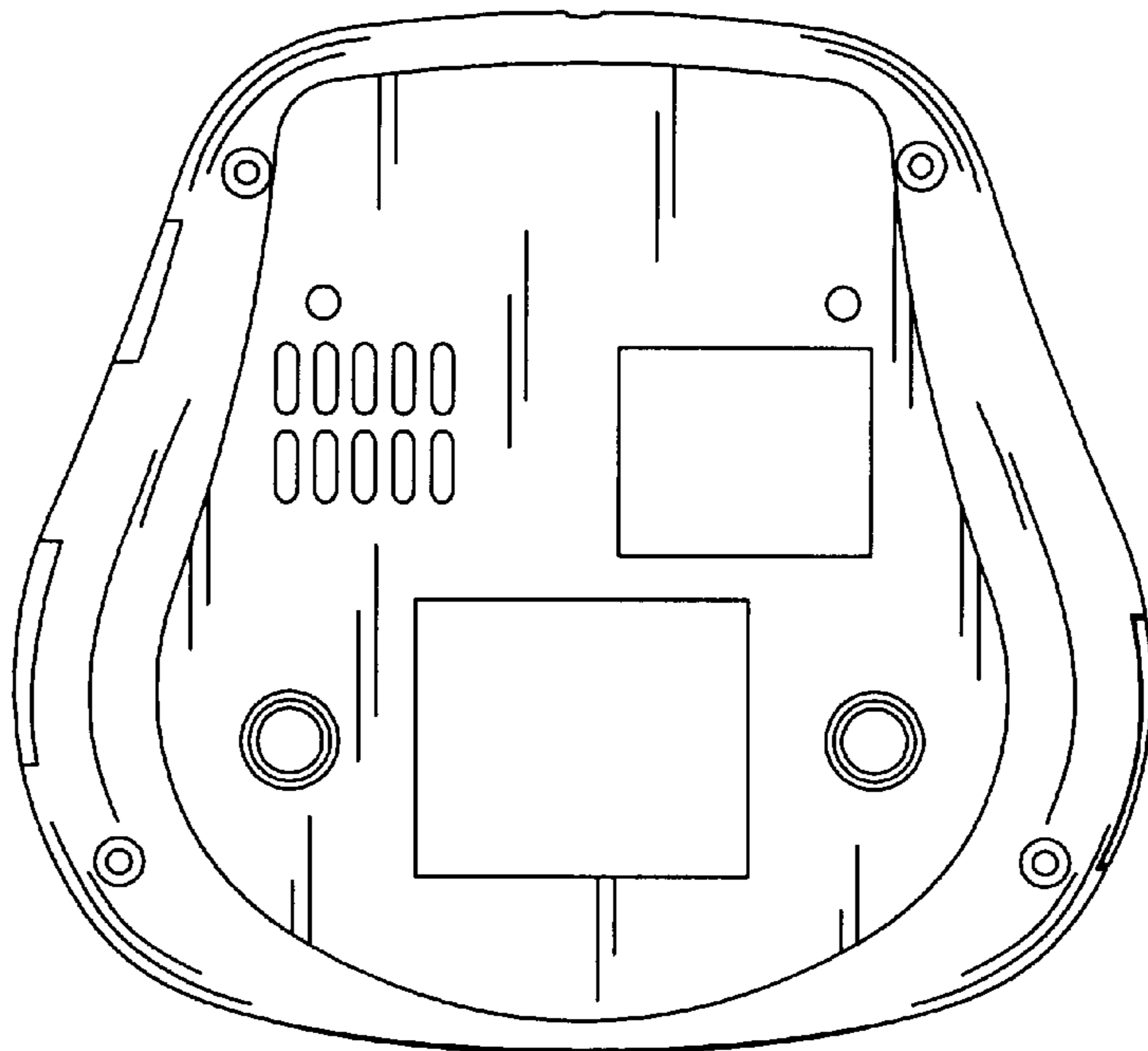


Fig. 2

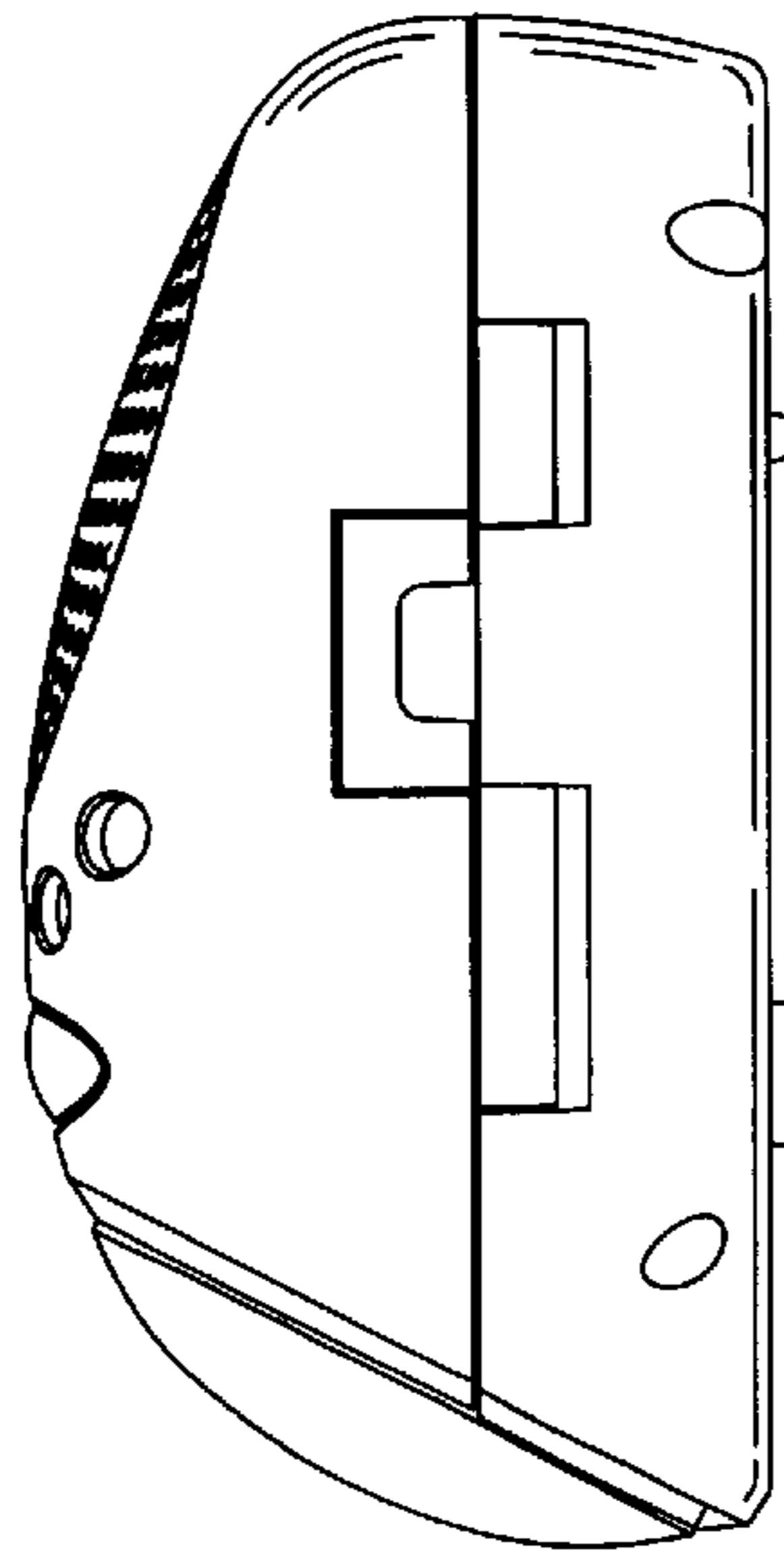


Fig. 3

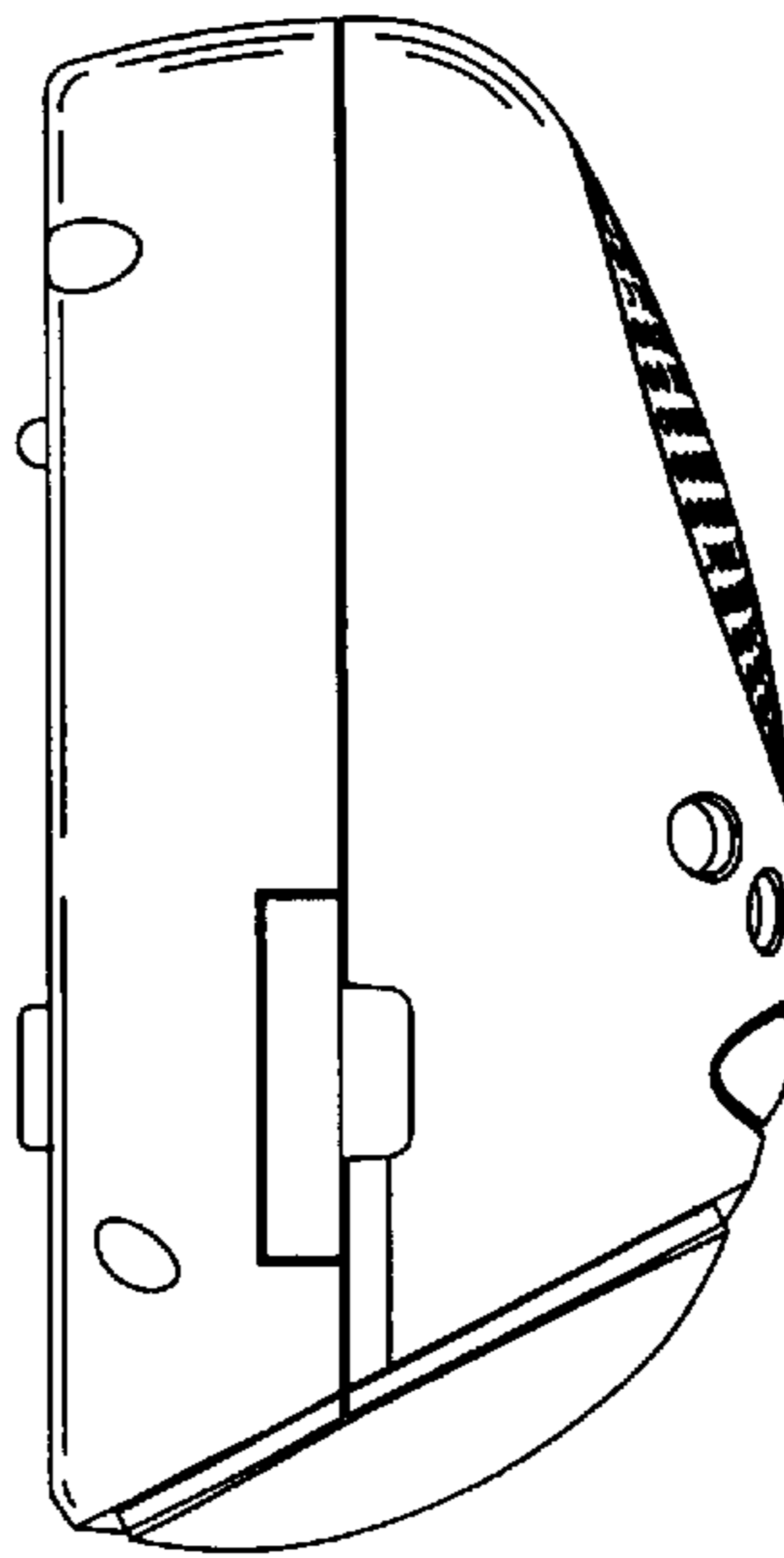


Fig. 4

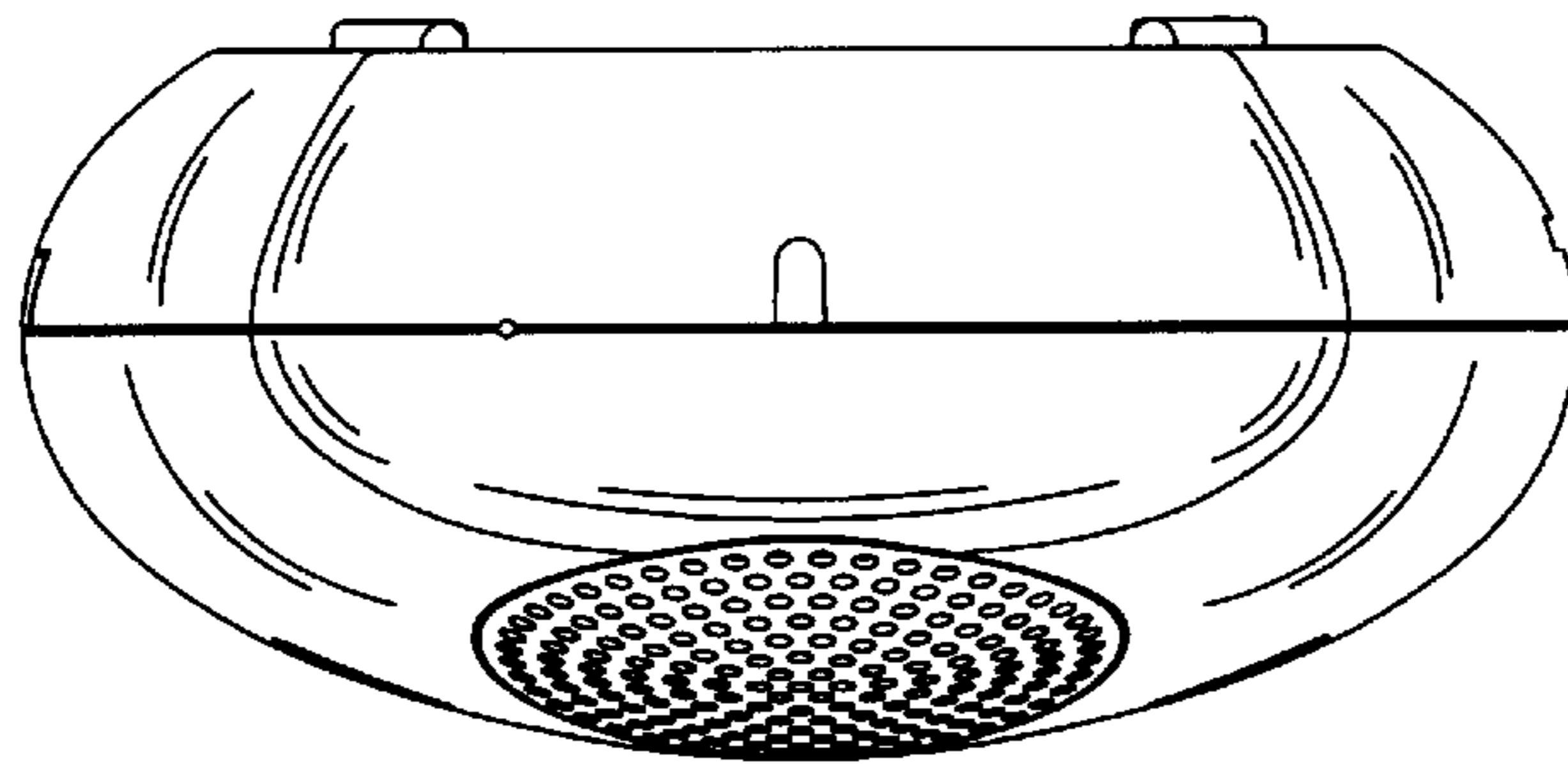


Fig. 5

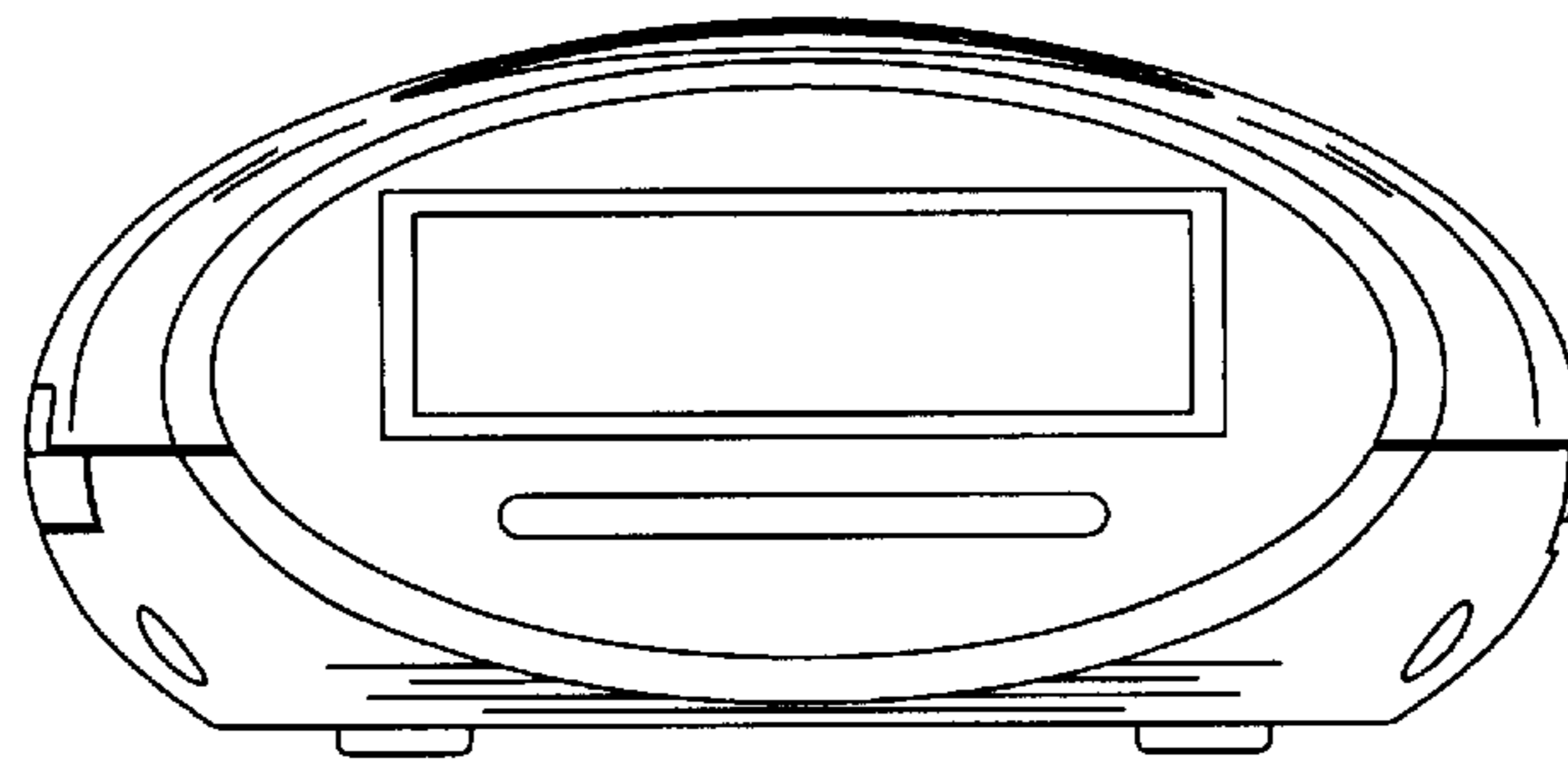


Fig. 6

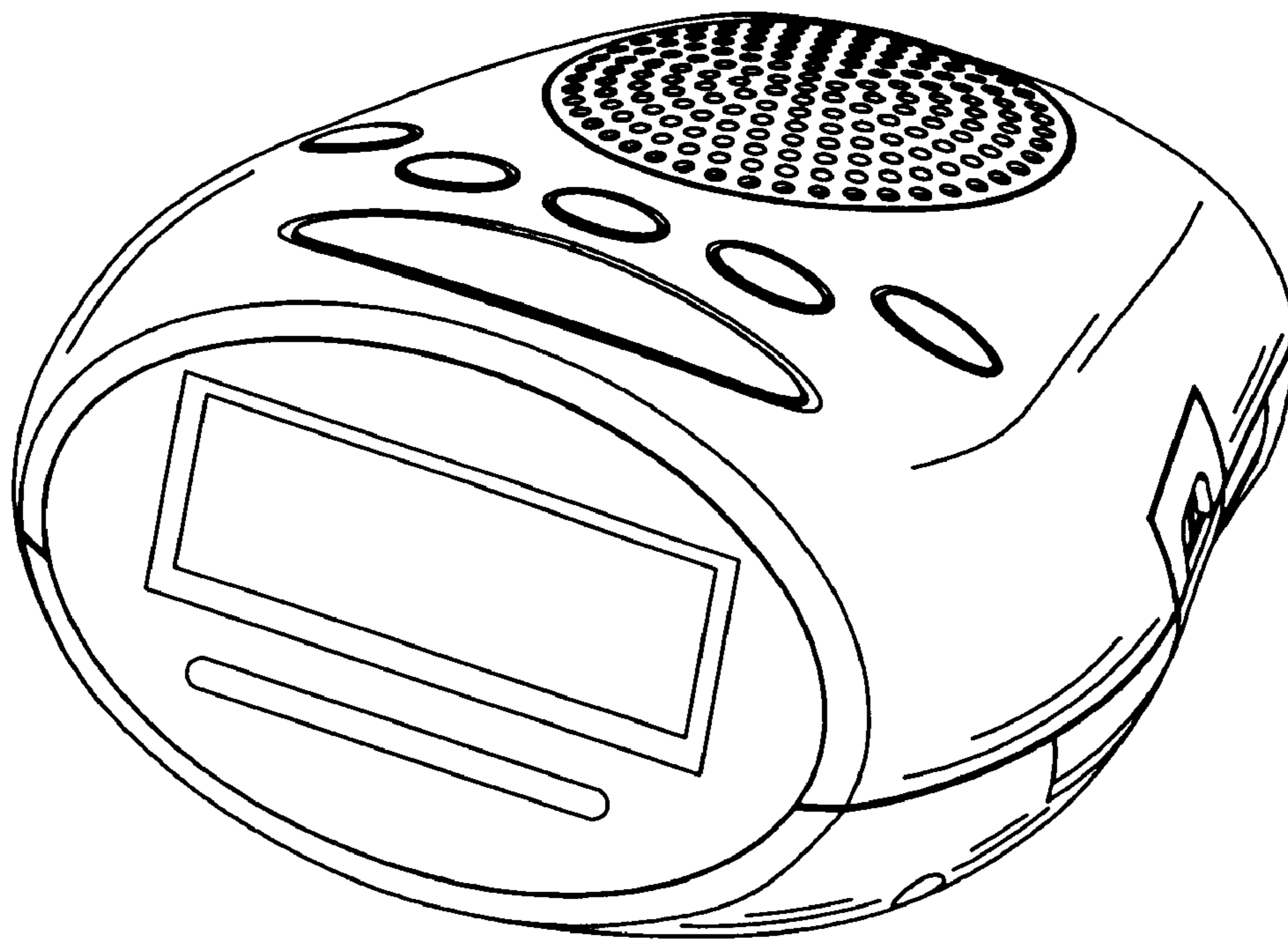


Fig. 7