

US00D499712S

(12) **United States Design Patent**
Abe et al.

(10) **Patent No.:** **US D499,712 S**
(45) **Date of Patent:** **** Dec. 14, 2004**

(54) **TELEPHONE SET**

(75) Inventors: **Takashi Abe**, Chiba (JP); **Hiroyuki Ariga**, Kokubunji (JP)

(73) Assignee: **Kabushiki Kaisha Toshiba** (JP)

(**) Term: **14 Years**

(21) Appl. No.: **29/195,805**

(22) Filed: **Dec. 18, 2003**

(30) **Foreign Application Priority Data**

Sep. 30, 2003 (JP) 2003-028657

(51) **LOC (7) Cl.** **14-03**

(52) **U.S. Cl.** **D14/151**

(58) **Field of Search** D14/130, 148,
D14/147, 149-151, 143, 329, 330, 140-142,
144, 240, 241, 243, 170, 171, 159; 379/440,
454, 446, 419, 420.01-420.04, 428.01-428.04,
434-436; 320/110, 113-115; 455/550.1-90.3;
D21/517; D13/107, 108

(56) **References Cited**

U.S. PATENT DOCUMENTS

- D267,873 S * 2/1983 Brown et al. D14/151
- D287,585 S * 1/1987 Brown et al. D14/151
- D288,810 S * 3/1987 Ando D14/151
- D298,939 S * 12/1988 Morikawa et al. D14/151
- D303,386 S * 9/1989 Iino D14/142
- D307,009 S * 4/1990 Boykiw D14/151
- D311,191 S 10/1990 Ando
- D311,399 S * 10/1990 Ando D14/151
- D313,235 S * 12/1990 Kido et al. D14/151
- D319,054 S * 8/1991 Appleby D14/151
- D320,797 S * 10/1991 Kido et al. D14/151
- D321,875 S * 11/1991 Ando D14/151
- 5,121,427 A * 6/1992 Gumb et al. 379/435
- D328,295 S * 7/1992 Gagnon et al. D14/142
- D330,028 S * 10/1992 Gagnon et al. D14/151
- D342,252 S * 12/1993 Akatsu et al. D14/151

- D345,557 S * 3/1994 Akatsu et al. D14/151
- D374,667 S * 10/1996 Elkins et al. D14/151
- D389,145 S 1/1998 Yoneyama
- D395,308 S 6/1998 Yoneyama
- D406,842 S * 3/1999 Zeitman D14/151
- D412,171 S * 7/1999 Girardi et al. D14/151
- 6,038,311 A * 3/2000 Nitobe et al. 379/428.03
- D426,822 S * 6/2000 Jauregui et al. D14/151
- D449,287 S * 10/2001 Jauregui et al. D14/151
- D460,954 S * 7/2002 Shen et al. D14/151
- D463,390 S * 9/2002 Shen et al. D14/151
- D471,171 S 3/2003 Yamanouchi et al.
- D471,527 S * 3/2003 Yamanouchi et al. D14/151
- D490,795 S * 6/2004 Watanabe et al. D14/151

FOREIGN PATENT DOCUMENTS

JP	0862644	3/1993
TW	403566	8/2000

OTHER PUBLICATIONS

Fujitsu Catalog of a Telephone Set, p. 9, (D-Station12B), Nov. 28, 2002.

* cited by examiner

Primary Examiner—Jeffrey Asch

(74) *Attorney, Agent, or Firm*—Banner & Witcoff, Ltd.

(57) **CLAIM**

The ornamental design for a telephone set, as shown and described.

DESCRIPTION

FIG. 1 is a front, top and right side perspective view of a telephone set, showing our new design; FIG. 2 is a front elevational view thereof; FIG. 3 is a rear elevational view thereof; FIG. 4 is a top plan view thereof; FIG. 5 is a bottom plan view thereof; FIG. 6 is a right side elevational view thereof; and, FIG. 7 is a left side elevational view thereof.

1 Claim, 4 Drawing Sheets



FIG. 1

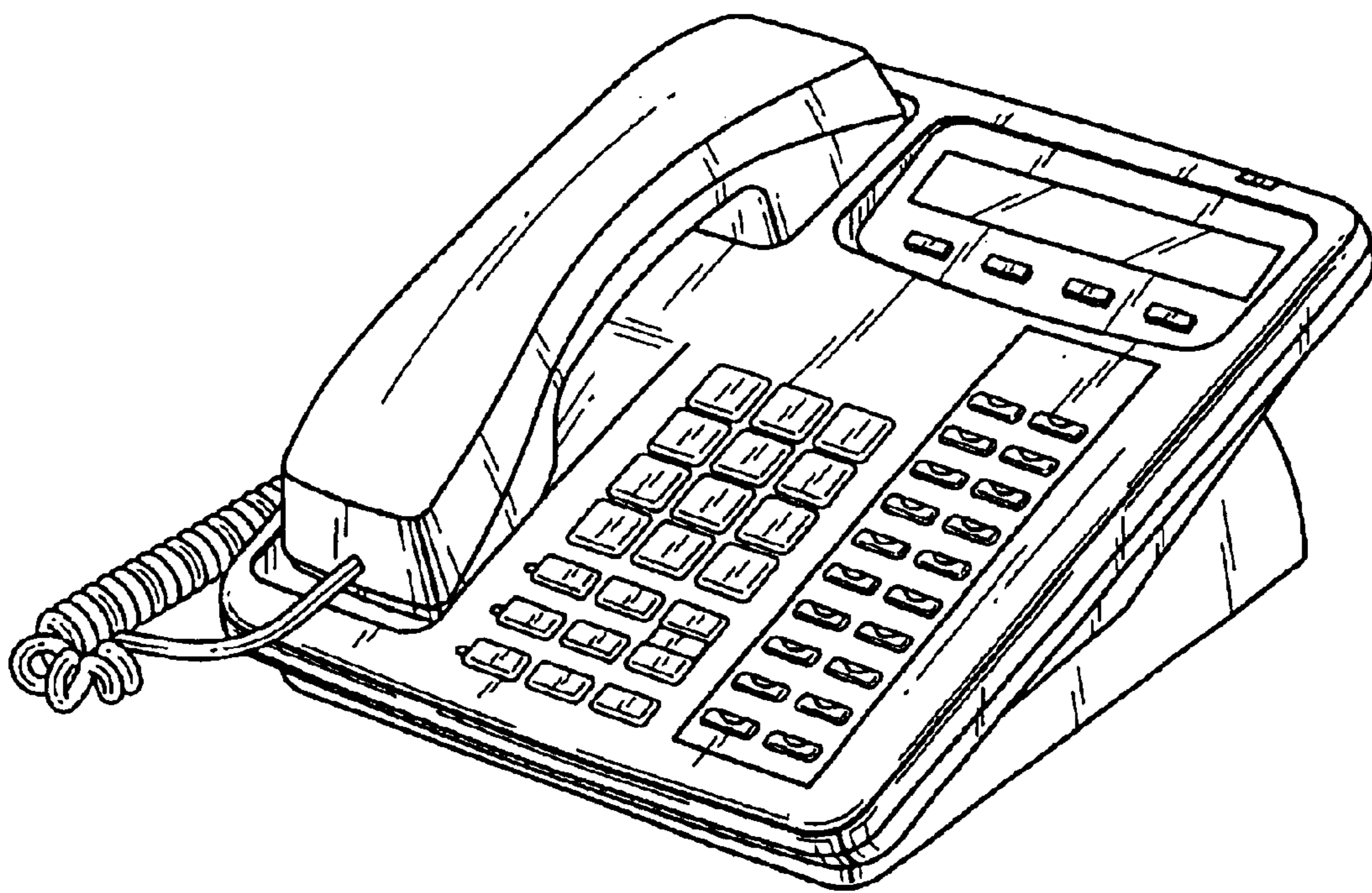


FIG. 2

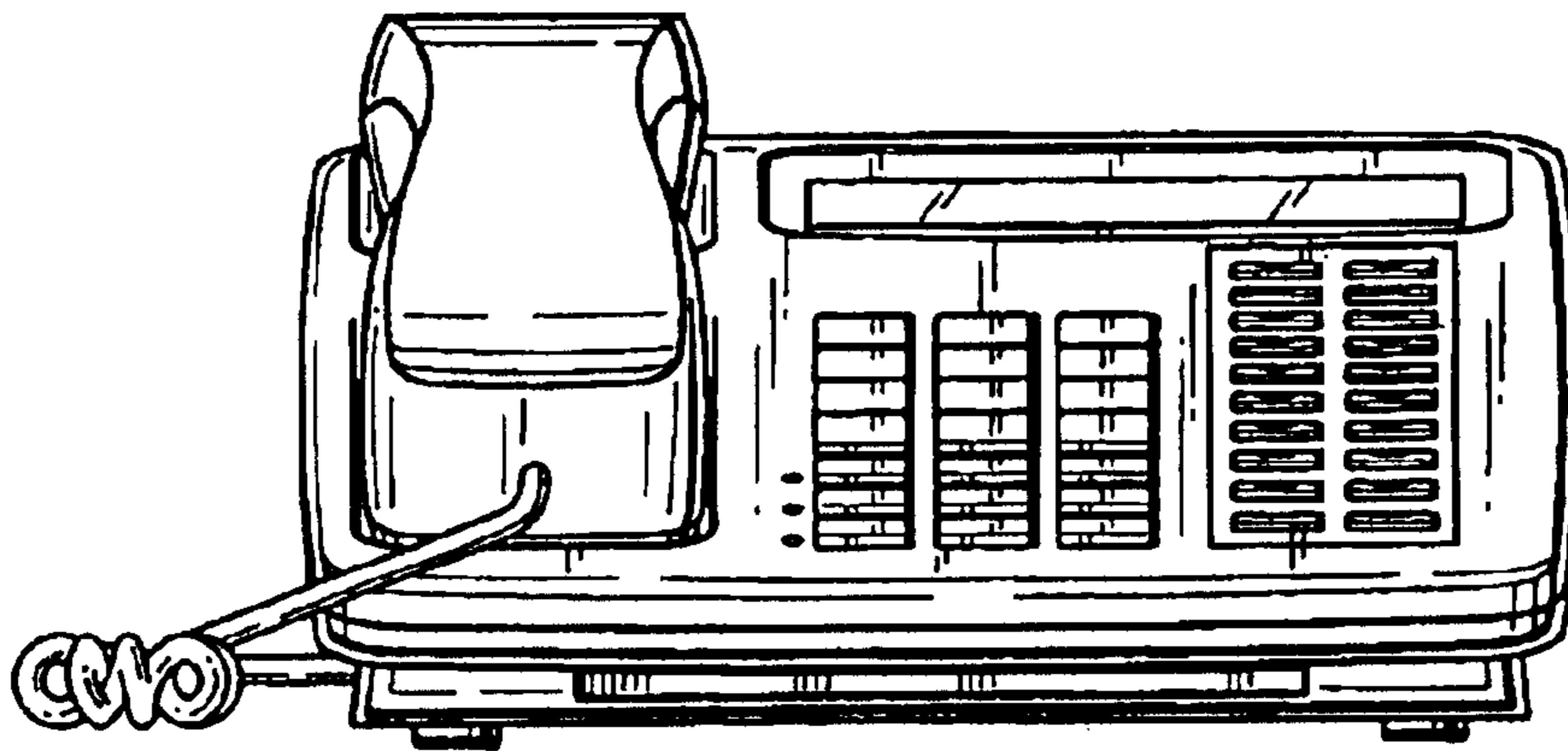


FIG. 3

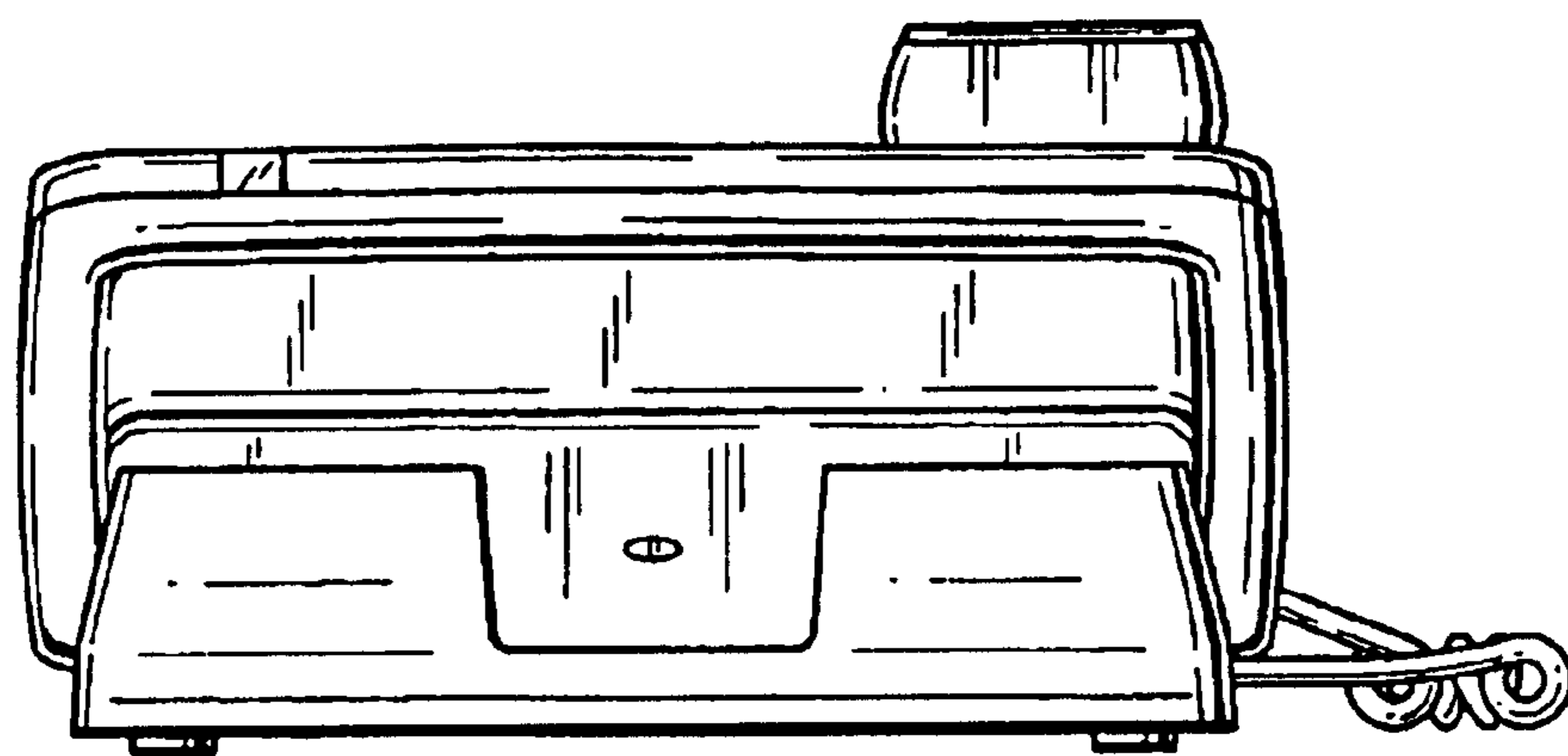


FIG. 4

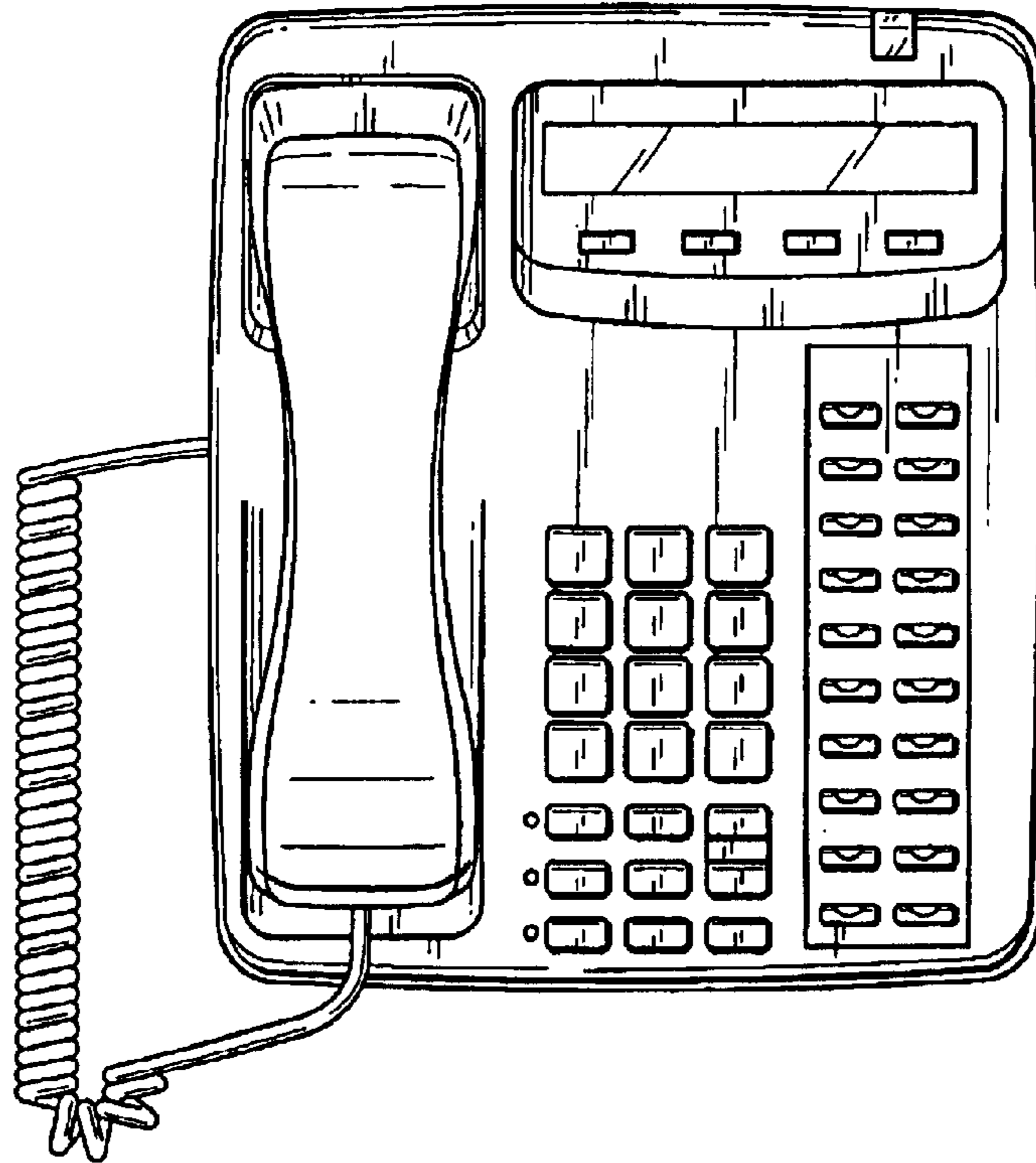


FIG. 5

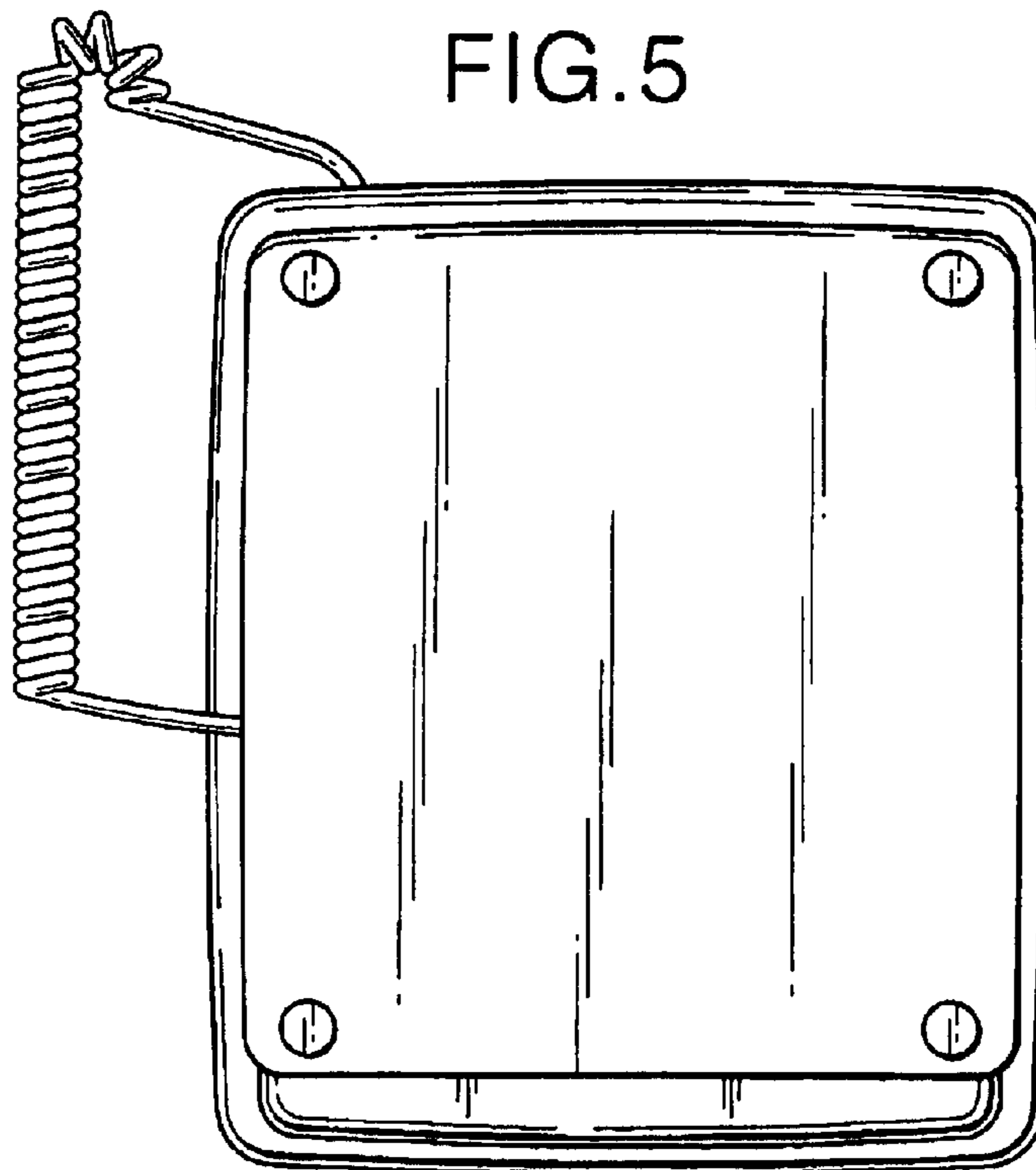


FIG. 6

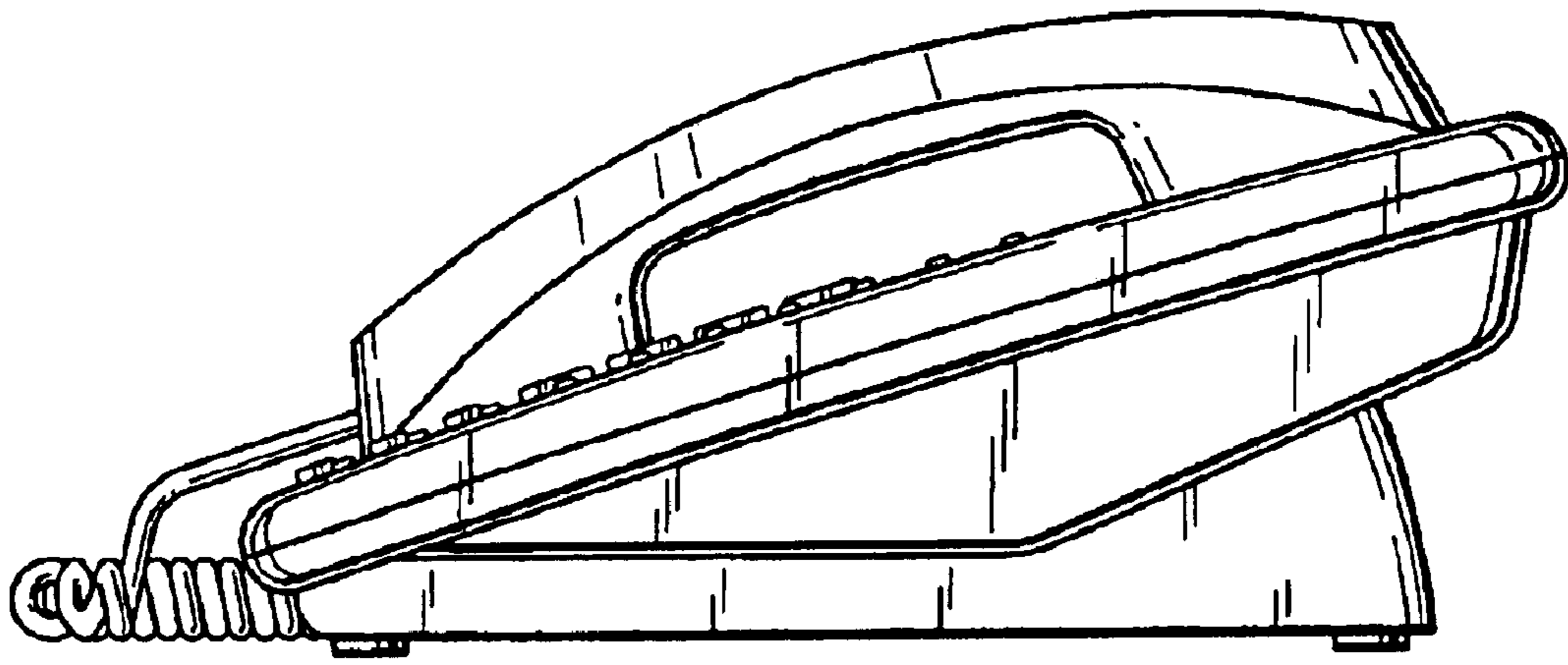


FIG. 7

