

US00D499704S

(12) **United States Design Patent**  
**Song**

(10) **Patent No.:** **US D499,704 S**

(45) **Date of Patent:** **\*\* Dec. 14, 2004**

(54) **VIDEO MONITOR**

D449,302 S \* 10/2001 Jung ..... D14/373  
D469,746 S \* 2/2003 Soule, Jr. .... D14/127

(75) Inventor: **Young G. Song**, Brea, CA (US)

\* cited by examiner

(73) Assignee: **DoubleSight Displays, LLC**, Fullerton, CA (US)

*Primary Examiner*—Raphael Barkai  
(74) *Attorney, Agent, or Firm*—Holland & Knight LLP

(\*\*) Term: **14 Years**

(57) **CLAIM**

(21) Appl. No.: **29/192,497**

The ornamental design for a video monitor, as shown and described.

(22) Filed: **Oct. 24, 2003**

**DESCRIPTION**

(51) **LOC (7) Cl.** ..... **14-03**

(52) **U.S. Cl.** ..... **D14/127**

(58) **Field of Search** ..... D14/125–136,  
D14/239, 371, 373, 306; D16/203, 221–233;  
312/7.2, 198, 231; 211/134; 248/917–924,  
122.1; 348/180, 184, 739, 13–17; 379/433–436,  
93.17

FIG. 1 is a perspective view of a monitor showing my new design;  
FIG. 2 is a front elevational view thereof;  
FIG. 3 is a rear elevational view thereof;  
FIG. 4 is a left-side elevational view thereof;  
FIG. 5 is a top plan view thereof;  
FIG. 6 is a bottom view thereof;  
FIG. 7 is a left-side elevational view showing the display member of the present design in a backwardly tilted position; and,  
FIG. 8 is a top plan view showing the display members of the present design rotating left and right sides.

(56) **References Cited**

**U.S. PATENT DOCUMENTS**

D337,103 S \* 7/1993 Harper ..... D14/373  
5,687,939 A \* 11/1997 Moscovitch ..... 248/122.1  
D395,041 S \* 6/1998 Leveridge et al. .... D14/373  
D395,298 S \* 6/1998 Rosen ..... D14/127

**1 Claim, 3 Drawing Sheets**

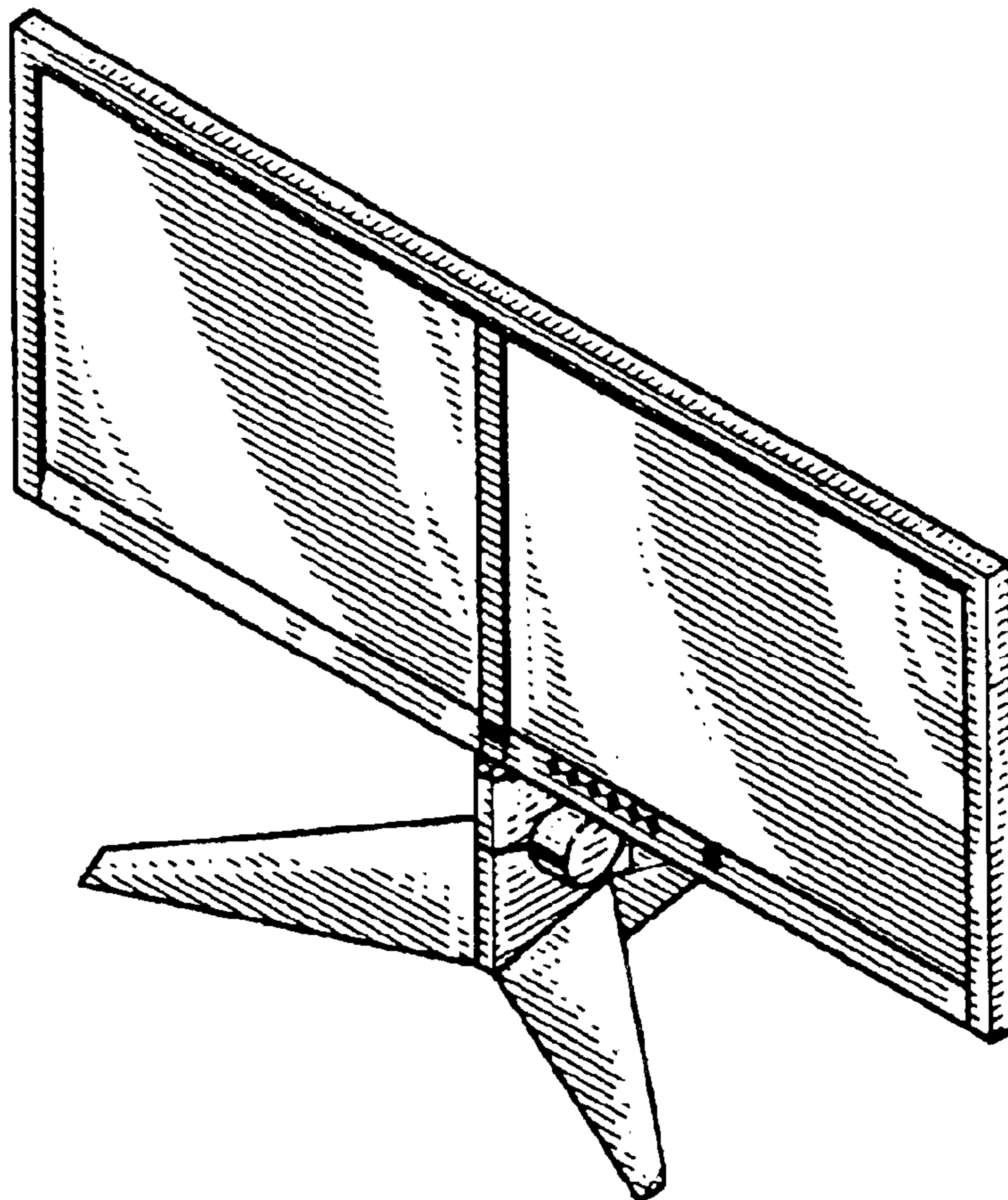


Figure 1

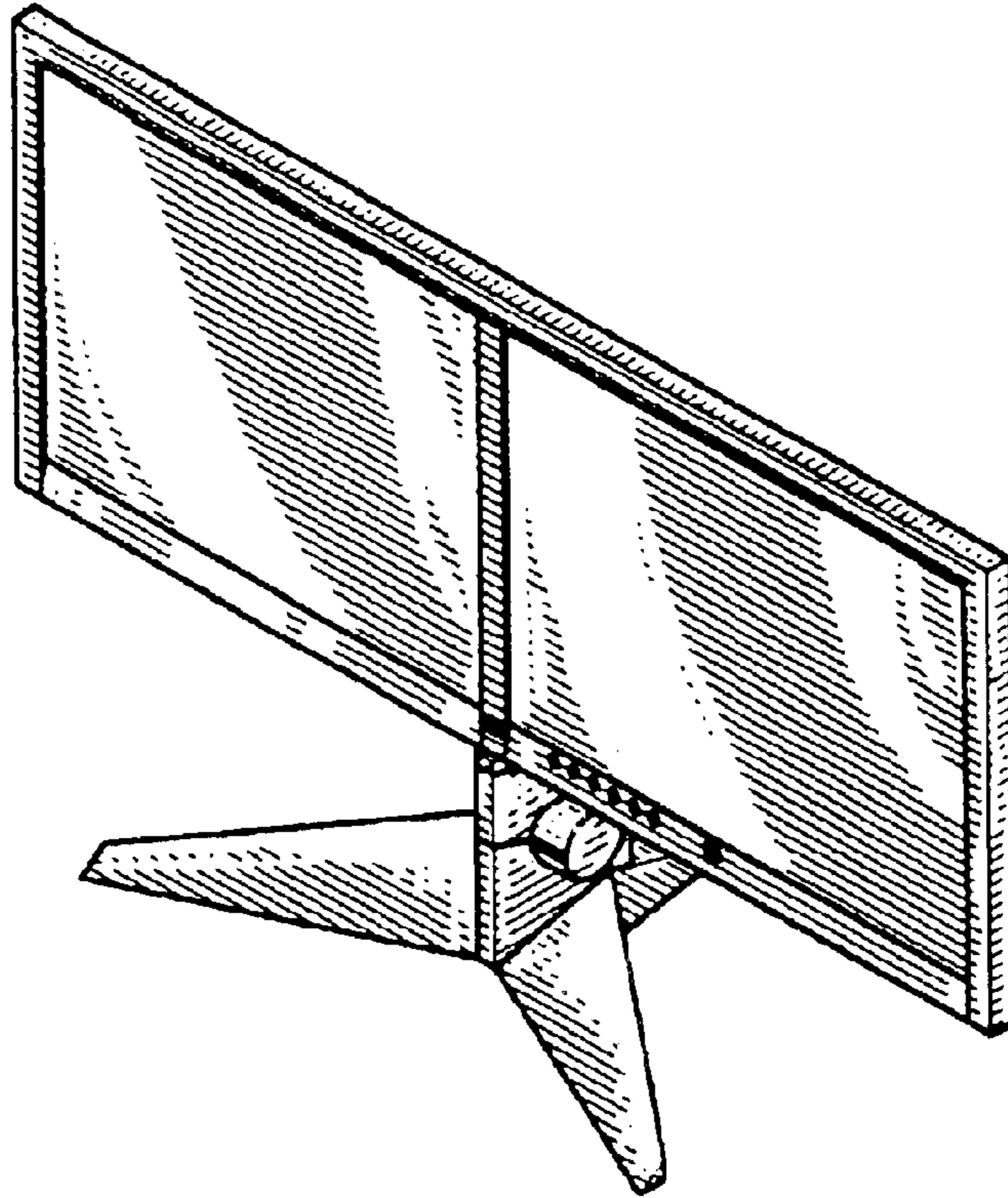


Figure 2

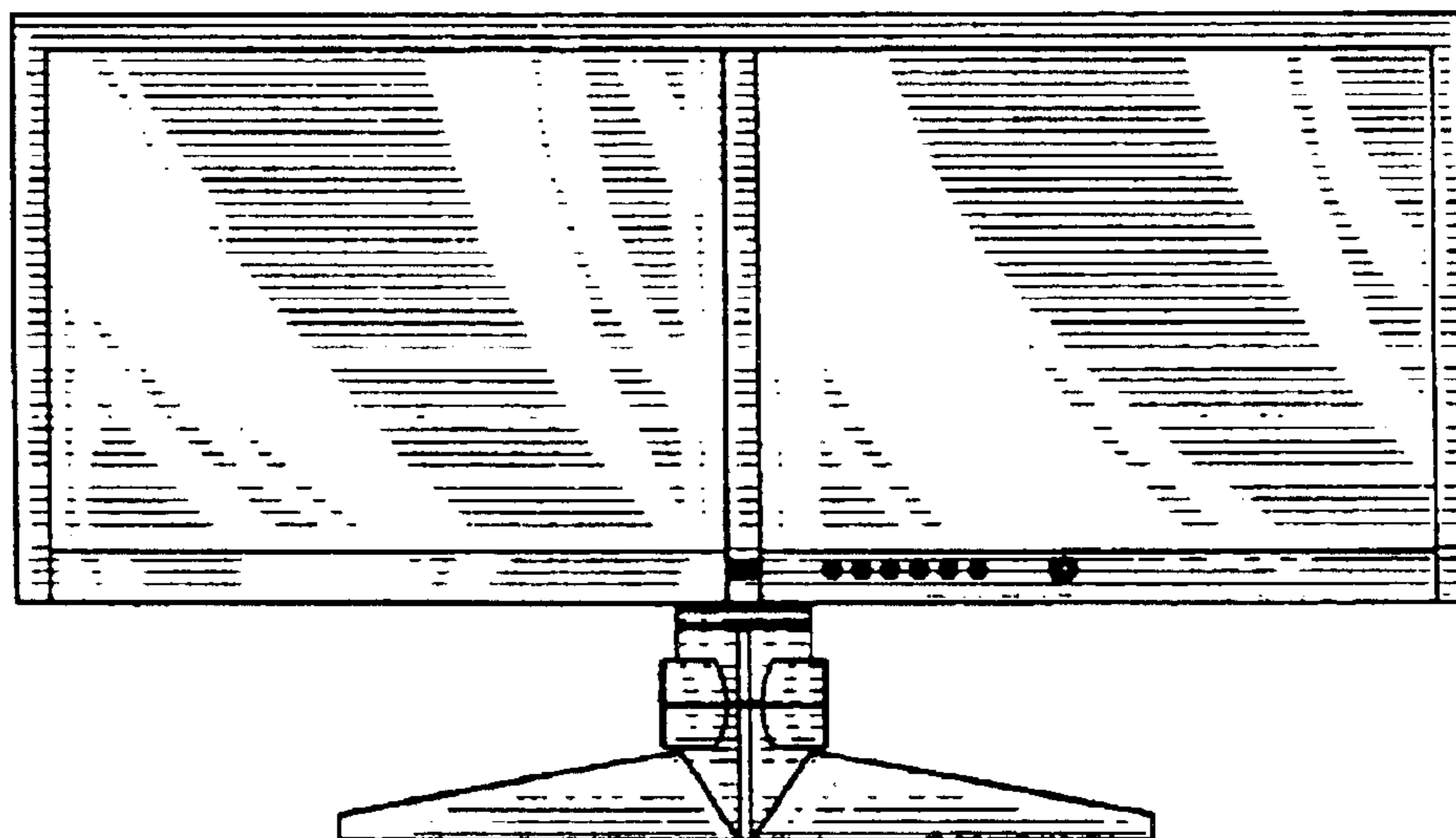


Figure 3

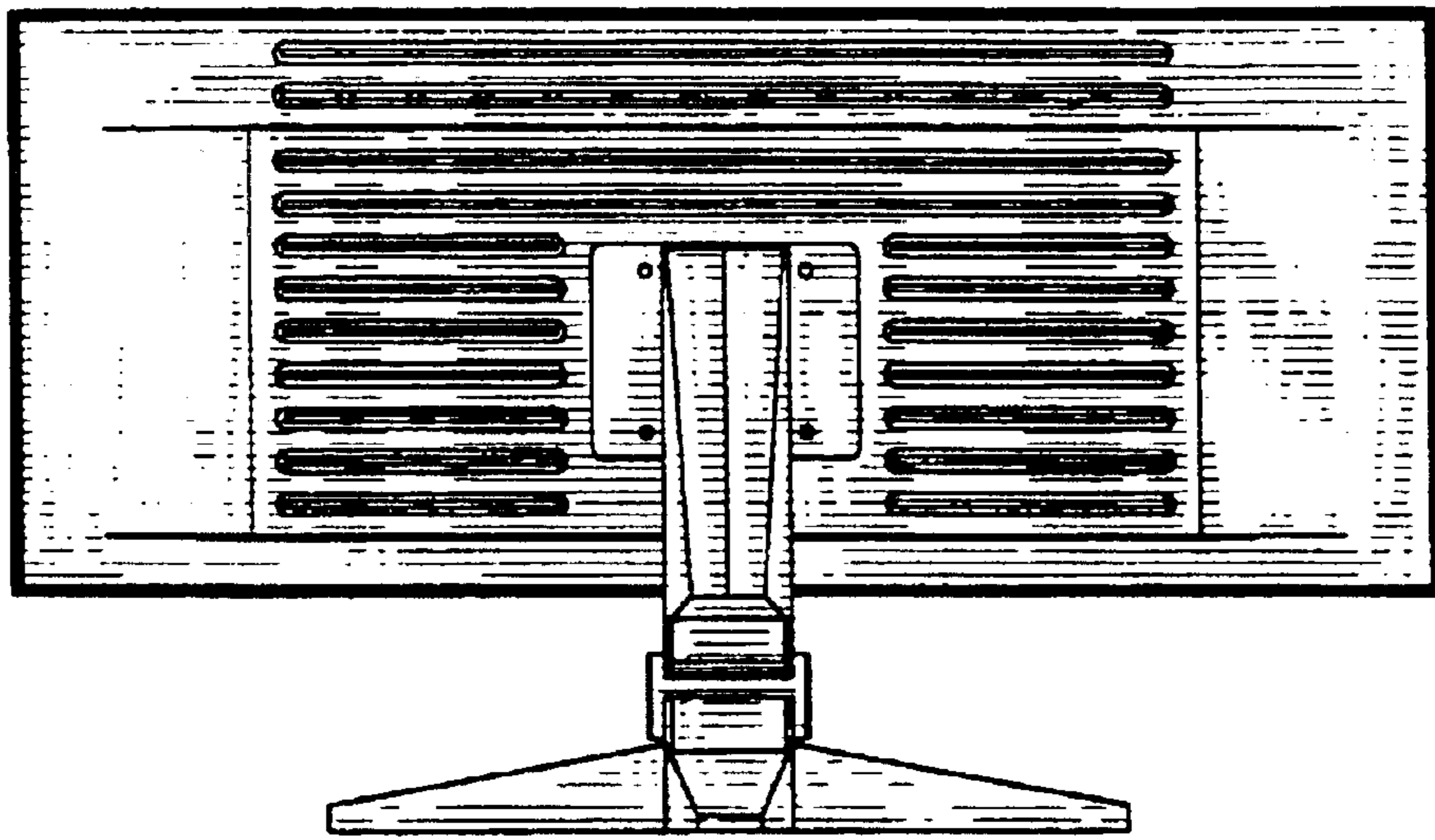


Figure 4

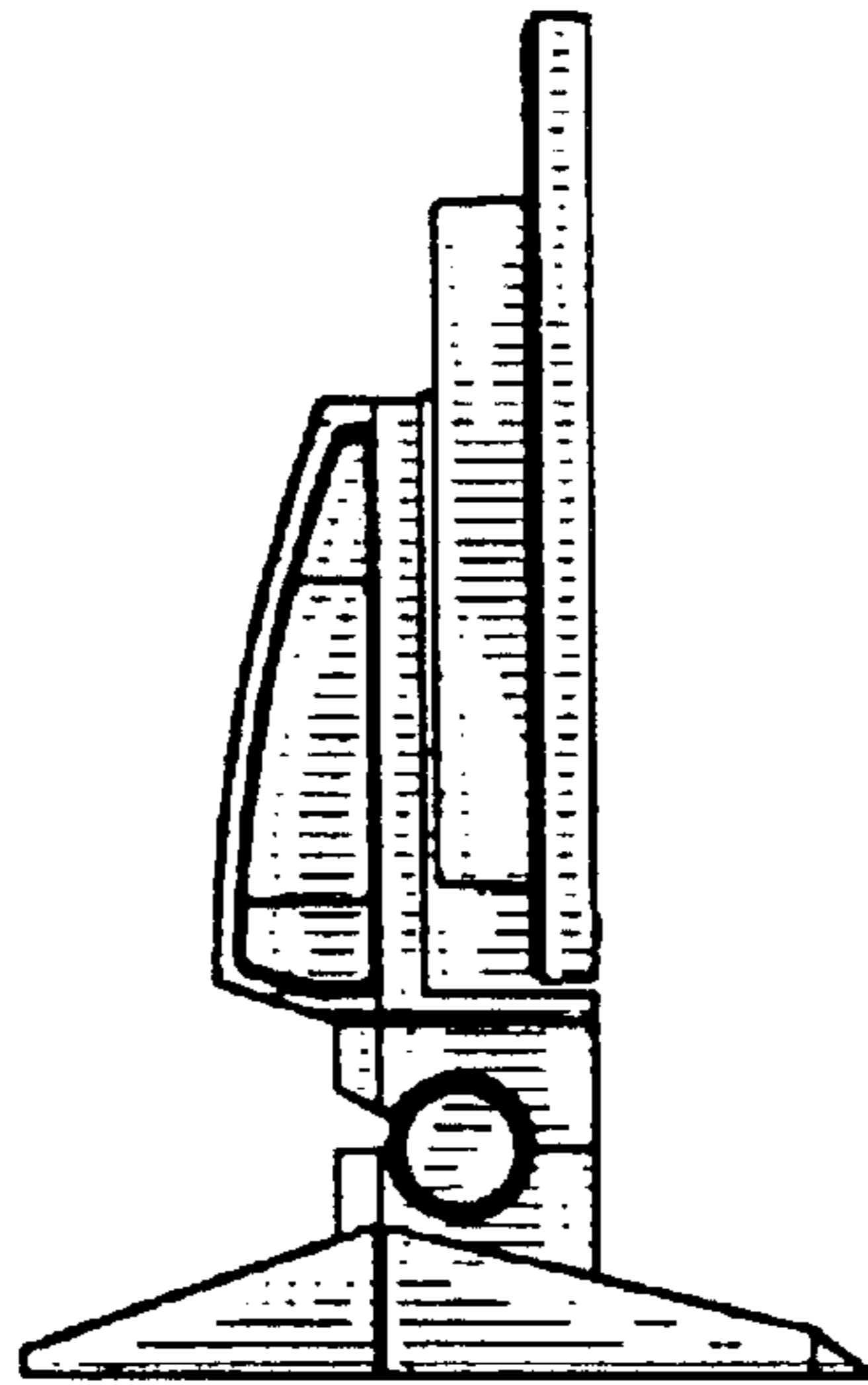


Figure 5

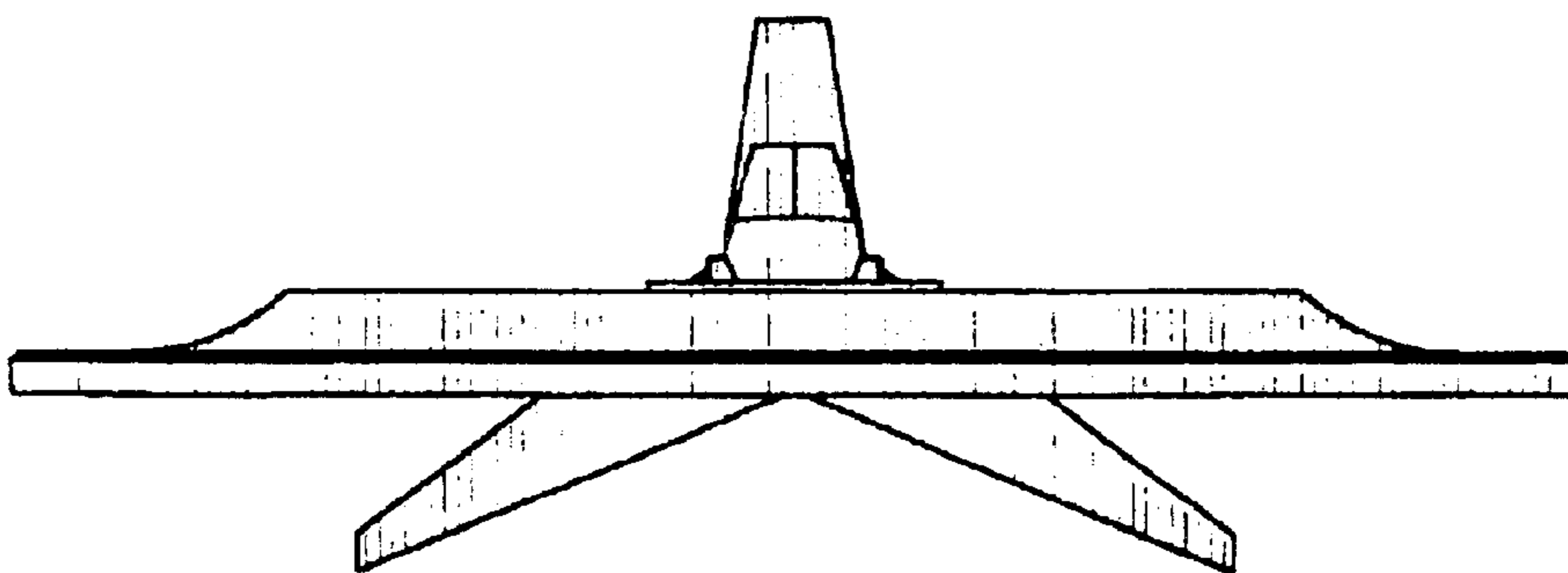


Figure 6

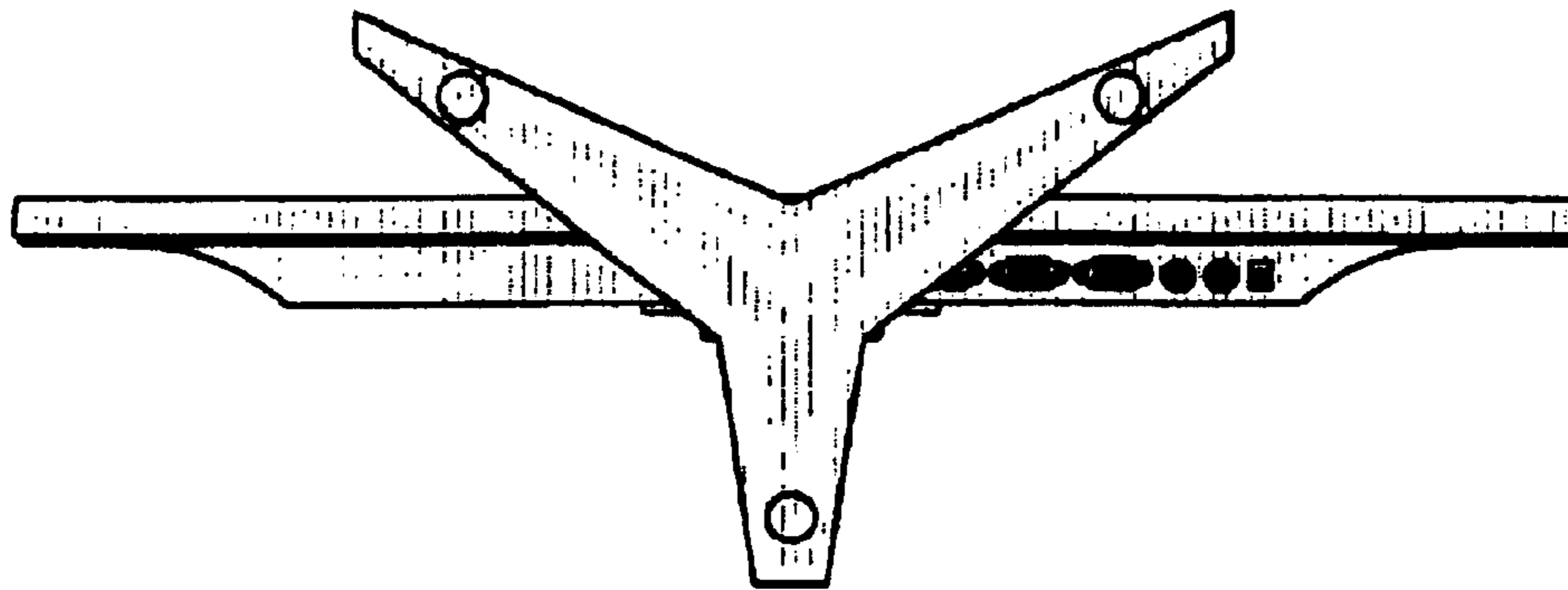


Figure 7

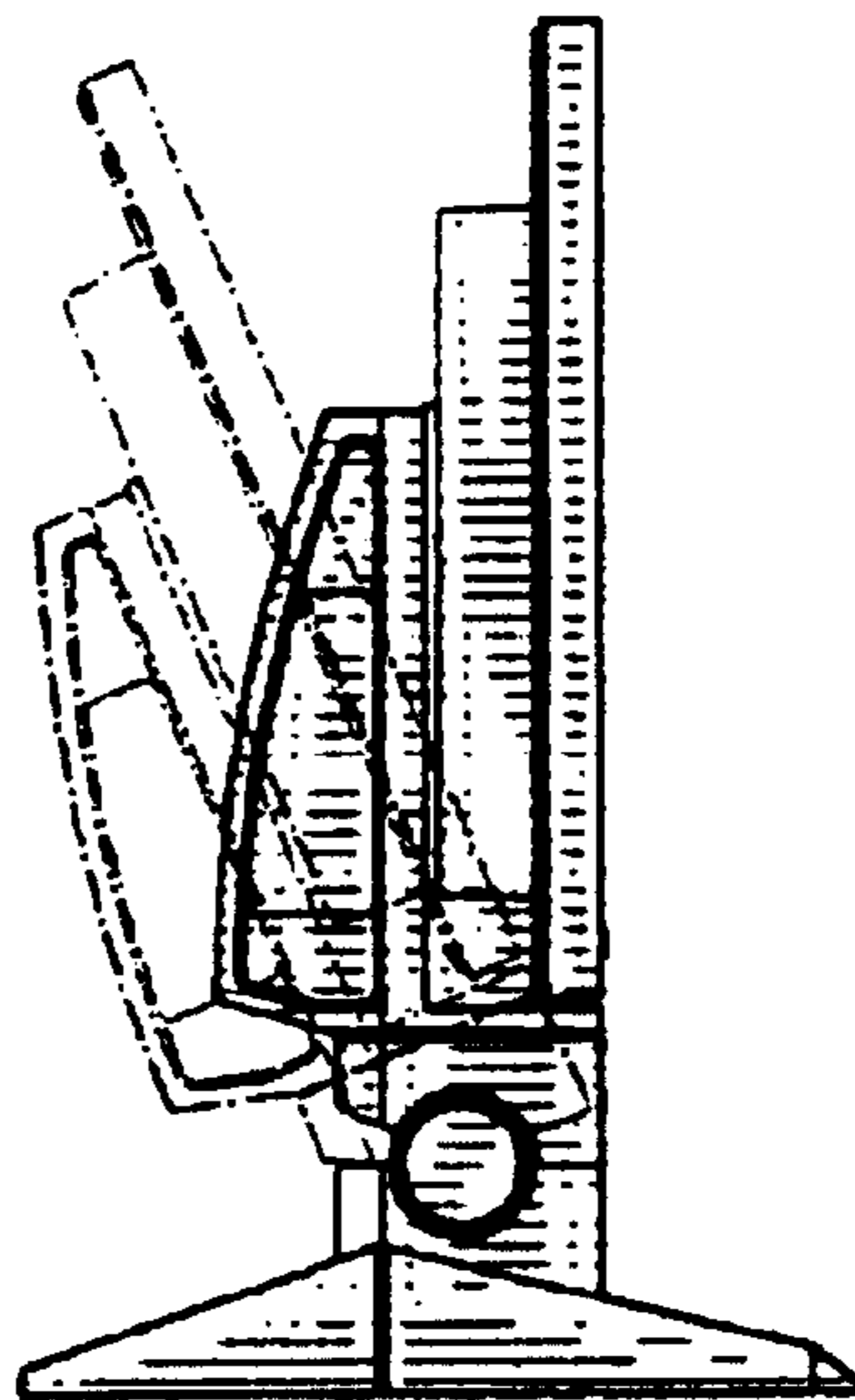


Figure 8

