

US00D499701S

(12) **United States Design Patent**  
**Kim**

(10) **Patent No.:** **US D499,701 S**

(45) **Date of Patent:** **\*\* Dec. 14, 2004**

(54) **BREAKER FOR ELECTRIC RAILROAD LINE**

(75) **Inventor:** **Han Byul Kim**, Cheongju (KR)

(73) **Assignee:** **LG Industrial Systems Co., Ltd.**, Seoul (KR)

(\*\*) **Term:** **14 Years**

(21) **Appl. No.:** **29/180,025**

(22) **Filed:** **Apr. 18, 2003**

(30) **Foreign Application Priority Data**

Nov. 29, 2002 (KR) ..... 30-2002-0034275

(51) **LOC (7) Cl.** ..... **13-03**

(52) **U.S. Cl.** ..... **D13/160**

(58) **Field of Search** ..... D13/137.3, 159, D13/160, 162.1, 178; 200/17 R, 50.26, 144 R, 147 R, 244, 304, 307, 318, 400, 401, 552; 218/157; 335/13, 16, 20, 35, 172, 167, 202; 361/93.3, 115, 173, 652, 673

(56) **References Cited**

**U.S. PATENT DOCUMENTS**

- D319,627 S \* 9/1991 Smith et al. .... D13/160
- D320,386 S \* 10/1991 Saunders et al. .... D13/160
- 5,120,921 A \* 6/1992 DiMarco et al. .... 200/401

- 5,302,788 A \* 4/1994 Link et al. .... 200/401
- D367,265 S \* 2/1996 Yamagata et al. .... D13/160
- 5,608,367 A \* 3/1997 Zoller et al. .... 335/132
- 6,361,848 B1 \* 3/2002 Katsube et al. .... 428/70
- 6,396,370 B2 \* 5/2002 Leone et al. .... 335/35
- 6,479,774 B1 \* 11/2002 Castonguay et al. .... 200/401

\* cited by examiner

*Primary Examiner*—Stella Reid  
*Assistant Examiner*—Selina Sikder

(74) *Attorney, Agent, or Firm*—Birch, Stewart, Kolasch & Birch, LLP

(57) **CLAIM**

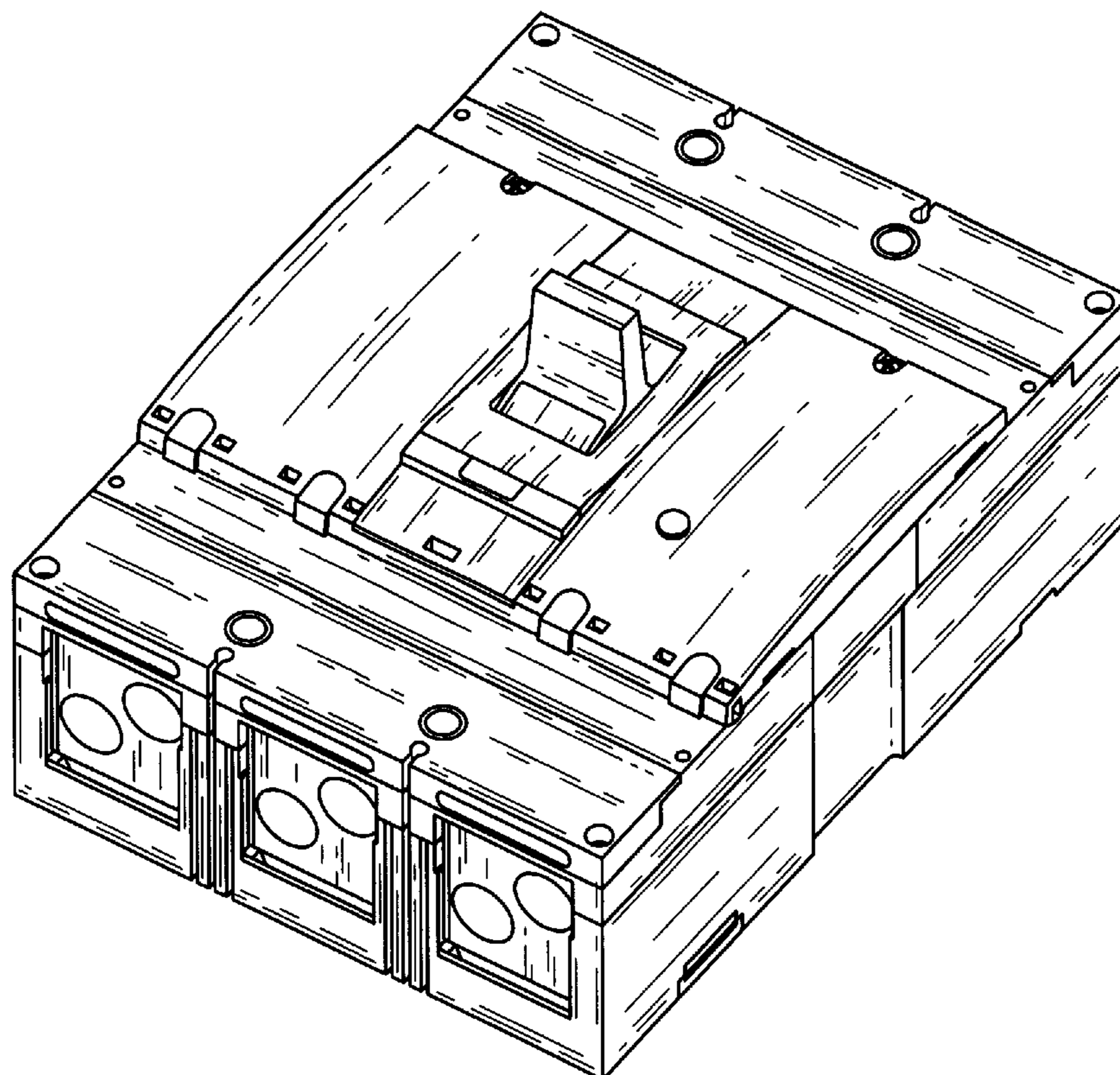
The ornamental design for a breaker for electric railroad line, as shown and described.

**DESCRIPTION**

FIG. 1 is a perspective view of a breaker for electric railroad line showing the new design;  
FIG. 2 is a front elevation view thereof;  
FIG. 3 is a rear elevation view thereof;  
FIG. 4 is a left-side elevation view thereof;  
FIG. 5 is a right-side elevation view thereof;  
FIG. 6 is a top plan view thereof; and,  
FIG. 7 is a bottom plan view thereof.

The broken line showing of the environment is for illustrative purposes only and forms no part of the claimed design.

**1 Claim, 4 Drawing Sheets**



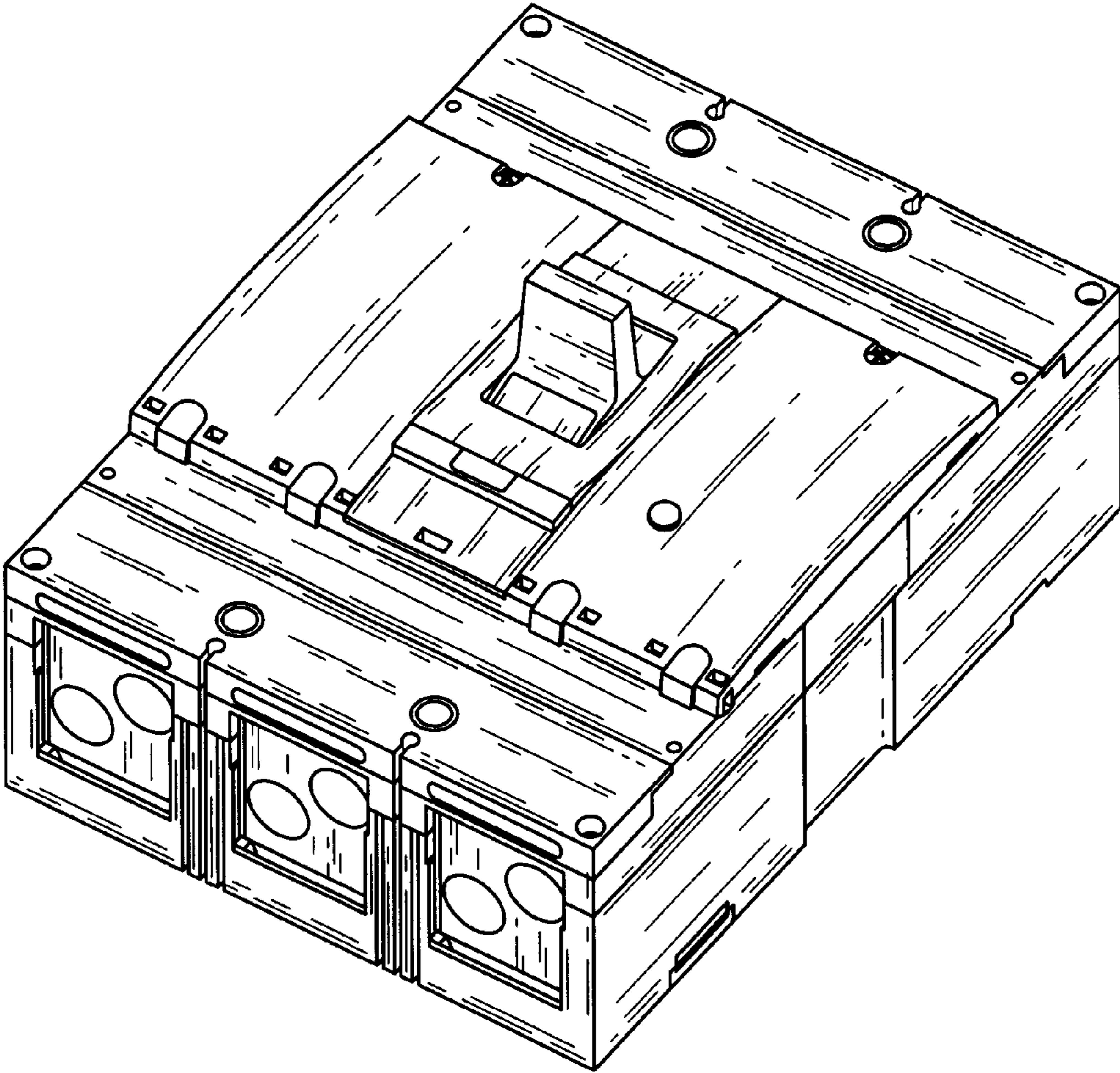


FIG.1

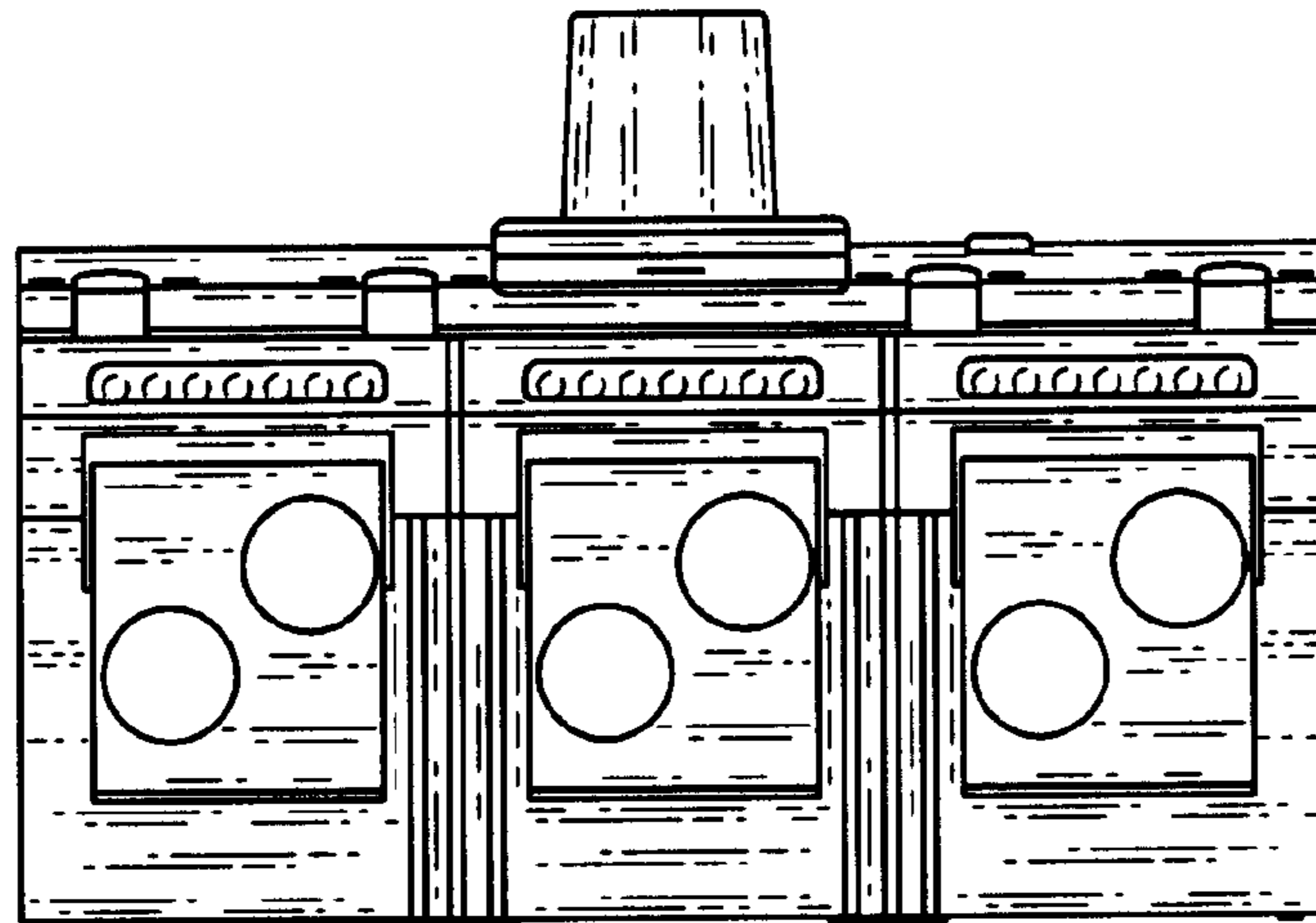


FIG. 2

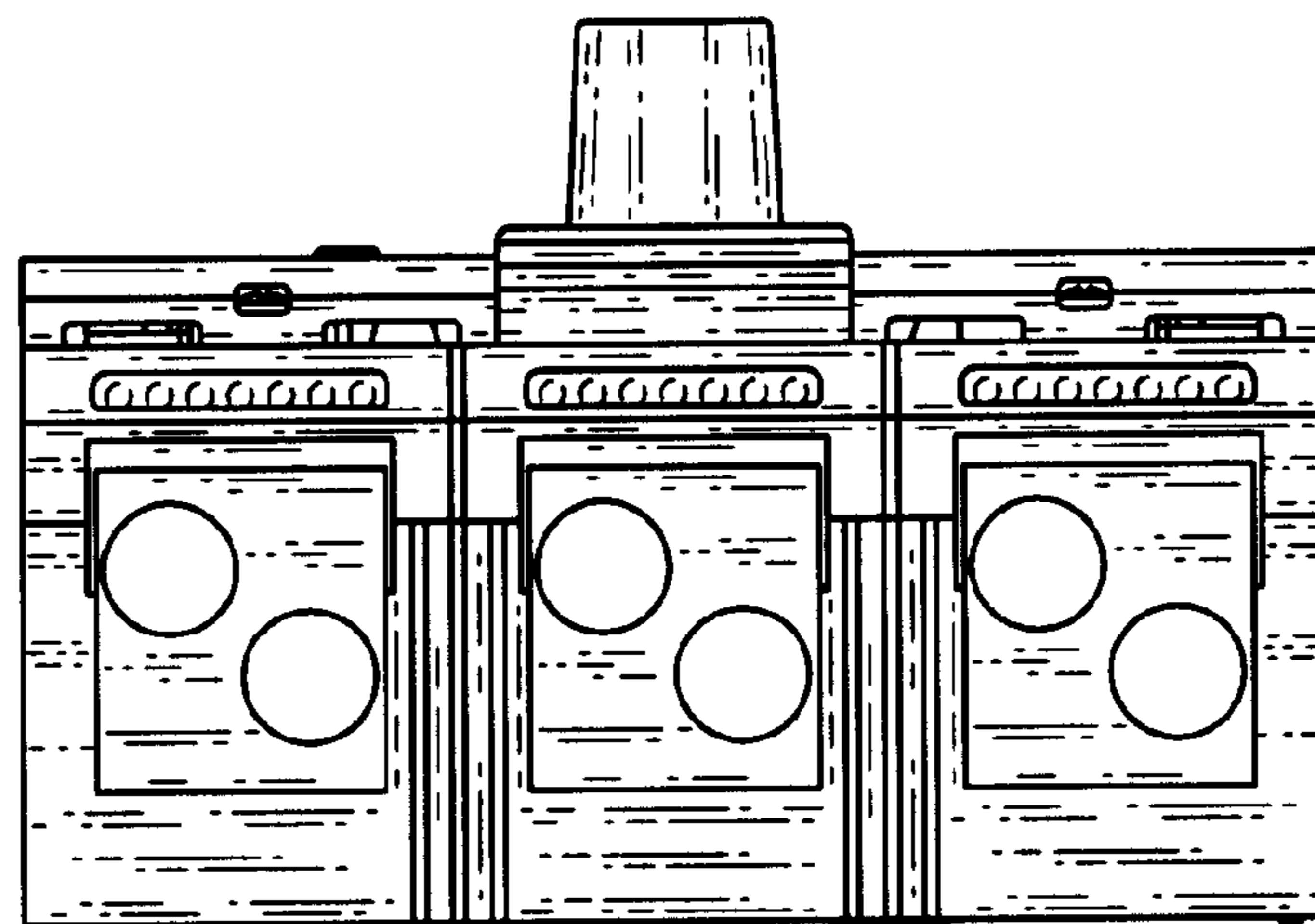


FIG. 3

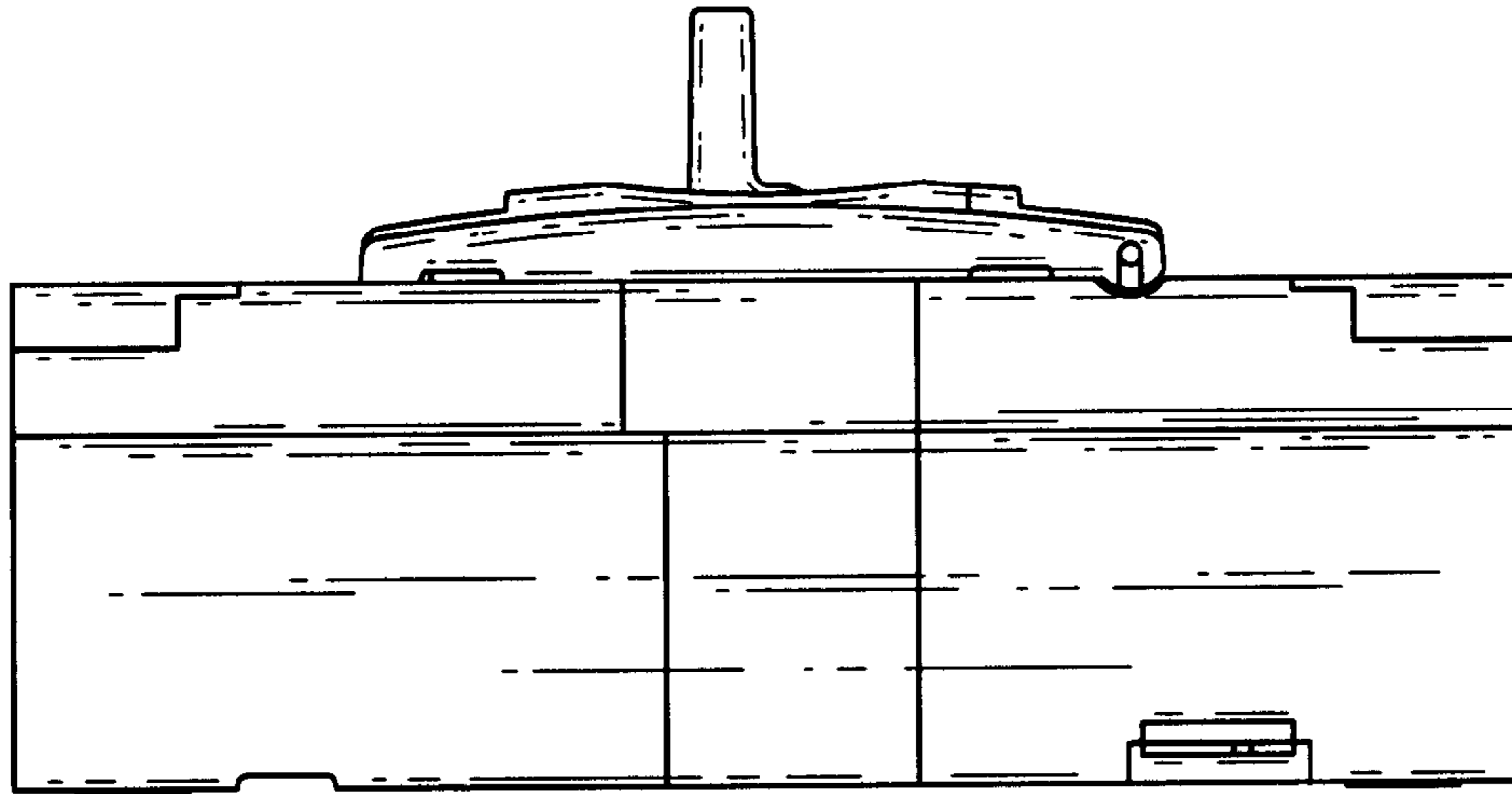


FIG. 4

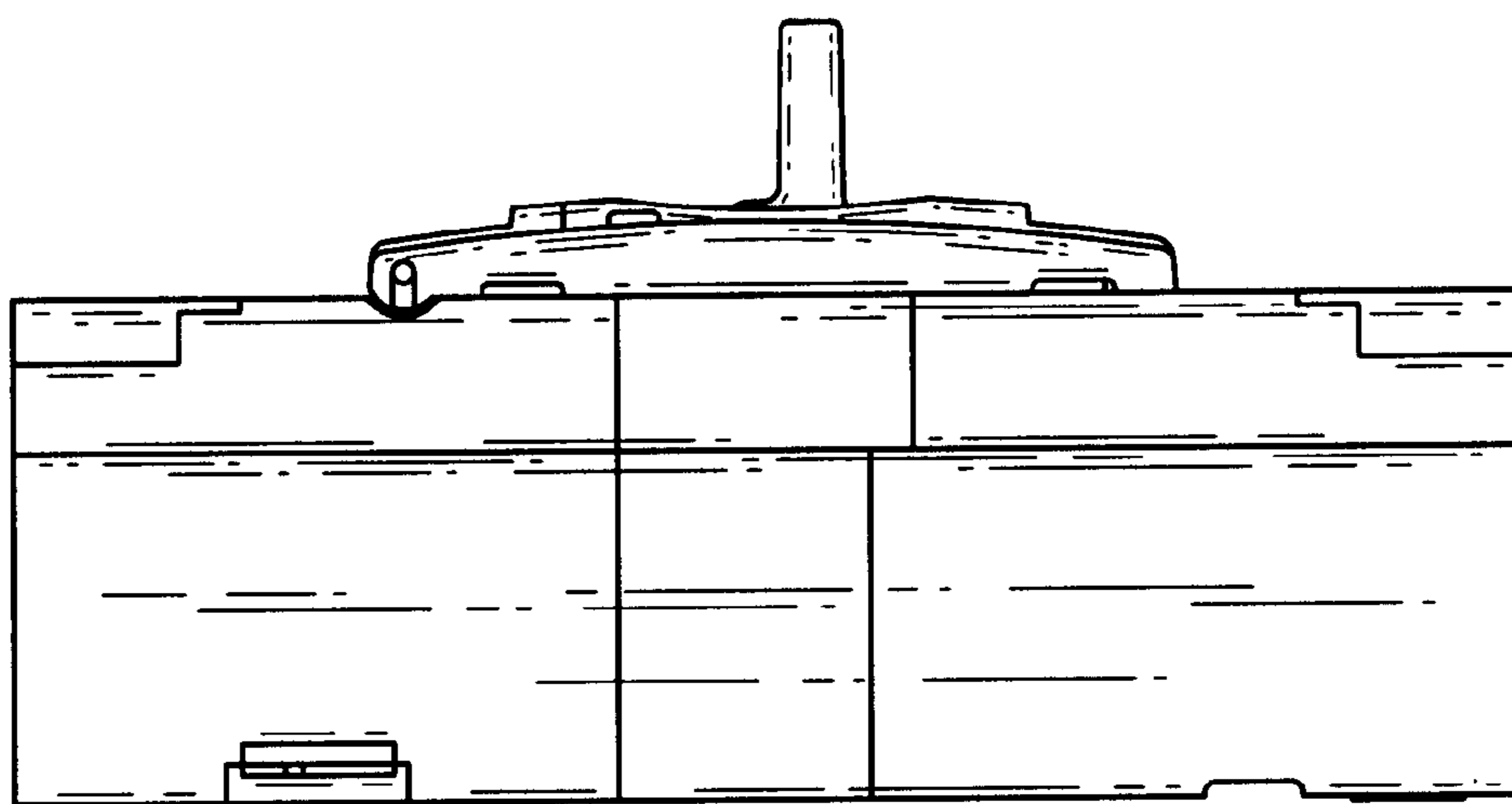


FIG. 5

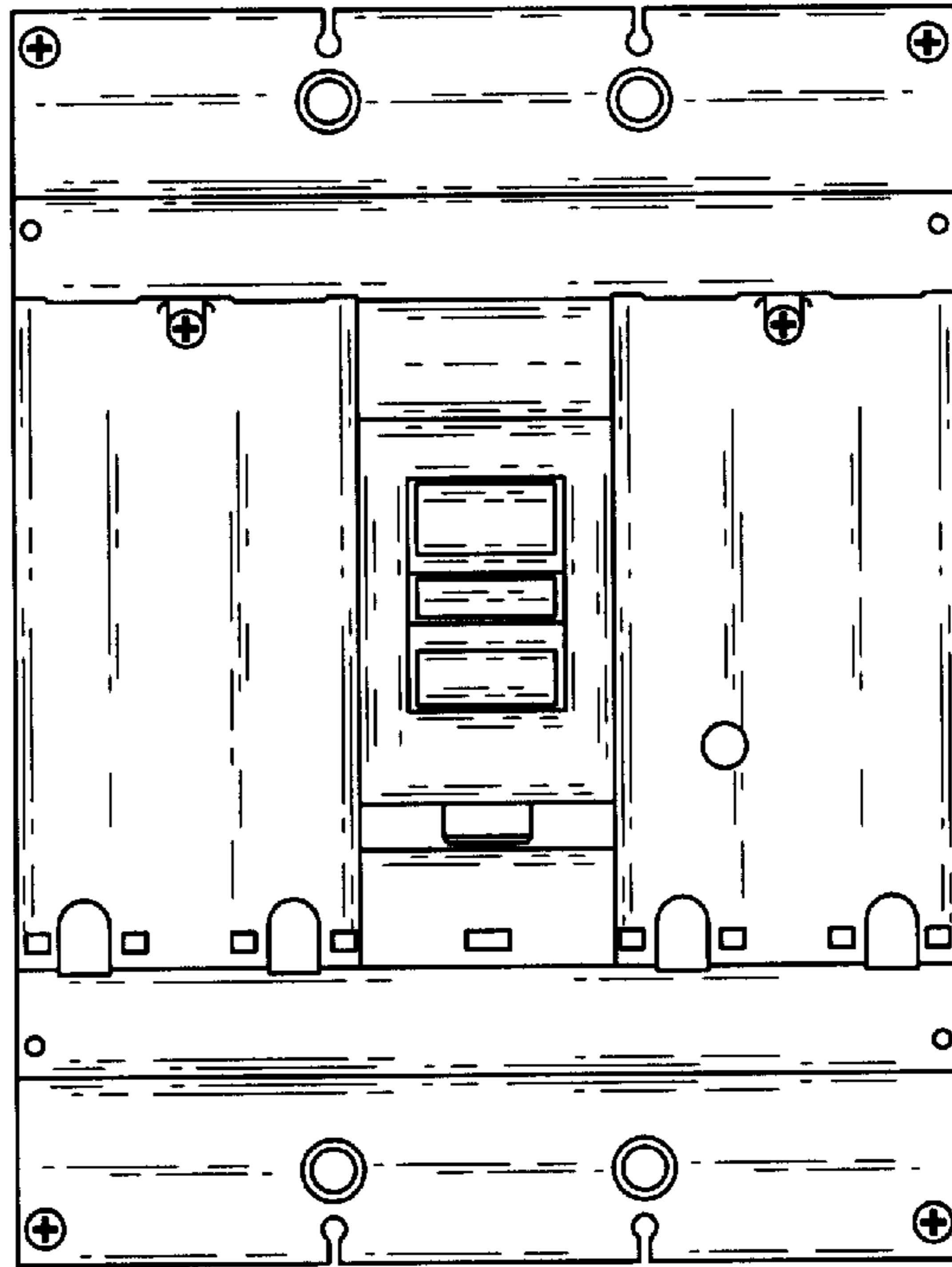


FIG. 6

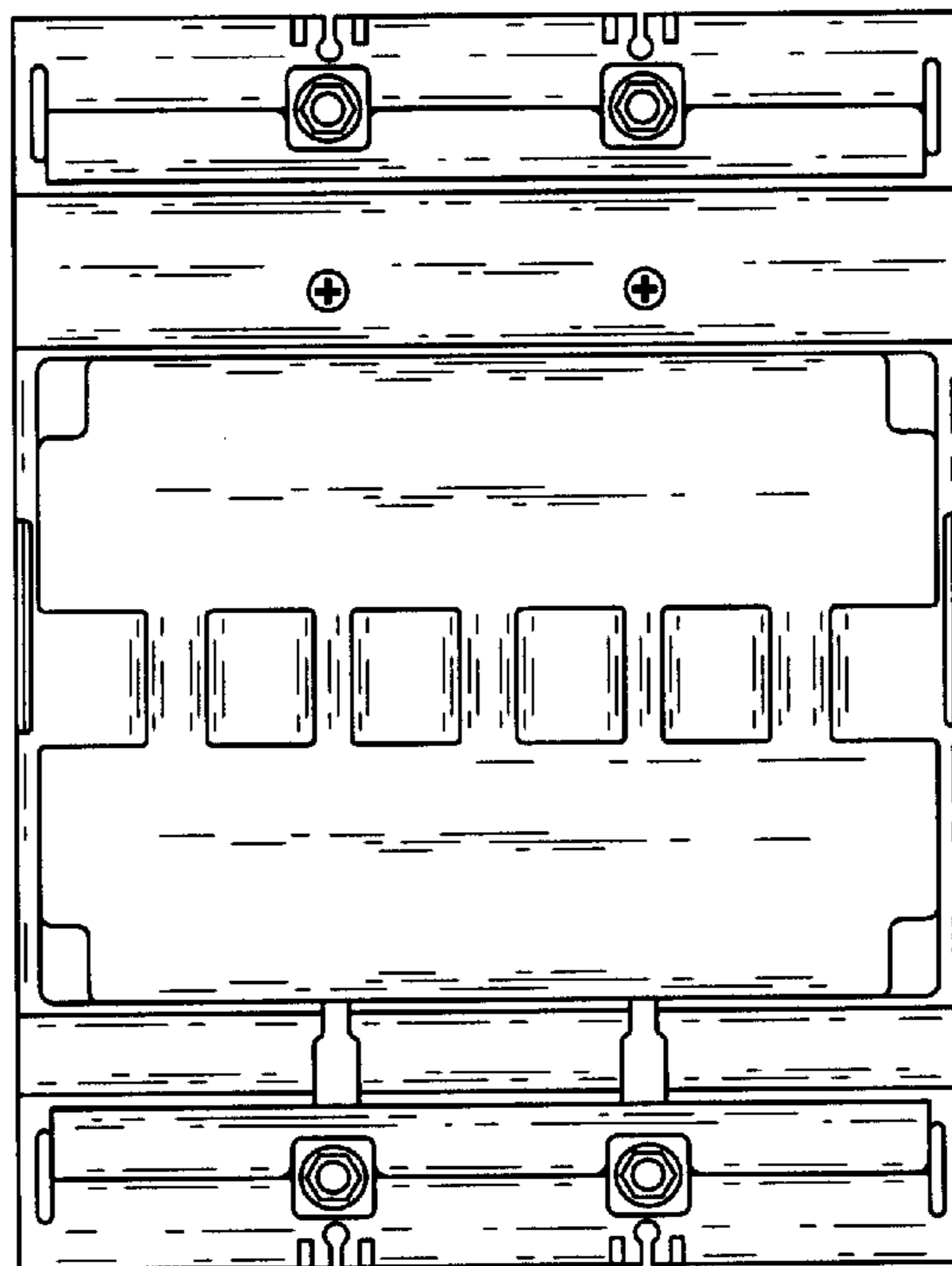


FIG. 7