

US00D499699S

(12) **United States Design Patent**  
**Thibault**

(10) **Patent No.: US D499,699 S**

(45) **Date of Patent: \*\* Dec. 14, 2004**

(54) **SURFACE MOUNTED ELECTRICAL CABLE WAY**

(75) **Inventor: Steven C. Thibault, Burlington, CT (US)**

(73) **Assignee: The Wiremold Company, West Hartford, CT (US)**

(\*\*) **Term: 14 Years**

(21) **Appl. No.: 29/198,439**

(22) **Filed: Jan. 29, 2004**

**Related U.S. Application Data**

(62) **Division of application No. 29/165,460, filed on Aug. 9, 2002, now Pat. No. Des. 486,130.**

(51) **LOC (7) Cl. .... 13-03**

(52) **U.S. Cl. .... D13/155; D13/184**

(58) **Field of Search .... D8/356; D13/184; 16/95 R; 138/162; 174/42, 101**

(56) **References Cited**

**U.S. PATENT DOCUMENTS**

3,786,171 A \* 1/1974 Shira ..... 174/48  
4,530,865 A \* 7/1985 Sprenger ..... 428/35.7

D371,343 S \* 7/1996 Loftus ..... D13/155  
6,191,363 B1 \* 2/2001 Samuels ..... 174/68.3  
6,323,421 B1 \* 11/2001 Pawson et al. .... 174/48  
6,513,289 B1 \* 2/2003 Decore et al. .... 52/288.1  
D486,130 S \* 2/2004 Thibault ..... D13/184

\* cited by examiner

*Primary Examiner*—Stella Reid

*Assistant Examiner*—Selina Sikder

(74) *Attorney, Agent, or Firm*—McCormick Paulding & Huber LLP

(57) **CLAIM**

I claim the new and original design for a surface mounted electrical cable way, as shown and described.

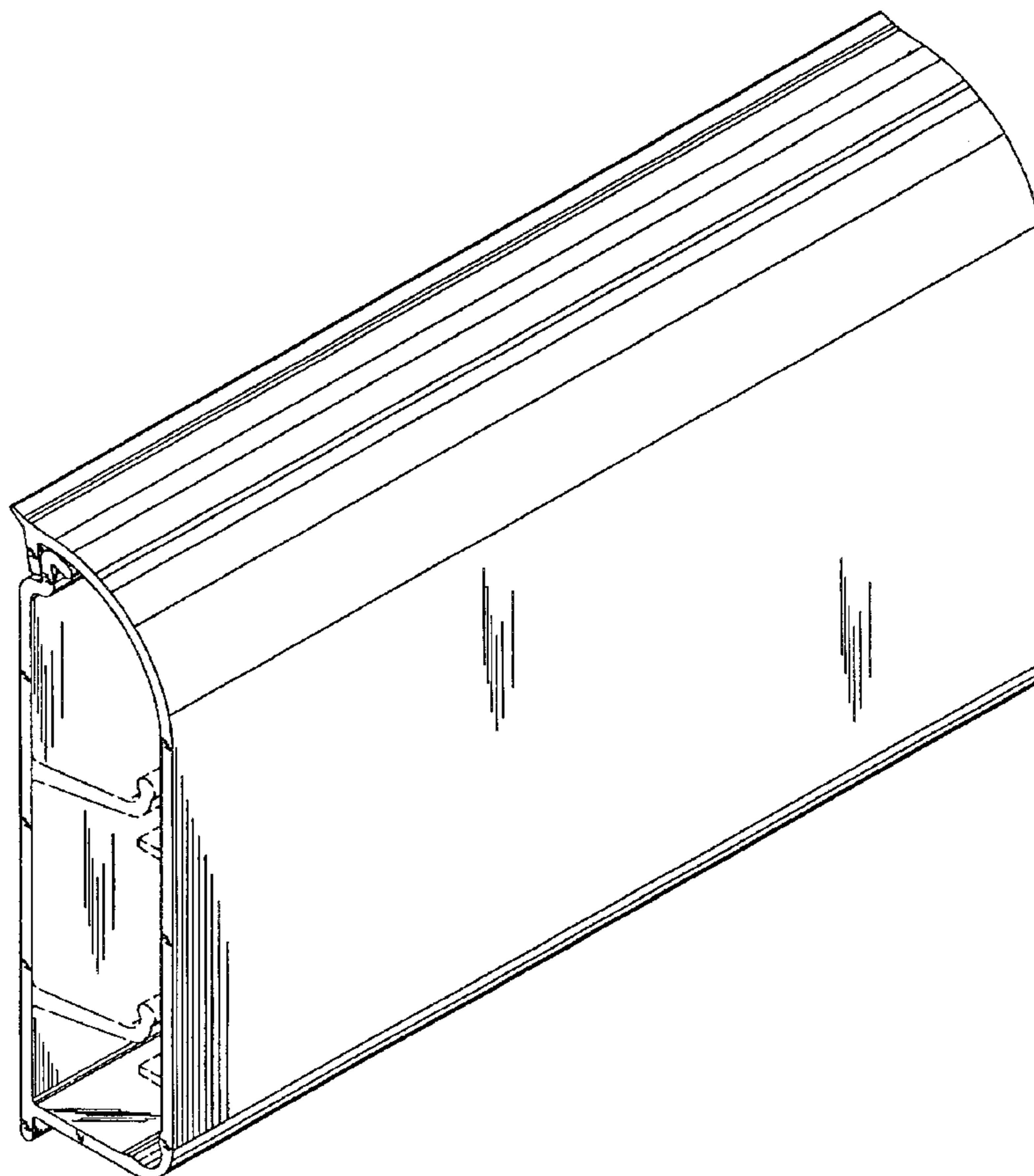
**DESCRIPTION**

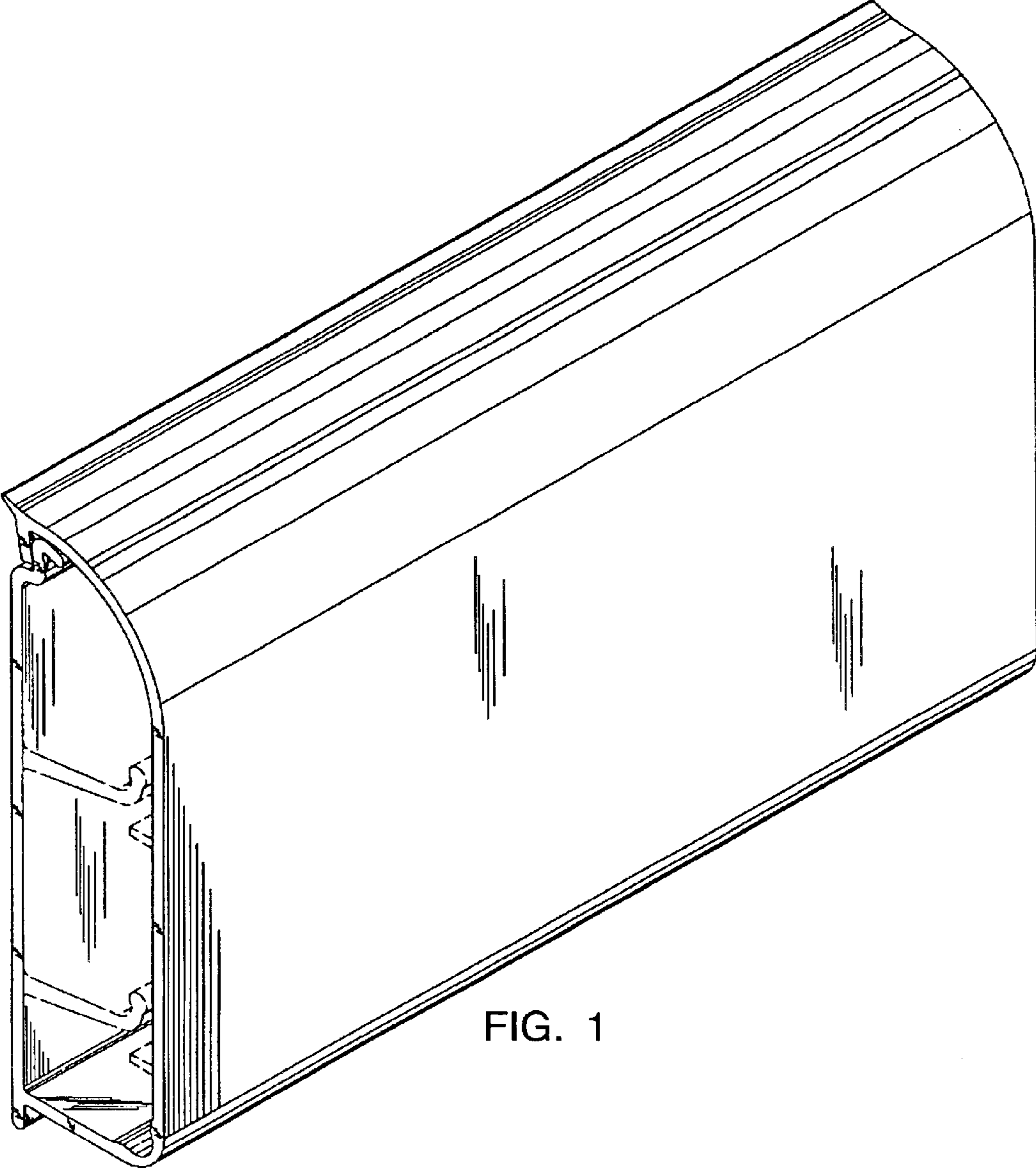
FIG. 1 is a perspective view, showing my new design and illustrating the cable way of the present invention as it would appear mounted to a wall surface, the phantom line portions forming no part of the design.

FIG. 2 is a rear quartering perspective view of the cable way illustrated in FIG. 1, the phantom line portions forming no part of the present invention; and,

FIG. 3 is a side elevation view of the cable way illustrated in FIGS. 1 and 2.

**1 Claim, 3 Drawing Sheets**





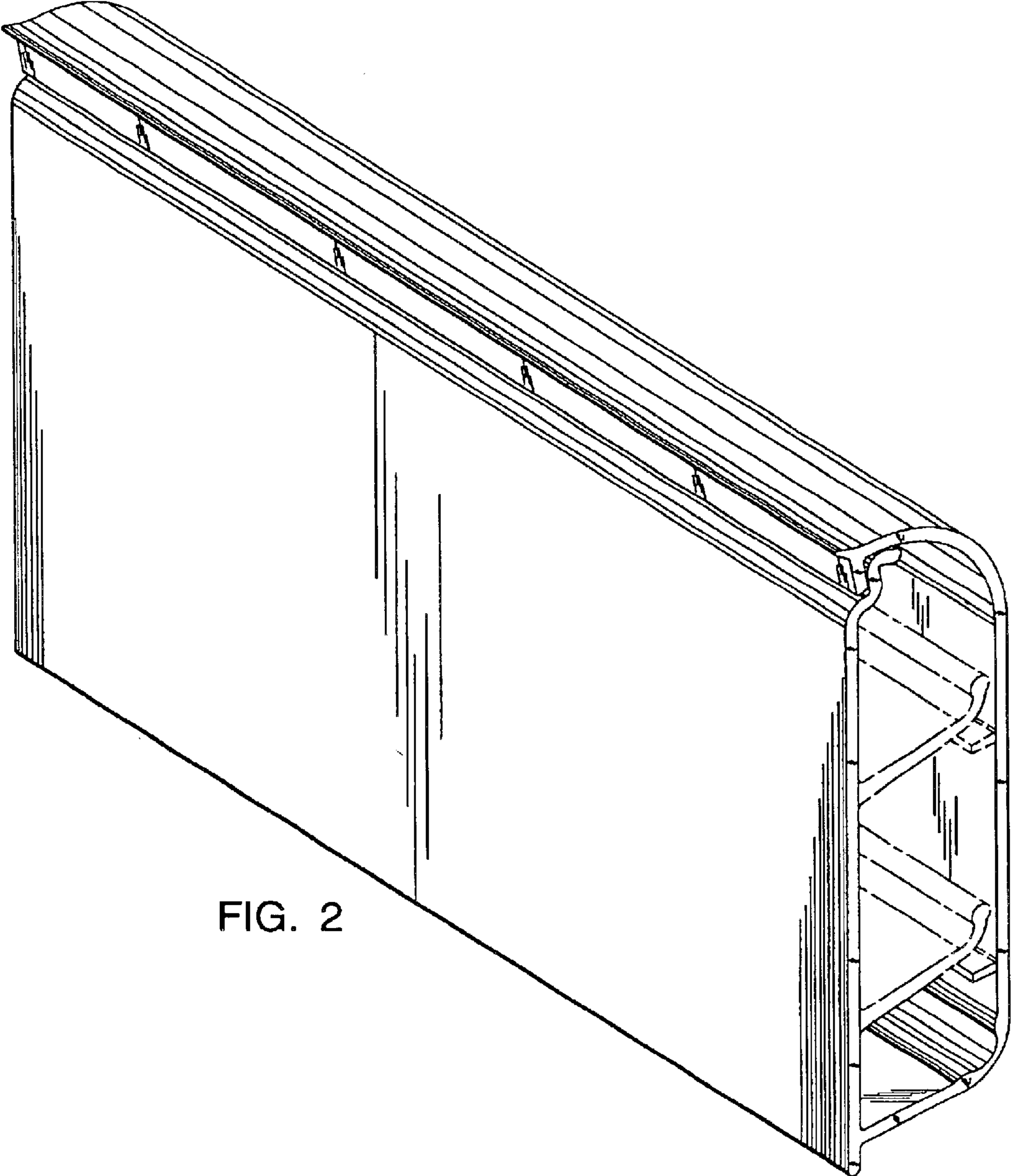


FIG. 2

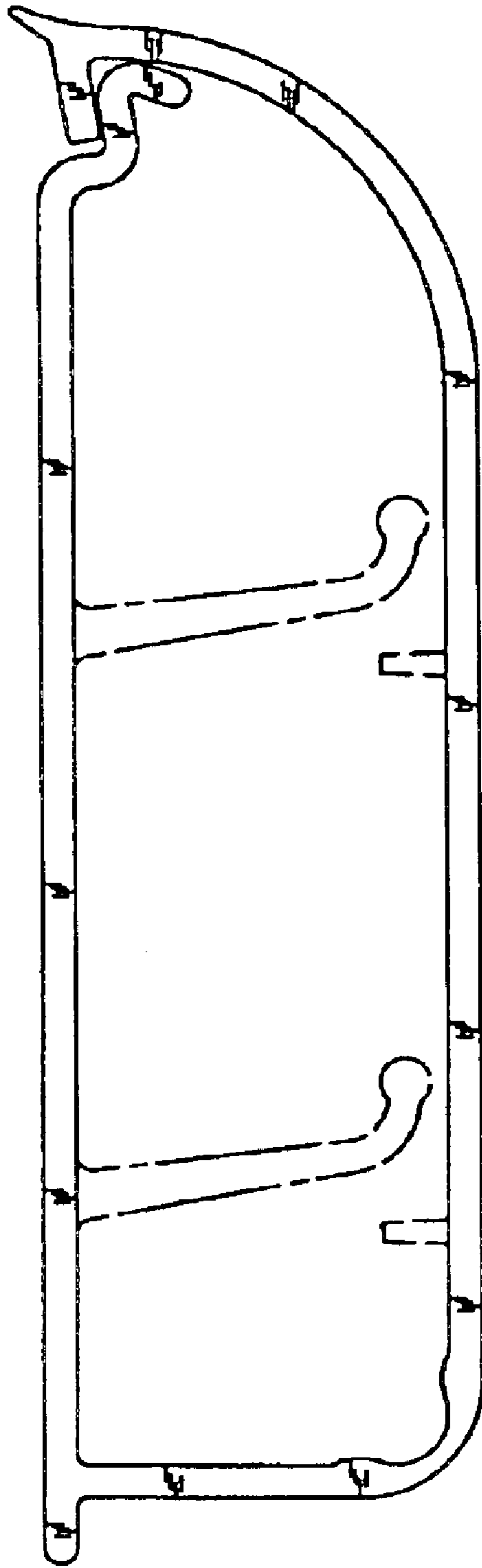


FIG. 3