



US00D499688S

(12) **United States Design Patent** (10) **Patent No.:** **US D499,688 S**
Atkinson et al. (45) **Date of Patent:** **** Dec. 14, 2004**

(54) **AIRCRAFT**

(75) Inventors: **Alan J. Atkinson**, Seattle, WA (US);
Gerhard E. Seidel, Renton, WA (US);
John Yeeles, Issaquah, WA (US)

(73) Assignee: **The Boeing Company**, Chicago, IL
(US)

(**) Term: **14 Years**

(21) Appl. No.: **29/197,557**

(22) Filed: **Jan. 16, 2004**

(51) **LOC (7) Cl.** **12-99**

(52) **U.S. Cl.** **D12/319**

(58) **Field of Search** D12/319-345;
244/12.5, 13, 15, 55, 65

(56) **References Cited**

U.S. PATENT DOCUMENTS

- D397,989 S * 9/1998 Al-Sabah D12/319
- D426,804 S * 6/2000 Birrenbach D12/319
- 6,478,253 B1 11/2002 Seidel
- D491,875 S * 6/2004 Eatkins et al. D12/319

* cited by examiner

Primary Examiner—Marcus A. Jackson
(74) *Attorney, Agent, or Firm*—Alston & Bird LLP

(57) **CLAIM**

The ornamental design for an aircraft, as shown and described.

DESCRIPTION

FIG. 1 is a side perspective view of an aircraft according to the present design;

FIG. 2 is a top plan view of the aircraft shown in FIG. 1;

FIG. 3 is a bottom plan view of the aircraft shown in FIG. 1;

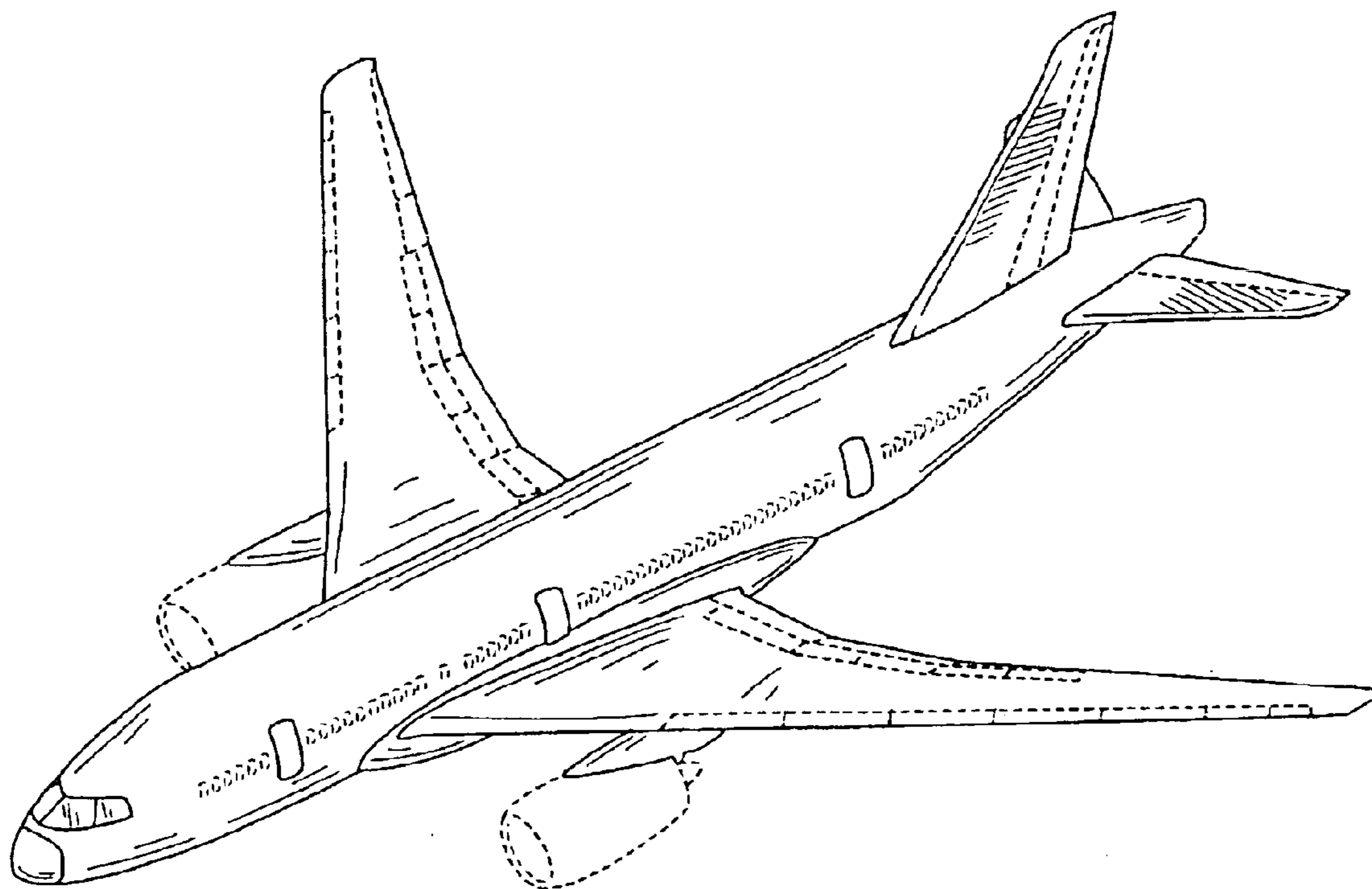
FIG. 4 is a front elevation view of the aircraft shown in FIG. 1;

FIG. 5 is a rear elevation view of the aircraft shown in FIG. 1; and,

FIG. 6 is a left side elevation view of the aircraft shown in FIG. 1, the right side elevation view being a mirror image thereof.

The broken lines shown herein are for illustrative purposes only and form no part of the claimed design.

1 Claim, 6 Drawing Sheets



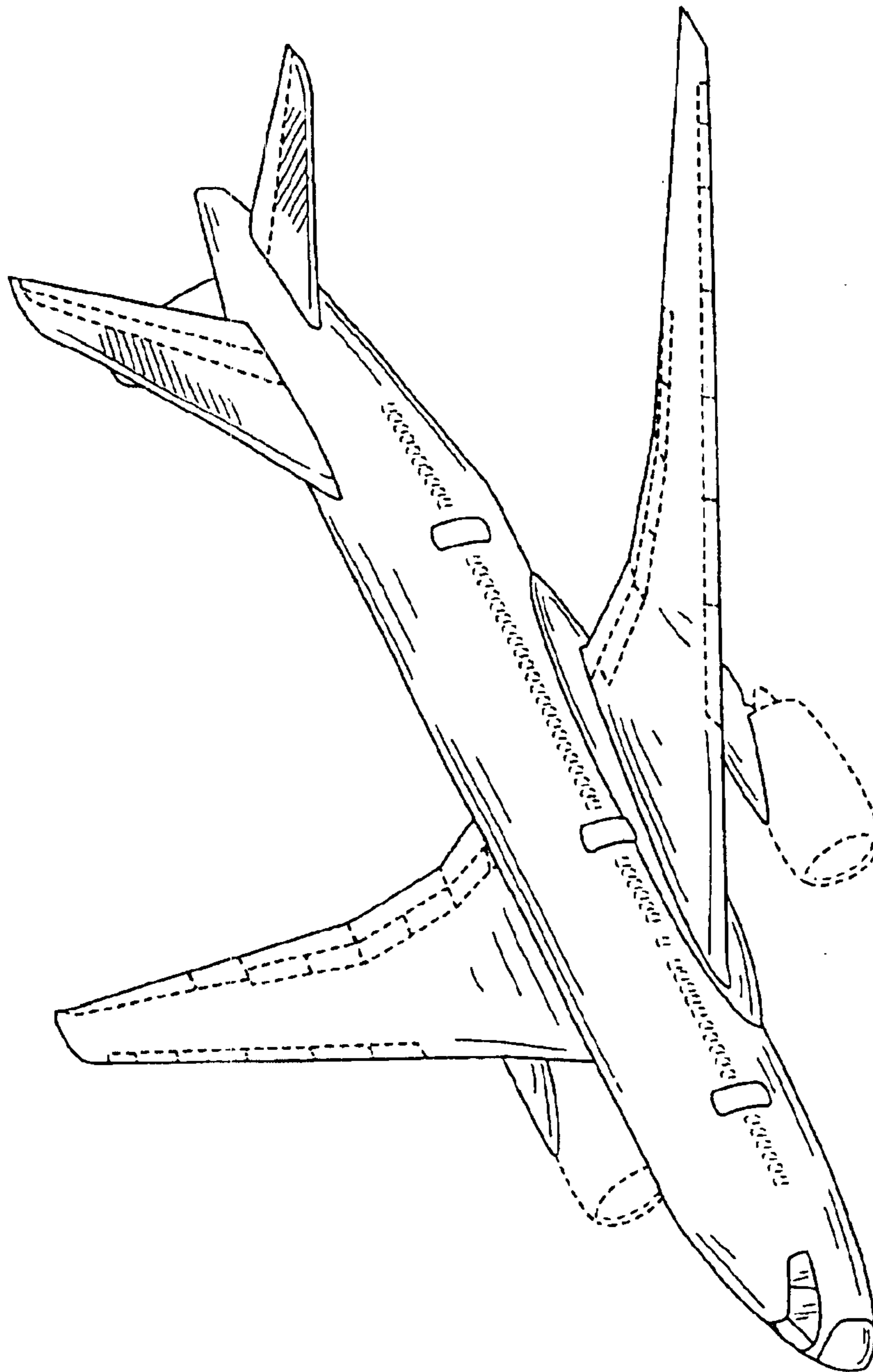


FIG. 1

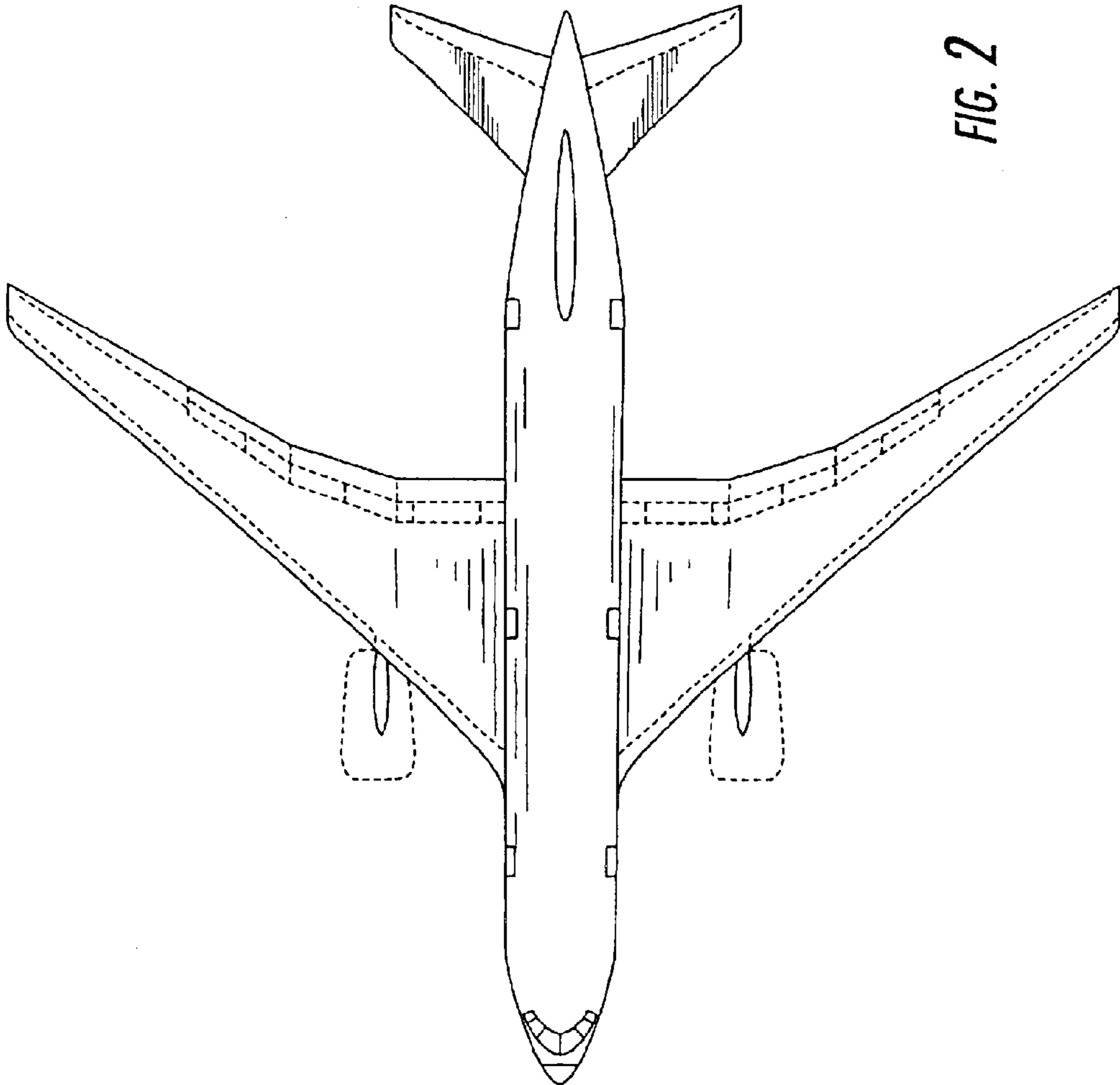


FIG. 2

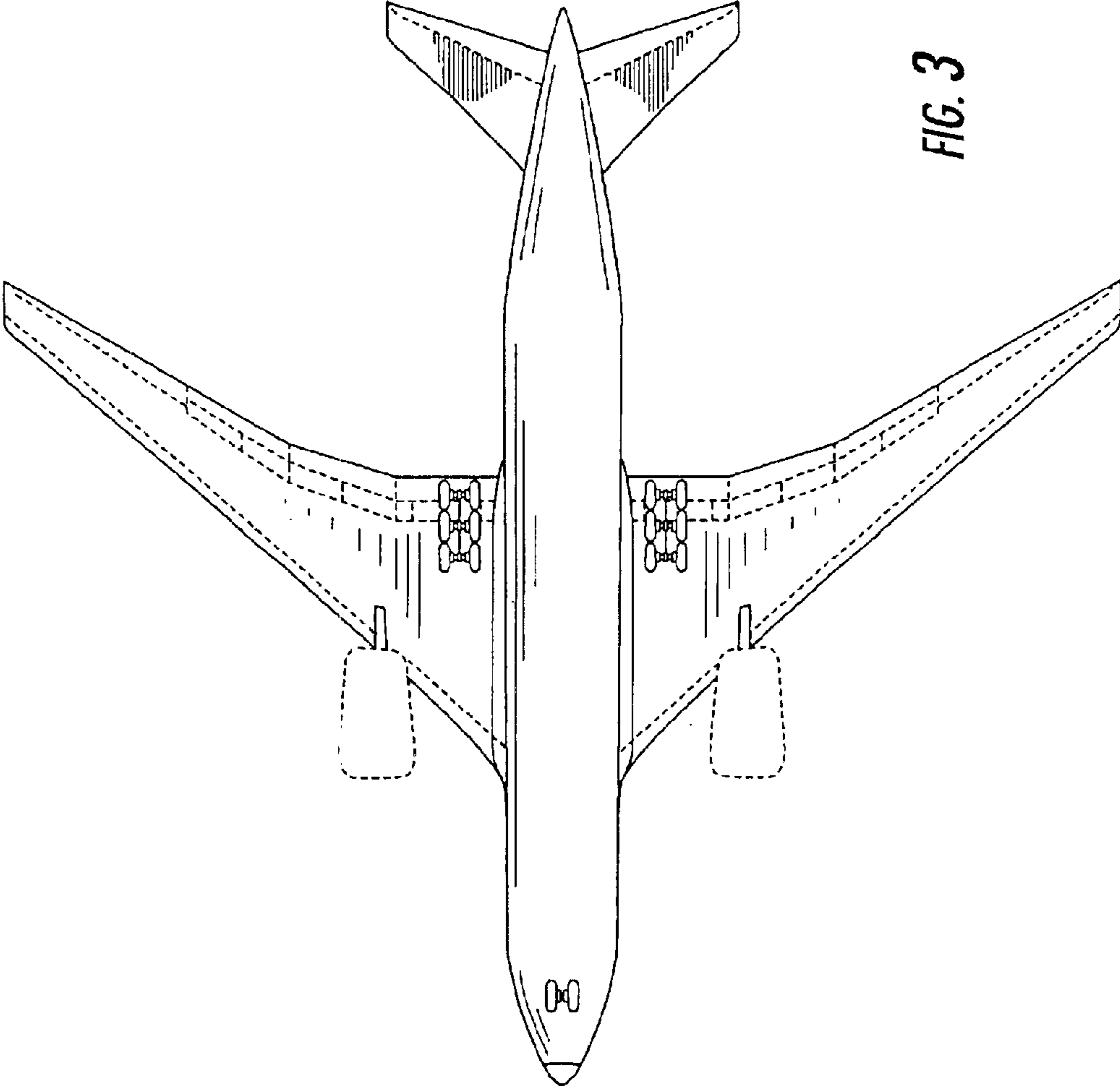


FIG. 3

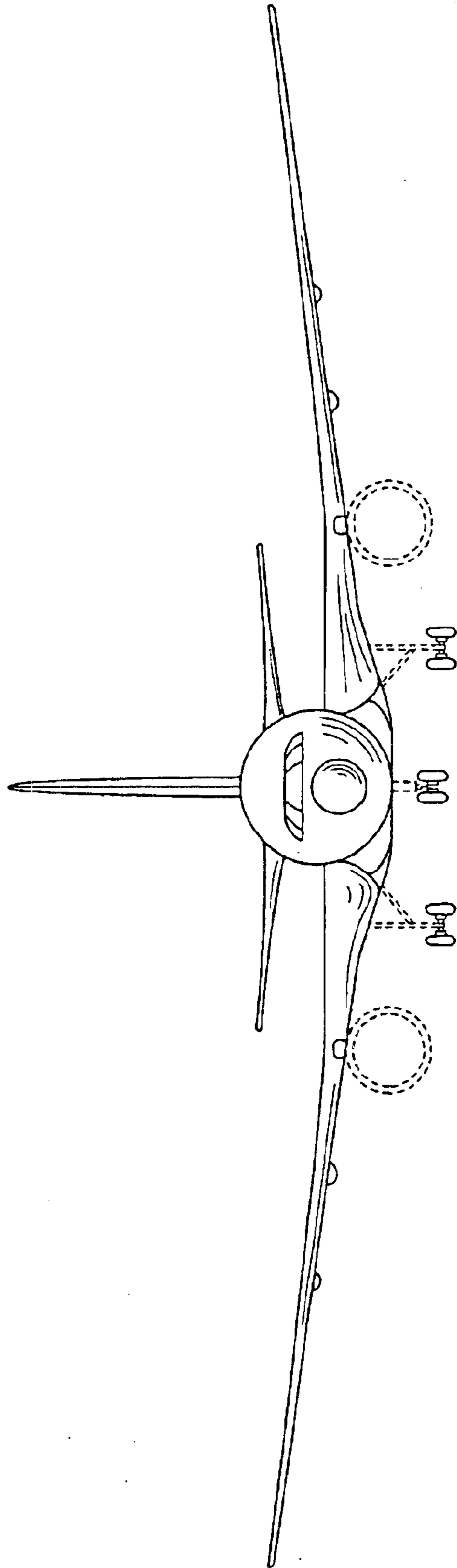


FIG. 4

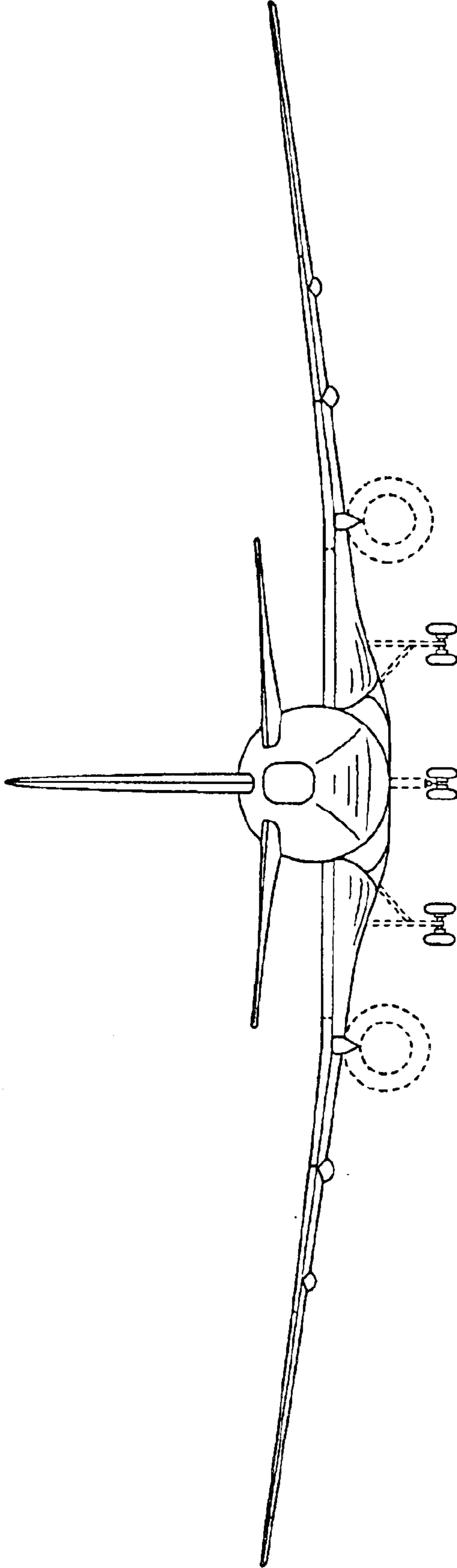


FIG. 5

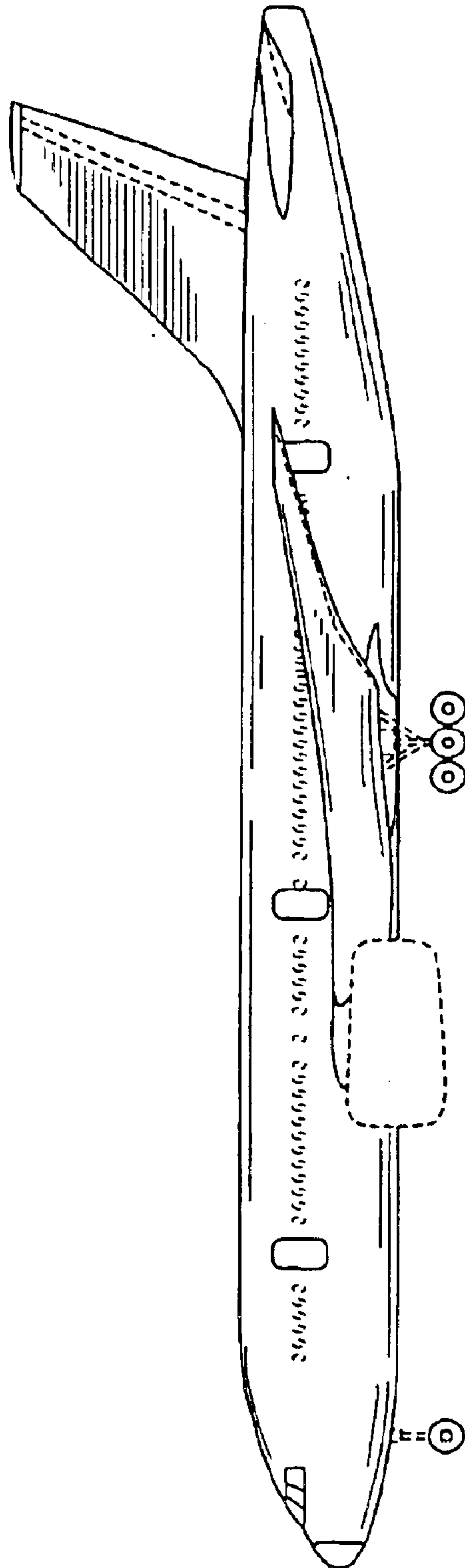


FIG. 6