

US00D499685S

(12) **United States Design Patent**
Schaefers

(10) **Patent No.: US D499,685 S**

(45) **Date of Patent: ** Dec. 14, 2004**

(54) **FRONT FACE OF A VEHICLE WHEEL**

(75) **Inventor: Hendrik Schaefer, Overath (DE)**

(73) **Assignee: Bayerische Motoren Werke
Aktiengesellschaft, Munich (DE)**

(**) **Term: 14 Years**

(21) **Appl. No.: 29/194,473**

(22) **Filed: Nov. 26, 2003**

(30) **Foreign Application Priority Data**

May 28, 2003 (DE) 4 03 03 911

(51) **LOC (7) Cl. 12-16**

(52) **U.S. Cl. D12/211**

(58) **Field of Search D12/204-213;
301/37.101, 64.101, 65**

(56) **References Cited**

U.S. PATENT DOCUMENTS

- D350,932 S * 9/1994 Echazabel et al. D12/211
- D394,838 S * 6/1998 Suprihanto D12/211
- D401,206 S * 11/1998 Ivanova D12/209

- D405,409 S * 2/1999 Baumgartner D12/211
- D416,849 S * 11/1999 Weidhase D12/211
- D438,162 S * 2/2001 Syring D12/211
- D438,163 S * 2/2001 Langerer D12/211
- D454,327 S * 3/2002 Bux D12/211
- D472,865 S * 4/2003 Wechner D12/211
- D480,035 S * 9/2003 Fröhlich D12/211

* cited by examiner

Primary Examiner—Stacia Cadmus

(74) *Attorney, Agent, or Firm*—Crowell & Moring LLP

(57) **CLAIM**

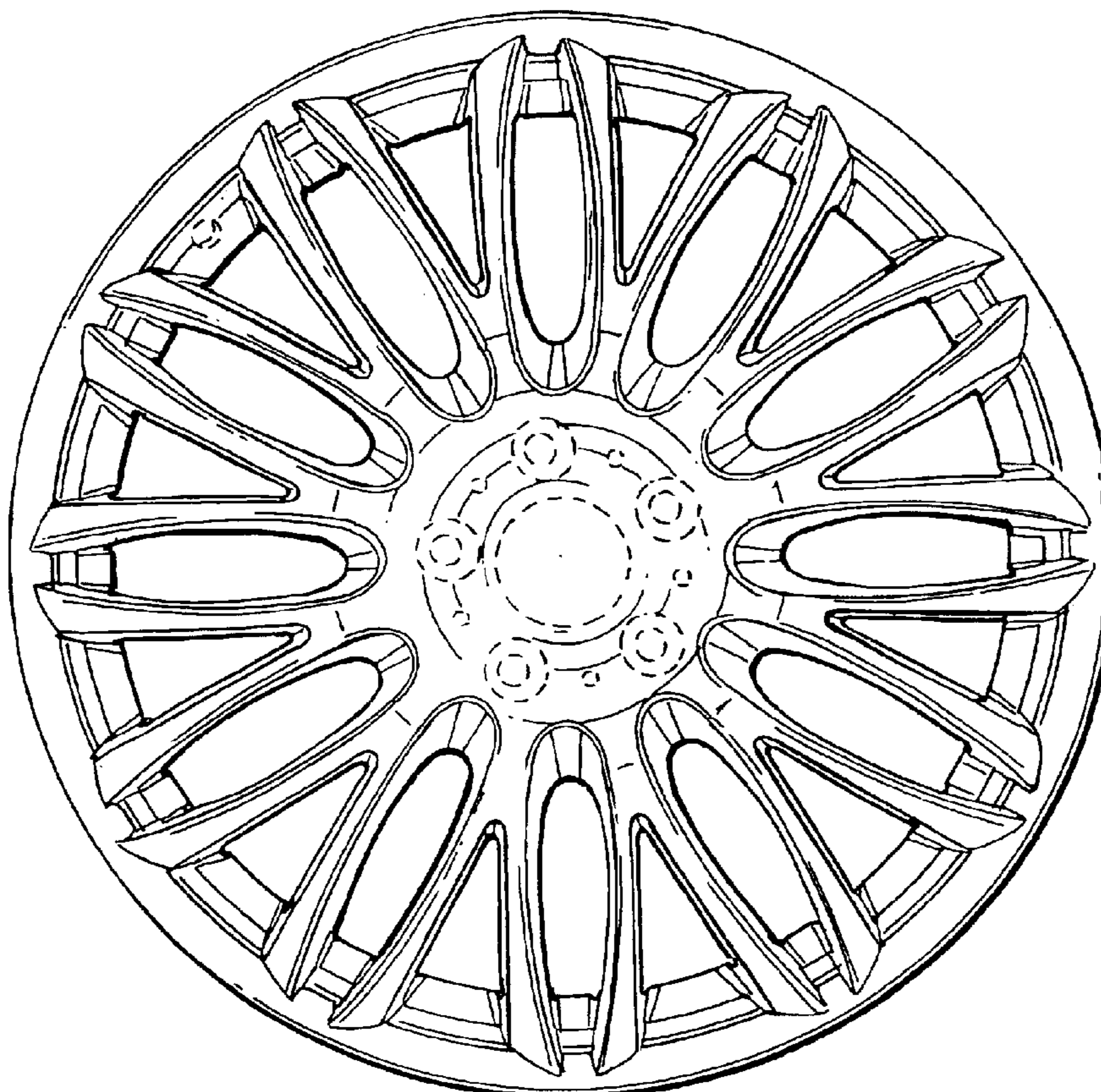
The ornamental design for a front face of a vehicle wheel, as shown and described.

DESCRIPTION

FIG. 1 is a front view of a front face of a vehicle wheel according to my novel design; and, FIG. 2 is a perspective view of the front face of a vehicle wheel according to my novel design.

The broken lines are for illustrative purposes only and form no part of the claimed design.

1 Claim, 1 Drawing Sheet



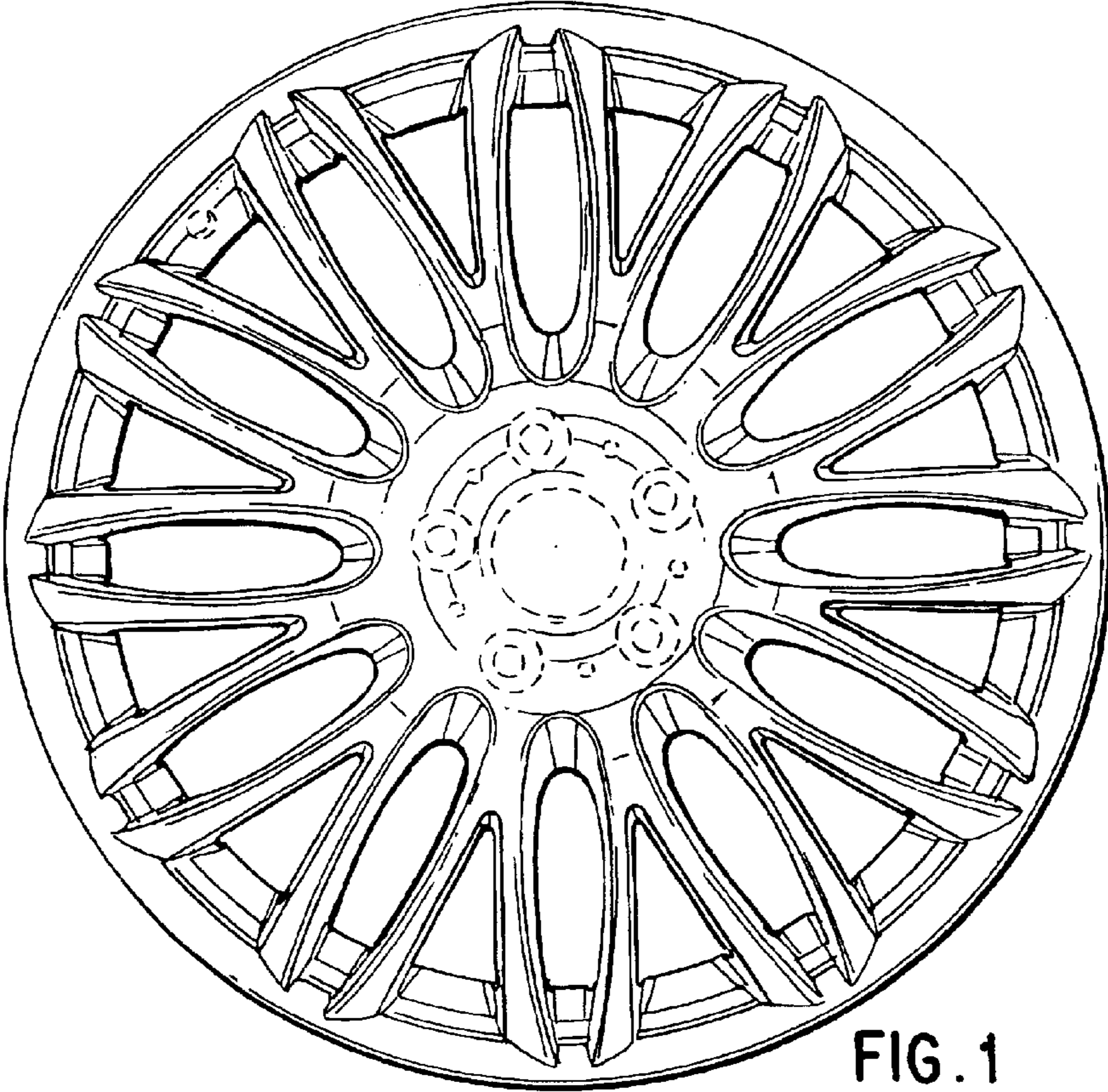


FIG. 1

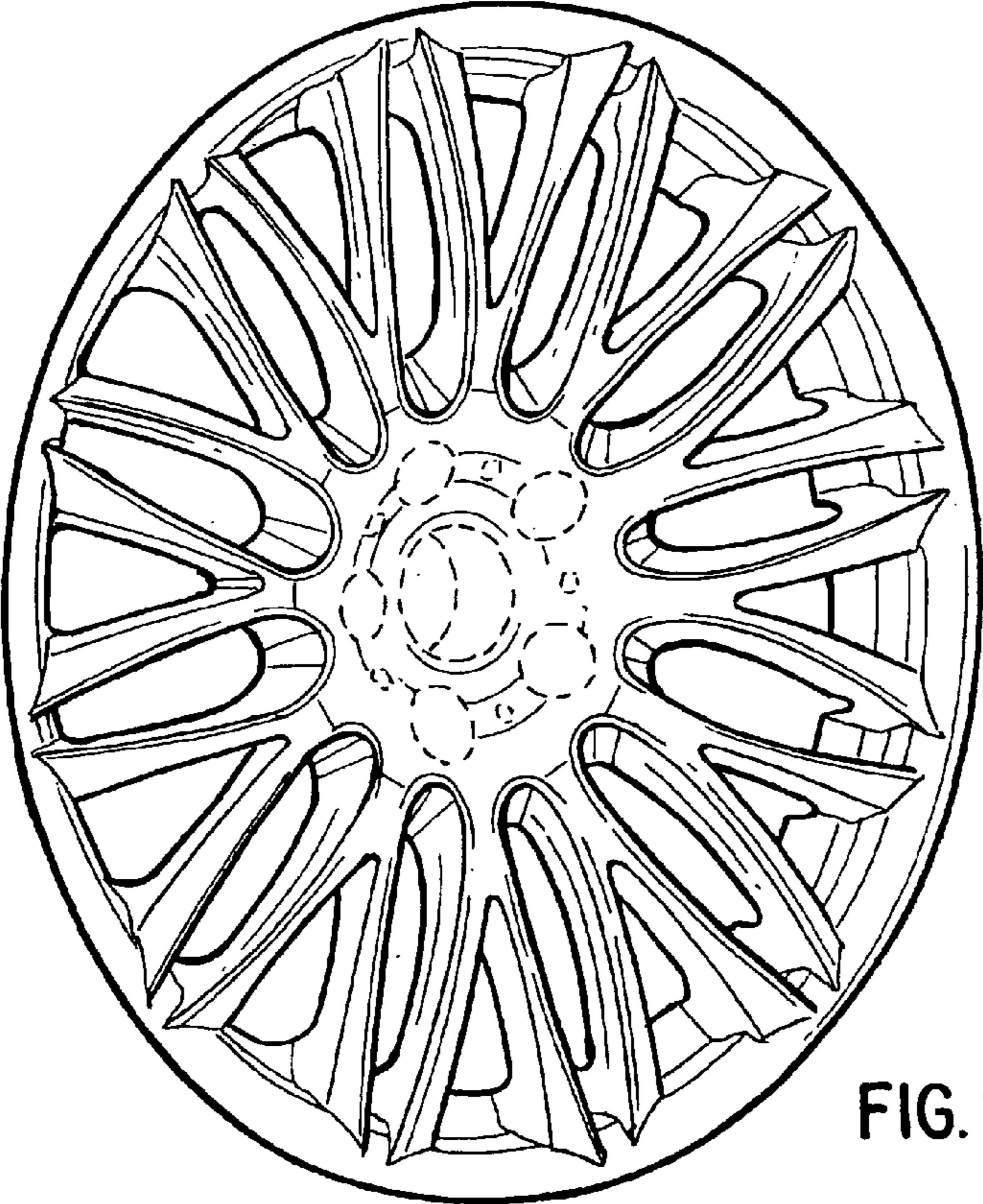


FIG. 2