

US00D499681S

(12) **United States Design Patent** (10) **Patent No.:** **US D499,681 S**
Boyer (45) **Date of Patent:** **** Dec. 14, 2004**

(54) **FRONT FACE OF A VEHICLE WHEEL**

(75) **Inventor:** **Boyke Boyer, Ismaning (DE)**

(73) **Assignee:** **Bayerische Motoren Werke
Aktiengesellschaft, Munich (DE)**

(**) **Term:** **14 Years**

(21) **Appl. No.:** **29/182,334**

(22) **Filed:** **May 27, 2003**

(30) **Foreign Application Priority Data**

Nov. 25, 2002 (DE) 4 02 09 836

(51) **LOC (7) Cl.** **12-16**

(52) **U.S. Cl.** **D12/209**

(58) **Field of Search** D12/204-213;
301/37.101, 64.101, 65

(56) **References Cited**

U.S. PATENT DOCUMENTS

- D204,933 S * 5/1966 Richter D12/211
- D208,541 S * 9/1967 Rader D12/211
- D219,871 S * 2/1971 Griffith D12/209
- 3,726,672 A * 4/1973 Lindberg et al. D12/211
- D375,287 S * 11/1996 Neeper D12/211
- D403,291 S * 12/1998 Cullen D12/211
- D408,774 S * 4/1999 Nishida D12/209
- D409,969 S * 5/1999 Chung D12/211
- D412,693 S * 8/1999 Kulla D12/211

- D423,441 S * 4/2000 Bildhaeuser D12/209
- D431,807 S * 10/2000 Fitzgerald D12/211
- D432,970 S * 10/2000 Pfeiffer et al. D12/209
- D458,574 S * 6/2002 Kaucher D12/211
- D460,728 S * 7/2002 Clarke D12/209
- D461,443 S * 8/2002 Fitzgerald D12/211
- D461,754 S * 8/2002 Hoshino D12/209
- D480,672 S * 10/2003 Pfeiffer et al. D12/209
- D484,840 S * 1/2004 Heel D12/209
- D487,043 S * 2/2004 McMath D12/209
- D487,242 S * 3/2004 Lecher et al. D12/211
- D487,882 S * 3/2004 Cahyono D12/209
- D491,123 S * 6/2004 Lai D12/209

FOREIGN PATENT DOCUMENTS

DE 40204849 10/2002

* cited by examiner

Primary Examiner—Stacia Cadmus

(74) *Attorney, Agent, or Firm*—Crowell & Moring LLP

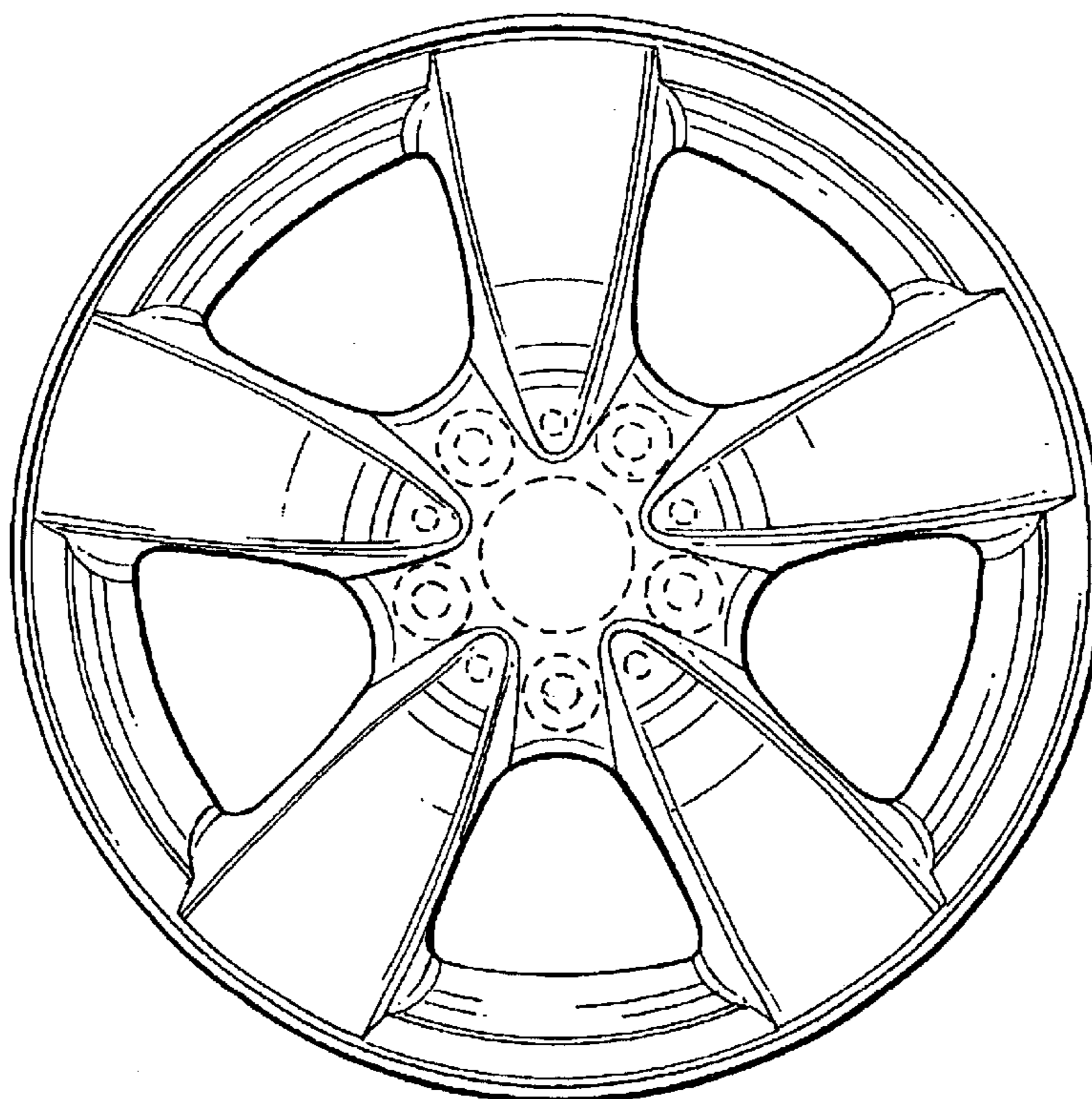
(57) **CLAIM**

The ornamental design for a front face of a vehicle wheel, as shown and described.

DESCRIPTION

FIG. 1 is a front view of a front face of a vehicle wheel according to my novel design; and, FIG. 2 is a perspective view of the front face of a vehicle wheel according to my novel design.

1 Claim, 1 Drawing Sheet



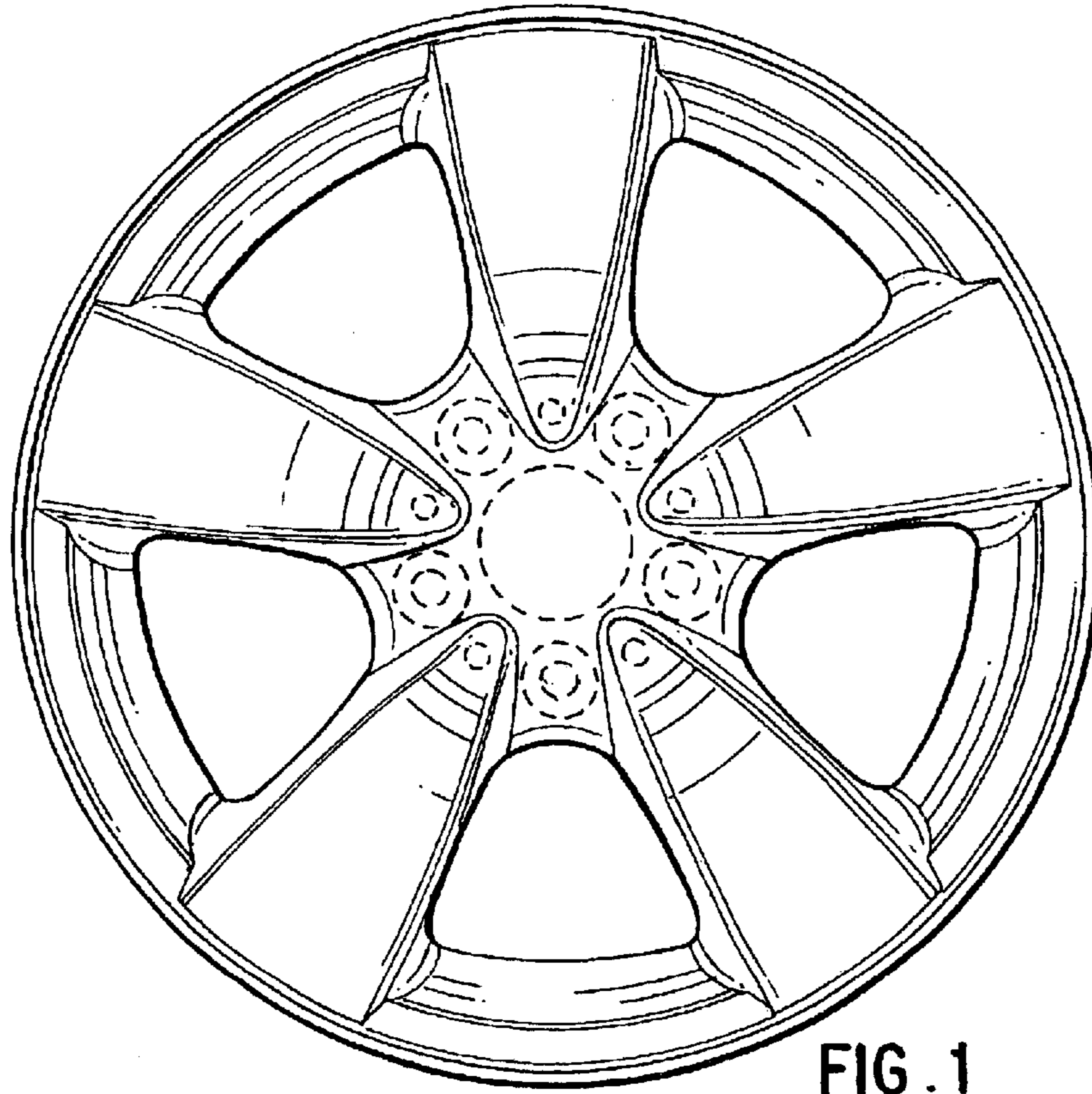


FIG. 1

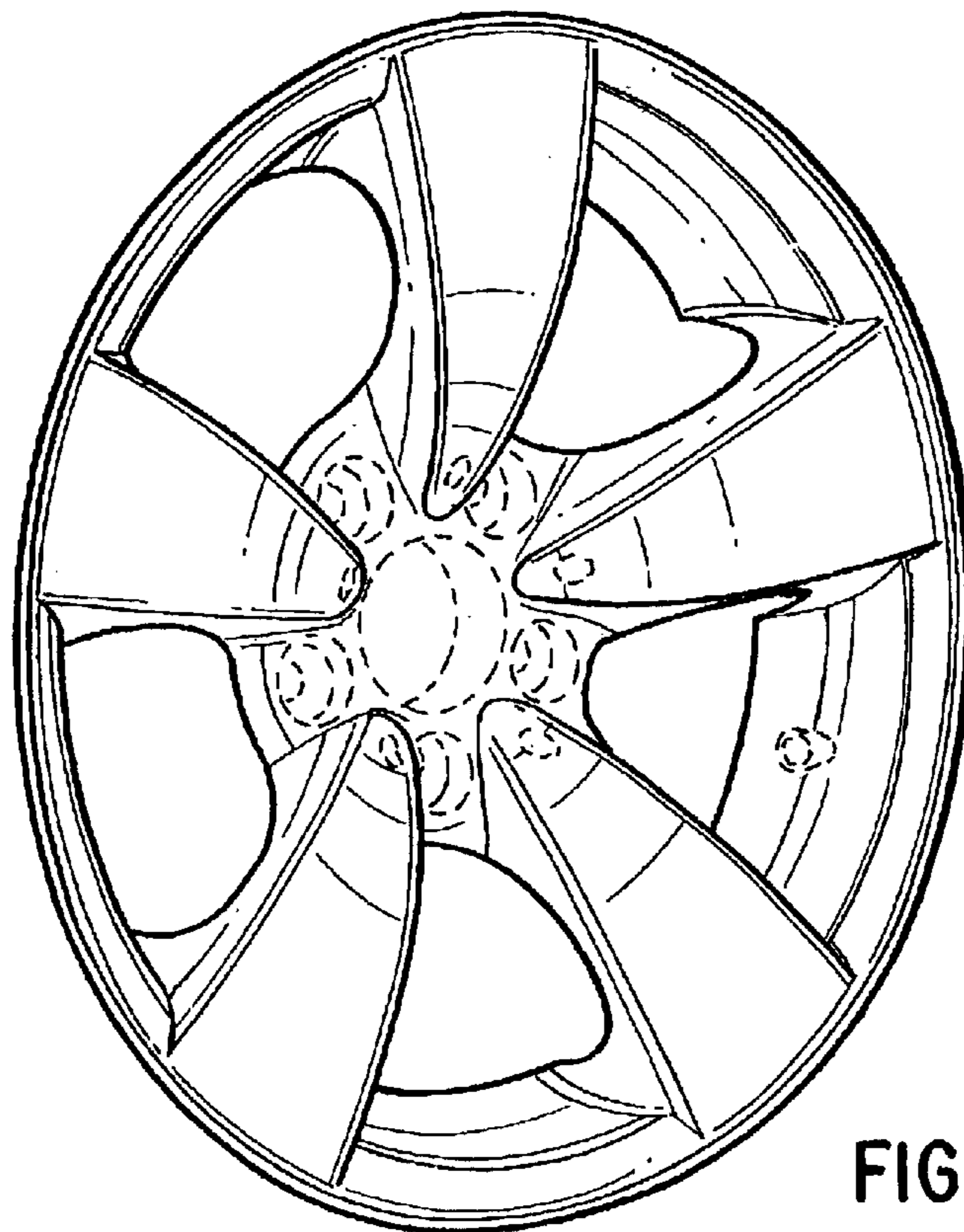


FIG. 2