

US00D499678S

(12) **United States Design Patent**  
**Bradley**

(10) **Patent No.:** **US D499,678 S**

(45) **Date of Patent:** **\*\* Dec. 14, 2004**

(54) **MIRROR HOLDER**

(76) **Inventor:** **John E. Bradley**, 17751 Panama City  
Beach Parkway, Panama City Beach, FL  
(US) 32413

(\*\*) **Term:** **14 Years**

(21) **Appl. No.:** **29/185,051**

(22) **Filed:** **Jun. 20, 2003**

**Related U.S. Application Data**

(62) Division of application No. 29/170,775, filed on Nov. 12,  
2002.

(51) **LOC (7) Cl.** ..... **12-16**

(52) **U.S. Cl.** ..... **D12/187**

(58) **Field of Search** ..... D12/187-189;  
359/838, 842-850, 854, 862-868, 871-876,  
881; 248/475.1, 302, 303

(56) **References Cited**

**U.S. PATENT DOCUMENTS**

2,869,425 A	1/1959	Kershaw
2,895,380 A	7/1959	Kurlytis
4,187,001 A	2/1980	Redwitz et al.
4,311,363 A	1/1982	Marsalka et al.
D274,054 S	5/1984	Barows
4,488,778 A	12/1984	Polzer et al.
D281,775 S	12/1985	Tanaka
4,637,694 A	1/1987	Castaneda
D293,903 S	1/1988	Kolenda et al.
4,776,231 A	10/1988	Cummins et al.
D300,312 S	3/1989	Skolger et al.
4,832,476 A	5/1989	Gabrielyan
D305,808 S	1/1990	Eisenbraun et al.
4,890,908 A	1/1990	Casey
4,892,401 A	1/1990	Kittridge et al.
4,906,088 A	3/1990	Casey
5,044,739 A	9/1991	do Espirito Santo
5,165,081 A	11/1992	Drumheller
D332,246 S	1/1993	Yeh
5,198,938 A	3/1993	Ward
D346,356 S	4/1994	Leu

5,321,556 A	6/1994	Joe	
D375,926 S	11/1996	Snyder	
D395,861 S	7/1998	Schmidt et al.	
D401,200 S	11/1998	Huang	
D422,955 S	4/2000	Gabath	
D431,219 S	9/2000	Englander et al.	
D450,281 S	11/2001	Ypma et al.	
D460,934 S	7/2002	Richardson	
D472,192 S	* 3/2003	Leveille .....	D12/187
D472,504 S	* 4/2003	Leveille .....	D12/187
D478,537 S	* 8/2003	Ono .....	D12/187
D479,169 S	* 9/2003	Schmidt et al. ....	D12/187
D486,106 S	* 2/2004	Huang .....	D12/187

\* cited by examiner

*Primary Examiner*—Melody N. Brown

(74) *Attorney, Agent, or Firm*—Fitch, Even, Tabin &  
Flannery

(57) **CLAIM**

The ornamental design for a mirror holder, as shown and  
described.

**DESCRIPTION**

FIG. 1 is a perspective view illustrating a mirror holder of  
my new design, comprising a mirror holder and showing a  
convex mirror therein;

FIG. 2 is a front elevation view thereof;

FIG. 3 is a top plan view thereof;

FIG. 4 is a right side elevation view thereof, the left side  
elevation view being the mirror image thereof;

FIG. 5 is a rear elevation view thereof;

FIG. 6 is a bottom plan view thereof;

FIG. 7 is a perspective view illustrating a second embodi-  
ment of a mirror holder of my new design, comprising a  
mirror holder, and showing a flat mirror therein, the top,  
right and left side, rear and bottom views are the same as in  
FIGS. 3-6; and,

FIG. 8 is a front elevation view of FIG. 7.

Portions of the mirror holder are shown in broken lines in  
FIGS. 3-6 for illustrative purposes only and form no part of  
the claimed design.

**1 Claim, 3 Drawing Sheets**

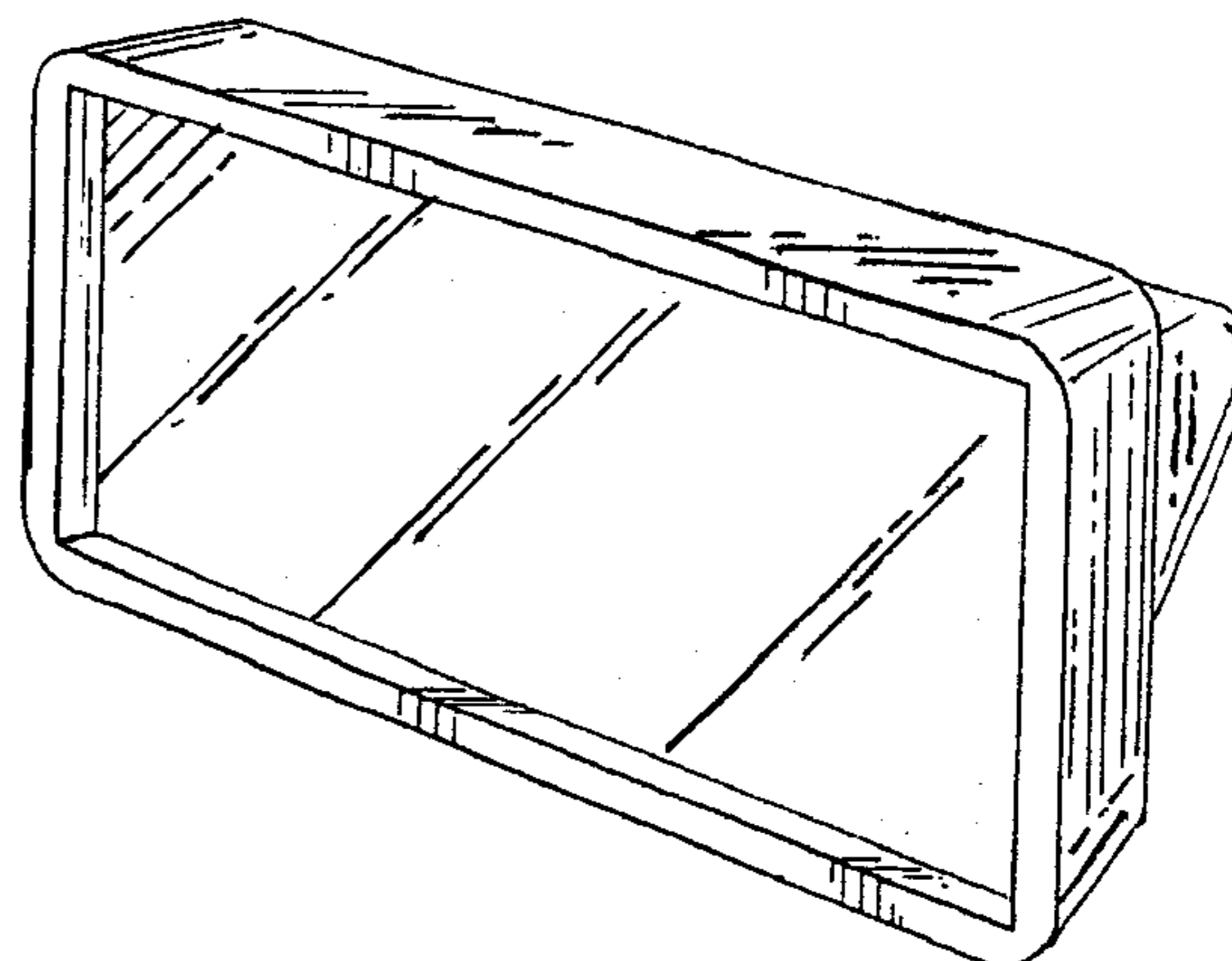
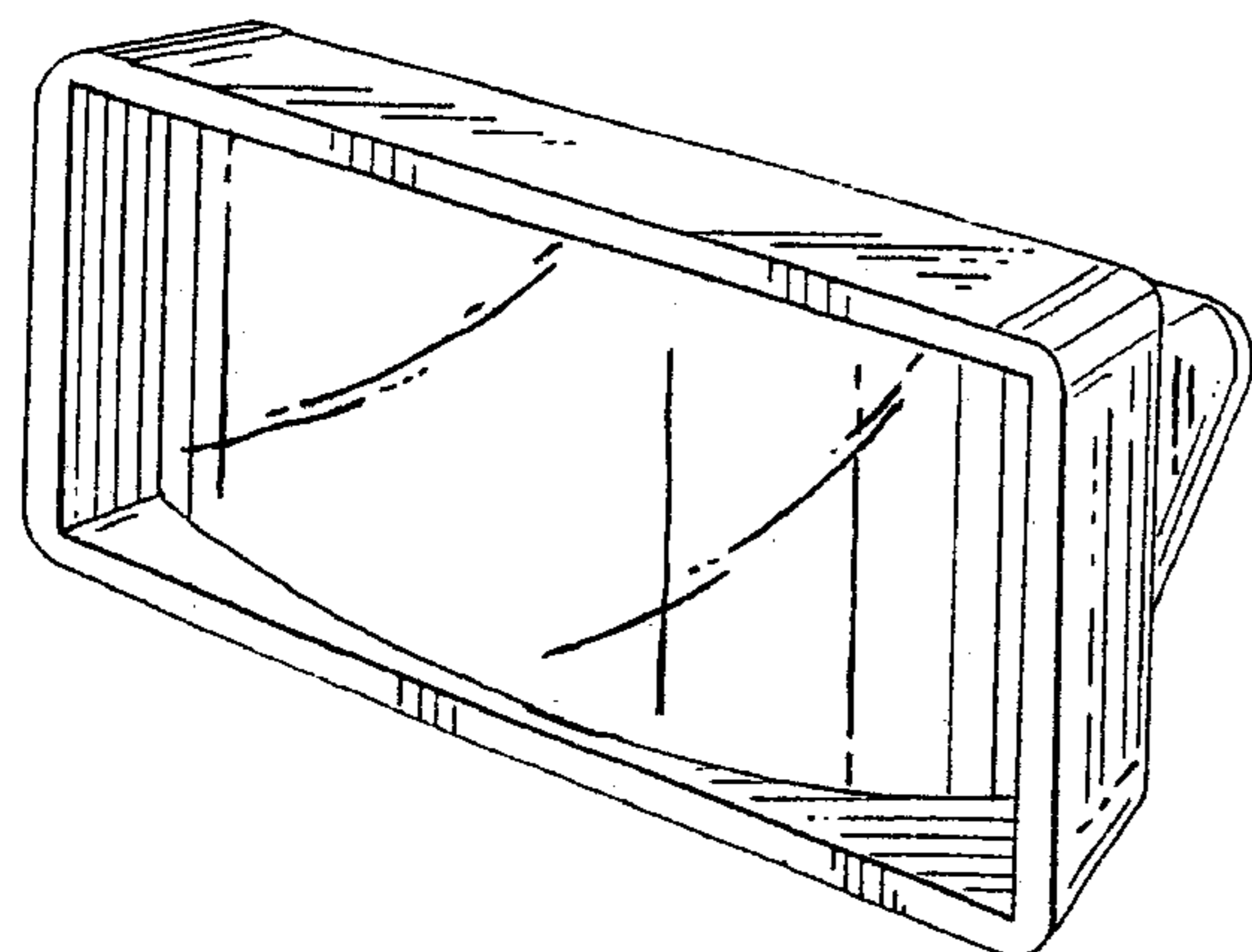


FIG. 1

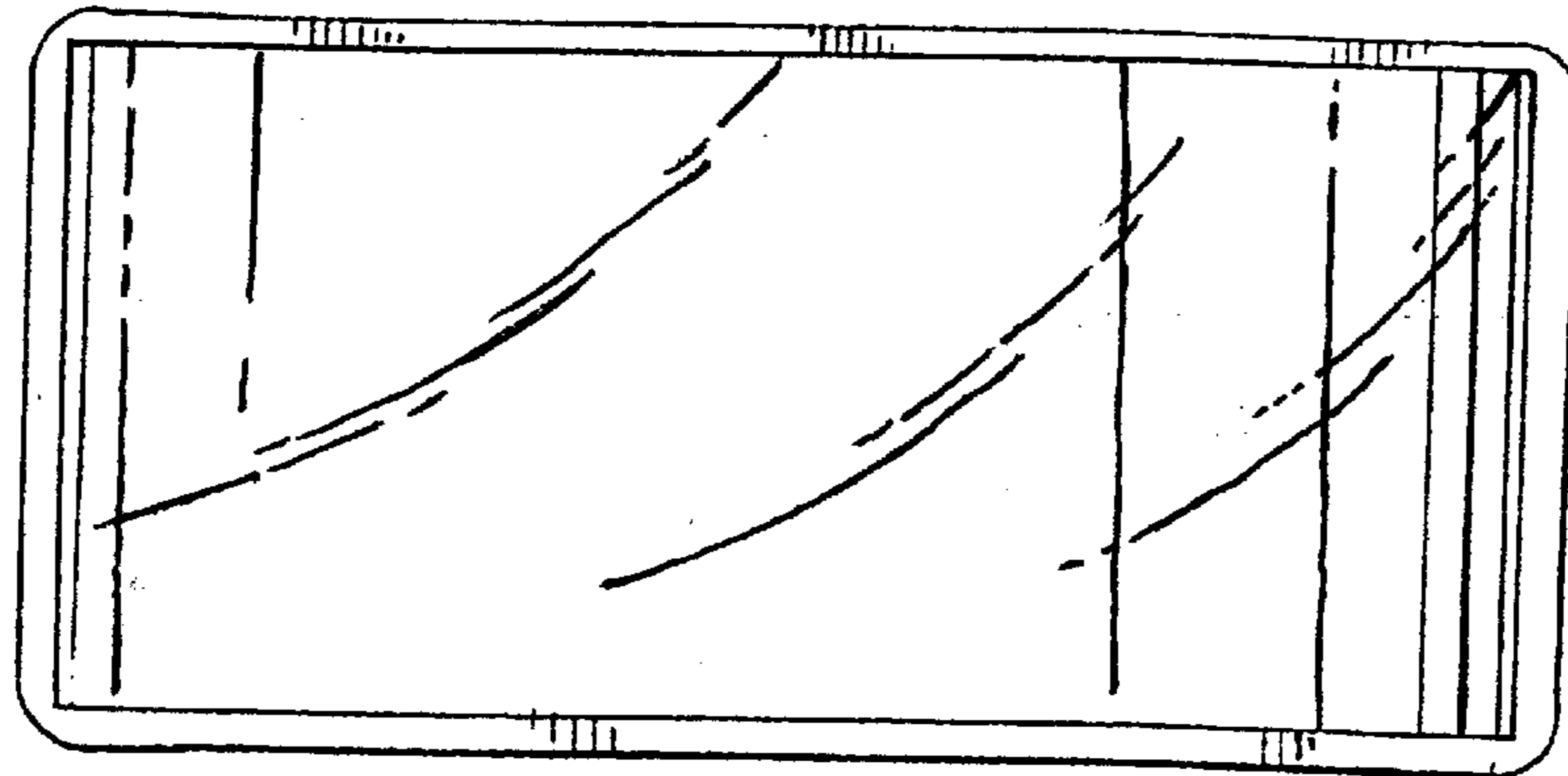
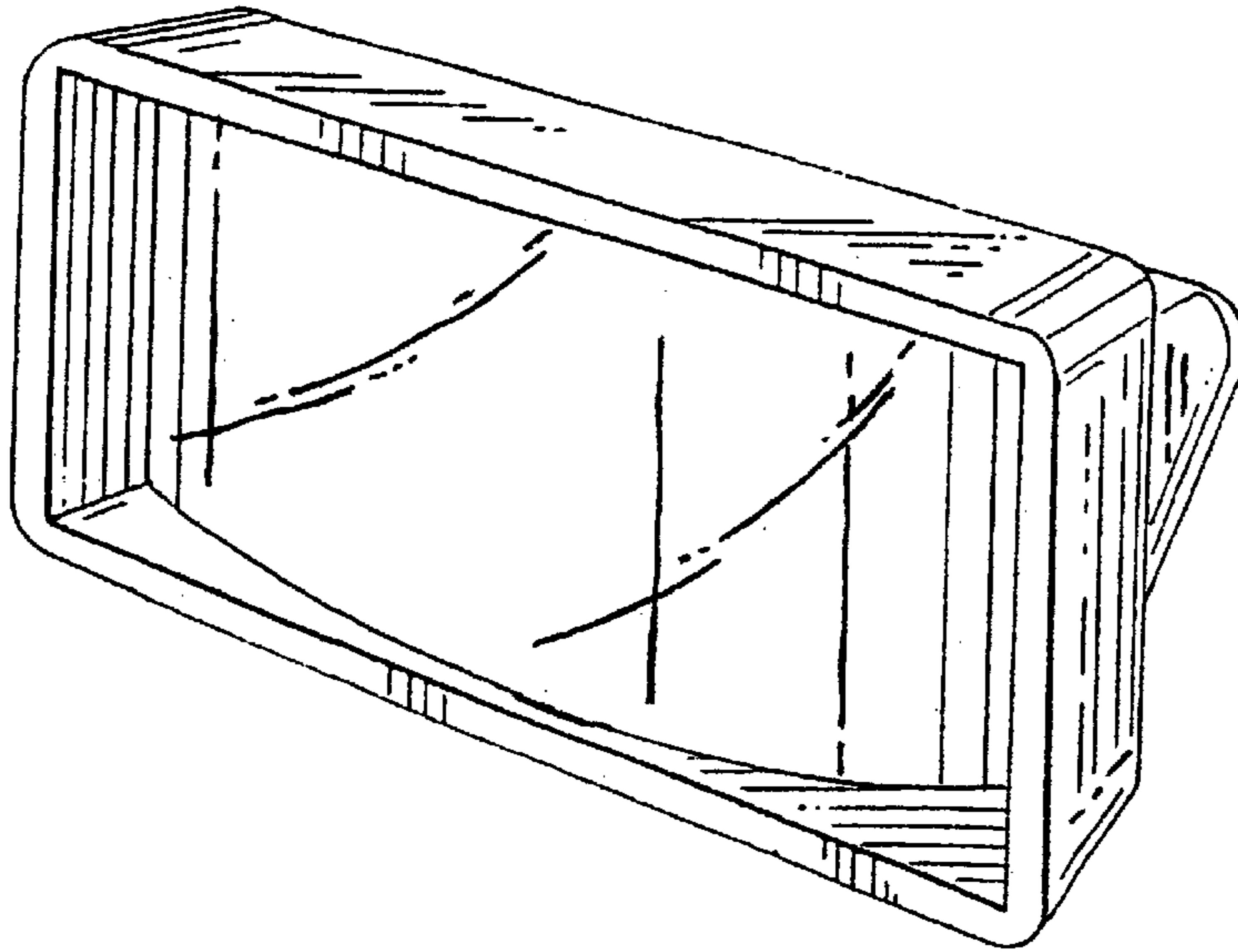


FIG. 2

FIG. 3

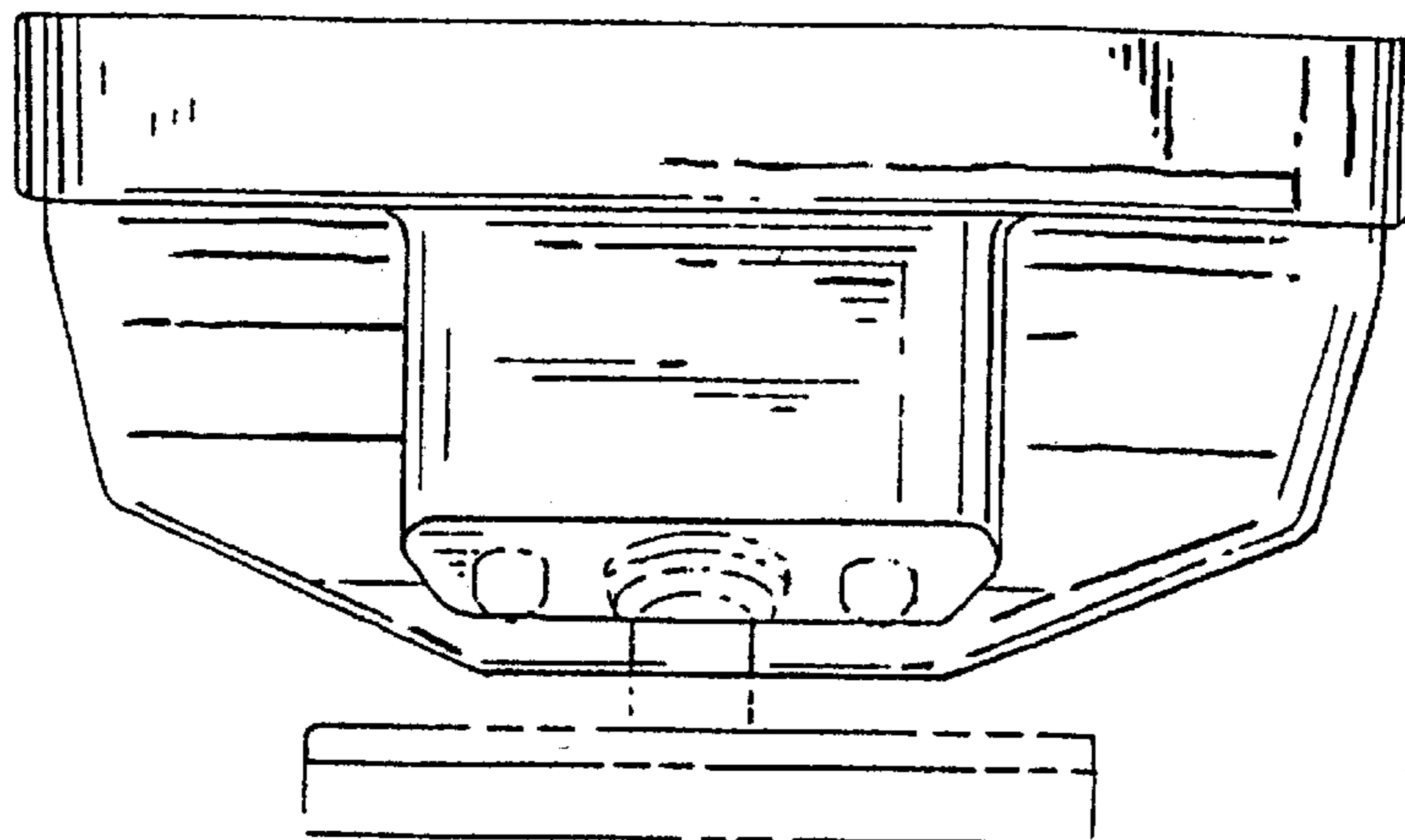


FIG. 4

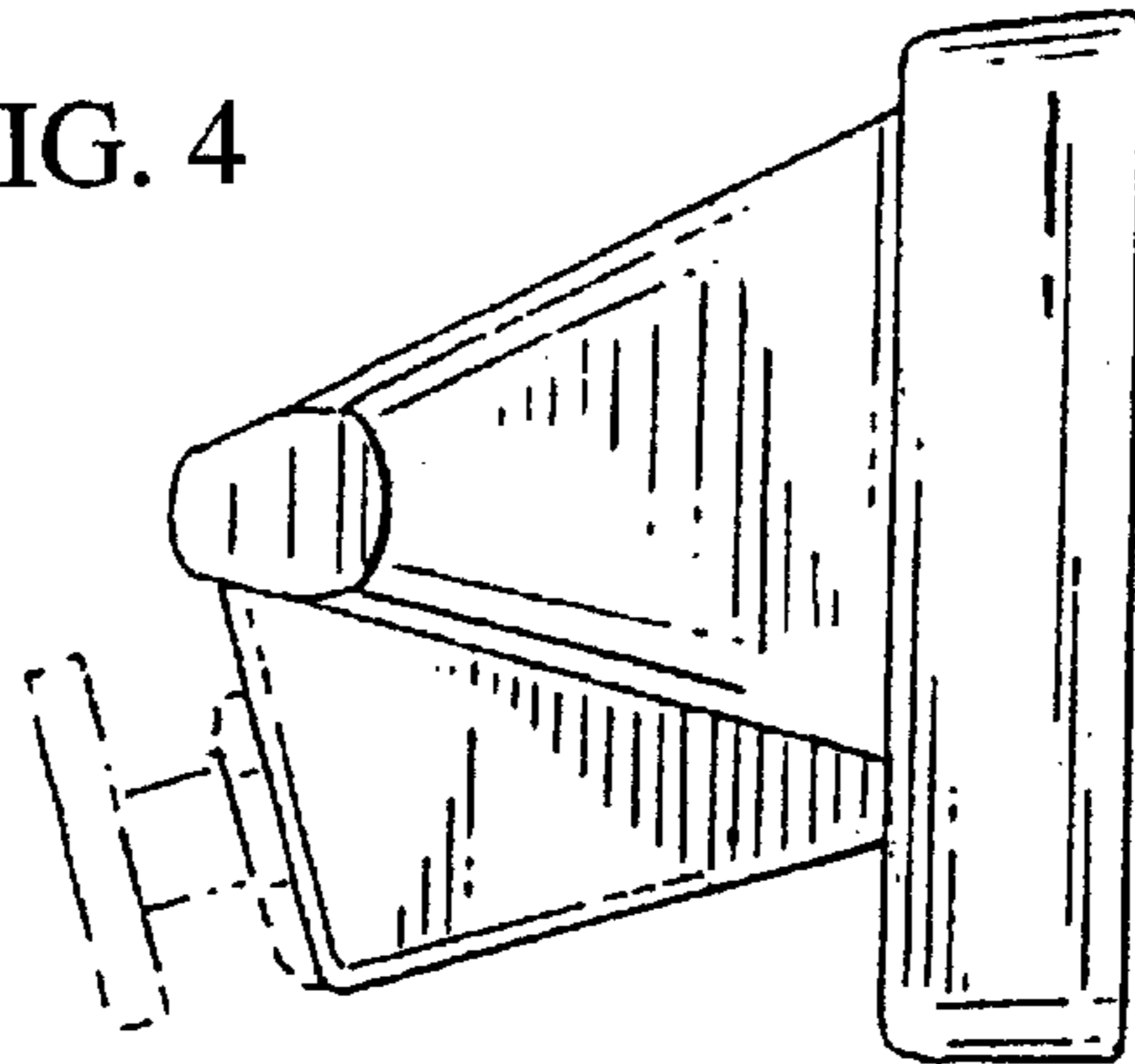


FIG. 5

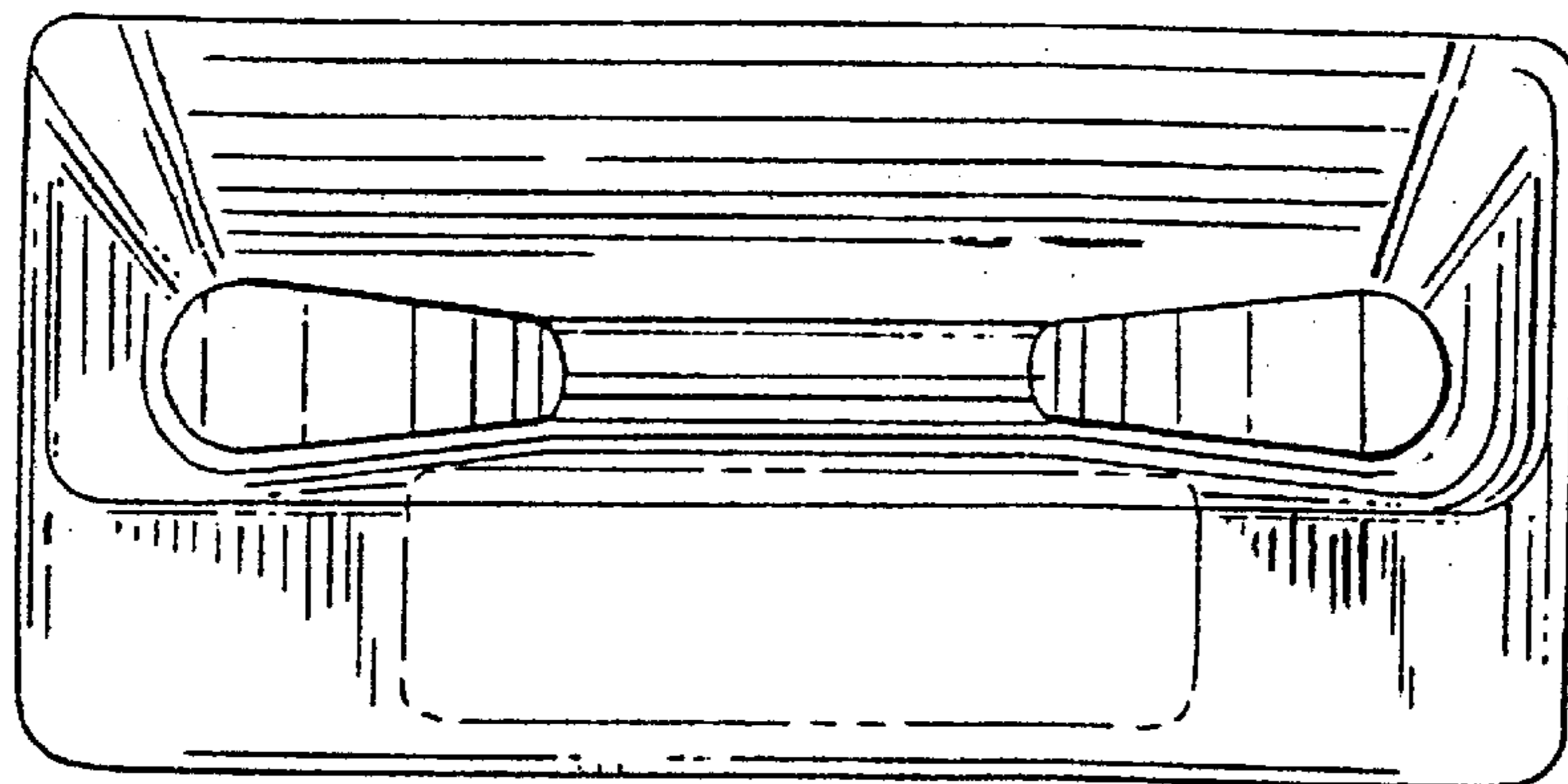


FIG. 6

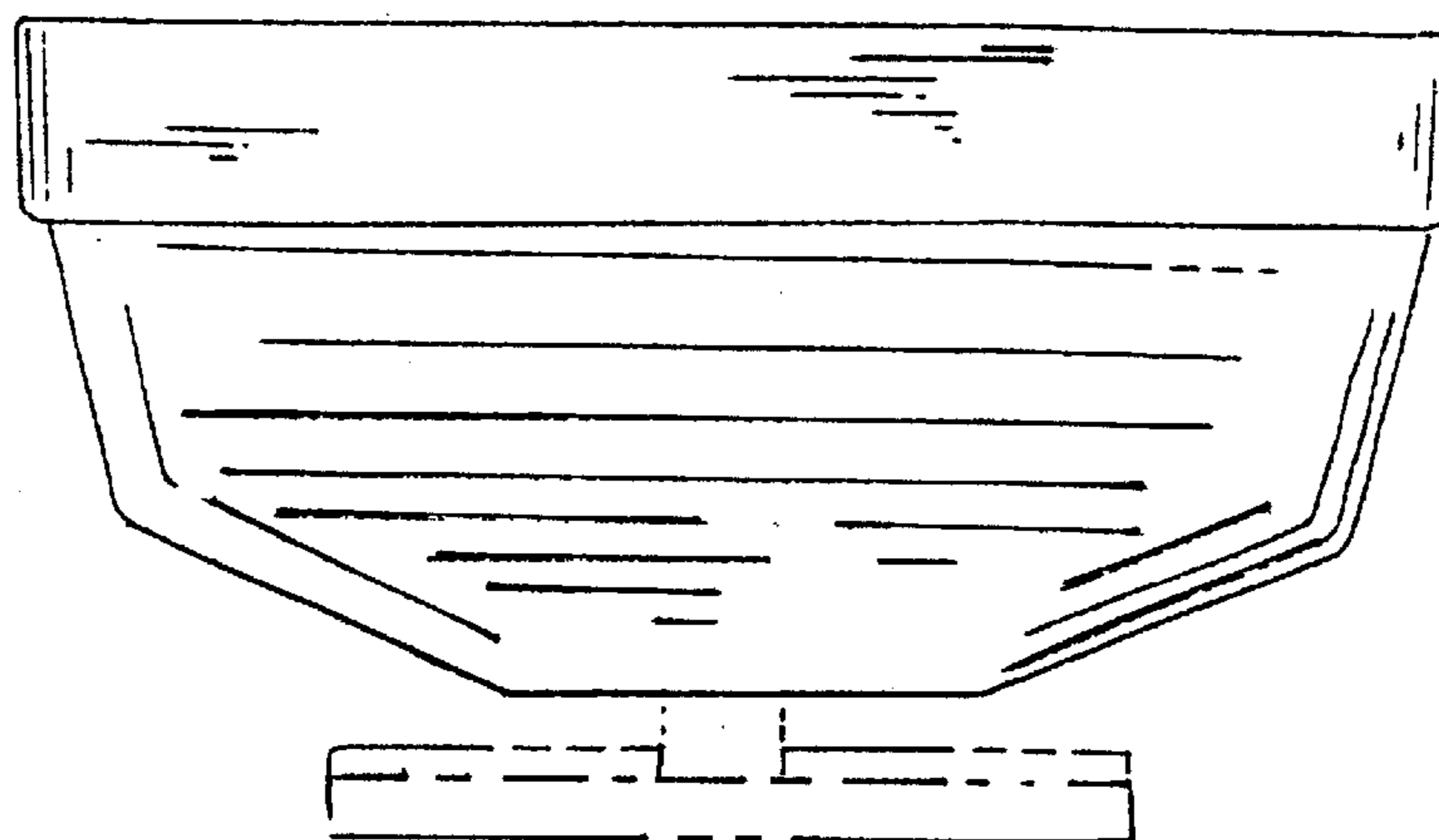


FIG. 7

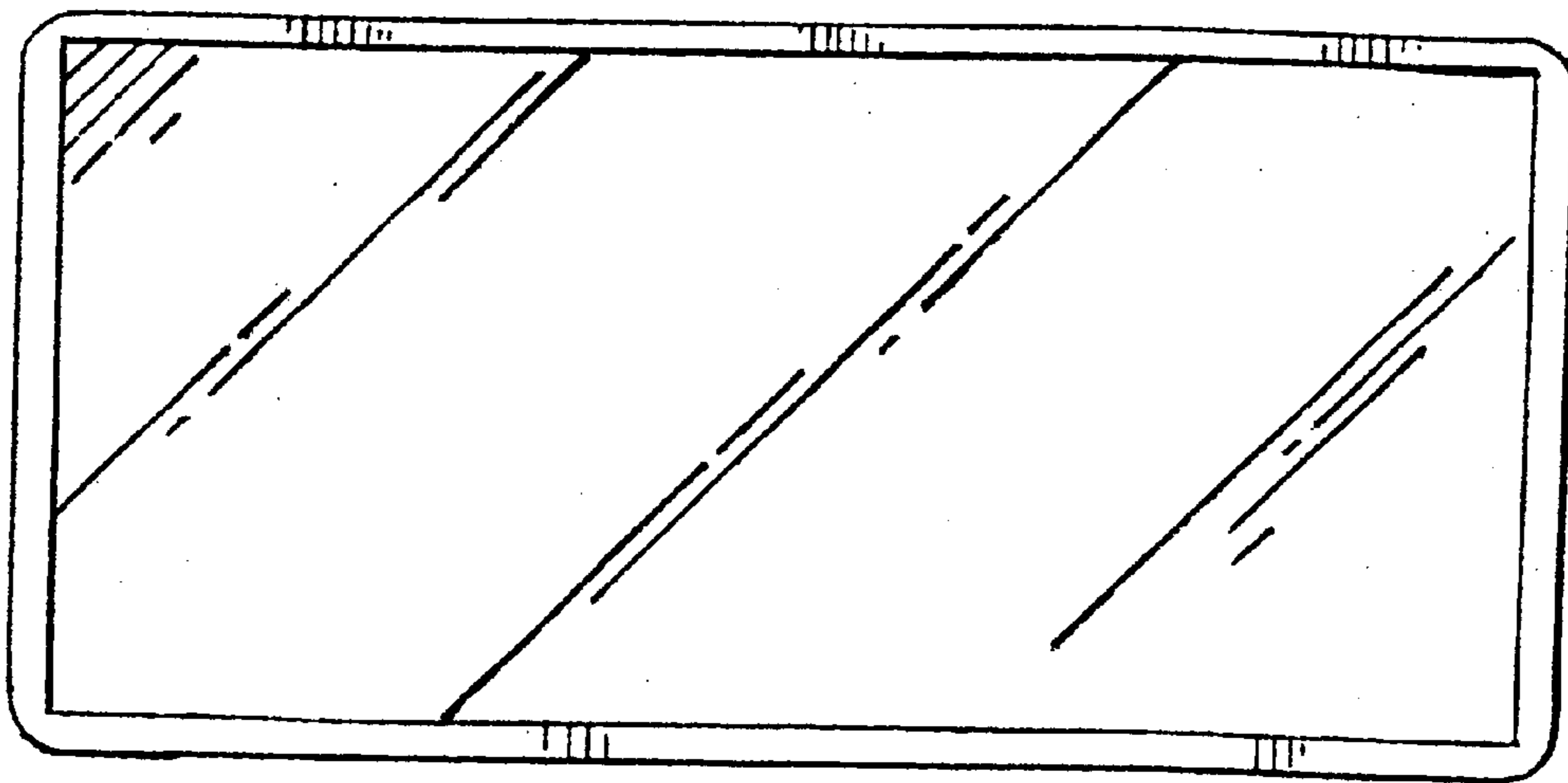
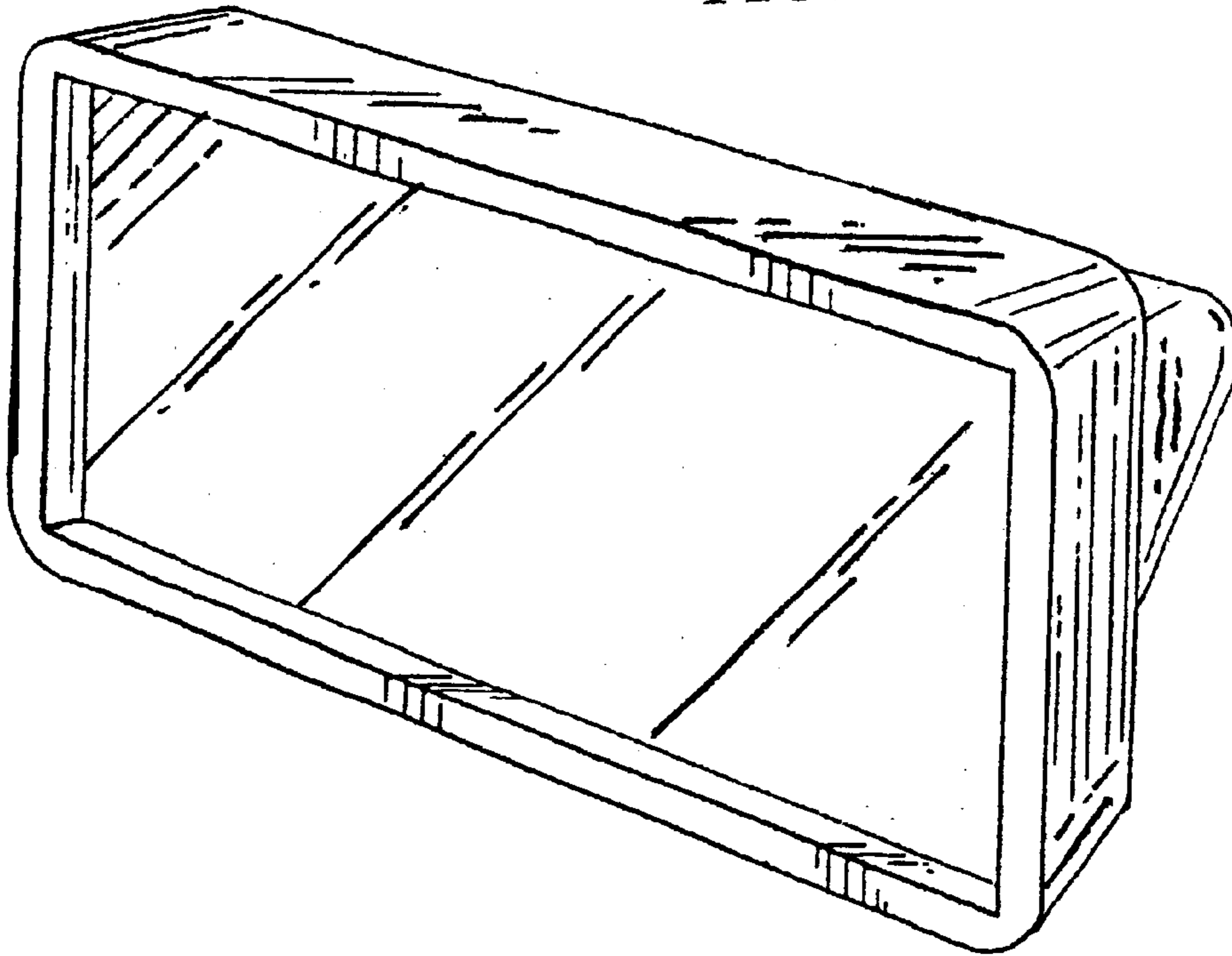


FIG. 8