

US00D499670S

(12) **United States Design Patent**
Eckstedt

(10) **Patent No.:** **US D499,670 S**

(45) **Date of Patent:** **** Dec. 14, 2004**

(54) **MILITARY VEHICLE**

(75) **Inventor:** **Paul D. Eckstedt**, Santa Clara, CA
(US)

(73) **Assignee:** **United Defense LP**, Arlington, VA
(US)

(**) **Term:** **14 Years**

(21) **Appl. No.:** **29/187,954**

(22) **Filed:** **Aug. 7, 2003**

(51) **LOC (7) Cl.** **12-13**

(52) **U.S. Cl.** **D12/12**

(58) **Field of Search** D12/12; 89/36.08,
89/36.09

D251,289 S	*	3/1979	Larson	D12/12
4,174,653 A	*	11/1979	Appelblatt	89/36.08
D267,001 S		11/1982	LeBlanc		
D269,418 S	*	6/1983	Appelblatt et al.	D12/12
D289,389 S	*	4/1987	Picard	D12/12
D308,187 S		5/1990	Ottevaere et al.		
D315,535 S	*	3/1991	Lockhart	D12/12
5,915,292 A	*	6/1999	Abels	89/36.08
D465,435 S		11/2002	Legueu		

* cited by examiner

Primary Examiner—Nelson C. Holtje

(74) *Attorney, Agent, or Firm*—Patterson, Thunte, Skaar & Christensen, P.A.

(57) **CLAIM**

The ornamental design for a military vehicle, as shown and described.

(56) **References Cited**

U.S. PATENT DOCUMENTS

2,871,763 A	*	2/1959	Blomquist	89/36.08
D195,832 S	*	8/1963	Bauer	D12/12
D203,257 S		12/1965	Fox		
D244,922 S		7/1977	Longeau		
D244,999 S	*	7/1977	Longeau	D12/12
D245,000 S	*	7/1977	Longeau	D12/12
D245,156 S		7/1977	Longeau		
D250,942 S	*	1/1979	Appelblatt	D12/12

DESCRIPTION

FIG. 1 is a perspective view of the military vehicle of the present invention.

FIG. 2 is a front view of the military vehicle.

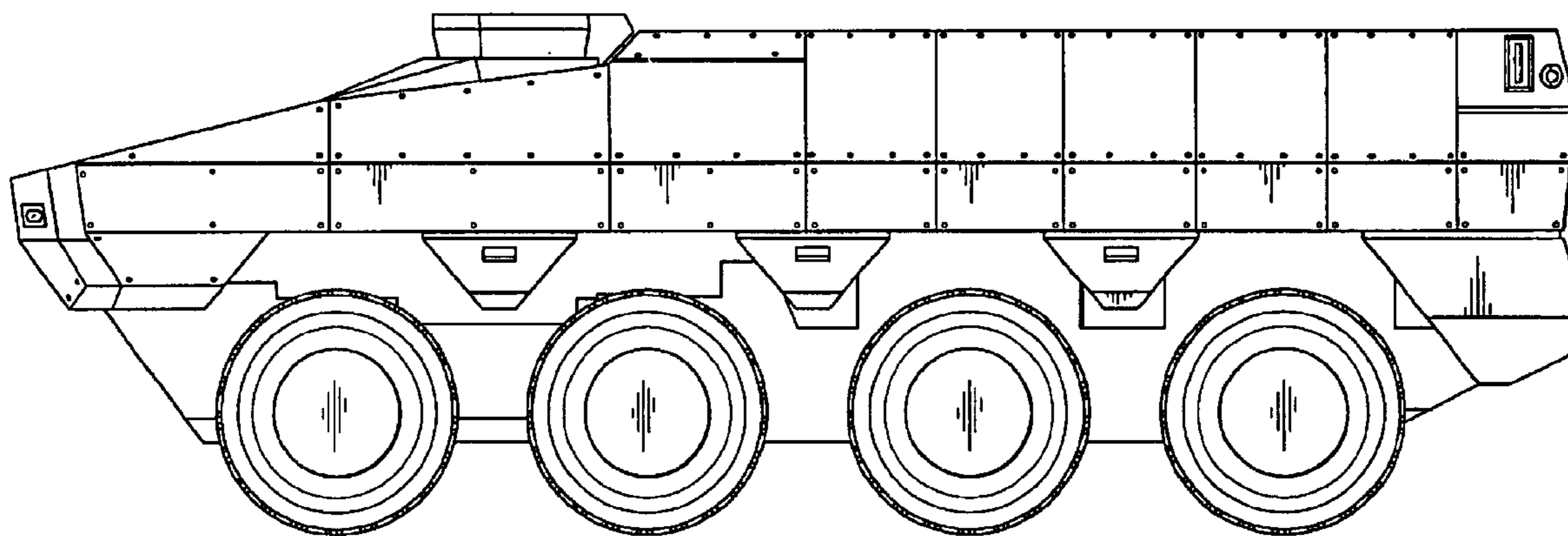
FIG. 3 is a rear view of the military vehicle.

FIG. 4 is a left side view of the military vehicle.

FIG. 5 is a top side view of the military vehicle; and,

FIG. 6 is a bottom side view of the military vehicle.

1 Claim, 5 Drawing Sheets



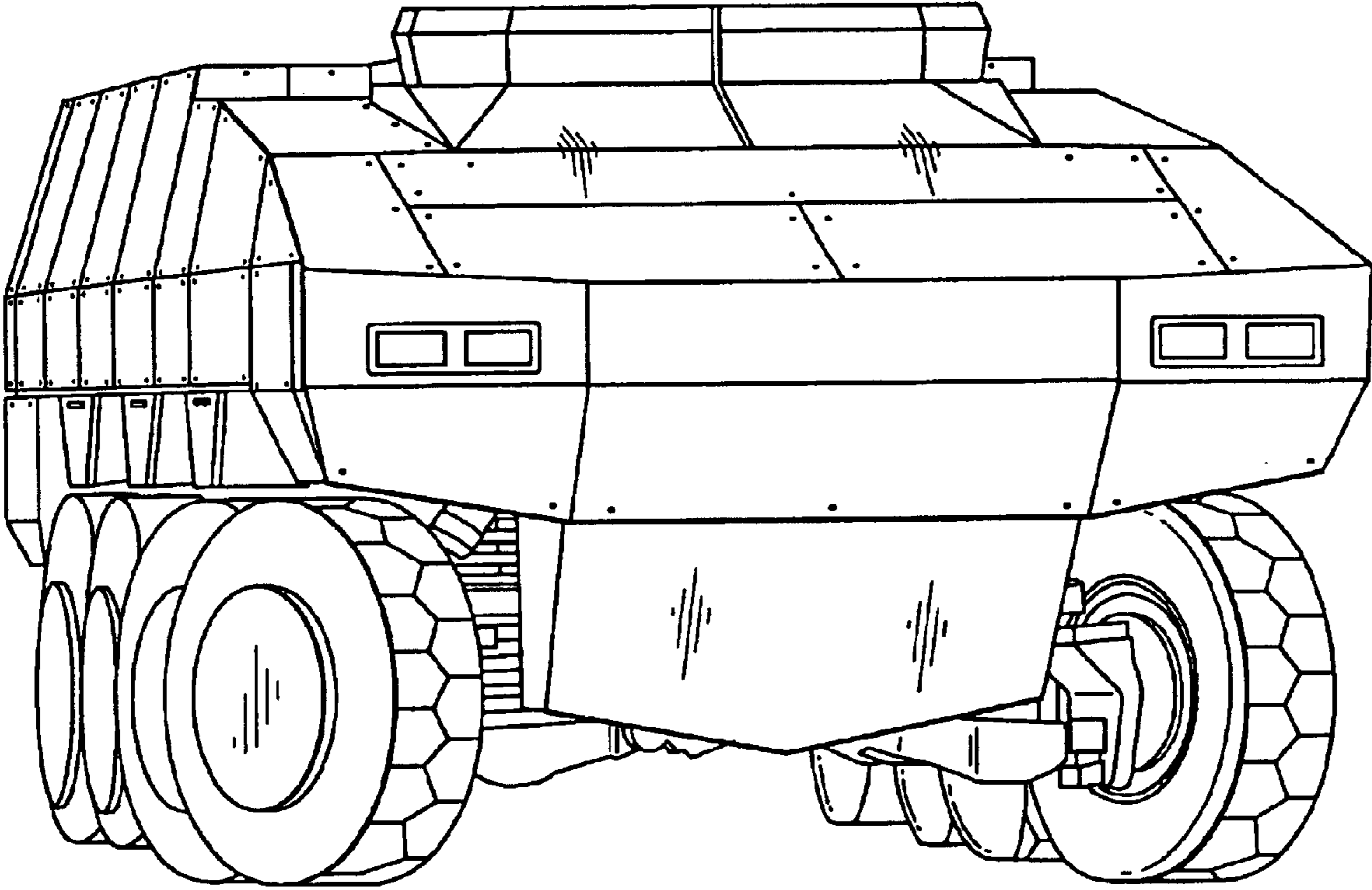


FIG. 1

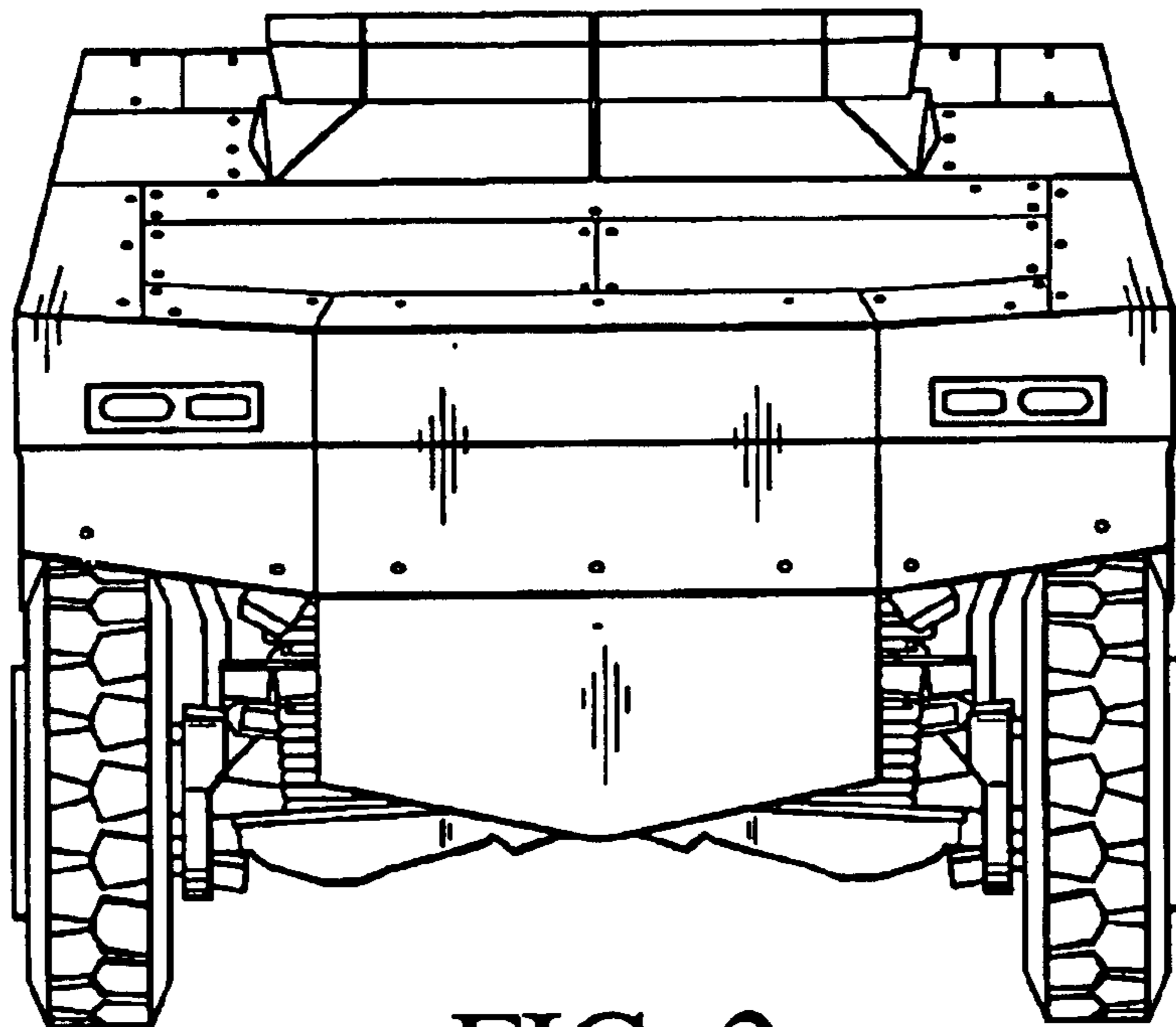


FIG. 2

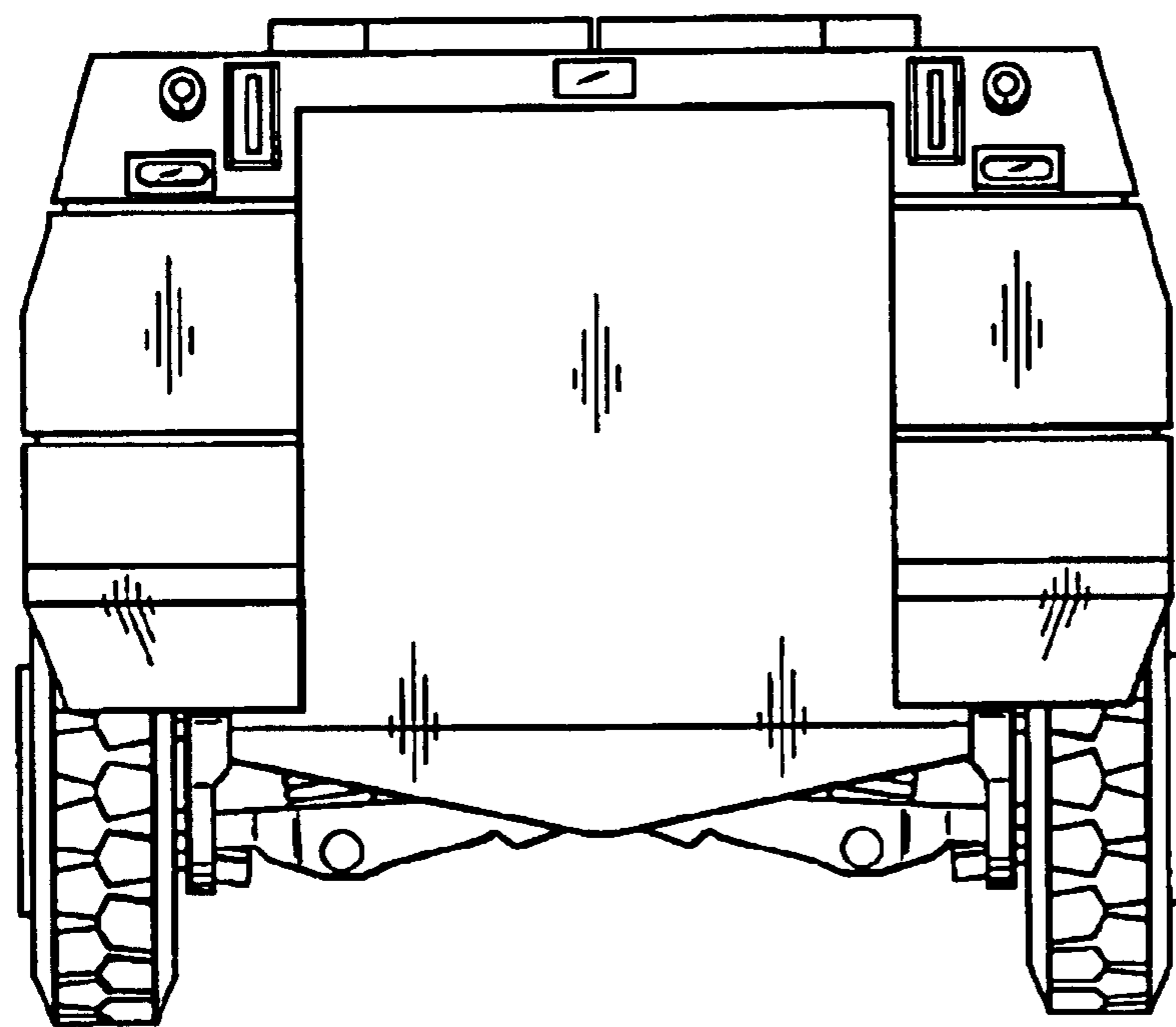


FIG. 3

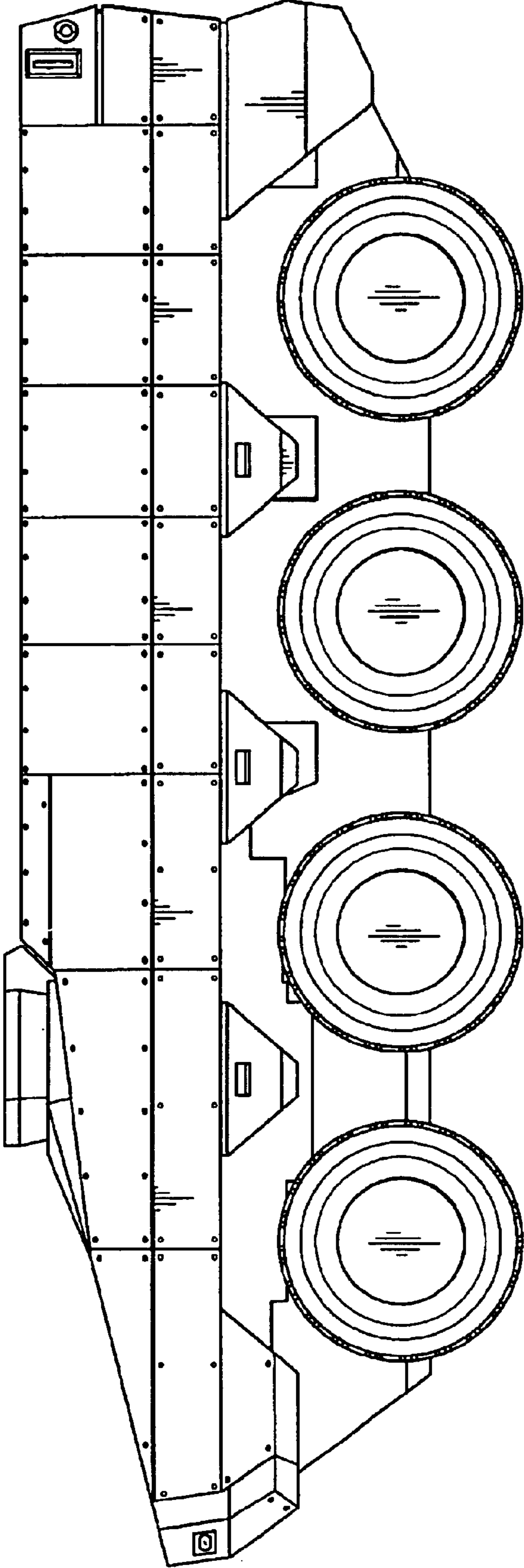


FIG. 4

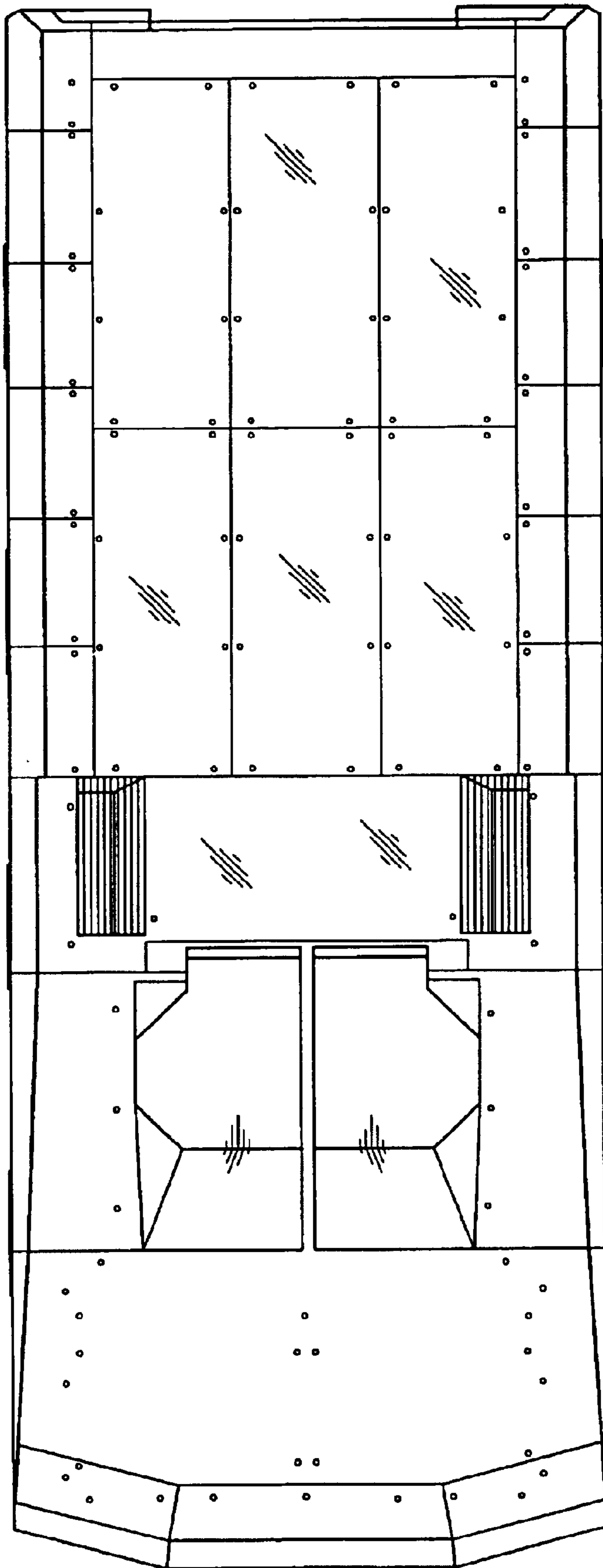


FIG. 5

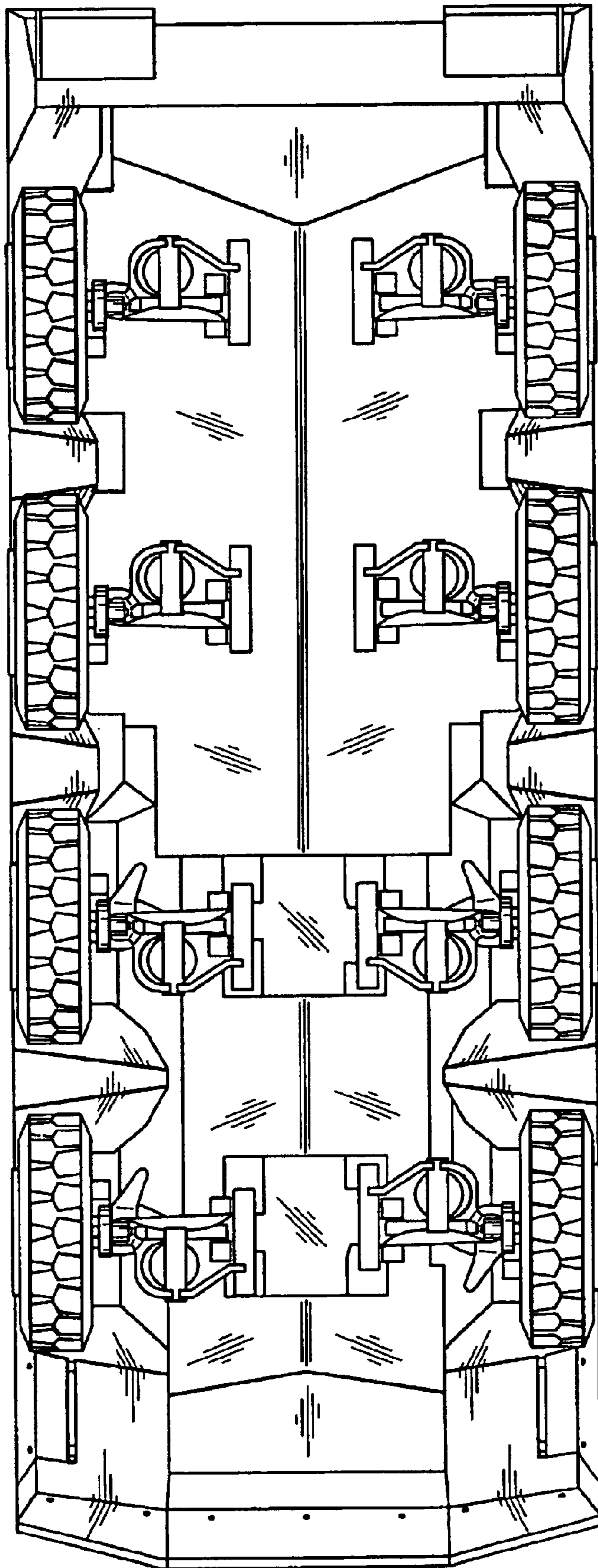


FIG. 6