

US00D499660S

(12) **United States Design Patent**  
**Noel**

(10) **Patent No.:** **US D499,660 S**

(45) **Date of Patent:** **\*\* Dec. 14, 2004**

(54) **RING**

(76) **Inventor:** **Phares A. Noel**, 2435 W. Boston Blvd.,  
Detroit, MI (US) 48206

(\*\*) **Term:** **14 Years**

(21) **Appl. No.:** **29/190,767**

(22) **Filed:** **Sep. 25, 2003**

(51) **LOC (7) Cl.** ..... **11-01**

(52) **U.S. Cl.** ..... **D11/26**

(58) **Field of Search** ..... D11/3, 26-39;  
63/3, 1.11, 1.12, 12, 15, 15.1, 15.2-15.3,  
15.4, 15.45, 15.5-15.6, 15.65, 15.7-15.8,  
15.9, 26, 27-28, 39

(56) **References Cited**

**U.S. PATENT DOCUMENTS**

D52,014 S	*	5/1918	Whitehouse	.....	D11/38
D61,614 S	*	10/1922	Weinberg	.....	D11/34
D72,072 S	*	2/1927	Pels	.....	D11/38
D241,765 S	*	10/1976	Newcomb	.....	D11/29
D253,942 S	*	1/1980	Barr	.....	D11/34
D262,953 S	*	2/1982	Bogner et al.	.....	D11/38

D313,369 S	*	1/1991	Bulgari	.....	D11/38
D332,236 S	*	1/1993	Jakeway	.....	D11/27
D337,543 S	*	7/1993	Caldow	.....	D11/26
D345,715 S	*	4/1994	Hundt	.....	D11/26
D406,246 S	*	3/1999	Bulgari	.....	D11/26

\* cited by examiner

*Primary Examiner*—Cathy Anne MacCormac

(74) *Attorney, Agent, or Firm*—Cantor Colburn LLP

(57) **CLAIM**

The ornamental design for a ring, as shown and described.

**DESCRIPTION**

FIG. 1 is a rear perspective view of a ring showing my new design;

FIG. 2 is a front perspective view thereof;

FIG. 3 is a rear view thereof;

FIG. 4 is a front view thereof;

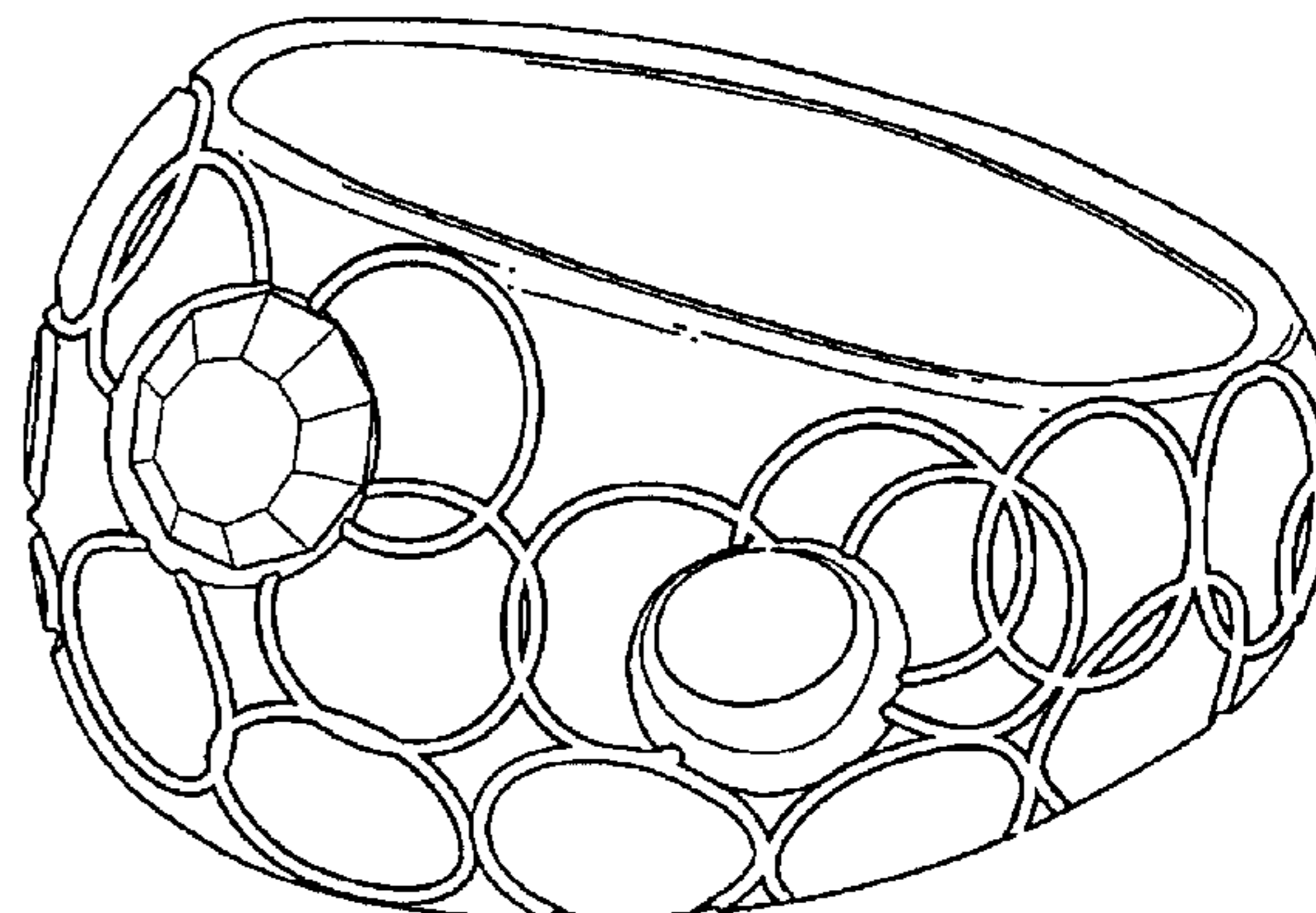
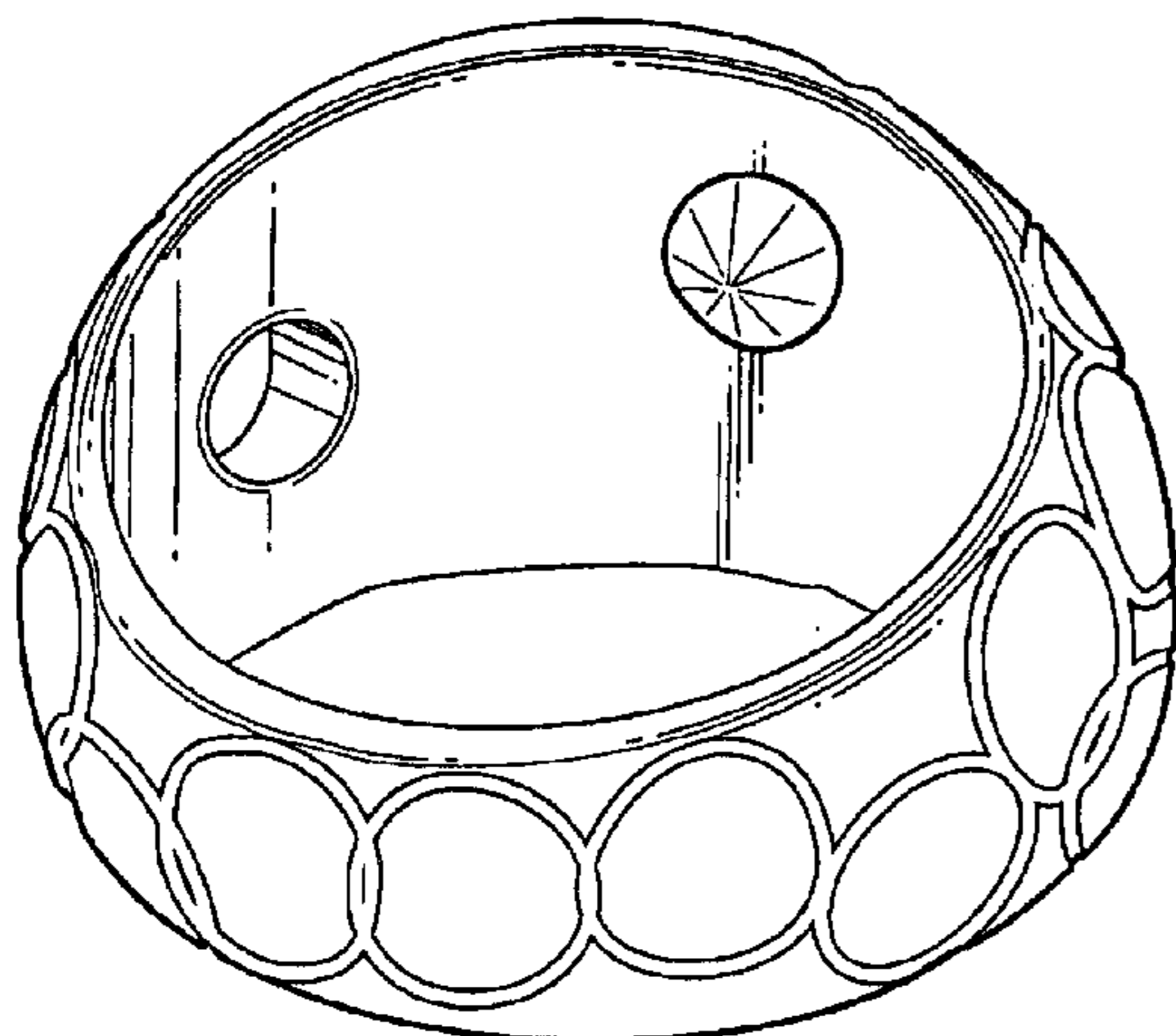
FIG. 5 is a right side view thereof;

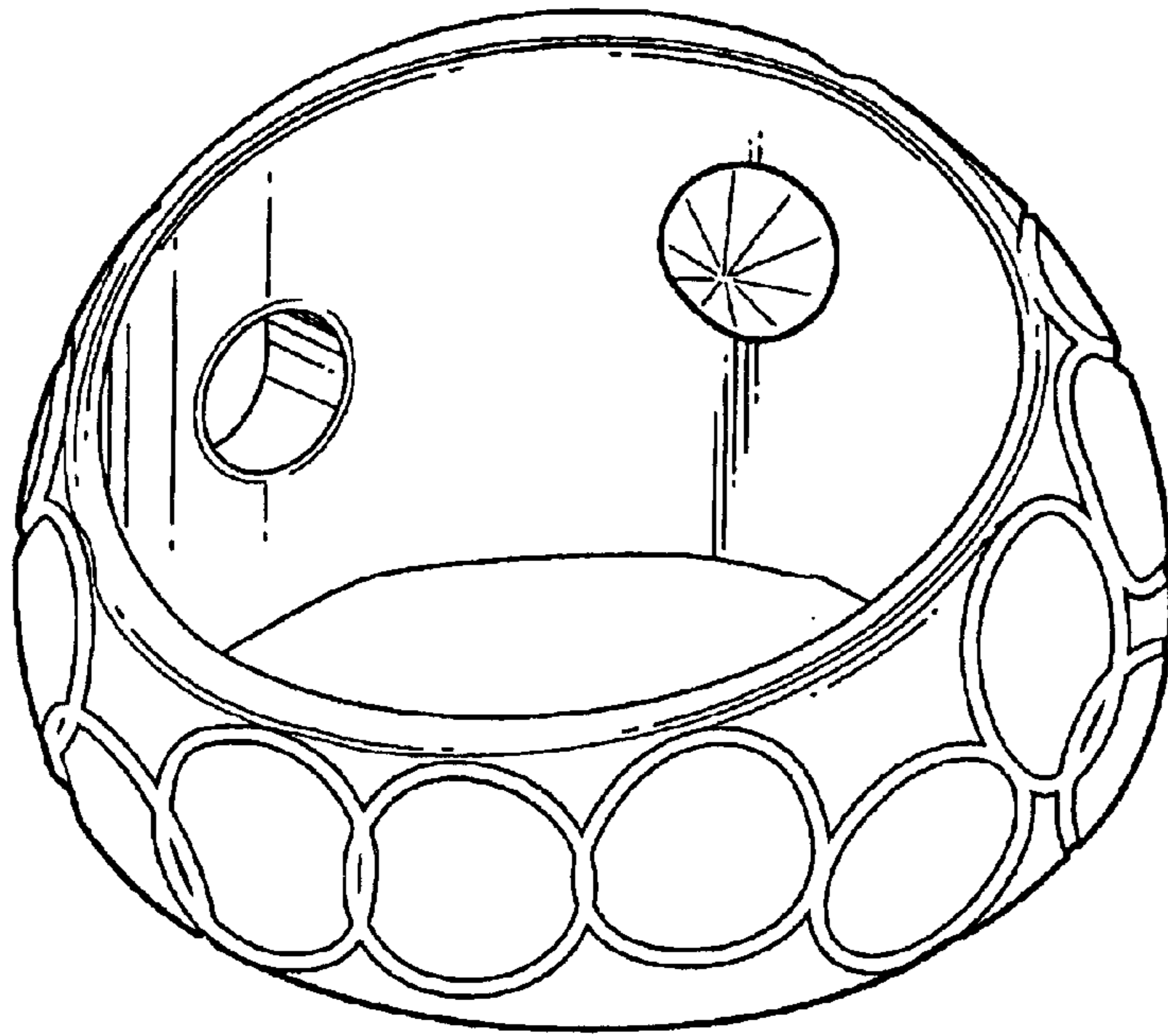
FIG. 6 is a left side view thereof;

FIG. 7 is a top view thereof; and,

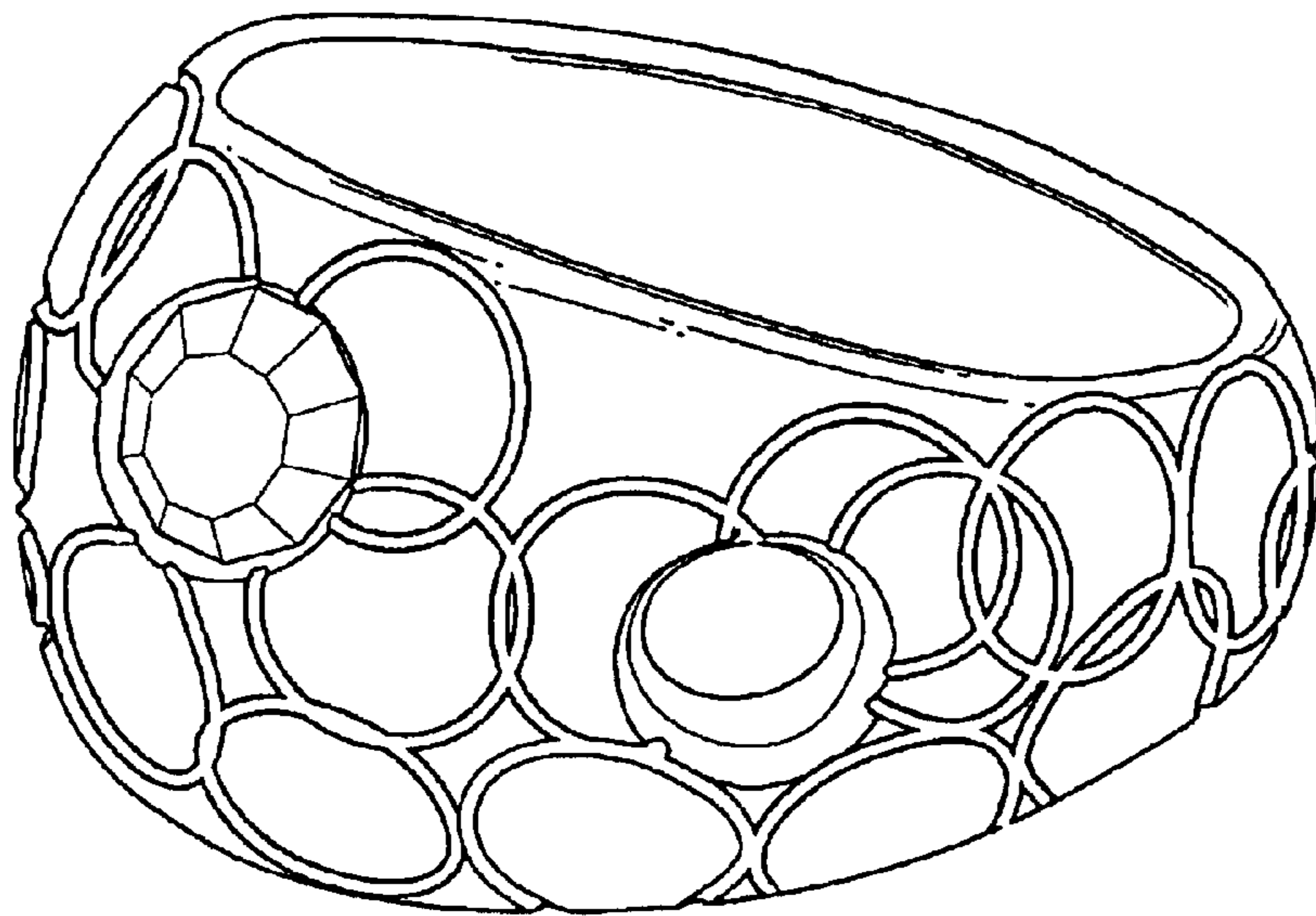
FIG. 8 is a bottom view thereof.

**1 Claim, 3 Drawing Sheets**

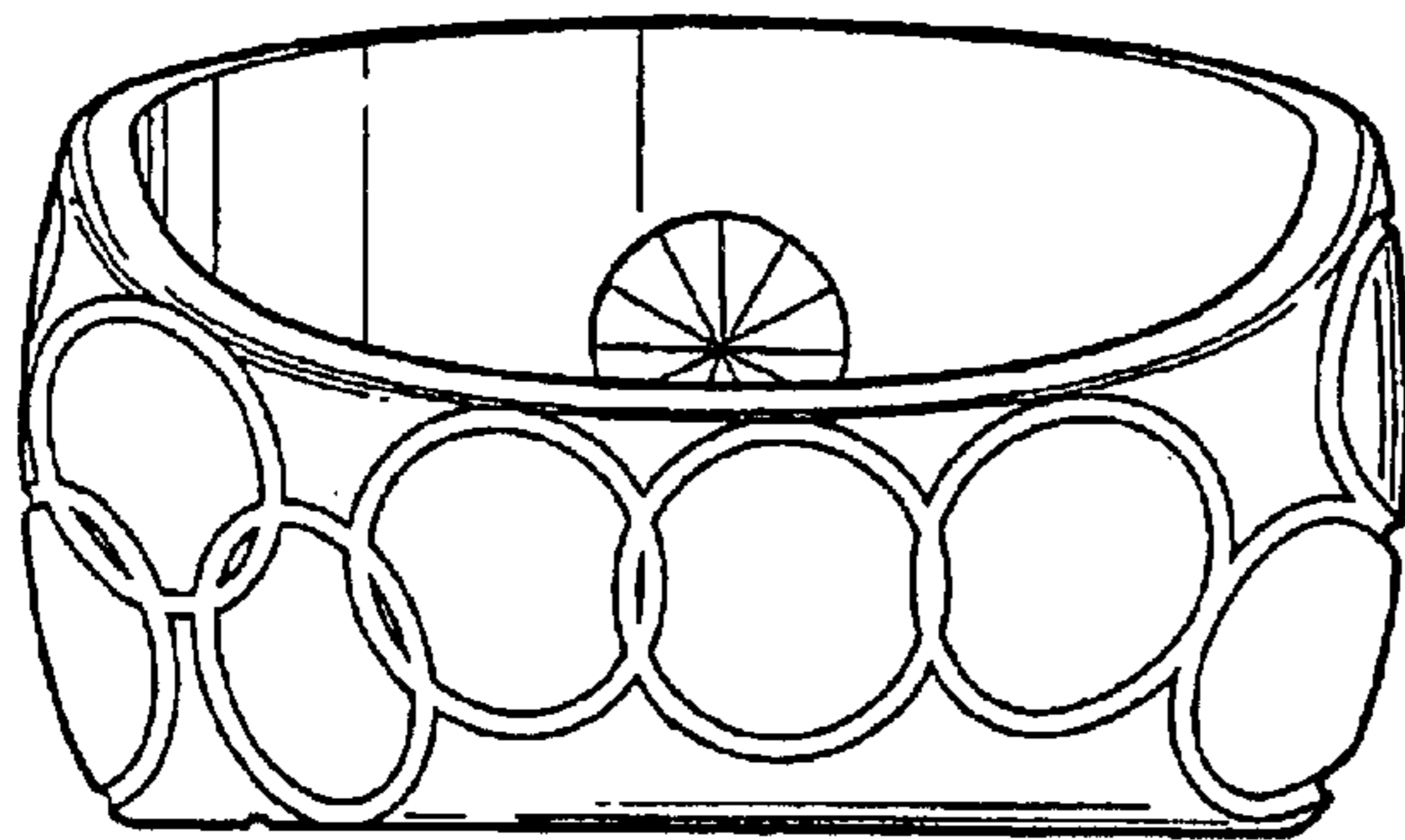




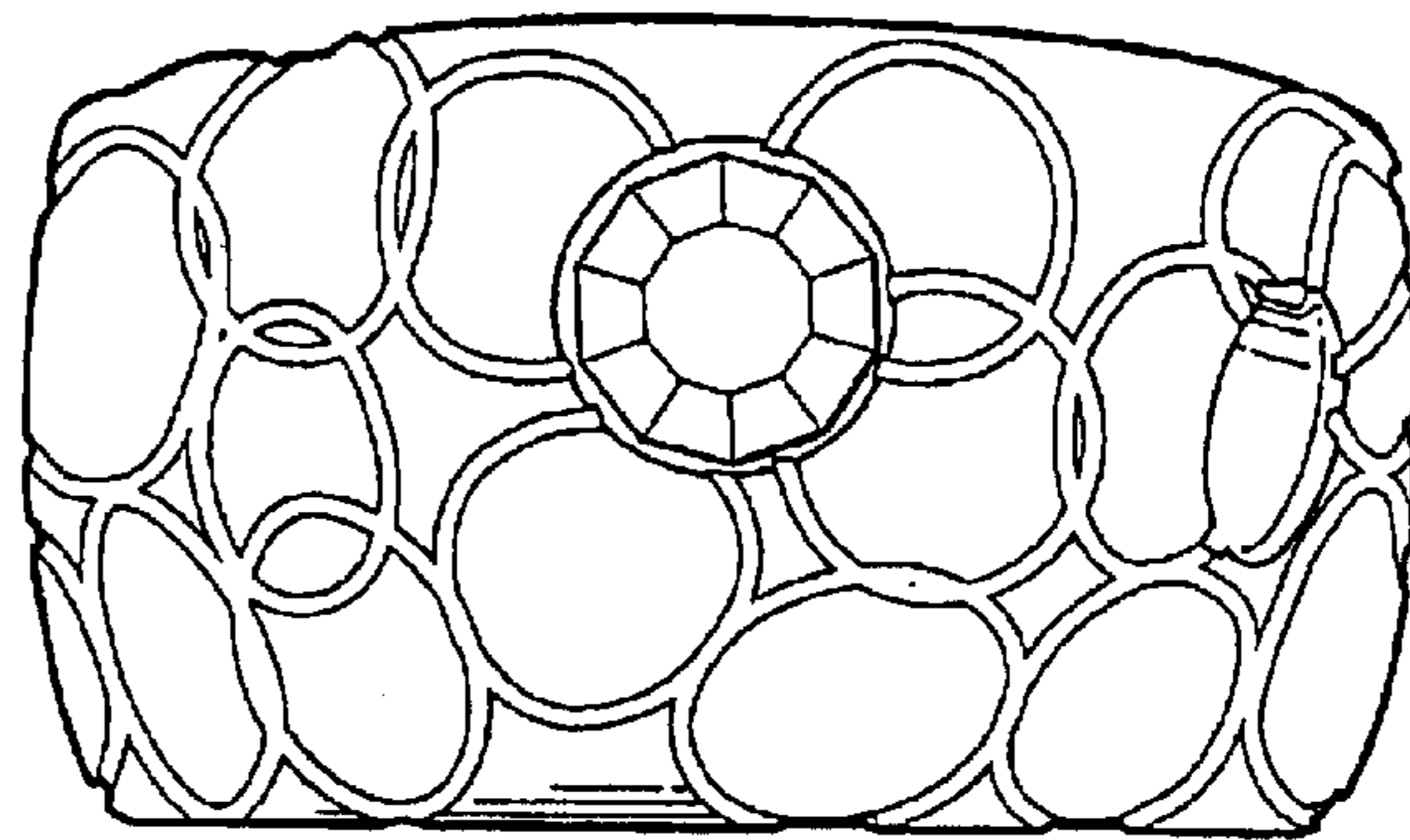
**FIG - 1**



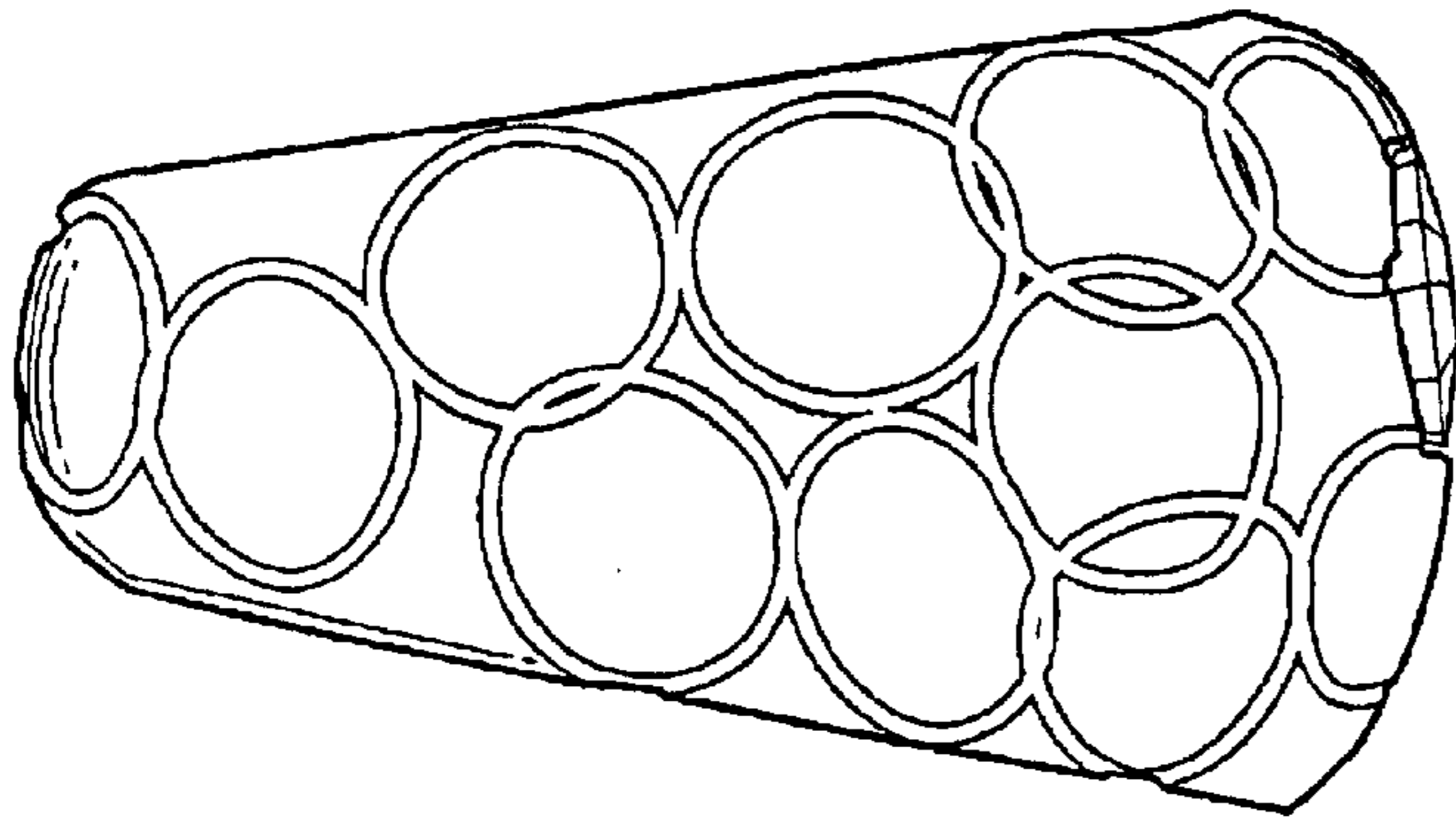
**FIG - 2**



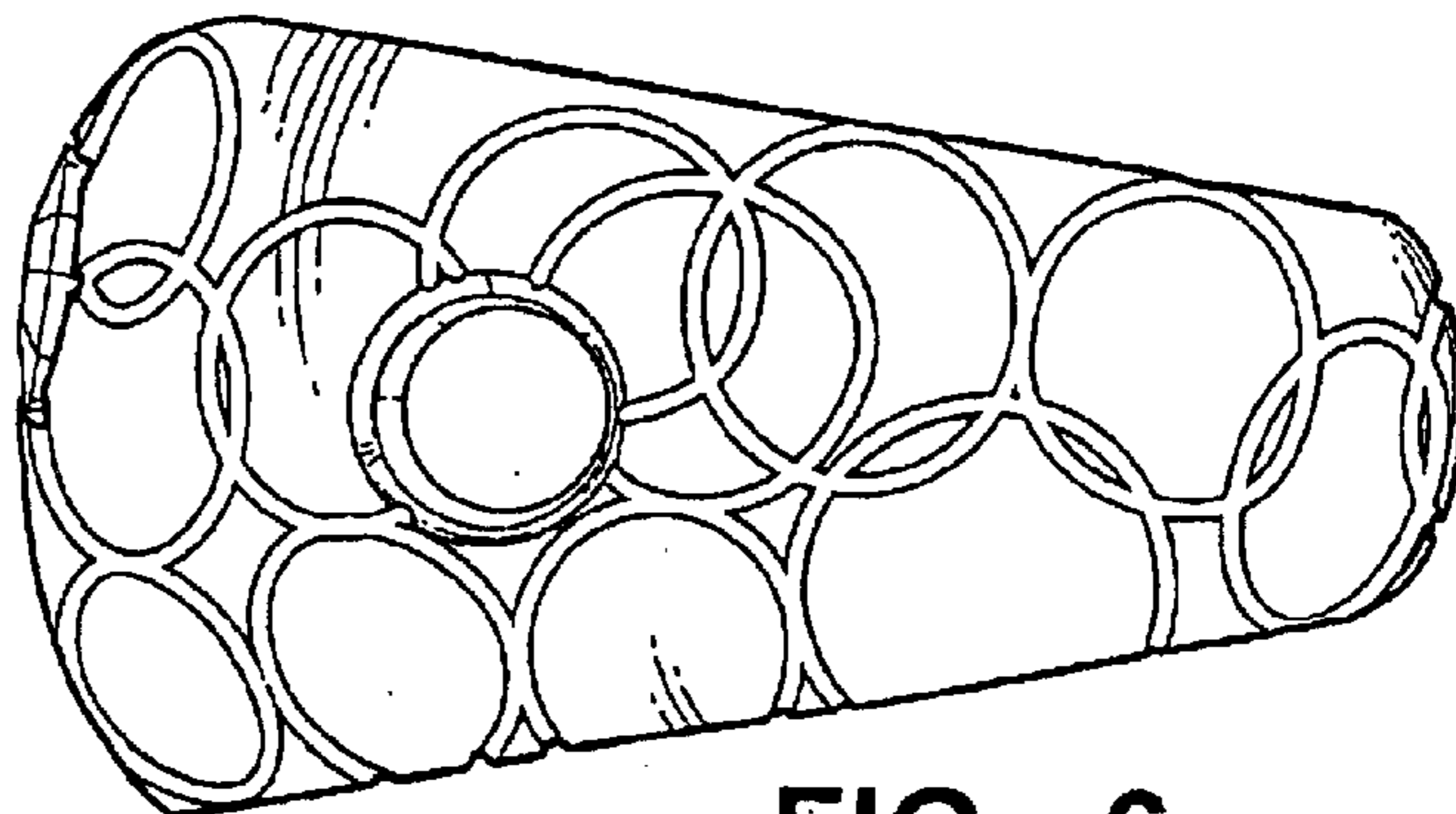
**FIG - 3**



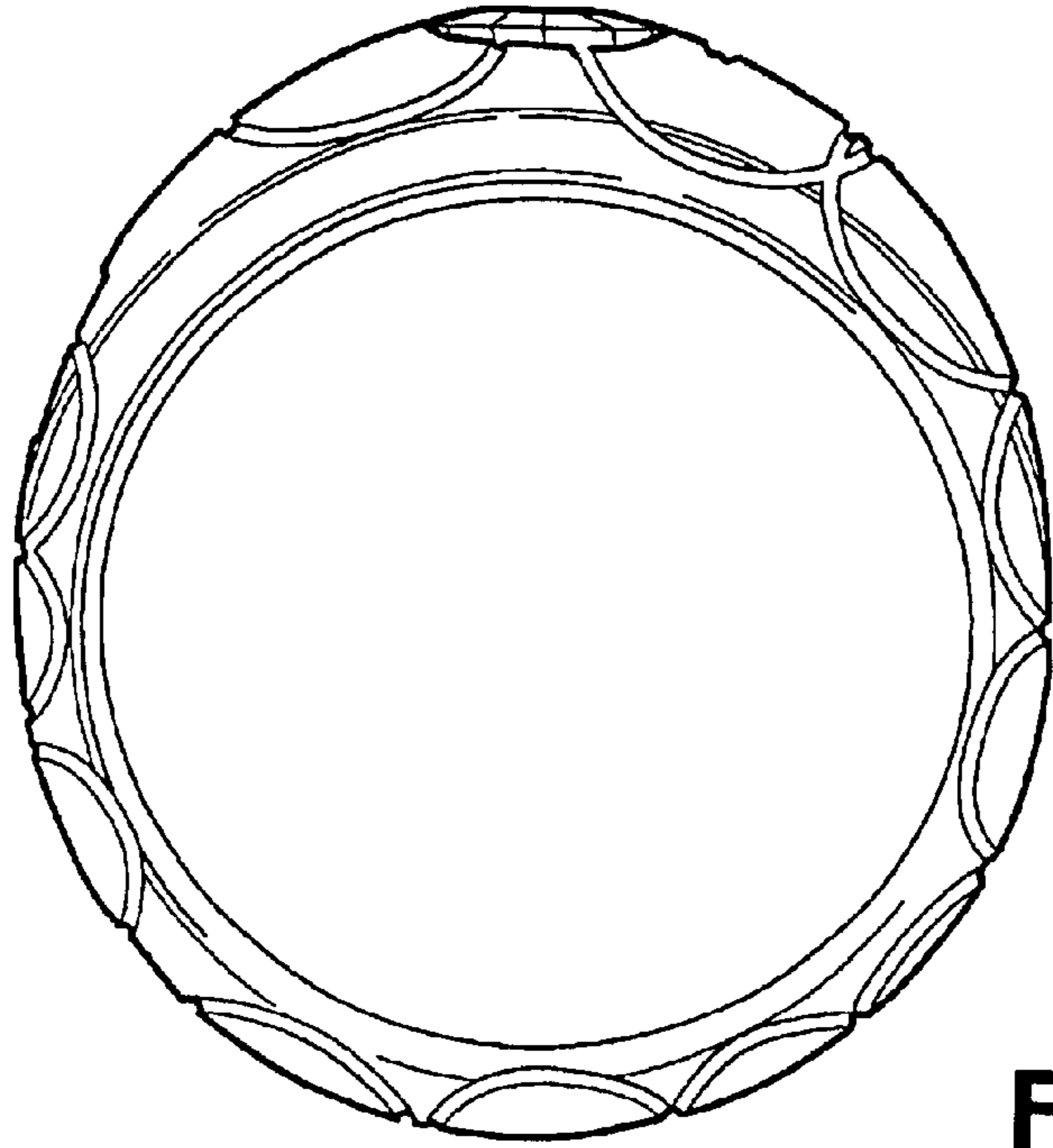
**FIG - 4**



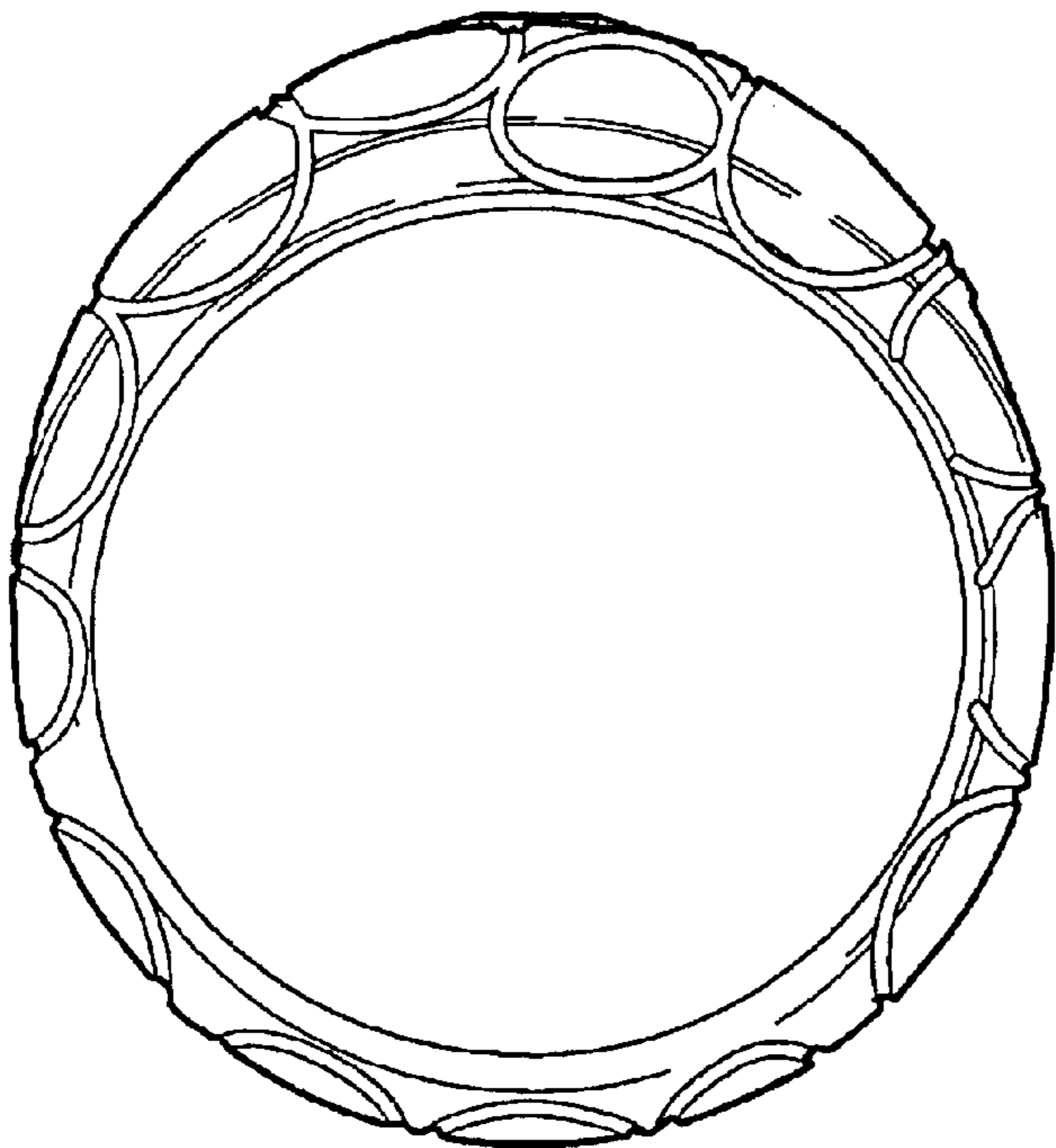
**FIG - 5**



**FIG - 6**



**FIG - 7**



**FIG - 8**