

US00D499658S

(12) **United States Design Patent**
Wrisley

(10) **Patent No.:** **US D499,658 S**

(45) **Date of Patent:** **** Dec. 14, 2004**

(54) **WAVEFORM GENERATOR**

(75) **Inventor:** **Jerry L. Wrisley, Beaverton, OR (US)**

(73) **Assignee:** **Tektronix, Inc., Beaverton, OR (US)**

(**) **Term:** **14 Years**

(21) **Appl. No.:** **29/204,620**

(22) **Filed:** **Apr. 30, 2004**

(51) **LOC (7) Cl. 10-04**

(52) **U.S. Cl. D10/76**

(58) **Field of Search** D10/76, 78, 80;
324/102, 112, 121 R; 340/734, 747, 798;
354/487

(56) **References Cited**

U.S. PATENT DOCUMENTS

- D413,823 S * 9/1999 Dobyns et al. D10/76
- D420,607 S * 2/2000 Wrisley et al.
- D460,371 S * 7/2002 Wrisley et al. D10/78
- D460,703 S * 7/2002 Wrisley et al. D10/78
- 6,437,552 B1 * 8/2002 Sekel et al. 324/72.5

D472,171 S * 3/2003 Wrisley et al. D10/76

* cited by examiner

Primary Examiner—Antoine D. Davis

(74) *Attorney, Agent, or Firm*—William K. Bucher

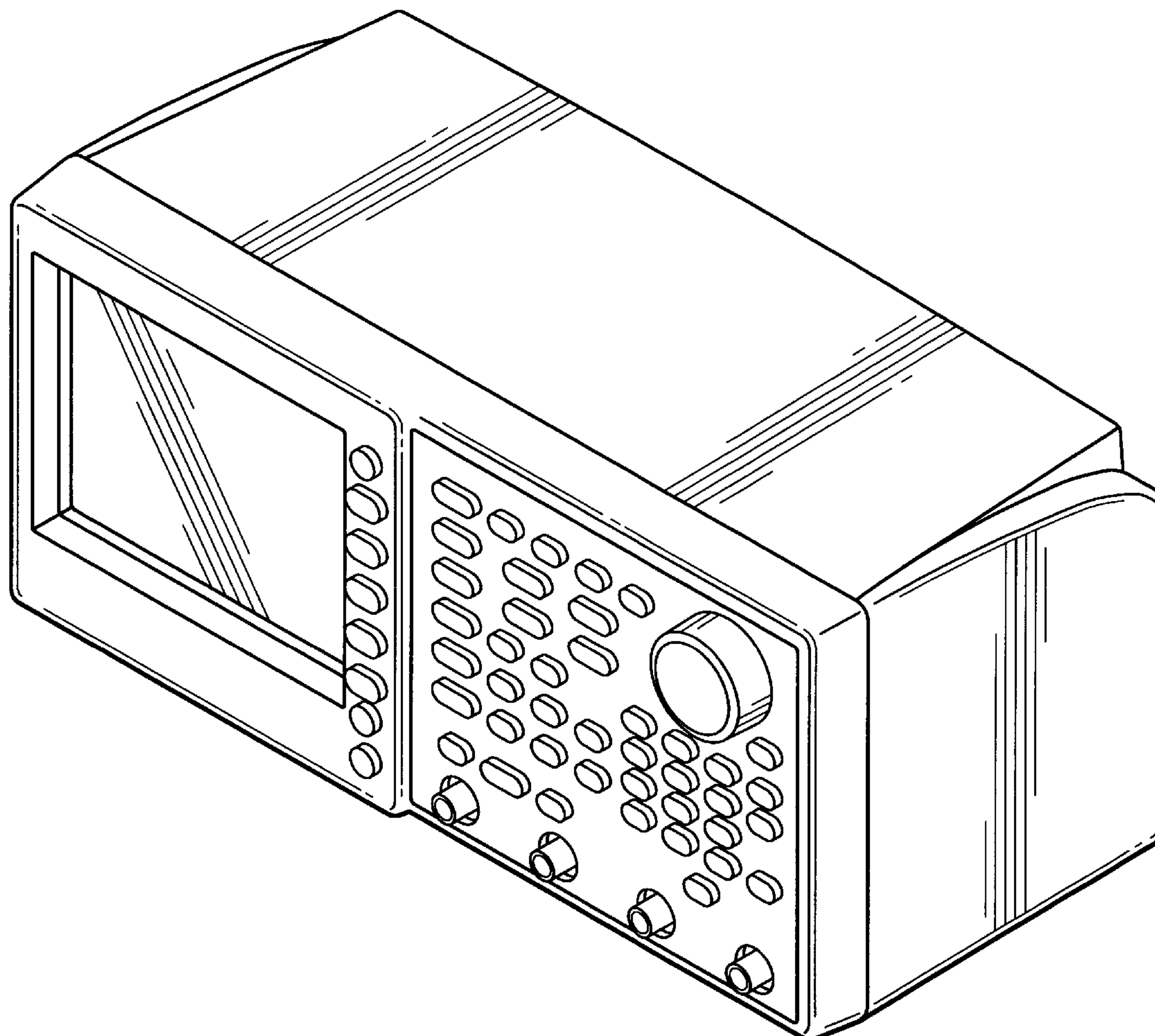
(57) **CLAIM**

The ornamental design of a waveform generator, as shown and described.

DESCRIPTION

FIG. 1 is a perspective view of a waveform generator;
 FIG. 2 is a front elevation view of the waveform generator;
 FIG. 3 is a left side elevation view of the waveform generator;
 FIG. 4 is a right side elevation view of the waveform generator;
 FIG. 5 is a top plan view of the waveform generator;
 FIG. 6 is a bottom plan view of the waveform generator;
 and,
 FIG. 7 is a rear elevation view of the waveform generator.

1 Claim, 6 Drawing Sheets



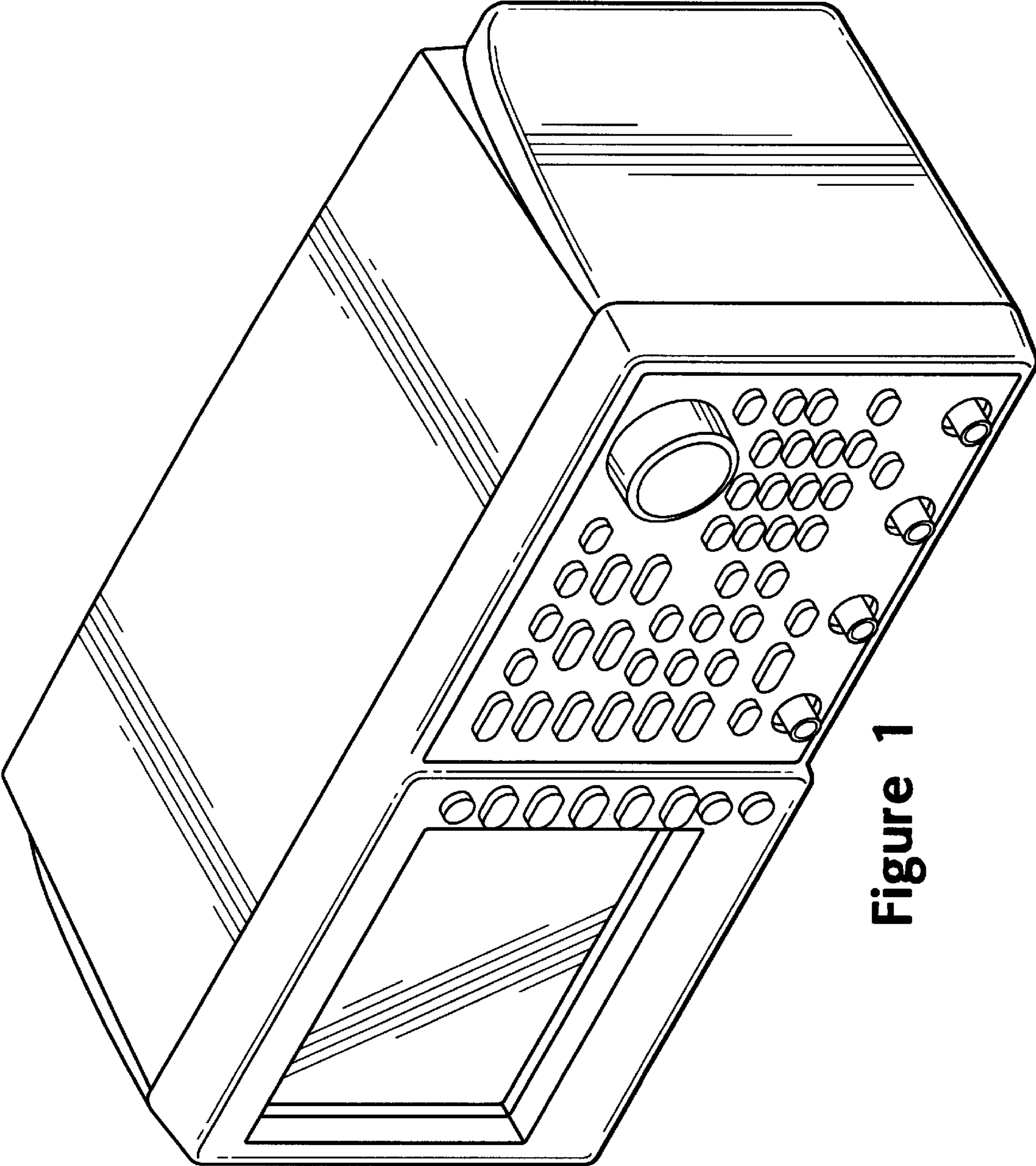


Figure 1

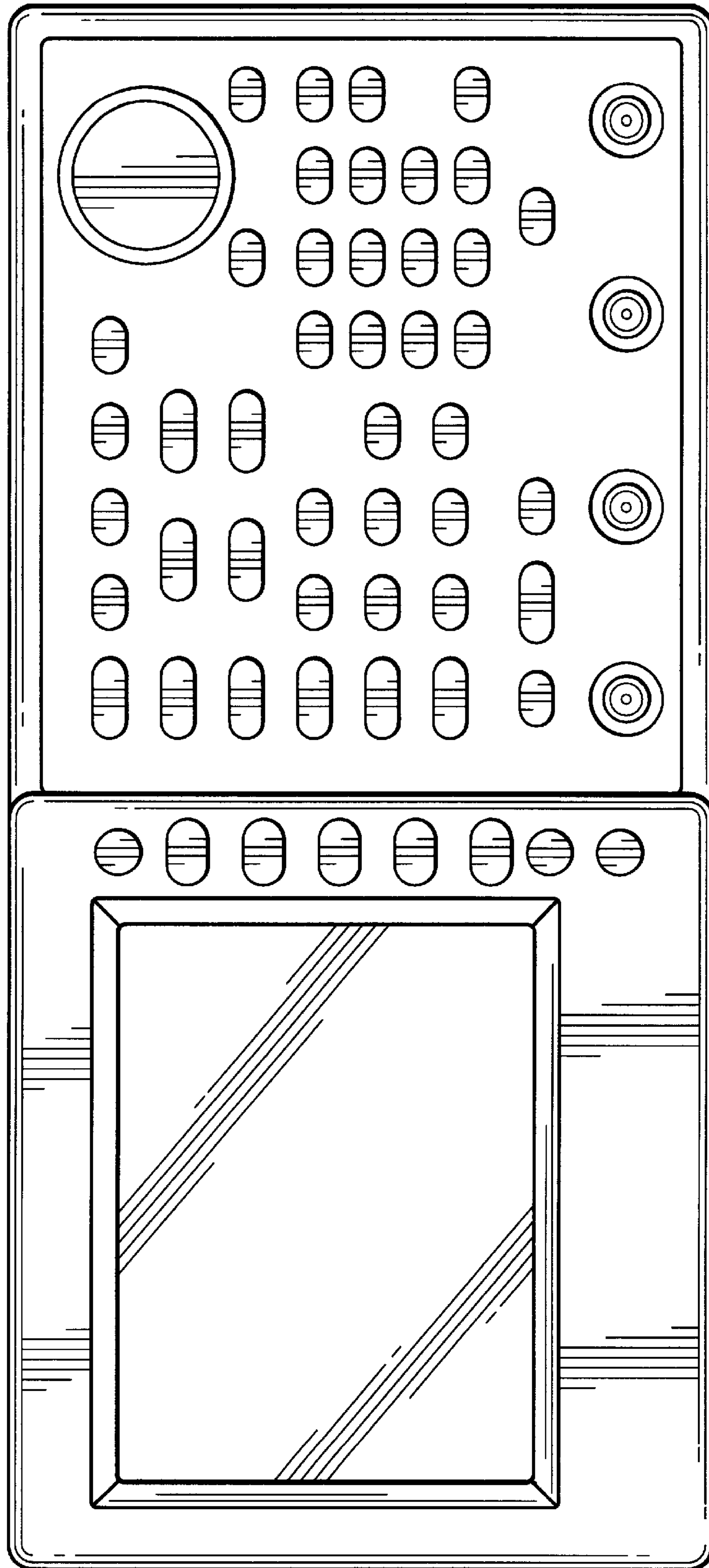


Figure 2

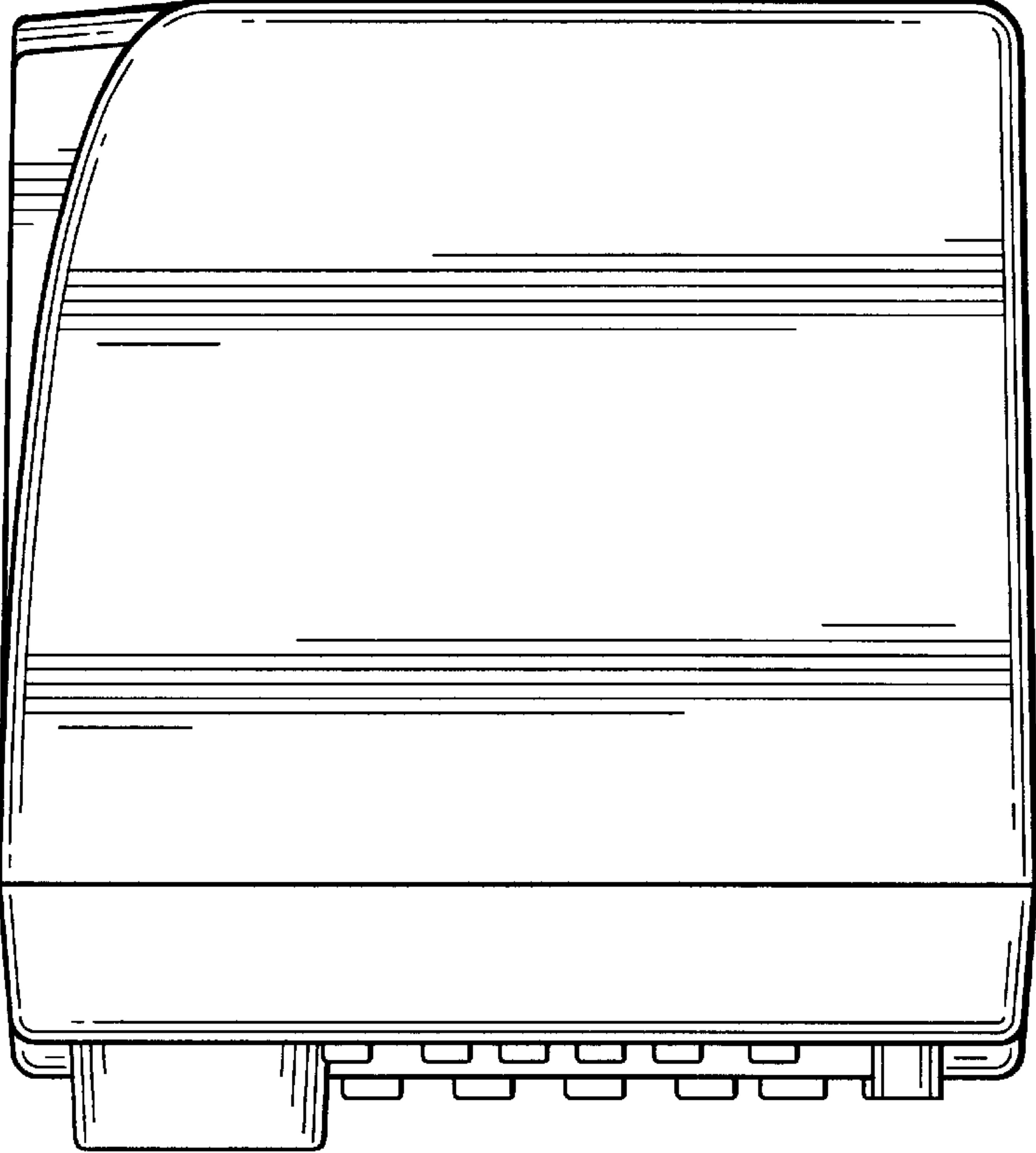


Figure 4

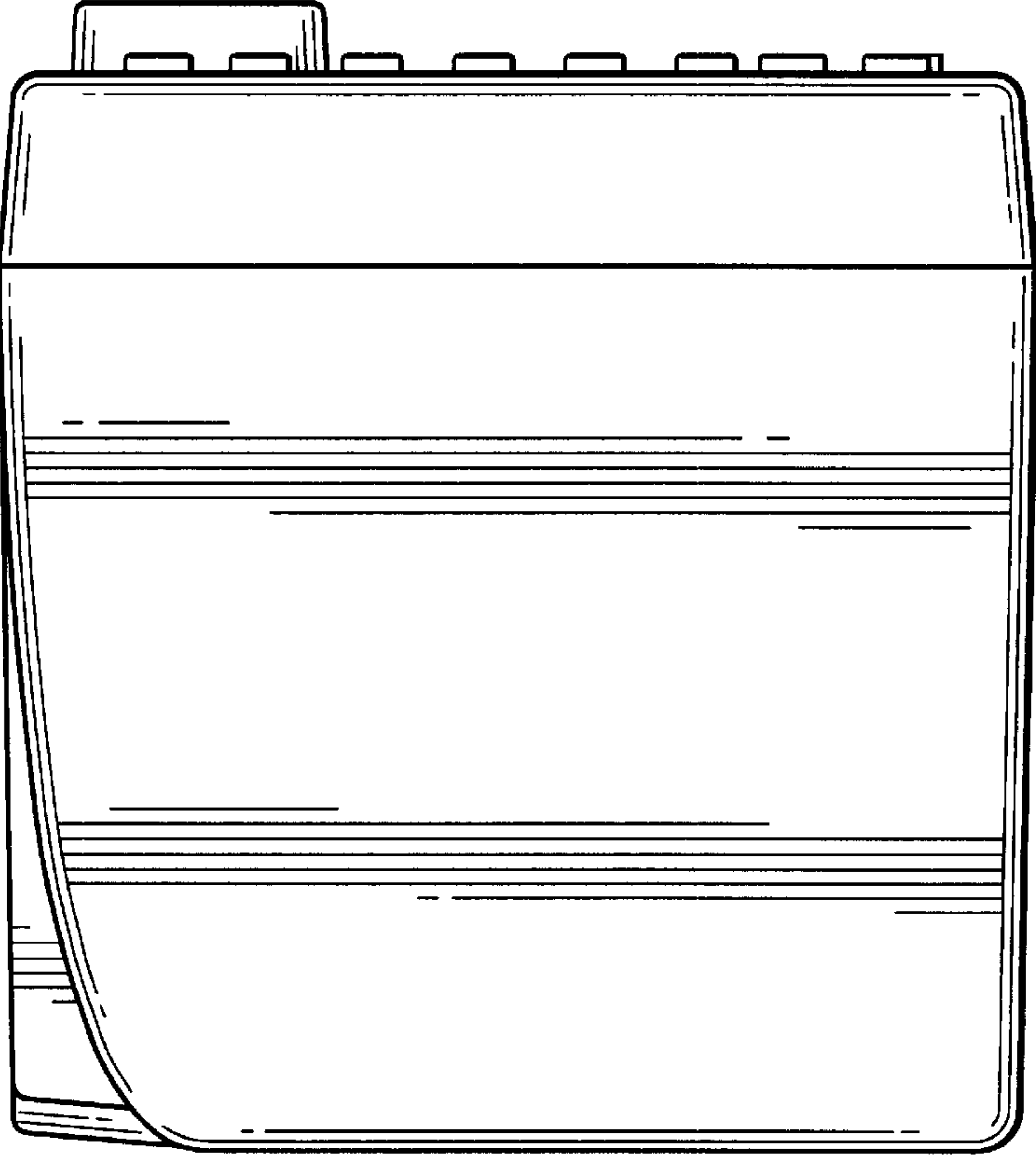


Figure 3

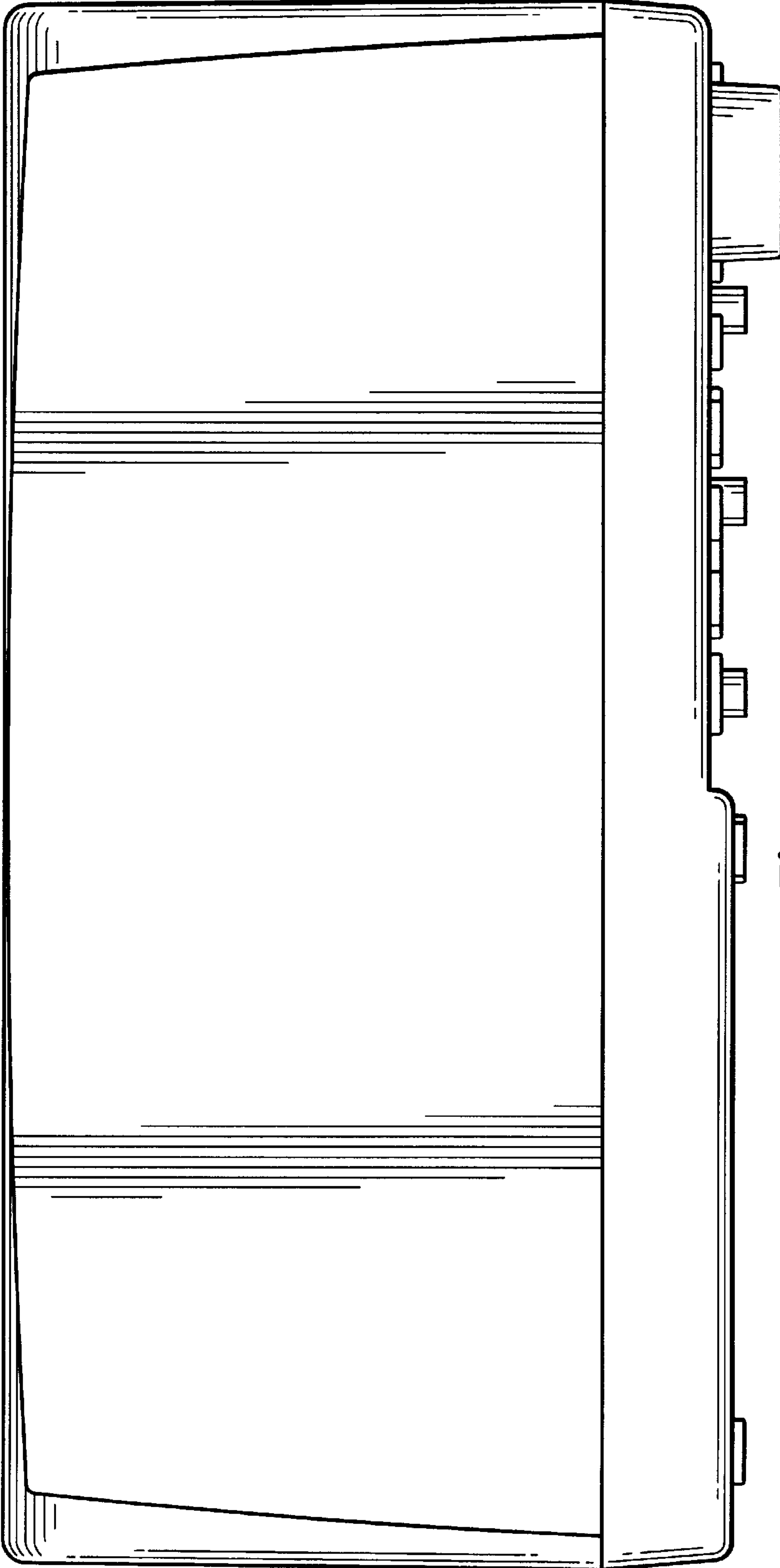


Figure 5

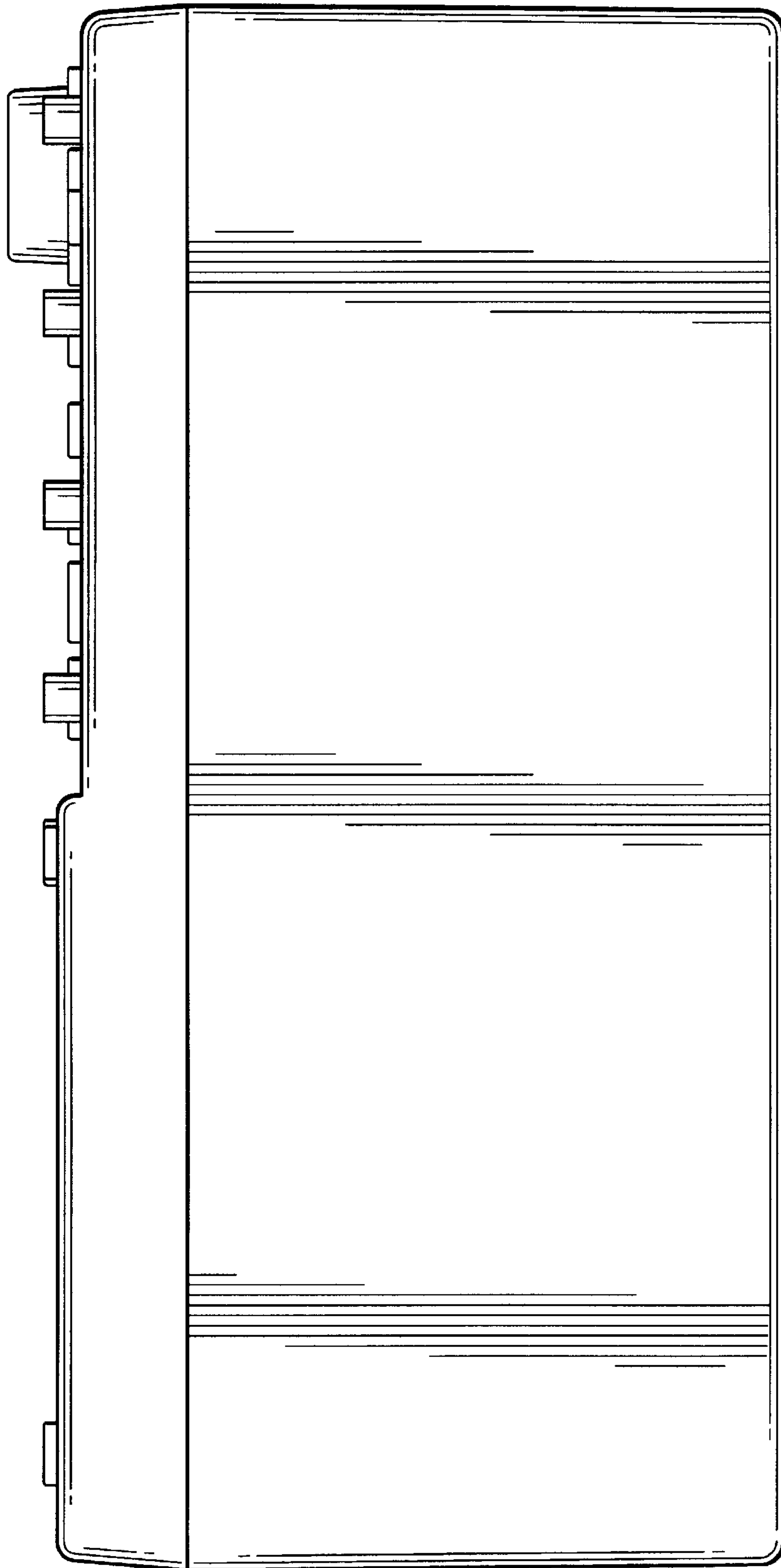


Figure 6

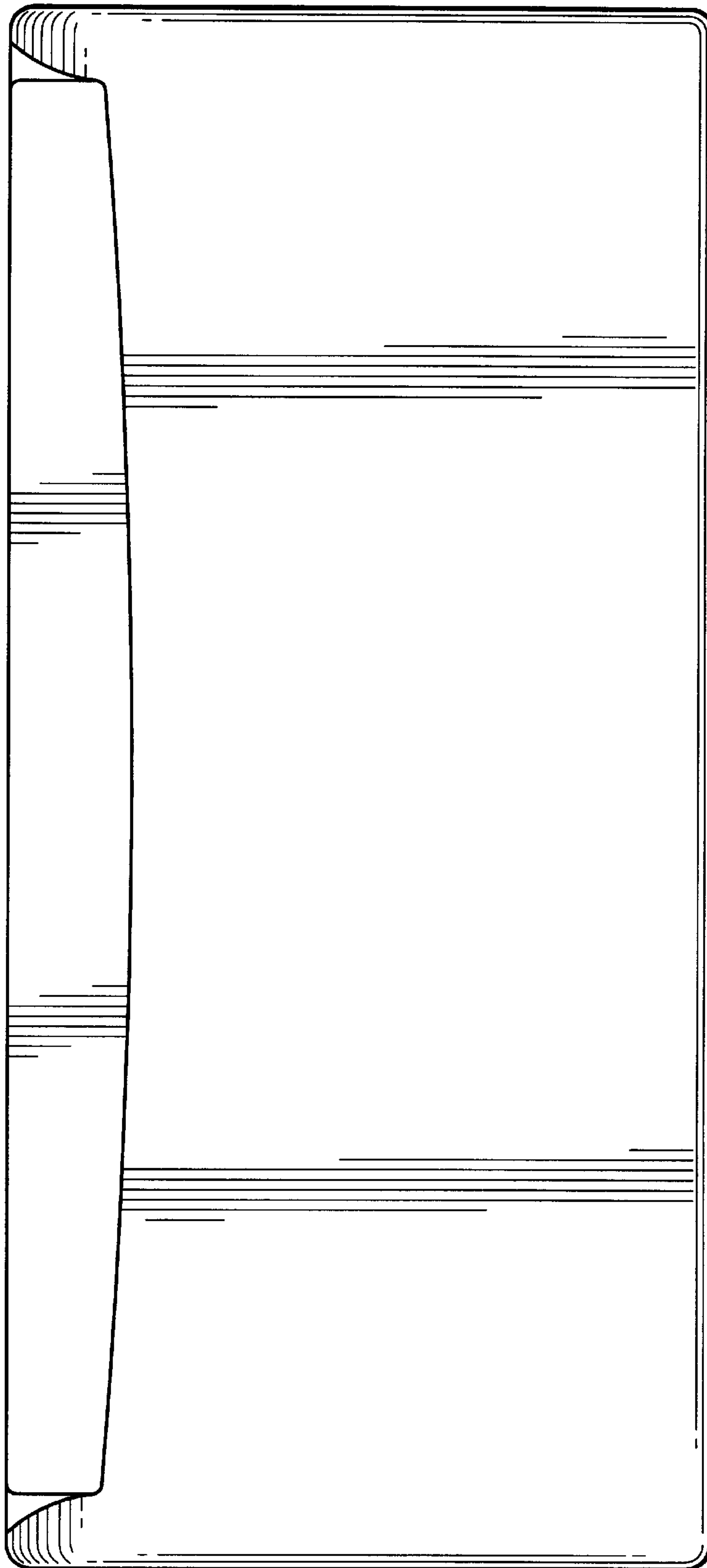


Figure 7