

US00D499656S

(12) **United States Design Patent**
Bhavnani

(10) **Patent No.:** **US D499,656 S**

(45) **Date of Patent:** **** Dec. 14, 2004**

(54) **TIMER**

(75) **Inventor:** **Dilip Bhavnani, Beverly Hills, CA (US)**

(73) **Assignee:** **Sun Coast Merchandise Corp., Commerce, CA (US)**

(**) **Term:** **14 Years**

(21) **Appl. No.:** **29/196,113**

(22) **Filed:** **Dec. 19, 2003**

(51) **LOC (7) Cl.** **10-03**

(52) **U.S. Cl.** **D10/40; D10/30**

(58) **Field of Search** **D10/1-40, 122-132; 368/96-100, 107-121, 276-277, 285, 316, 317**

(56) **References Cited**

U.S. PATENT DOCUMENTS

4,092,096 A	*	5/1978	Goto	431/253
D252,801 S	*	9/1979	Usuda	D10/15
D278,529 S	*	4/1985	Hoogner	D10/40
D285,420 S	*	9/1986	Gremonprez et al.	D10/40
D300,306 S	*	3/1989	Arnoux et al.	D10/78

D315,315 S	*	3/1991	Stairs, Jr.	D10/50
5,691,932 A	*	11/1997	Reiner et al.	368/10
D452,656 S	*	1/2002	So	D10/15
D455,144 S	*	4/2002	Shintani	D14/171
D483,346 S	*	12/2003	Chen	D14/171

* cited by examiner

Primary Examiner—Nelson C. Holtje

(74) *Attorney, Agent, or Firm*—Brian Carpenter

(57) **CLAIM**

The ornamental design for a timer, as shown and described.

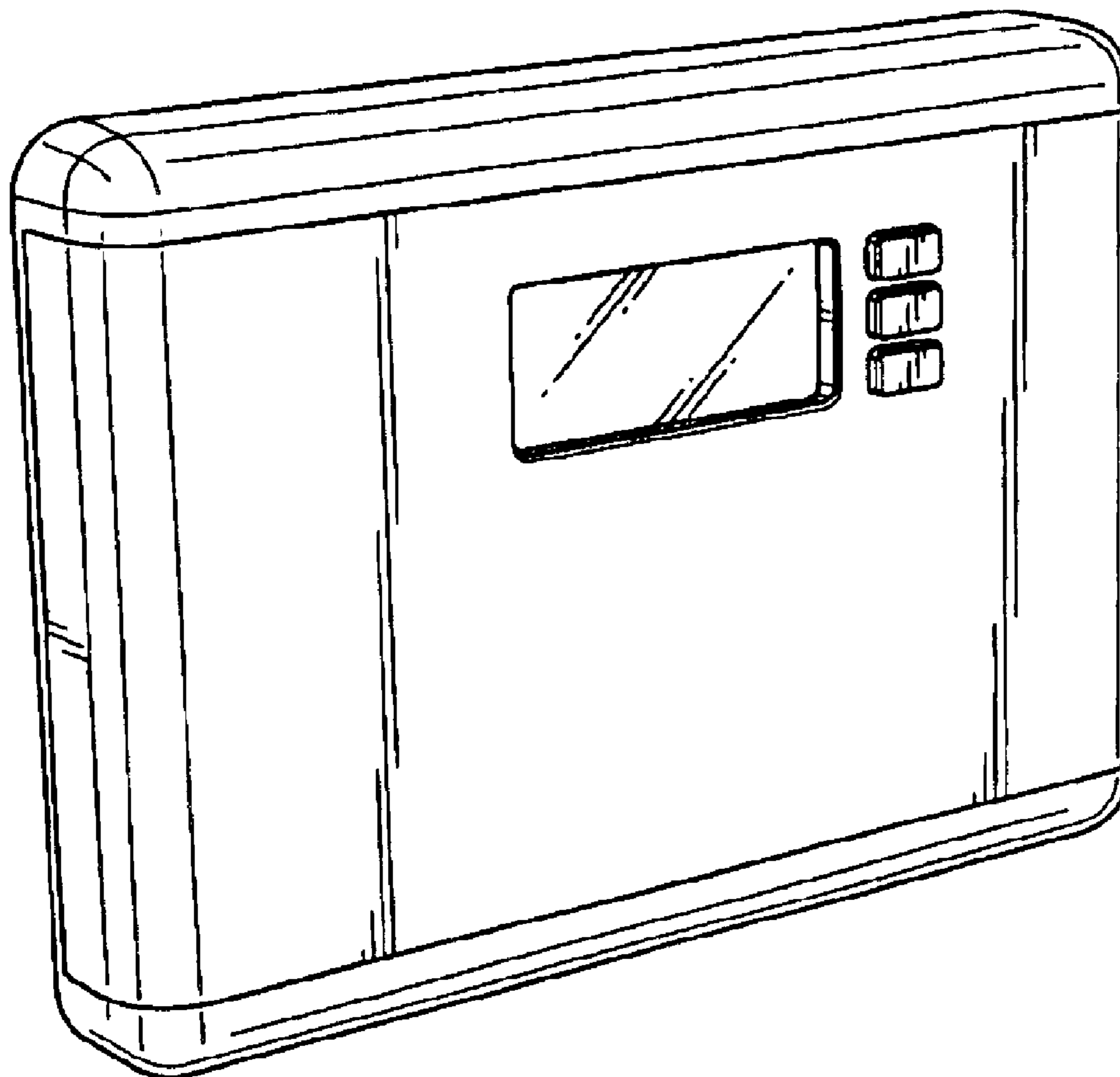
DESCRIPTION

FIG. 1 is a perspective view of a timer;
FIG. 2 is a front plan view of the timer of FIG. 1;
FIG. 3 is a bottom view of the timer of FIG. 1;
FIG. 4 is a left side elevational view of the timer of FIG. 1;
FIG. 5 is a rear plan view of the timer of FIG. 1; and,
FIG. 6 is a rear perspective view with stand extended of the timer of FIG. 1.

The right side elevational view is a mirror image of the left side elevational view shown in FIG. 4; and;

The top view is a mirror image of the bottom view as shown in FIG. 3.

1 Claim, 2 Drawing Sheets



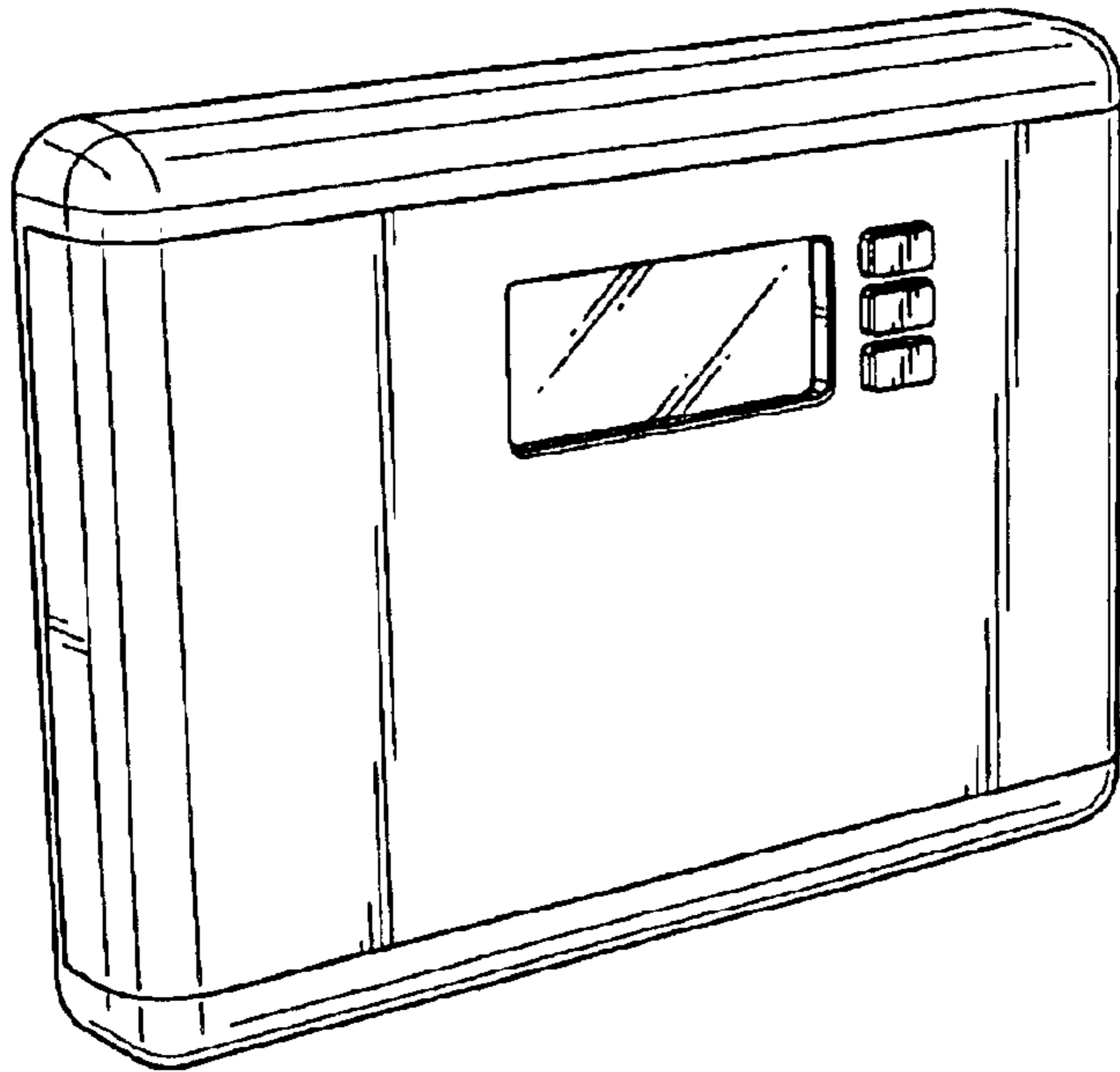


FIG. 1

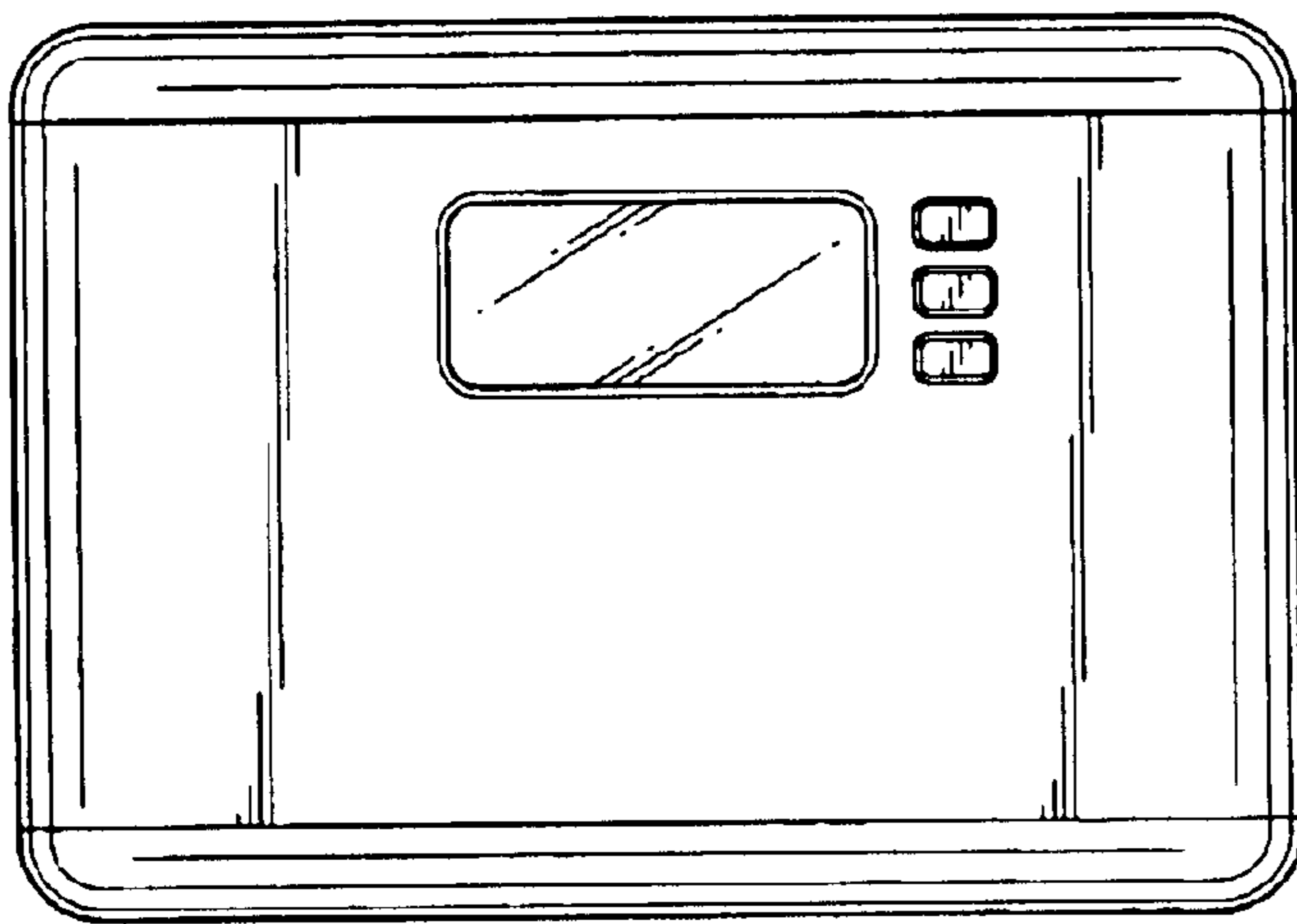


FIG. 2

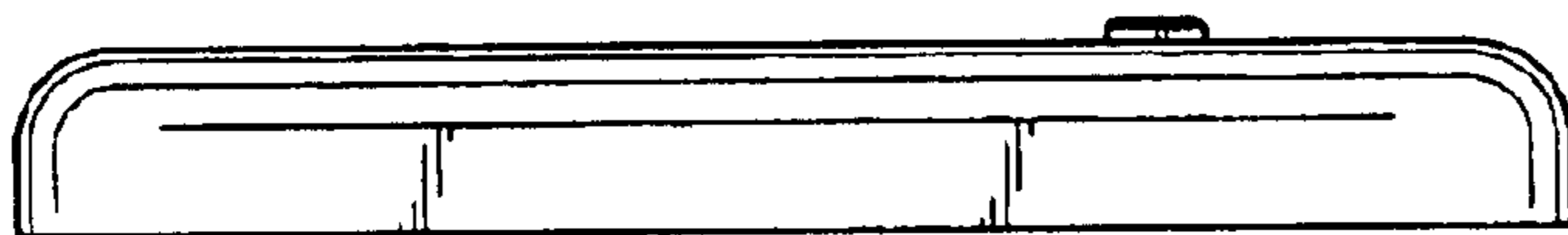


FIG. 3

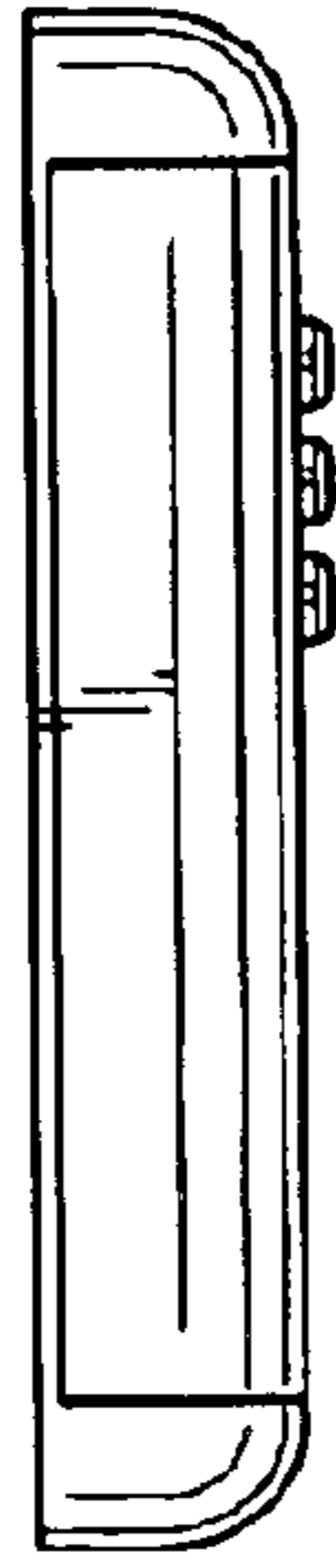


FIG. 4

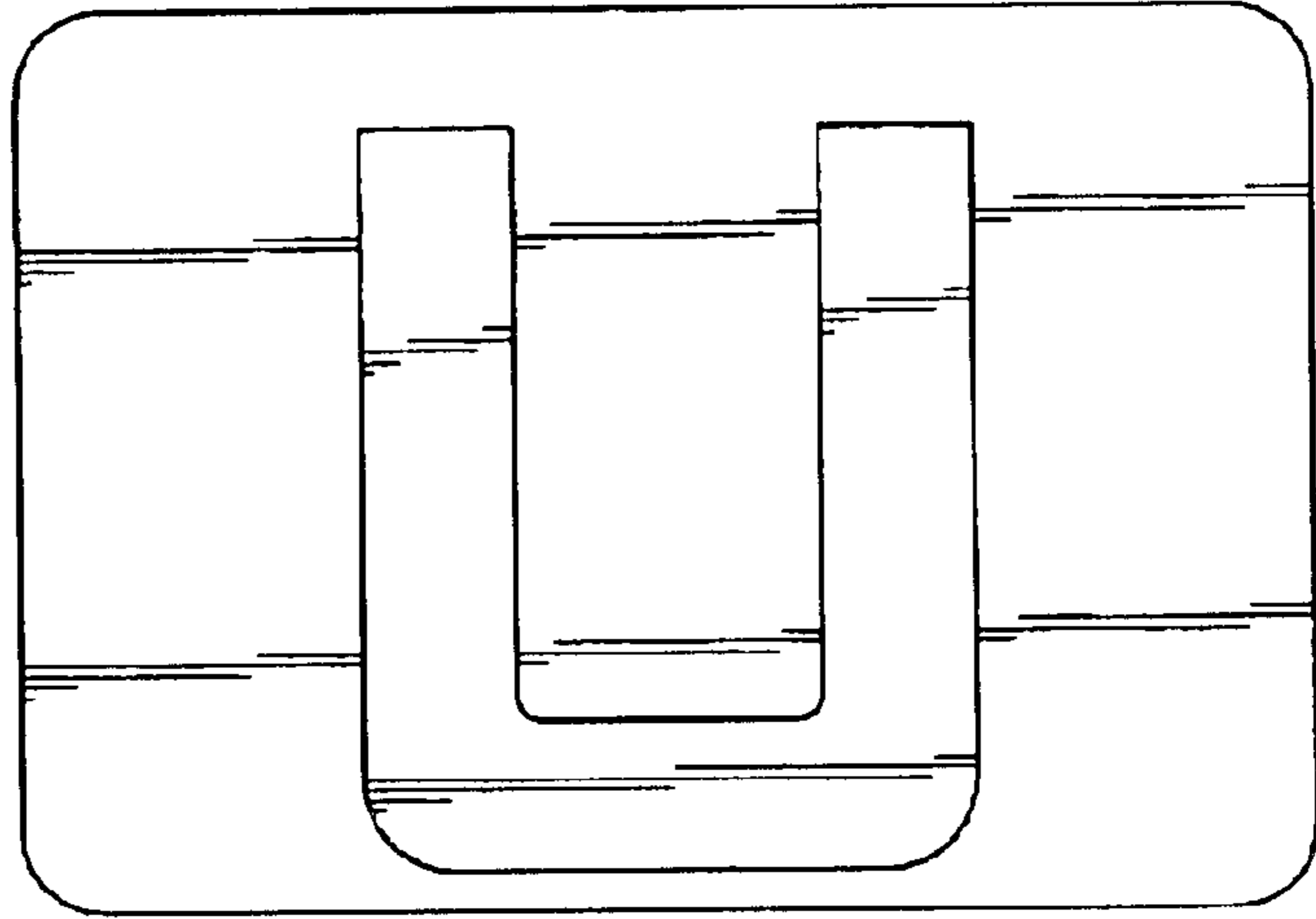


FIG. 5

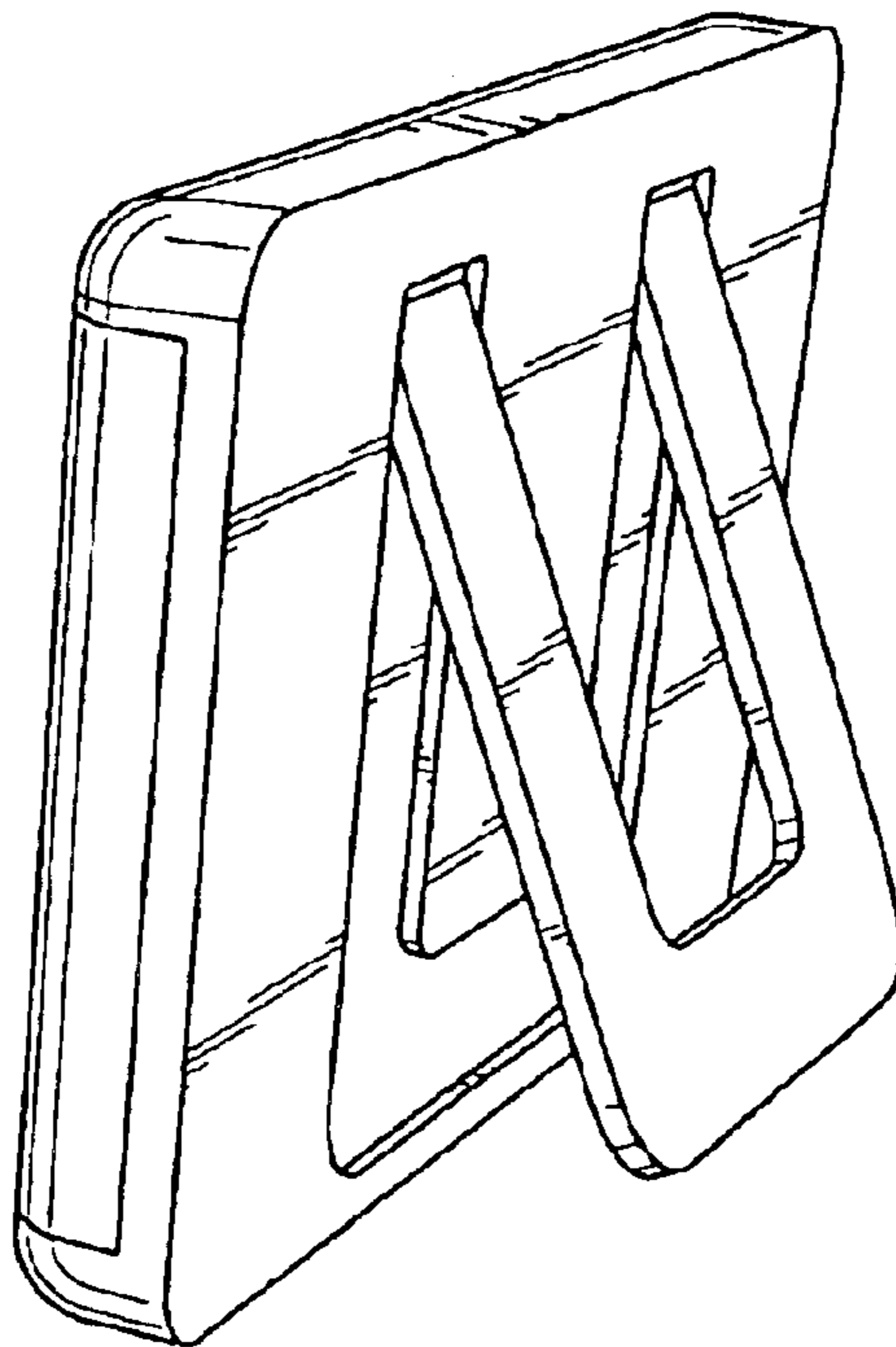


FIG. 6