

US00D499650S

(12) **United States Design Patent**
Crawford et al.

(10) **Patent No.: US D499,650 S**

(45) **Date of Patent: ** Dec. 14, 2004**

(54) **CONTAINER**

(75) Inventors: **John C. Crawford**, Mahopac, NY
(US); **Patrick M. Calello**, Roseland, NJ
(US)

(73) Assignee: **Colgate-Palmolive Company**, New
York, NY (US)

(**) Term: **14 Years**

(21) Appl. No.: **29/178,737**

(22) Filed: **Mar. 31, 2003**

(51) **LOC (7) Cl.** **09-01**

(52) **U.S. Cl.** **D9/502; D9/504**

(58) **Field of Search** D9/500, 502-504,
D9/516, 529, 530, 537-546, 549, 557-558,
570; 215/381-384, 396, 398, 400, 370-371,
375

(56) **References Cited**

U.S. PATENT DOCUMENTS

- D187,559 S * 3/1960 Horne D9/500
- D190,889 S * 7/1961 Koenigsberg D9/502
- D196,942 S * 11/1963 Lilling D9/542
- D222,336 S * 10/1971 Leary D9/502
- D240,593 S * 7/1976 Koenigsberg D9/542

- D274,697 S * 7/1984 Venne D9/338
- D410,821 S * 6/1999 Huang D9/502 X
- D414,111 S * 9/1999 Herrmann D9/503
- D424,940 S * 5/2000 Degnen D9/454
- D485,761 S * 1/2004 Crawford et al. D9/502
- D487,019 S * 2/2004 Crawford et al. D9/538

FOREIGN PATENT DOCUMENTS

GB 3010802 * 1/2004

* cited by examiner

Primary Examiner—Carol Rademaker

(74) *Attorney, Agent, or Firm*—Clifford E. Wilkins;
Michael J. McGreal

(57) **CLAIM**

The ornamental design for a container, as shown and described.

DESCRIPTION

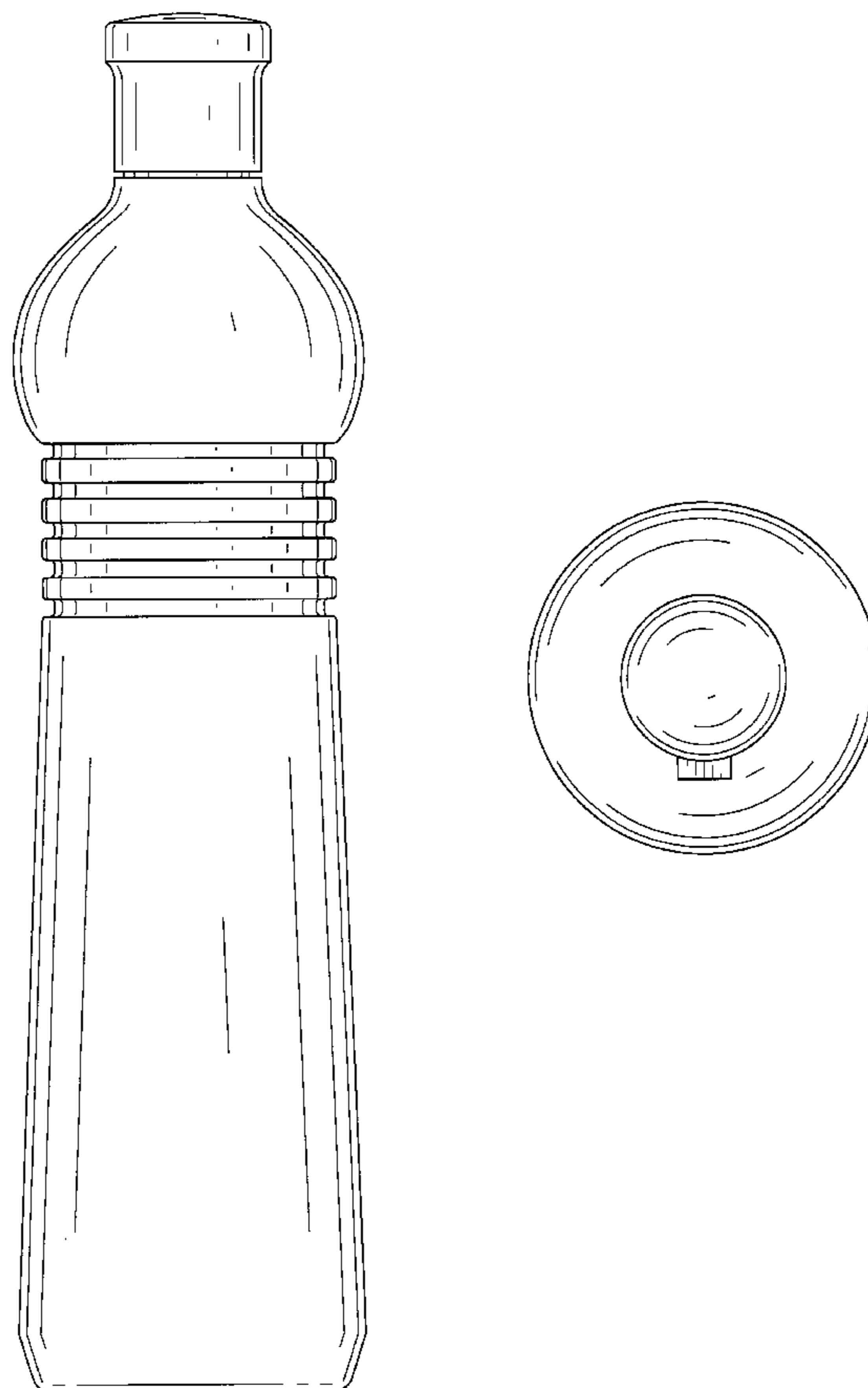
FIG. 1 is a front elevation view of the container of our design;

FIG. 2 is a right side elevation view, the left side being a mirror image thereof.

FIG. 3 is a rear elevation view thereof; and,

FIG. 4 is a top plan view thereof.

1 Claim, 4 Drawing Sheets



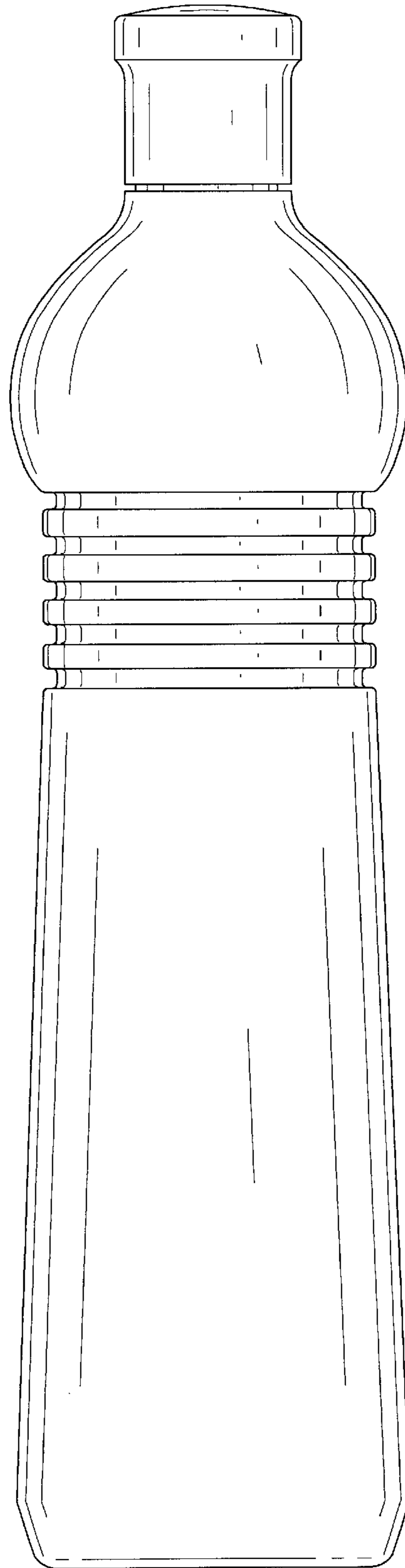


FIG. 1

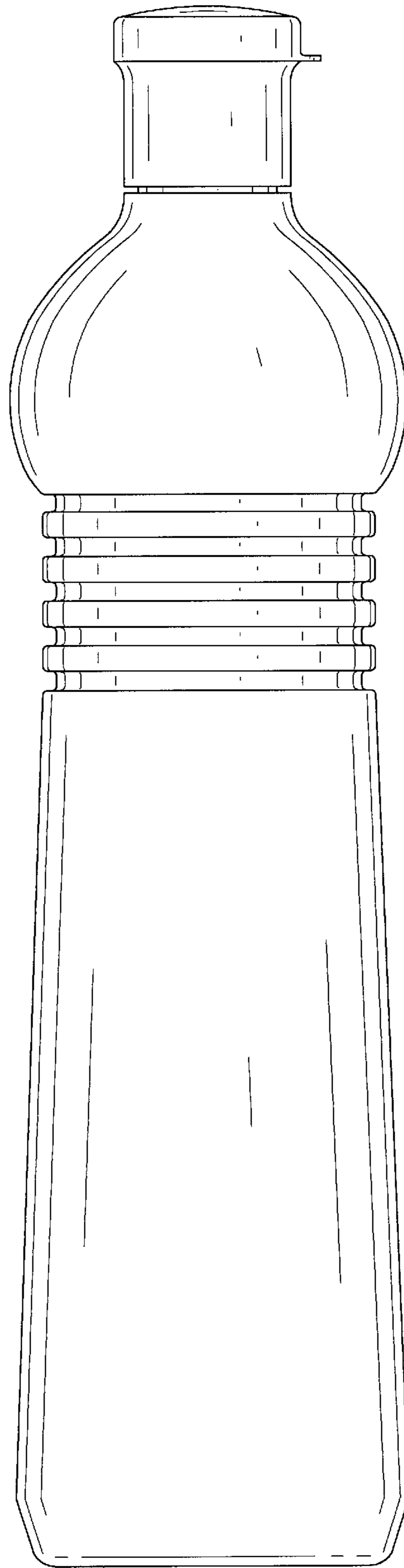


FIG. 2

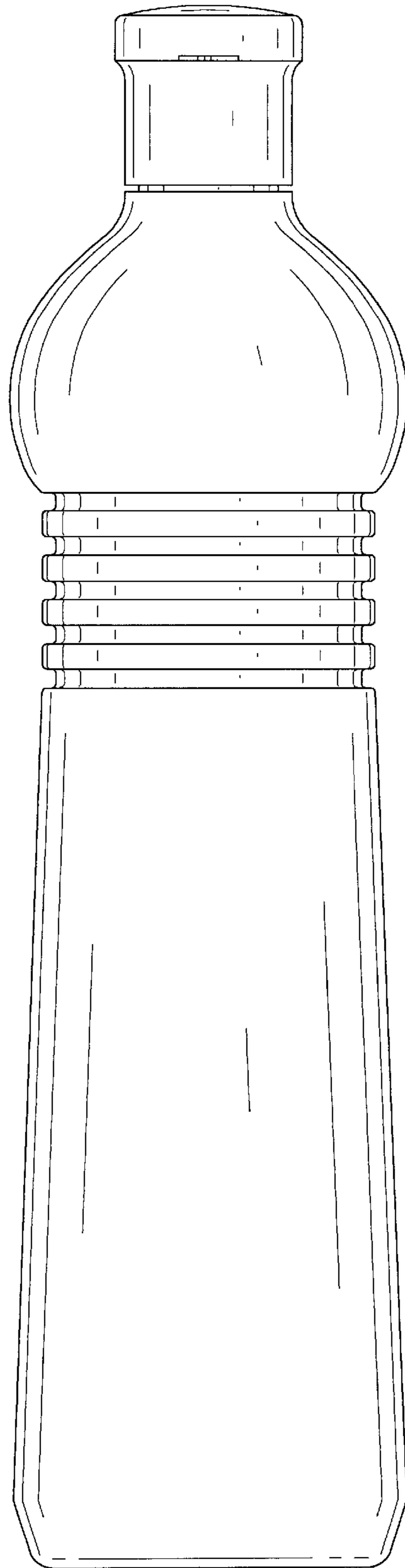


FIG. 3

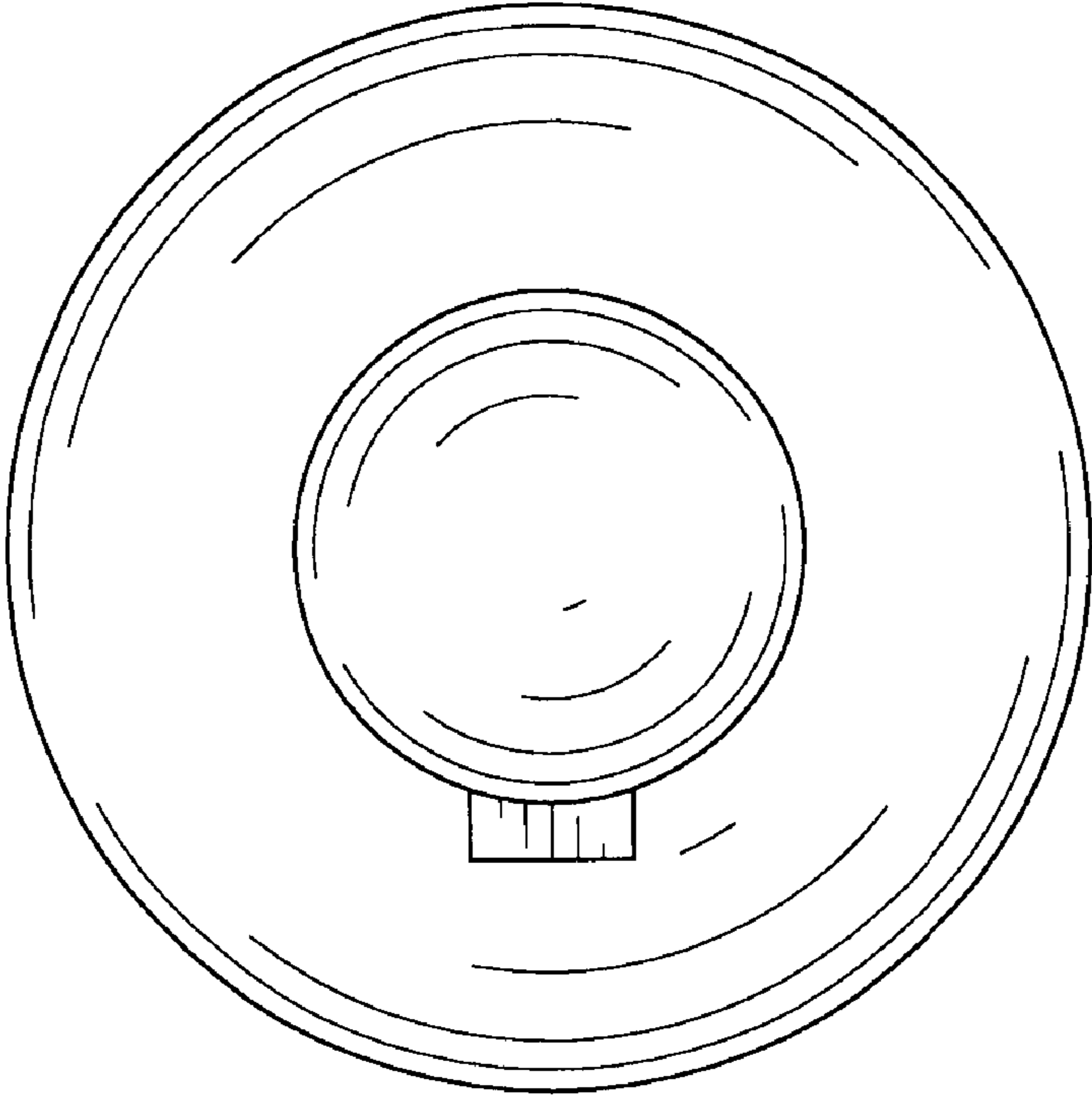


FIG. 4