

US00D499649S

(12) **United States Design Patent**
Olivares et al.

(10) **Patent No.: US D499,649 S**

(45) **Date of Patent: ** Dec. 14, 2004**

(54) **CONTAINER WITH OGEE SHOULDER**

(75) Inventors: **José Tirso Olivares**, Chicago, IL (US);
Joseph M. Kornick, Chicago, IL (US)

(73) Assignee: **Kornick-Lindsay, Inc.**, Chicago, IL
(US)

(**) Term: **14 Years**

(21) Appl. No.: **29/177,451**

(22) Filed: **Mar. 12, 2003**

(51) **LOC (7) Cl. 09-01**

(52) **U.S. Cl. D9/502; D9/503**

(58) **Field of Search D9/500-504, 516-517,**
D9/530, 537-539, 549, 557-558; 215/12.2,
382-384, 398, 400

(56) **References Cited**

U.S. PATENT DOCUMENTS

| | | | | | |
|-------------|---|---------|----------------|-------|-----------|
| D103,121 S | * | 2/1937 | Mogi | | D9/558 |
| D213,672 S | * | 4/1969 | Dearling | | D9/502 |
| D236,433 S | * | 8/1975 | Strand | | D9/500 |
| D256,992 S | * | 9/1980 | Kretz | | D9/558 |
| D266,649 S | * | 10/1982 | Plewes et al. | | D9/503 |
| D268,289 S | * | 3/1983 | Diebold | | D27/124 |
| 4,497,855 A | * | 2/1985 | Agrawal et al. | | 215/381 X |

| | | | | | |
|------------|---|--------|----------------|-------|--------|
| D338,831 S | * | 8/1993 | Osip et al. | | D9/502 |
| D338,832 S | * | 8/1993 | Osip et al. | | D9/502 |
| D382,806 S | * | 8/1997 | Wilson et al. | | D9/502 |
| D410,197 S | * | 5/1999 | Herrin et al. | | D9/502 |
| D440,498 S | * | 4/2001 | Buxton et al. | | D9/502 |
| D477,533 S | * | 7/2003 | Kornick et al. | | D9/500 |

FOREIGN PATENT DOCUMENTS

GB 2059725 * 7/1997

* cited by examiner

Primary Examiner—Carol Rademaker

(74) *Attorney, Agent, or Firm*—David C. Brezina; Barnes & Thornburg LLP

(57) **CLAIM**

The ornamental design for a container with ogee shoulder, as shown.

DESCRIPTION

FIG. 1 is a top plan view of our container with ogee shoulder;

FIG. 2 is a front elevational view thereof;

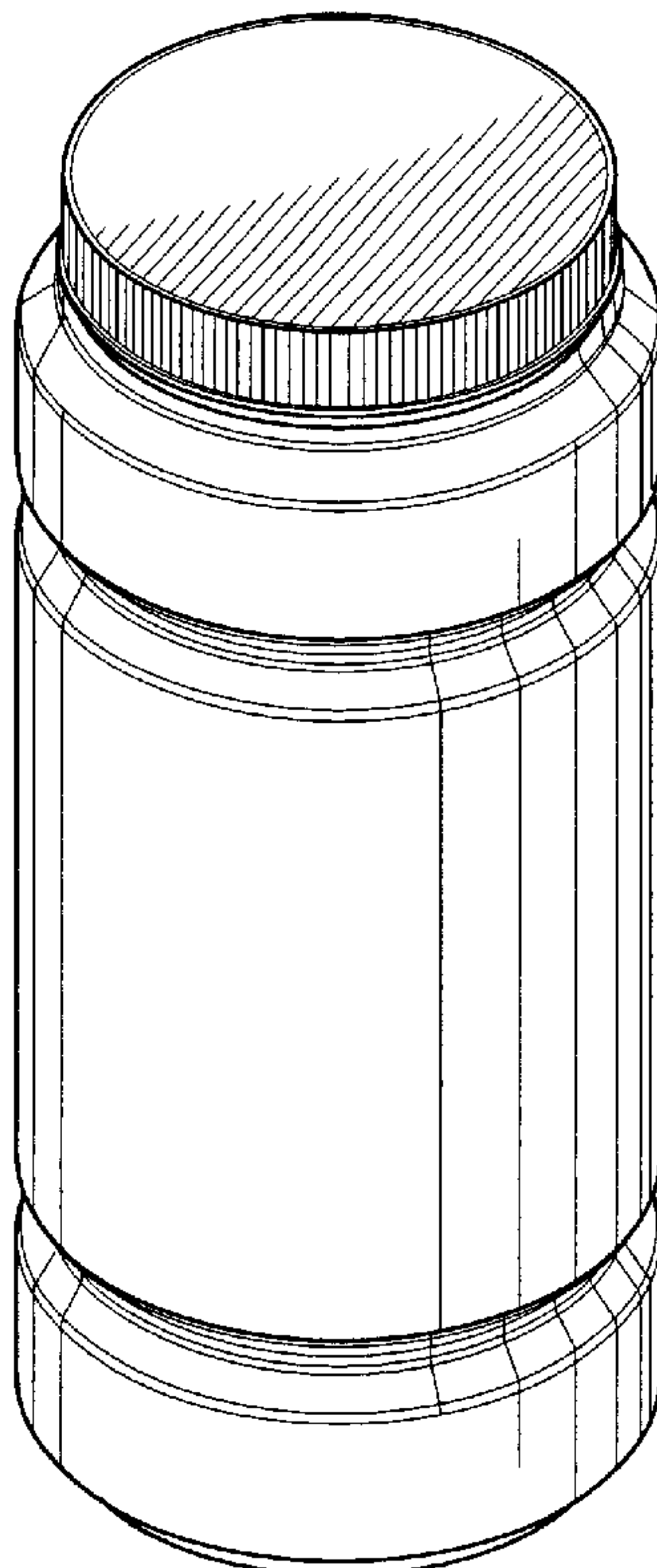
FIG. 3 is a right side elevational view thereof;

FIG. 4 is a left side elevational view thereof;

FIG. 5 is a rear elevational view thereof; and,

FIG. 6 is a top, side perspective view thereof.

1 Claim, 2 Drawing Sheets



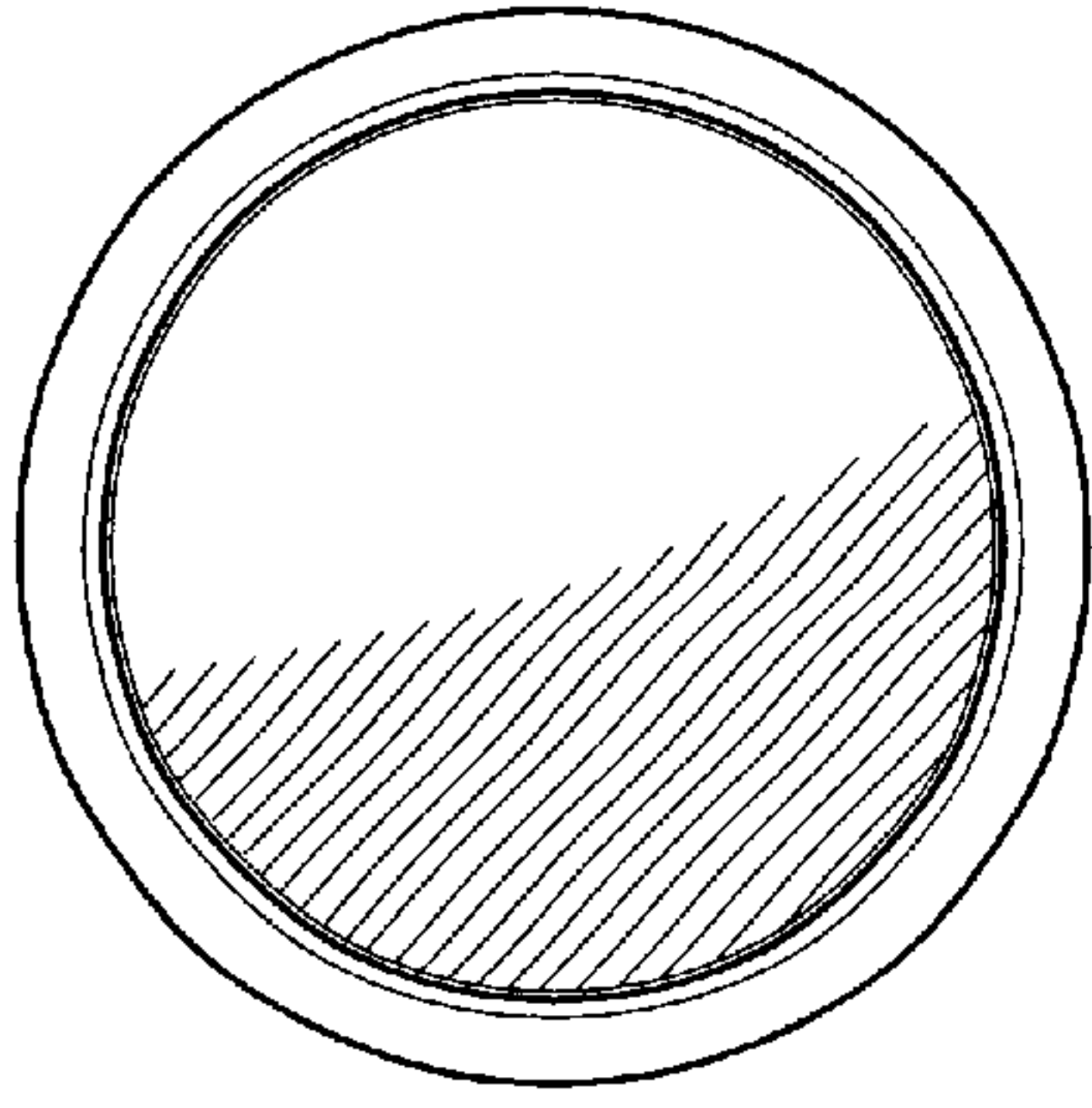


FIG. 1

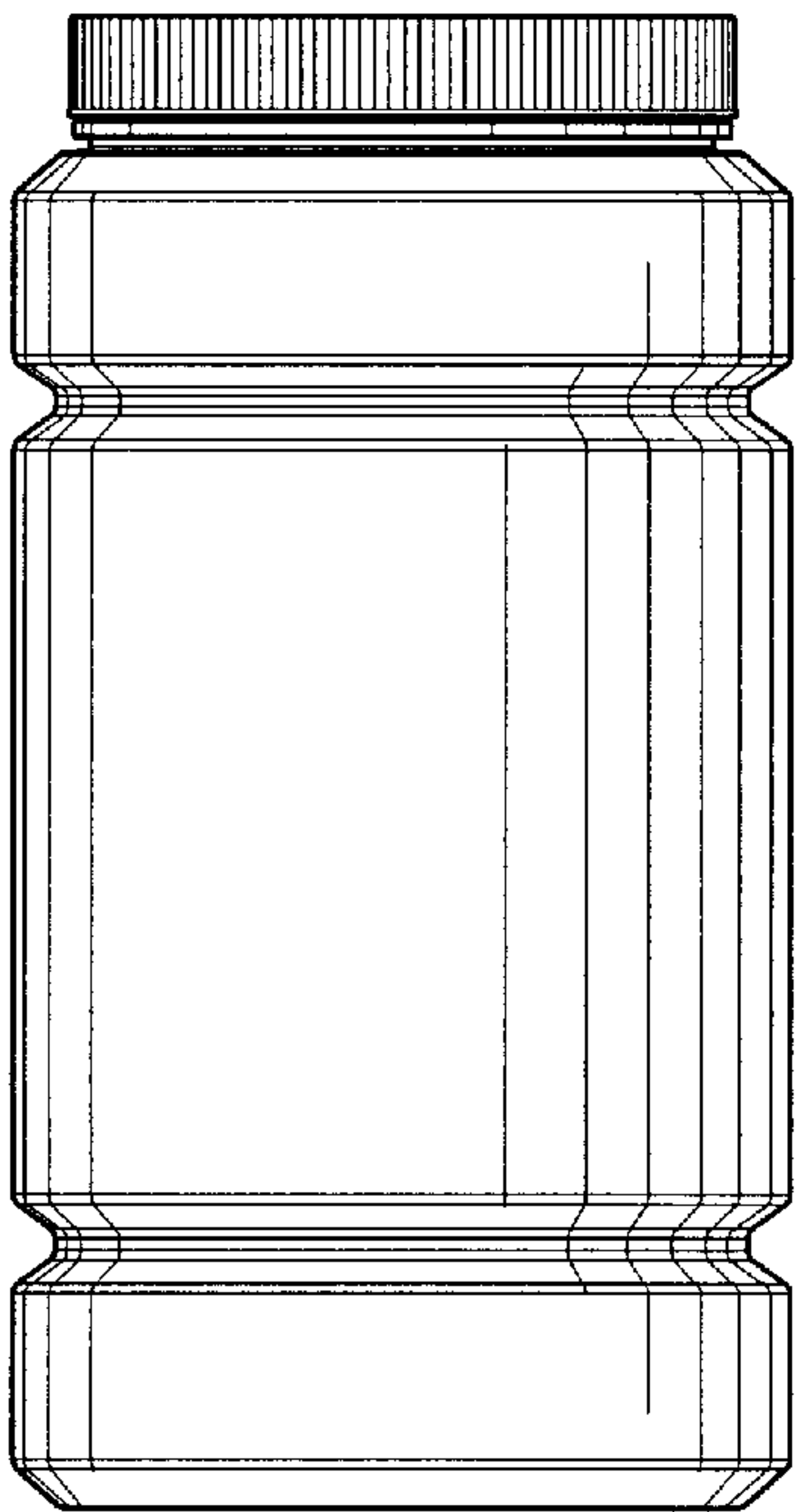


FIG. 2

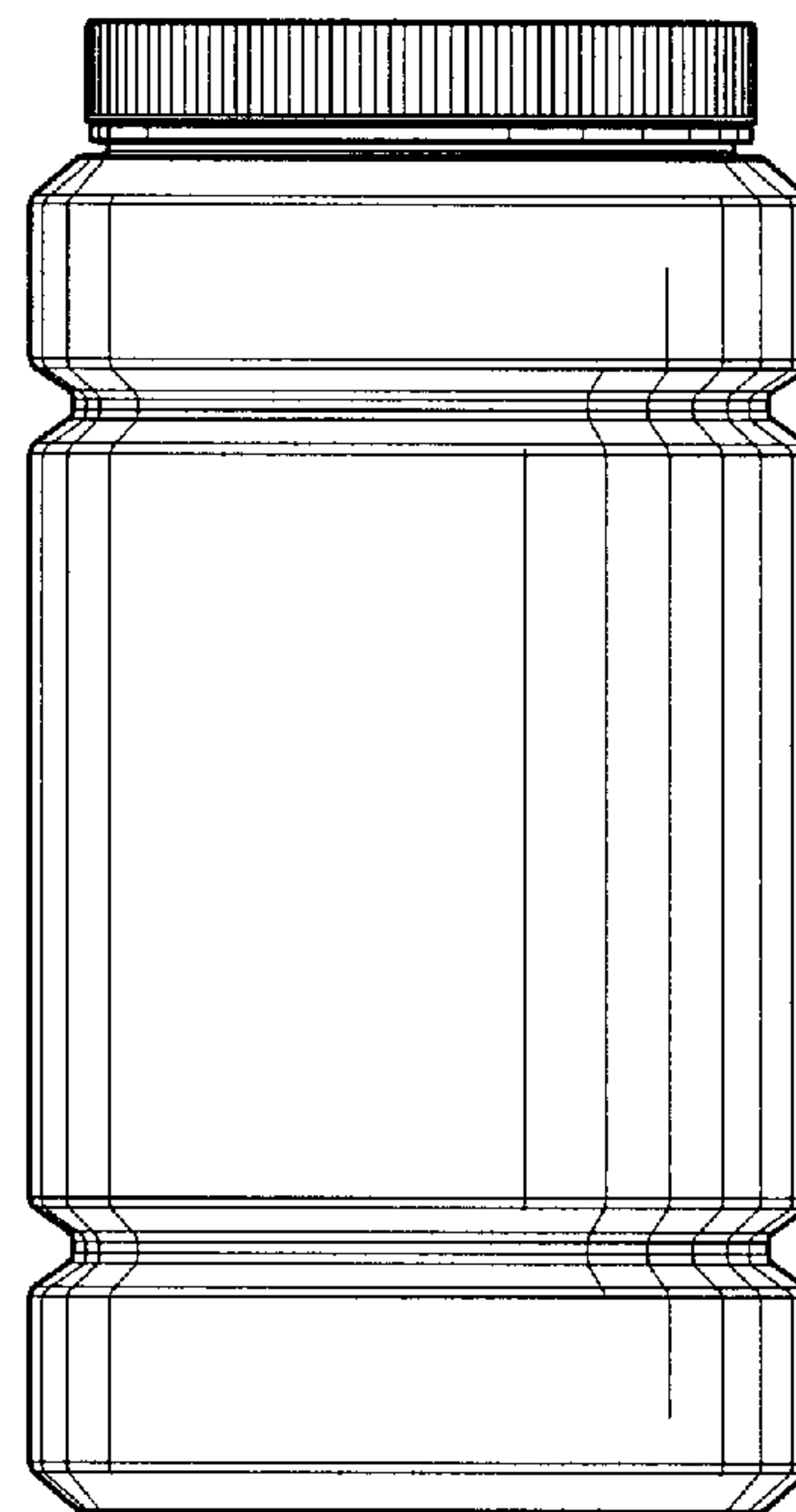


FIG. 3

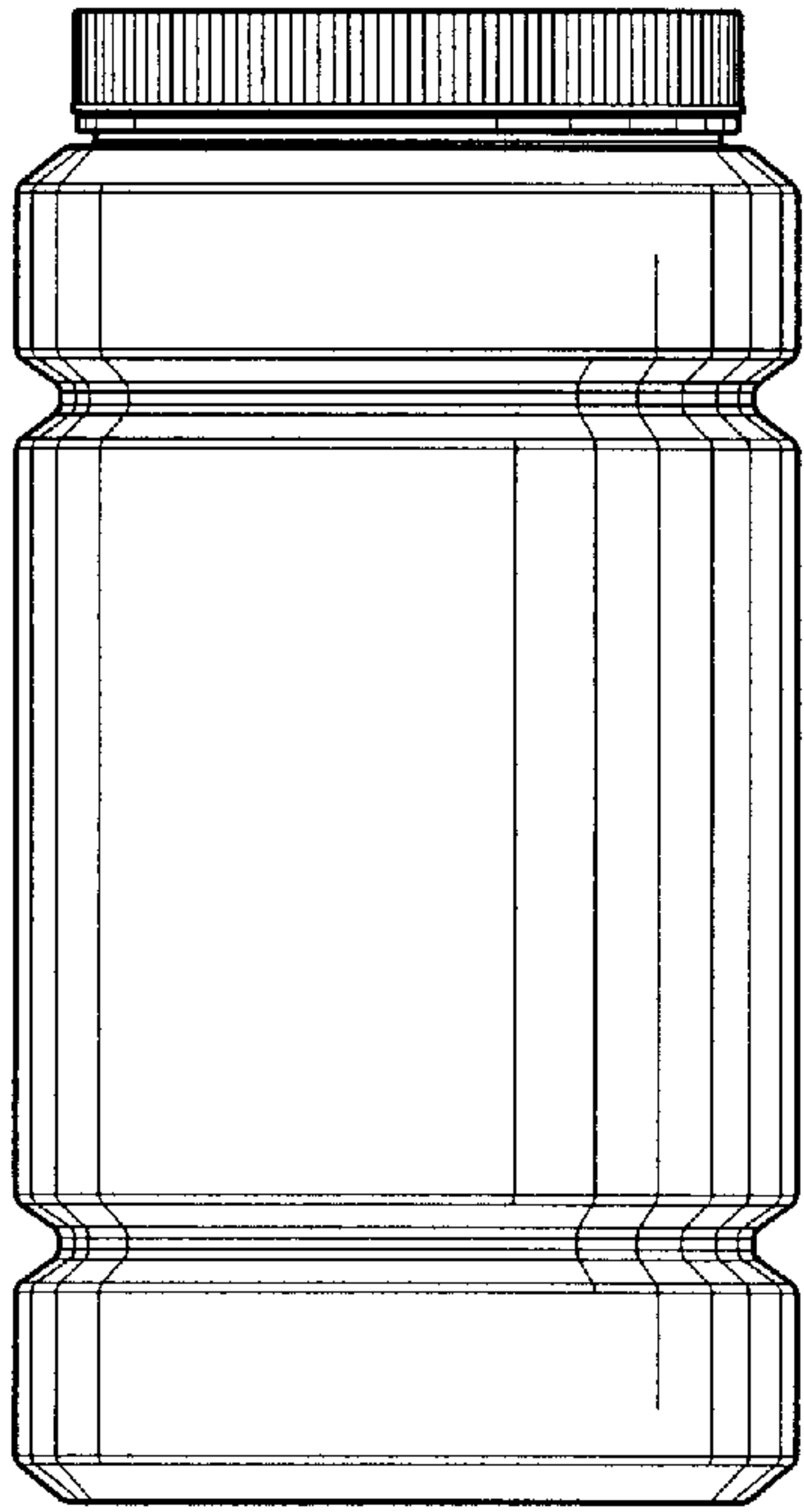


FIG. 4

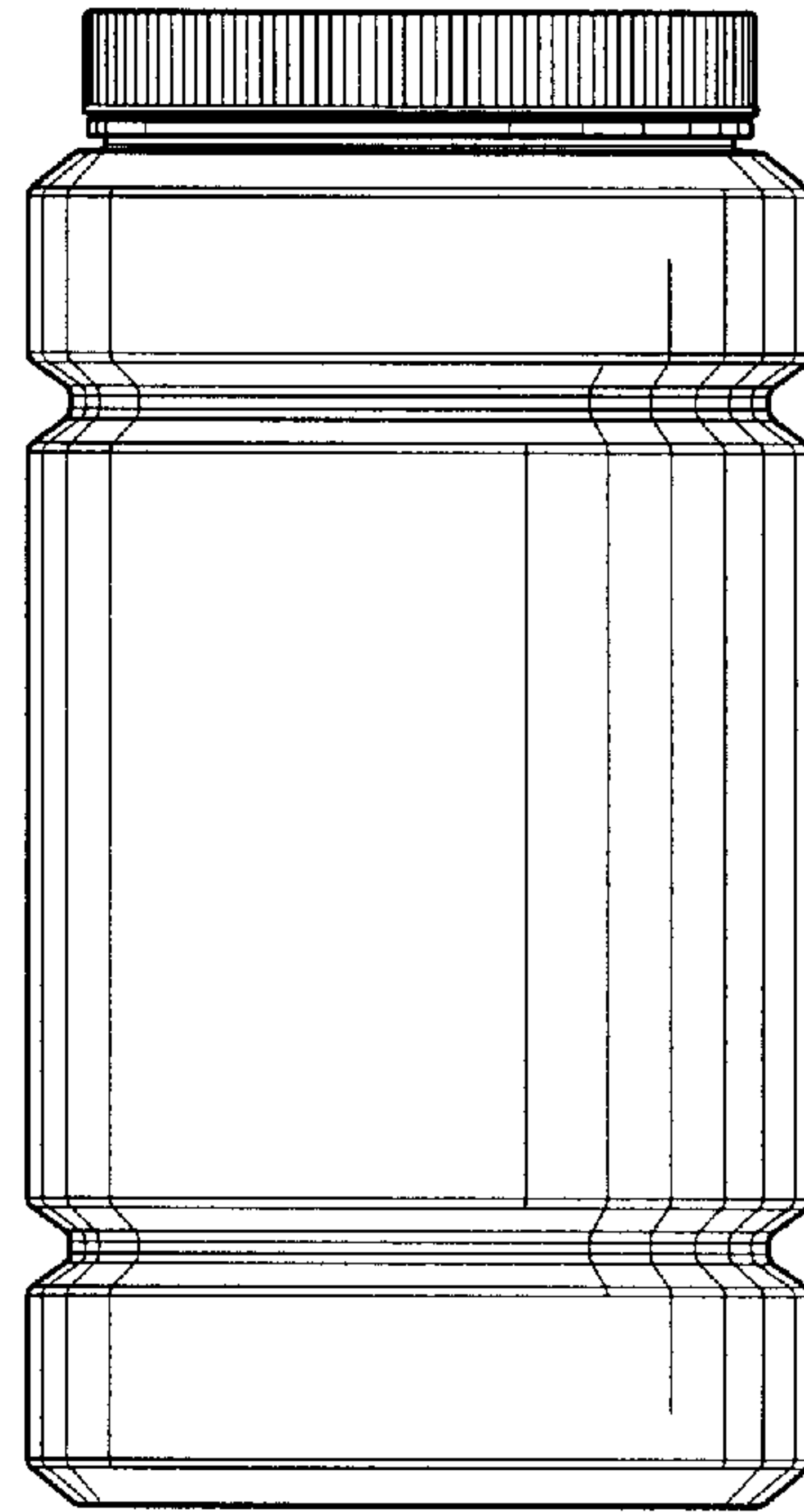


FIG. 5

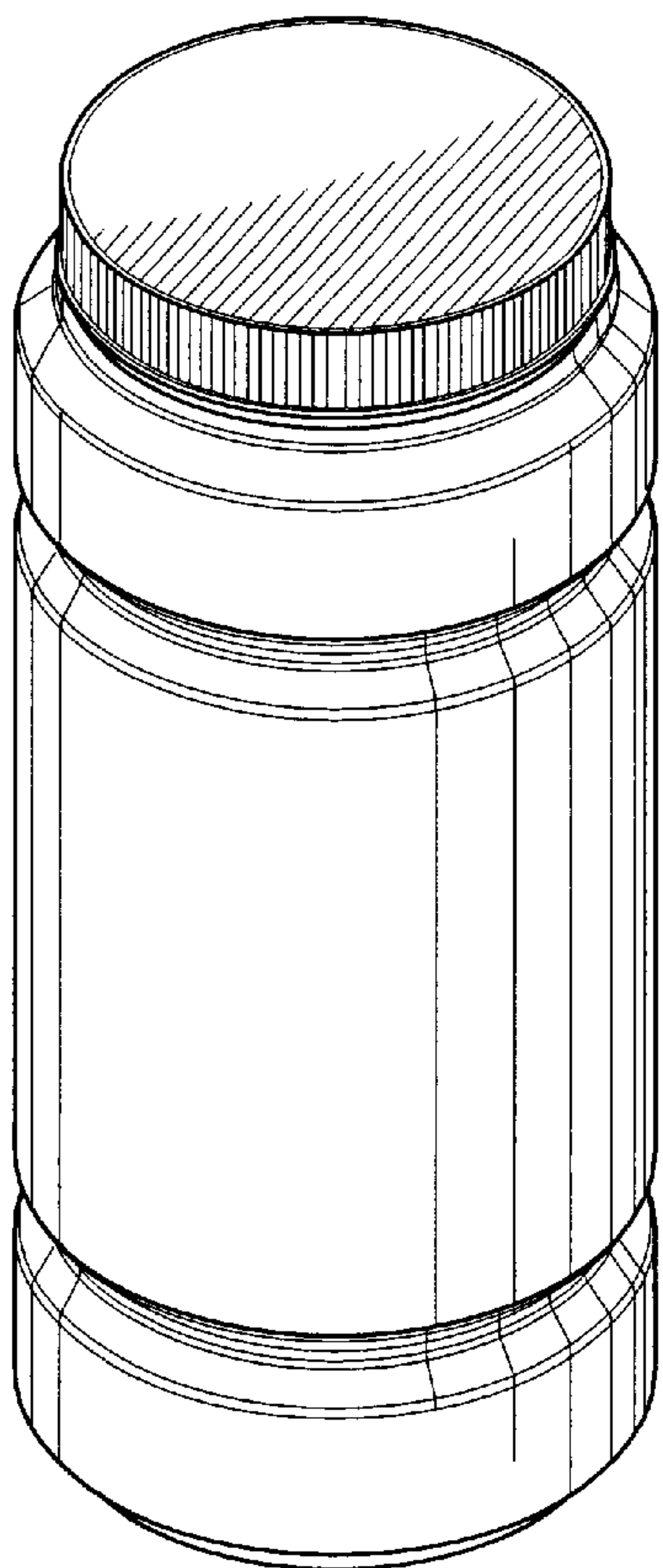


FIG. 6

UNITED STATES PATENT AND TRADEMARK OFFICE
CERTIFICATE OF CORRECTION

PATENT NO. : Des. 499,649 S
DATED : December 14, 2004
INVENTOR(S) : Jose Tirso Olivares et al.

Page 1 of 1

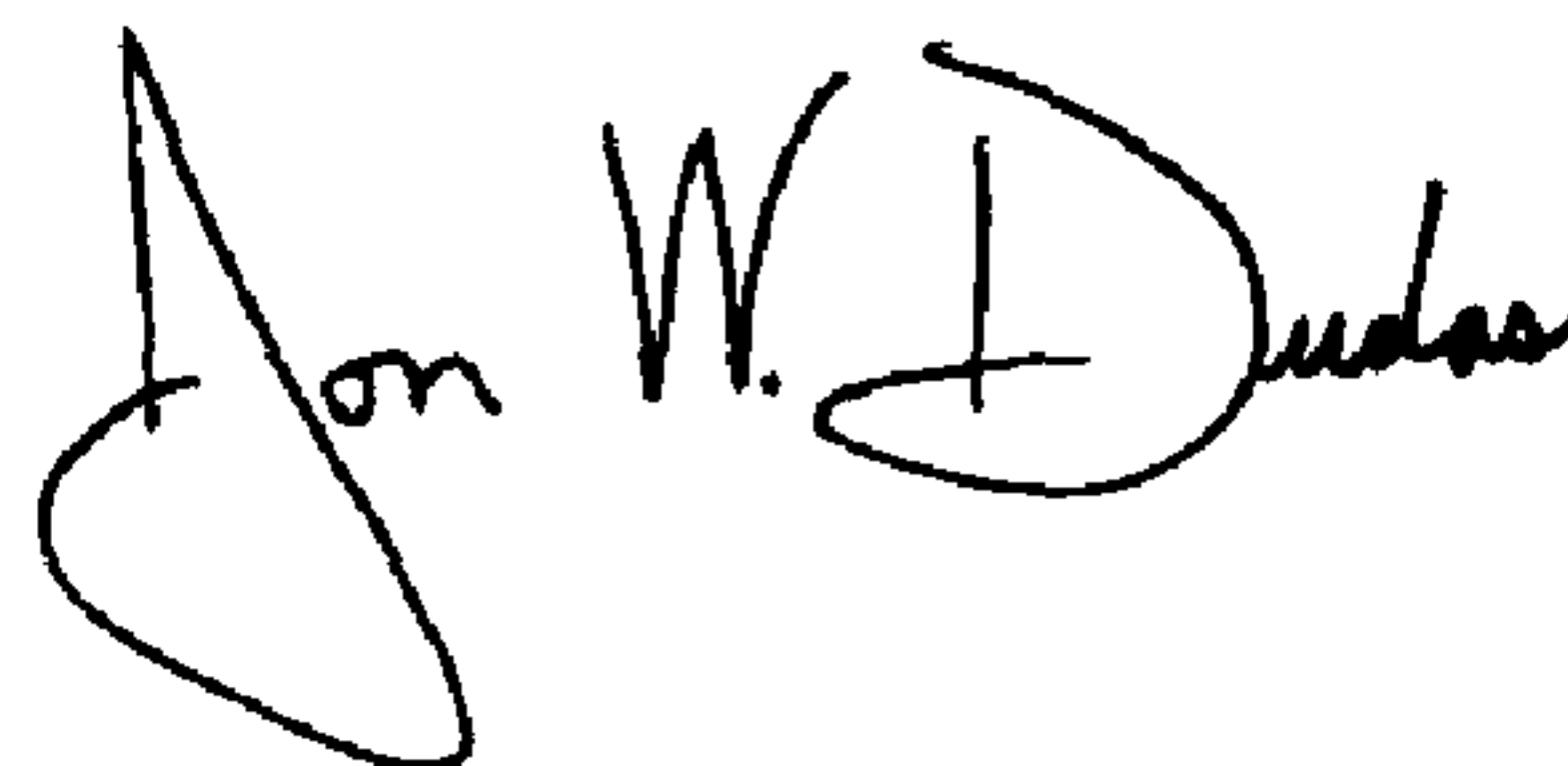
It is certified that error appears in the above-identified patent and that said Letters Patent is hereby corrected as shown below:

Title page,

Item [57], **CLAIM**, should read -- The ornamental design for a container with upper and lower grooves --

Signed and Sealed this

Third Day of May, 2005

A handwritten signature in black ink that reads "Jon W. Dudas". The signature is written in a cursive style with a large, looped initial "J".

JON W. DUDAS
Director of the United States Patent and Trademark Office

UNITED STATES PATENT AND TRADEMARK OFFICE
CERTIFICATE OF CORRECTION

PATENT NO. : Des. 499,649 S
DATED : December 14, 2004
INVENTOR(S) : Jose Tirso Olivares et al.

Page 1 of 1


It is certified that error appears in the above-identified patent and that said Letters Patent is hereby corrected as shown below:

Title page, Item [54] and Column 1, lines 1-2,

Title, should read -- **CONTAINER WITH UPPER AND LOWER GROOVES** --.

Signed and Sealed this

Third Day of January, 2006

A handwritten signature in black ink on a light gray dotted background. The signature reads "Jon W. Dudas" in a cursive style.

JON W. DUDAS

Director of the United States Patent and Trademark Office