

US00D499645S

(12) **United States Design Patent**
Edwards

(10) **Patent No.:** **US D499,645 S**

(45) **Date of Patent:** **** Dec. 14, 2004**

(54) **CONTAINER**

(75) **Inventor:** **John R. Edwards, Nobleton (CA)**

(73) **Assignee:** **Par-Pak Limited, Brampton (CA)**

(**) **Term:** **14 Years**

(21) **Appl. No.:** **29/197,573**

(22) **Filed:** **Jan. 20, 2004**

(30) **Foreign Application Priority Data**

Nov. 12, 2003 (CA) 1052259

(51) **LOC (7) Cl.** **09-03**

(52) **U.S. Cl.** **D9/429; D9/428; D9/425;**
D9/424

(58) **Field of Search** **D9/414, 424, 425,**
D9/428, 429, 430, 418; D7/561, 562, 550.1,
553.6, 554.2, 608, 554.4, 602; 206/45.32,
564, 45.34, 357; 220/657, 658, 575, 556,
675, 380; 302/284, 285

(56) **References Cited**

U.S. PATENT DOCUMENTS

D82,327 S	10/1930	Kempter	
2,246,695 A	6/1941	Phillips	
D195,105 S	* 4/1963	Kulow D9/429
D195,699 S	* 7/1963	Bostrom D9/429
3,690,902 A	* 9/1972	Dahl 426/115
D256,219 S	8/1980	Miyazaki	
4,375,862 A	* 3/1983	Kurinsky et al. 220/293
D284,160 S	6/1986	Durand	
D291,285 S	8/1987	Jarrin et al.	
4,863,058 A	9/1989	Antoni et al.	

4,874,083 A	10/1989	Antoni et al.	
D326,412 S	5/1992	Lesquir	
5,287,959 A	* 2/1994	Hansen et al. 220/787
D345,912 S	* 4/1994	Krupa D9/429
D364,564 S	* 11/1995	Moore D9/429
D374,376 S	* 10/1996	Goins et al. D7/392.1
D374,820 S	* 10/1996	Knoss et al. D9/429
5,613,607 A	* 3/1997	Kalmanides et al. 206/467
D389,061 S	1/1998	Ebrahim et al.	
D440,829 S	4/2001	Brown	
D445,310 S	7/2001	Brown	
D457,431 S	5/2002	Brant et al.	
D472,146 S	3/2003	Stone et al.	
D475,924 S	6/2003	Haffner	
D494,468 S	* 8/2004	Vovan D9/435

* cited by examiner

Primary Examiner—Prabhakar Deshmukh

(74) *Attorney, Agent, or Firm*—Riches, McKenzie & Herbert LLP

(57) **CLAIM**

I claim the ornamental design for a container, as shown.

DESCRIPTION

FIG. 1 is a perspective view of a container in accordance with this invention;

FIG. 2 is a top view of the container of FIG. 1;

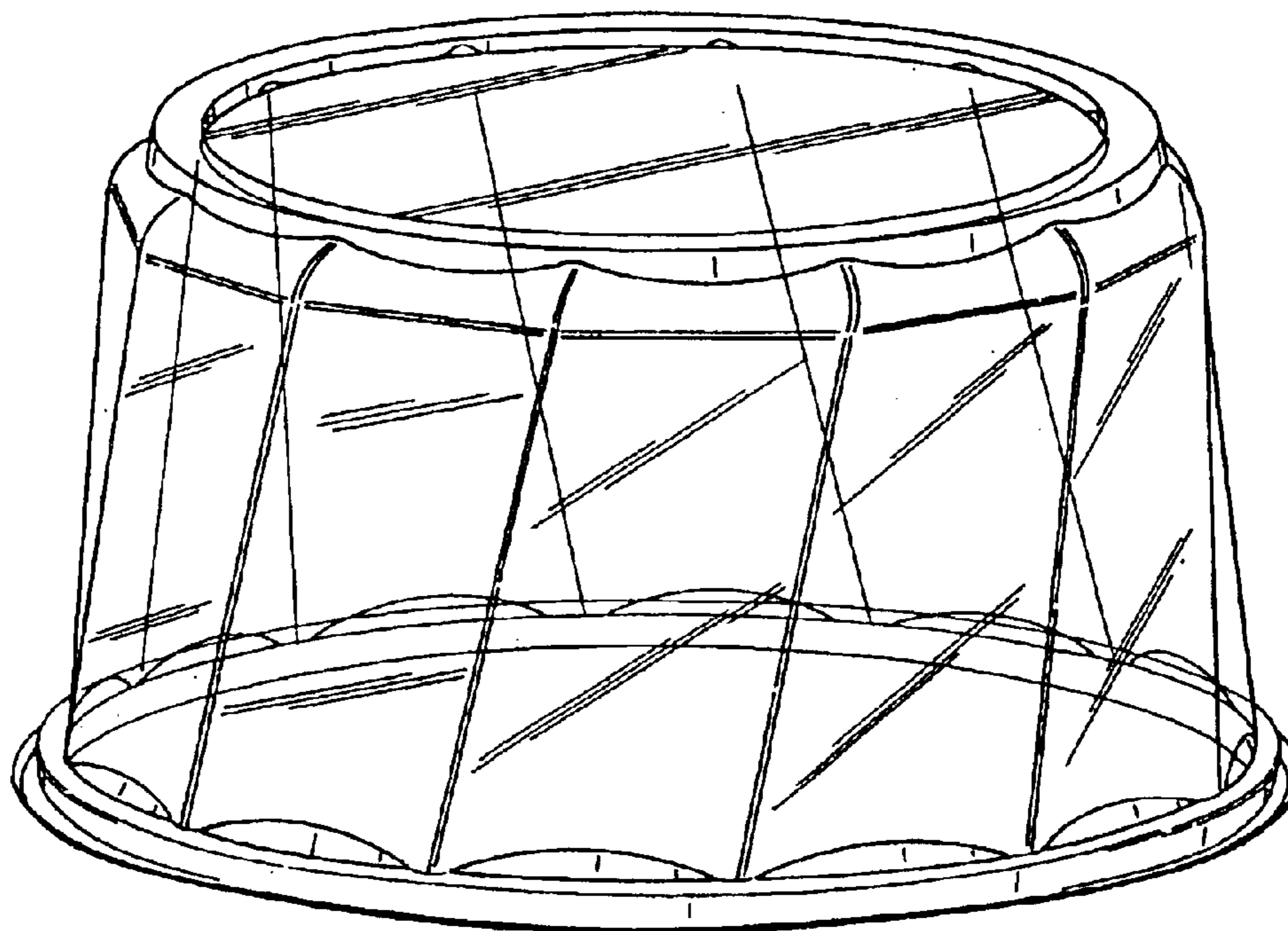
FIG. 3 is a side view of the container of FIG. 1;

FIG. 4 is a bottom view of the container of FIG. 1;

FIG. 5 is a perspective view of a variant of the container of FIG. 1; and,

FIG. 6 is a side view of the container of FIG. 5.

1 Claim, 3 Drawing Sheets



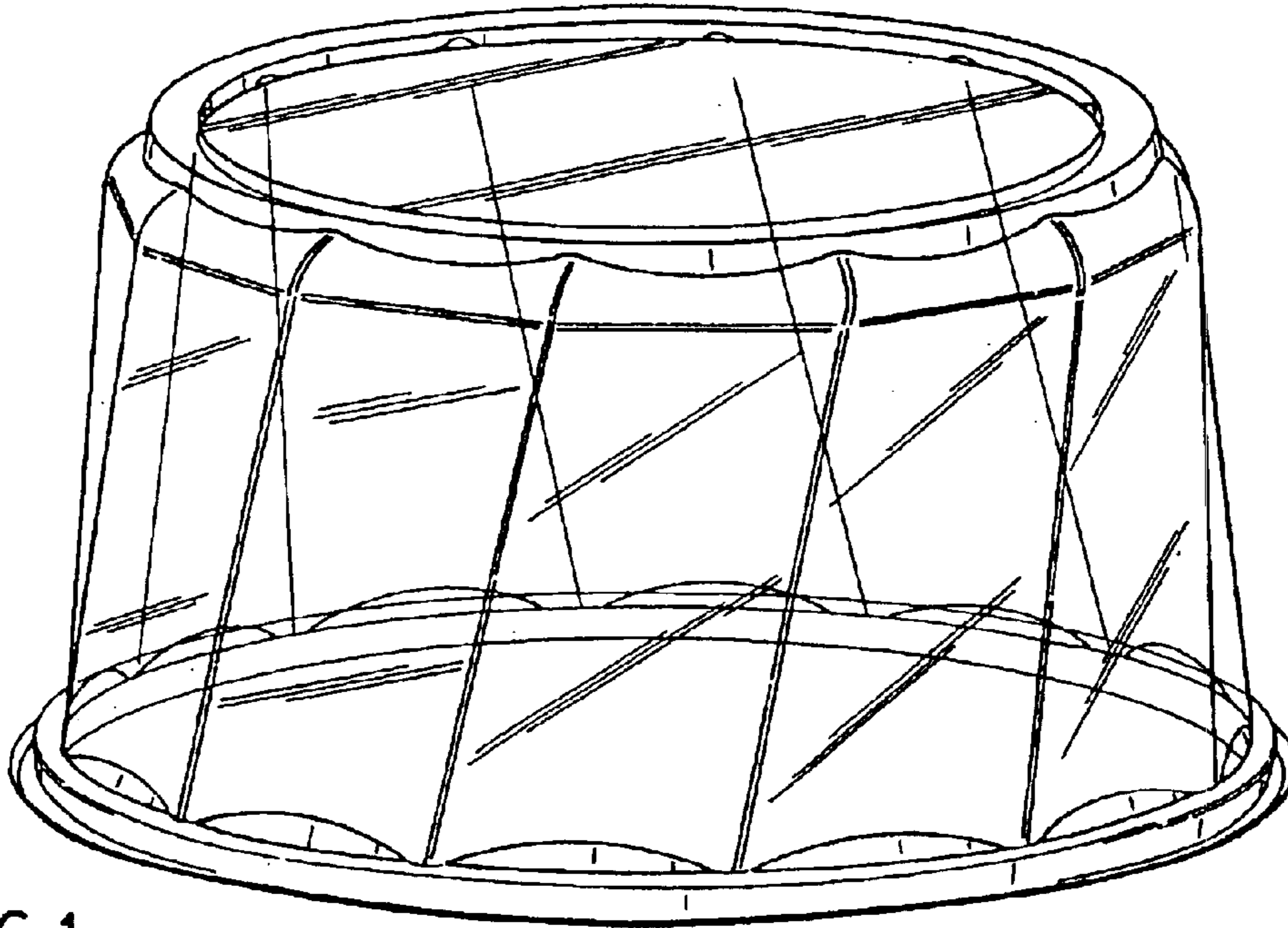


FIG. 1.

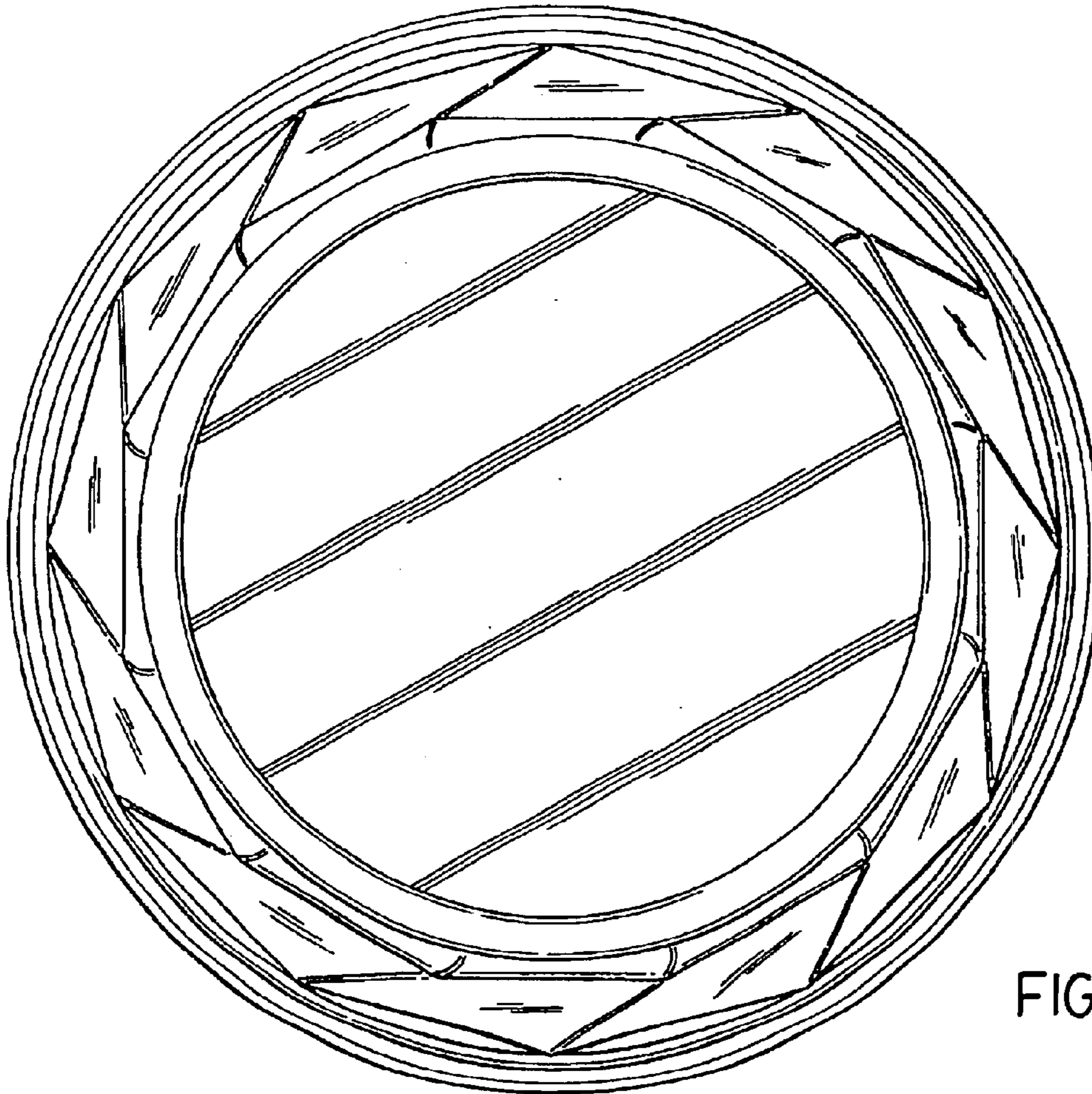


FIG. 2.

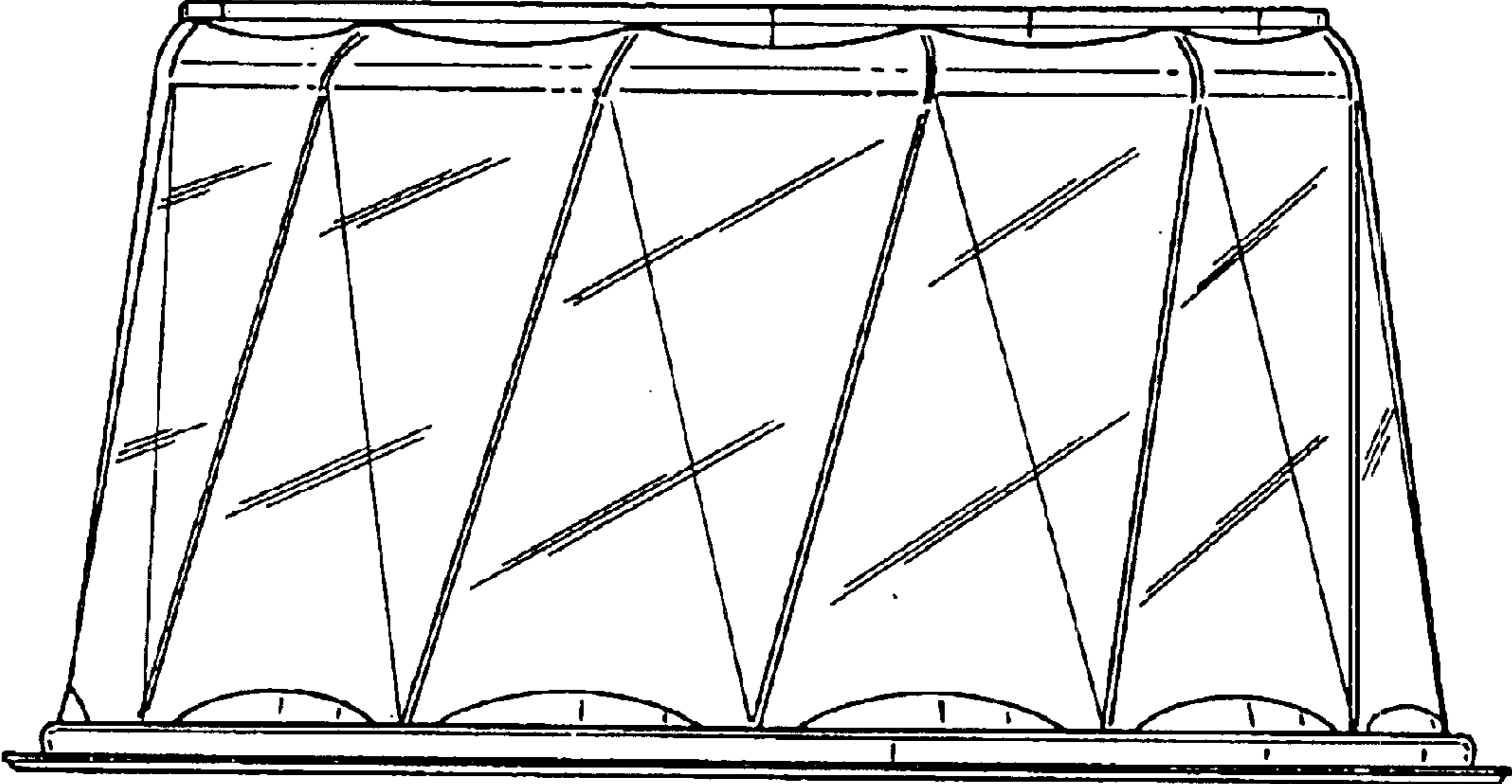


FIG. 3.

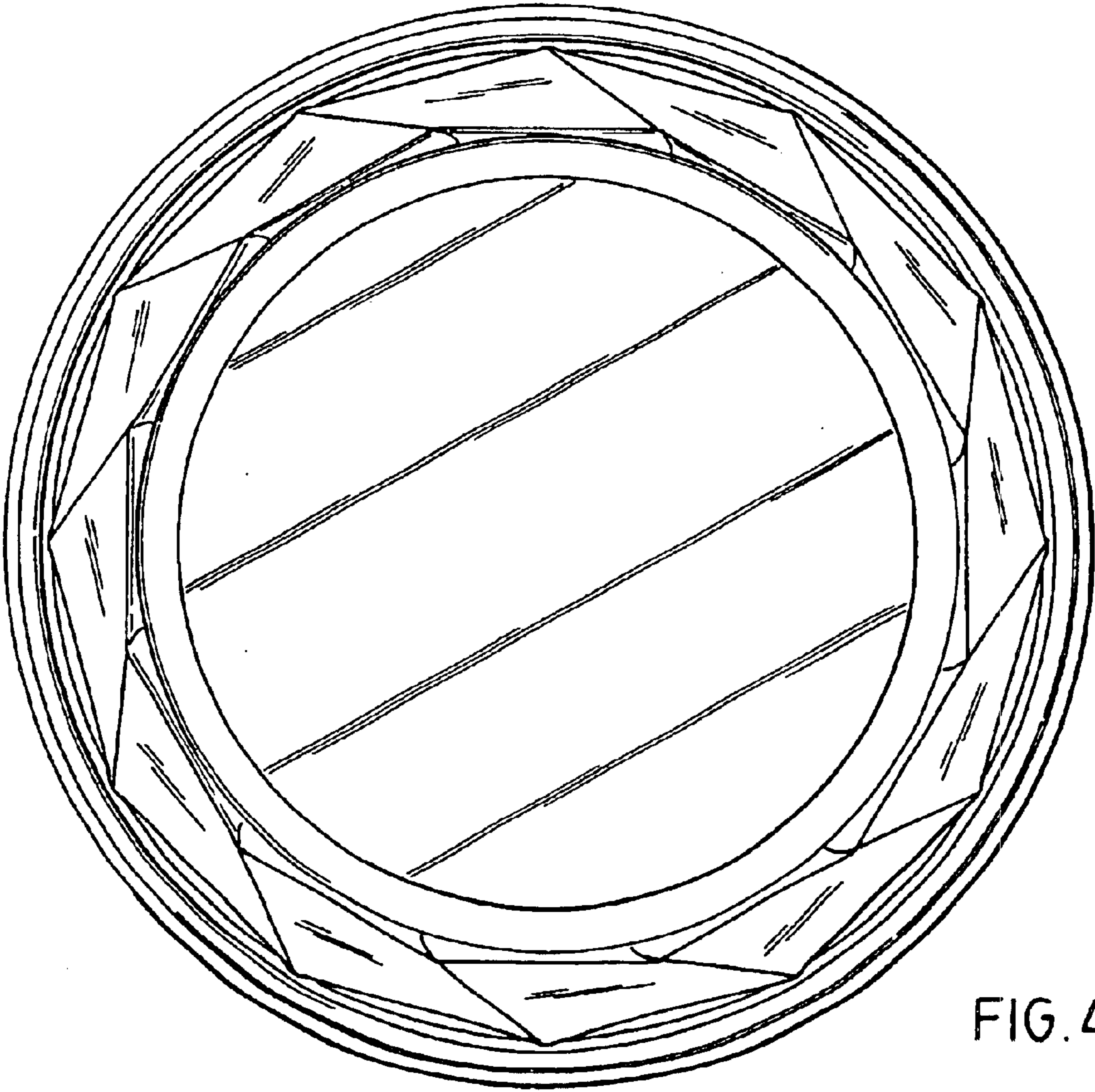


FIG. 4.

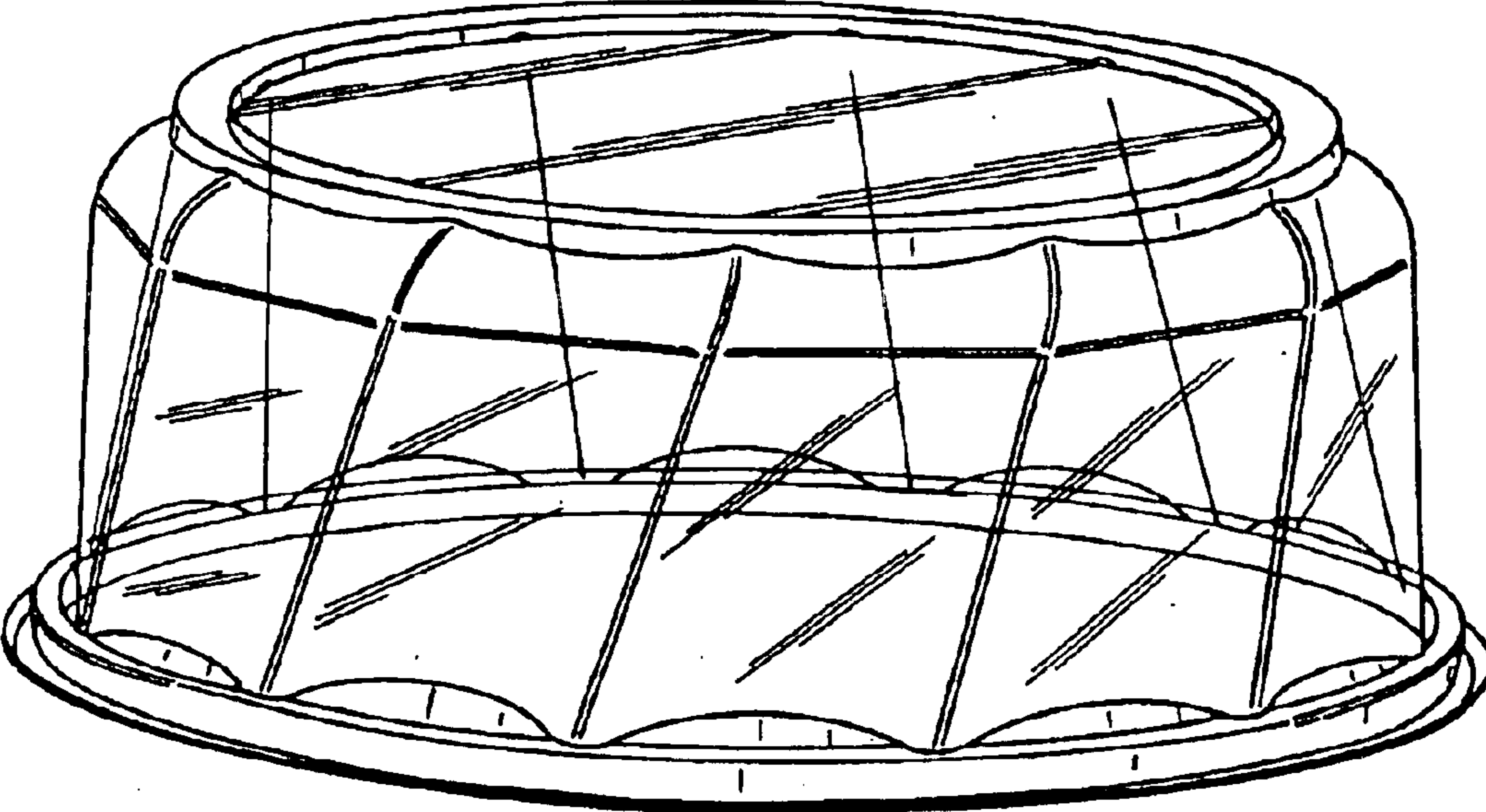


FIG. 5.

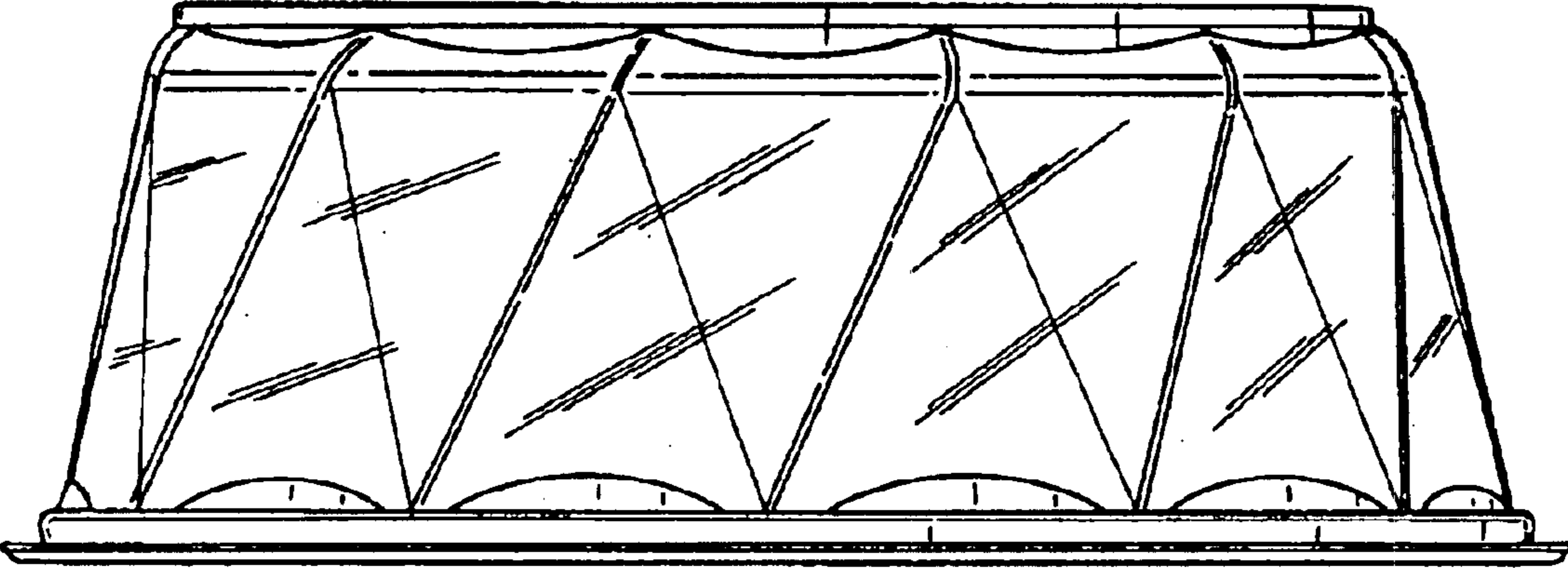


FIG. 6.