

US00D499634S

(12) **United States Design Patent** (10) **Patent No.:** **US D499,634 S**
Dolan et al. (45) **Date of Patent:** **** Dec. 14, 2004**

(54) **LOCK BOX SYSTEM**

(75) Inventors: **Michael Dolan**, San Francisco, CA (US); **Joel F. Jensen**, Redwood City, CA (US); **Russell Mead**, Mountain View, CA (US); **Alla Shapiro**, Mountain View, CA (US)

(73) Assignee: **Rapattoni Corporation**, Simi Valley, CA (US)

(**) Term: **14 Years**

(21) Appl. No.: **29/193,260**

(22) Filed: **Nov. 5, 2003**

(51) **LOC (7) Cl.** **08-07**

(52) **U.S. Cl.** **D8/333; D8/330**

(58) **Field of Search** D8/330-334, 301; 70/20, 21, 24, 51, 52, 54-58, 63, 31

(56) **References Cited**

U.S. PATENT DOCUMENTS

3,436,937	A	*	4/1969	Barrett	70/63
3,750,431	A	*	8/1973	Atkinson	70/21
3,812,403	A		5/1974	Gartner	317/134
4,148,092	A		4/1979	Martin	361/172
4,325,240	A		4/1982	Gable	70/284
4,532,783	A		8/1985	Maurice	70/63
4,578,969	A		4/1986	Larson	70/366
4,609,780	A		9/1986	Clark	179/2
4,727,368	A		2/1988	Larson et al.	340/825.31
4,766,746	A		8/1988	Henderson et al.	70/63

(List continued on next page.)

FOREIGN PATENT DOCUMENTS

WO WO 87/05069 8/1987

OTHER PUBLICATIONS

“The First KeyBox with a Brain and a Remote Opener” (iBox).

“GE launches new KeyBox for real estate market—The Supra iBox”, Press Release, GE Industrial Systems, Jul. 2002.

Primary Examiner—Prabhakar Deshmukh
(74) *Attorney, Agent, or Firm*—Sheldon & Mak; Jeffrey G. Sheldon

(57) **CLAIM**

The ornamental design for a lock box system, as shown and described.

DESCRIPTION

FIG. 1 is a perspective view of a lock box system with key of the present invention;

FIG. 2 is another perspective view of the lock of FIG. 1;

FIG. 3 is a front elevation view of the lock of FIG. 1;

FIG. 4 is a rear elevation view of the lock of FIG. 1;

FIG. 5 is a side elevation view of the lock of FIG. 1, wherein the other side elevation view is a mirror image thereof;

FIG. 6 is a top plan view of the lock of FIG. 1;

FIG. 7 is a bottom plan view of the lock of FIG. 1;

FIG. 8 is a front elevation view of the key as shown in FIG. 1, wherein the rear elevation view thereof is substantially identical;

FIG. 9 is a side elevation view of the key as shown in FIG. 1, wherein the other side elevation view is substantially identical;

FIG. 10 is another perspective view of the key as shown in FIG. 1;

FIG. 11 is a perspective view of the key of FIG. 1 with a cap thereon;

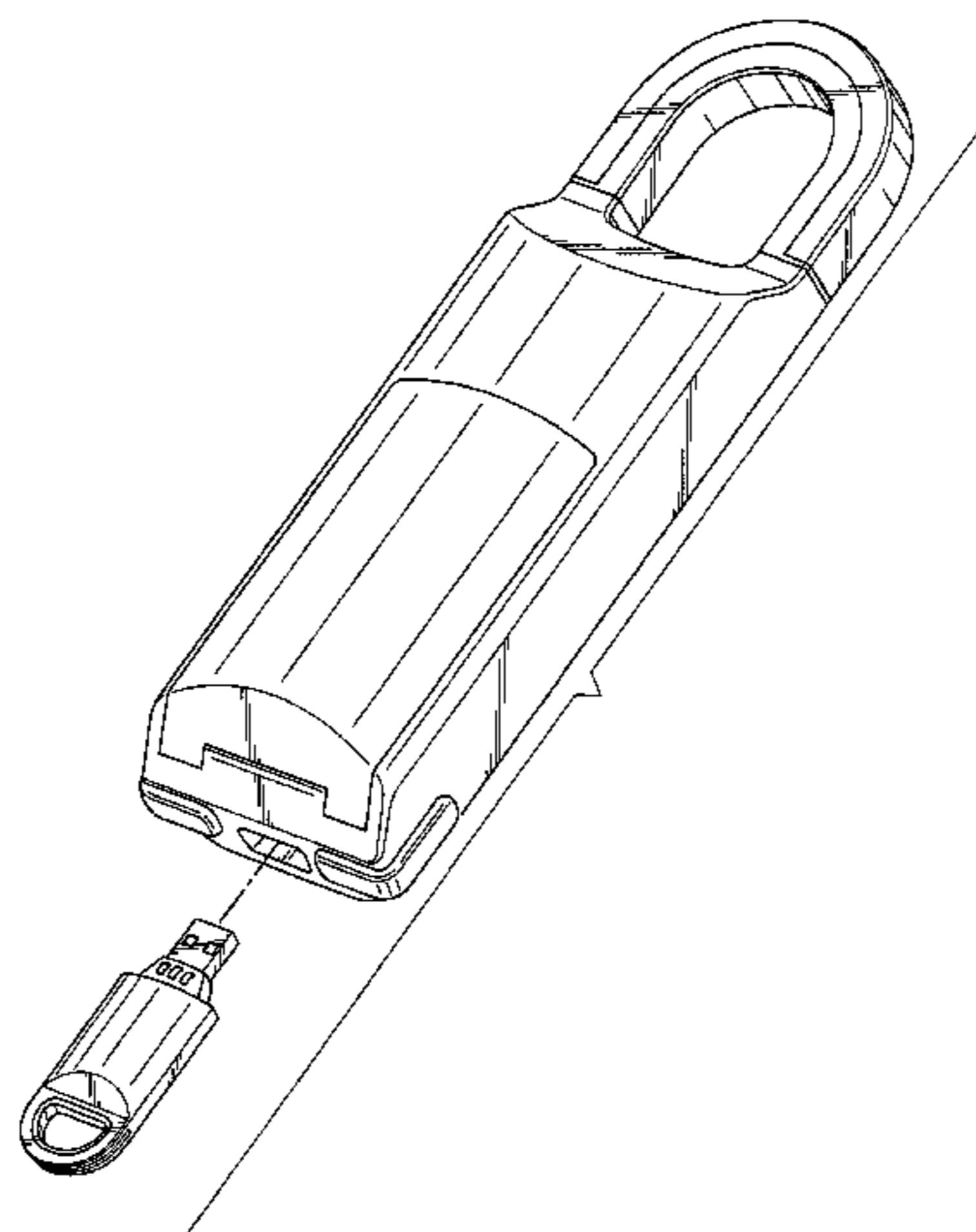
FIG. 12 is a front elevation view of the key as shown in FIG. 11 wherein the rear elevation view is substantially identical;

FIG. 13 is a side elevation view of the key as shown in FIG. 11 wherein the other side elevation view is substantially identical;

FIG. 14 is a top plan view of the key as shown in FIG. 12 wherein the bottom plan view thereof is substantially identical; and,

FIG. 15 is a bottom plan view of the key as shown in FIGS. 9 and 12.

1 Claim, 4 Drawing Sheets



US D499,634 S

Page 2

U.S. PATENT DOCUMENTS

4,808,993 A	2/1989	Clark	340/825.31	5,134,869 A	8/1992	Gable	70/63
D301,682 S *	6/1989	Gardenswartz	D8/333	5,218,846 A *	6/1993	Cook et al.	70/56
4,838,052 A	6/1989	Williams et al.	70/63	5,245,652 A	9/1993	Larson et al.	379/98
4,851,652 A *	7/1989	Imran	235/382	5,280,518 A *	1/1994	Danler et al.	379/102.06
4,887,292 A	12/1989	Barrett et al.	379/103	5,460,020 A	10/1995	Hungerford	70/63
4,896,246 A	1/1990	Henderson et al.	361/171	5,602,536 A	2/1997	Henderson et al.	340/825.31
4,914,732 A	4/1990	Henderson et al.	340/825	5,638,707 A *	6/1997	Gould	70/56
4,916,443 A	4/1990	Barrett et al.	340/825.31	5,791,172 A	8/1998	Deighton et al.	70/63
4,929,880 A	5/1990	Henderson et al.	320/30	5,999,095 A	12/1999	Earl et al.	340/542
4,947,163 A	8/1990	Henderson et al.	340/825.31	6,046,558 A	4/2000	Larson et al.	318/283
4,988,987 A	1/1991	Barrett et al.	340/825.31	6,047,575 A	4/2000	Larson et al.	70/278.1
5,014,049 A	5/1991	Bosley	340/825.31	D472,129 S *	3/2003	Hill et al.	D8/333
5,046,084 A	9/1991	Barrett et al.	379/100	6,526,786 B1 *	3/2003	Kayoda	70/56
5,046,339 A *	9/1991	Krell	70/55	6,708,534 B1 *	3/2004	Ruan	70/38 A
5,090,222 A	2/1992	Imran	70/63	D488,048 S *	4/2004	Wasson et al.	D8/333
5,124,696 A	6/1992	Bosley	340/825.31				

* cited by examiner

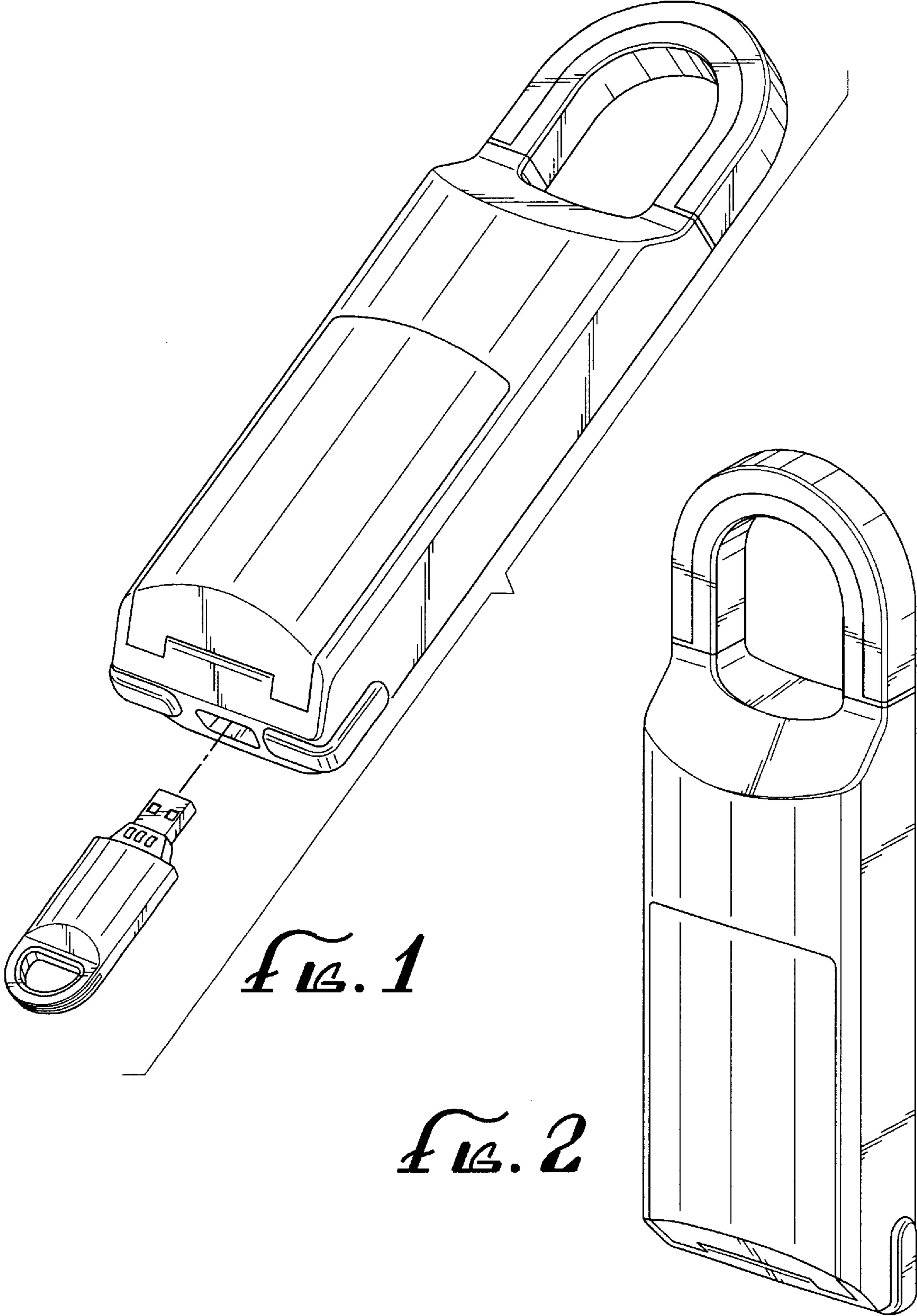


FIG. 1

FIG. 2

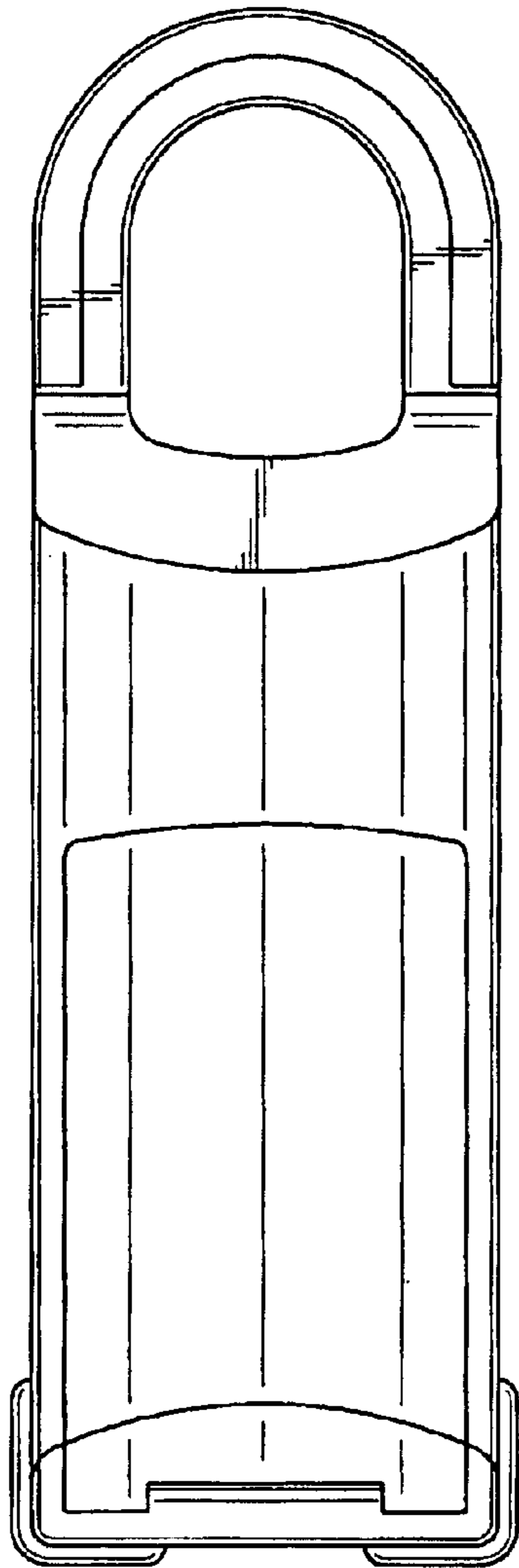


FIG. 3

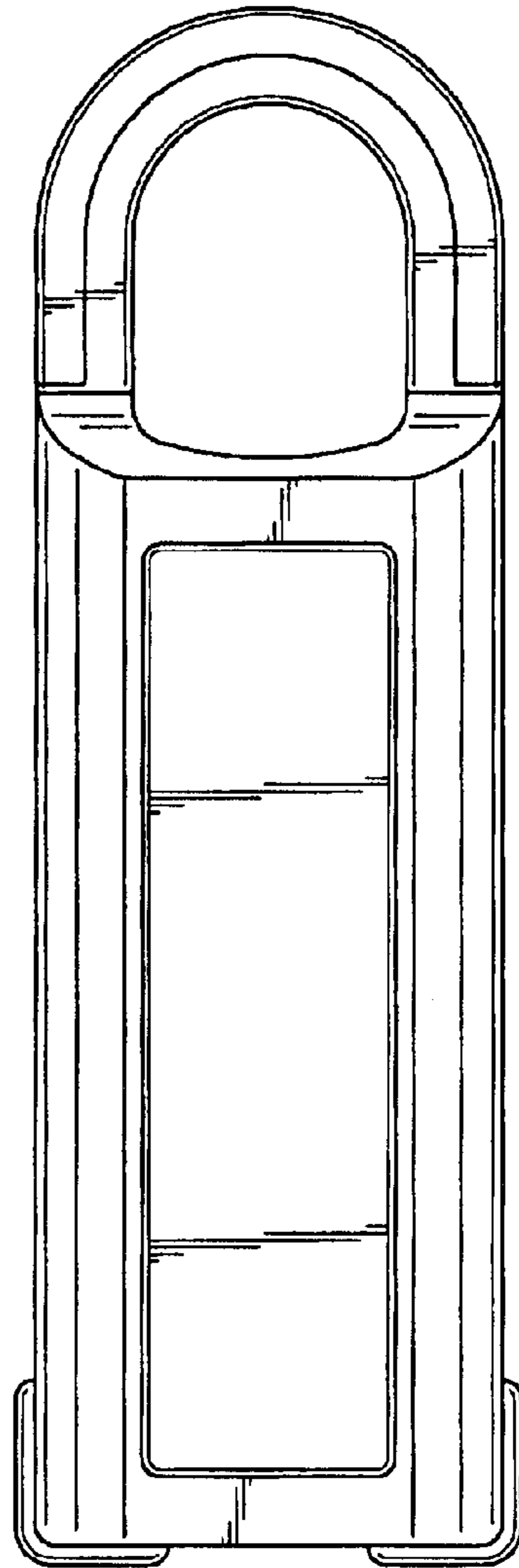


FIG. 4

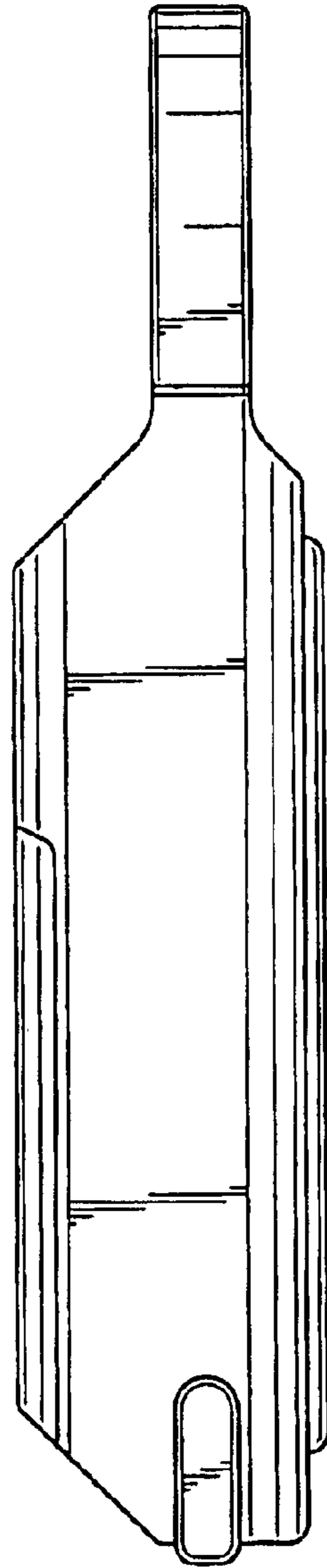


FIG. 5

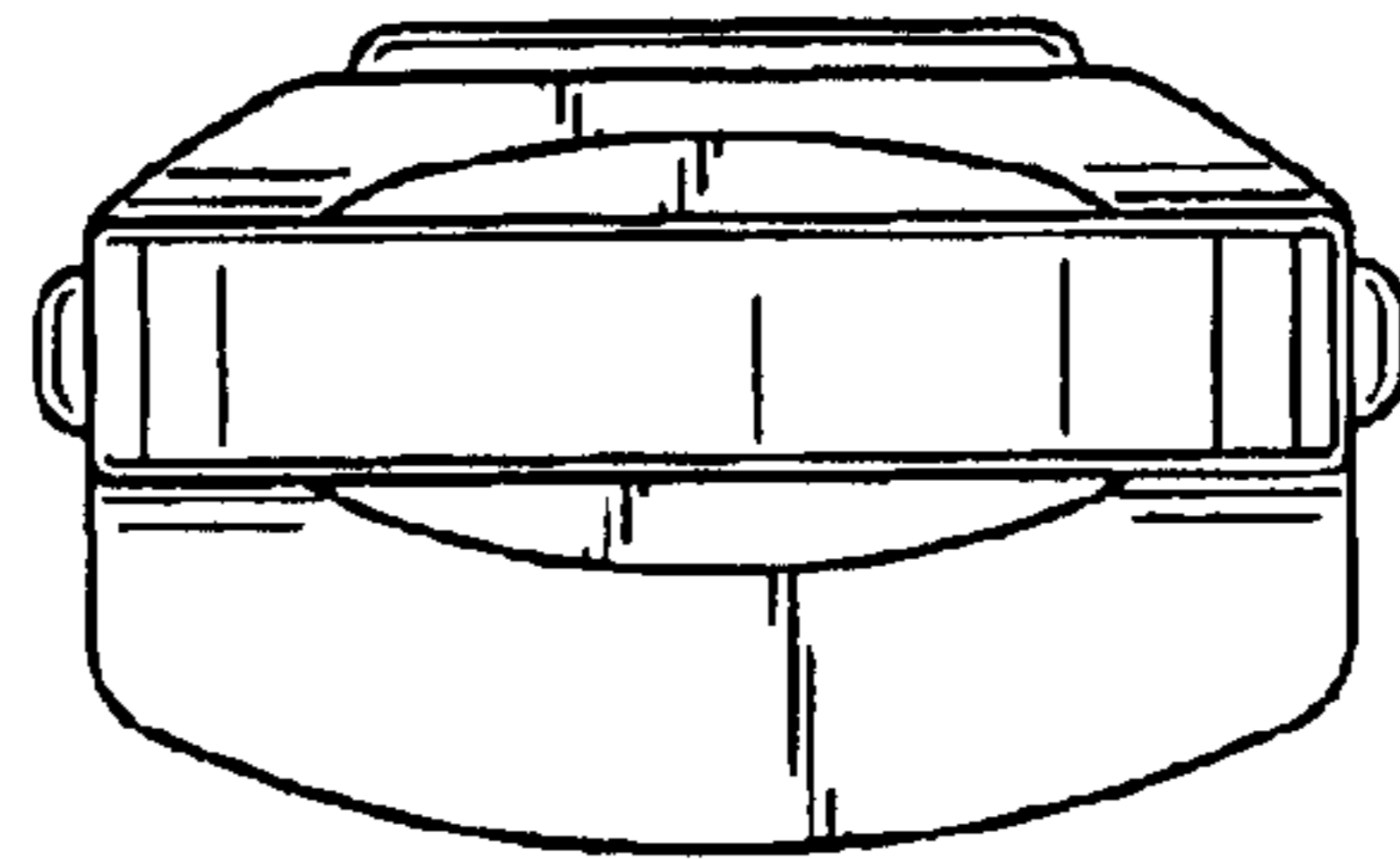


FIG. 6

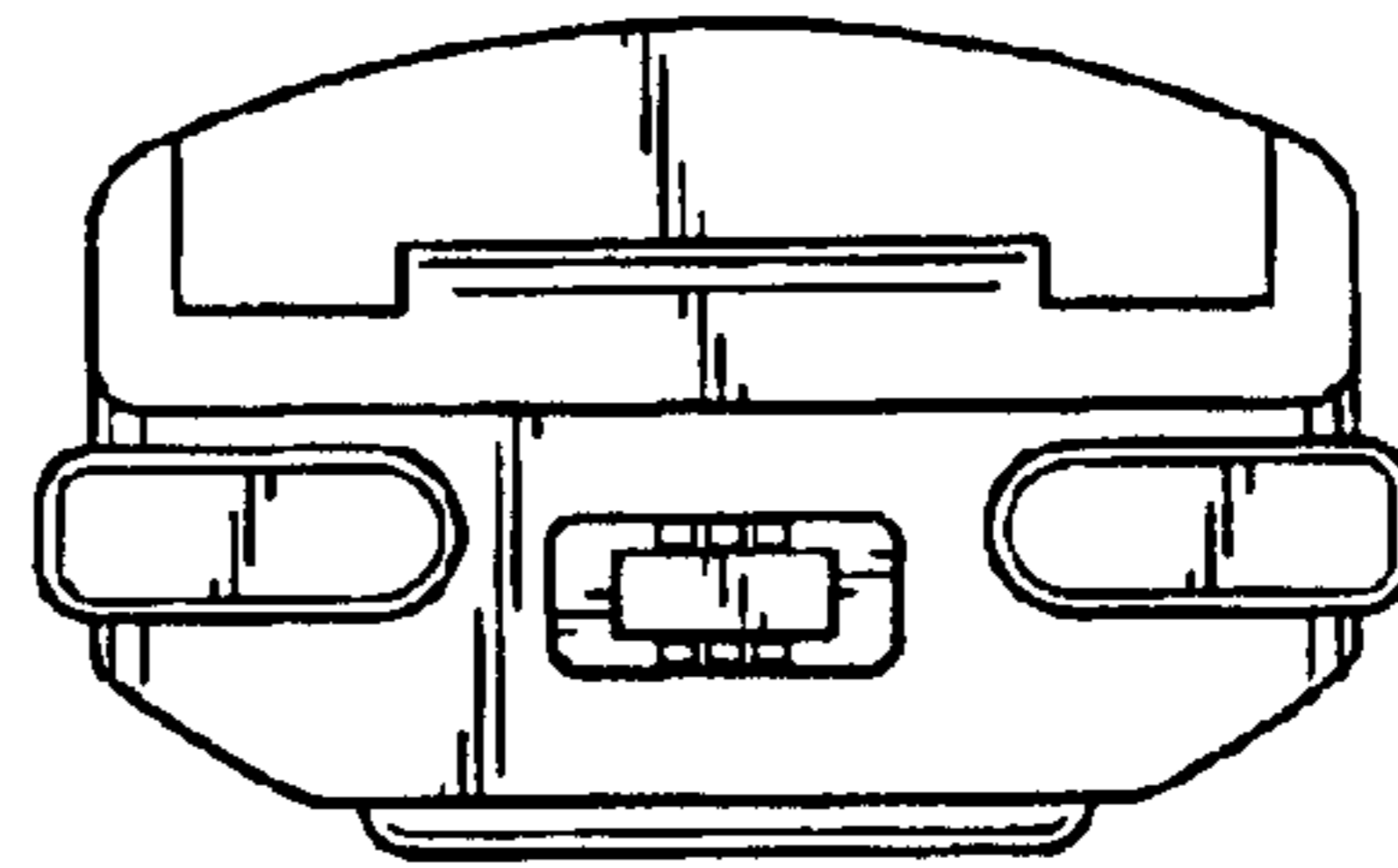


FIG. 7

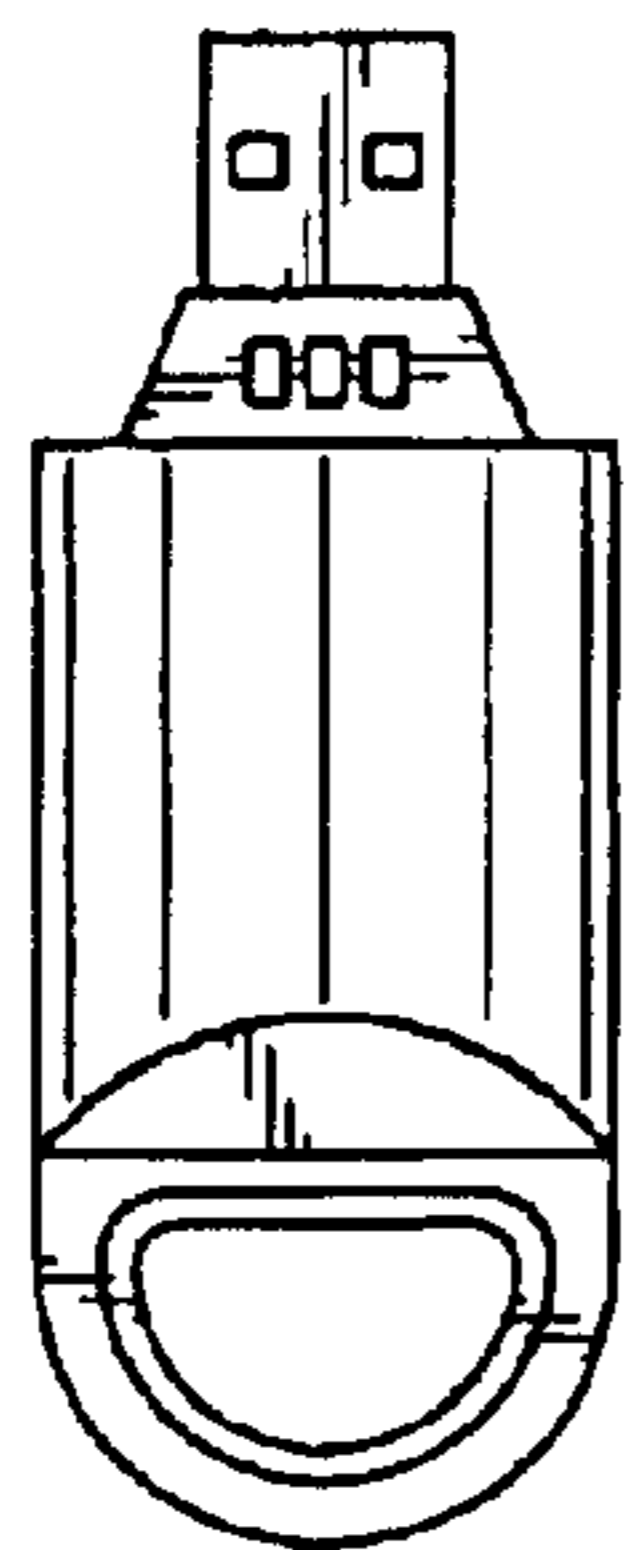


FIG. 8



FIG. 9

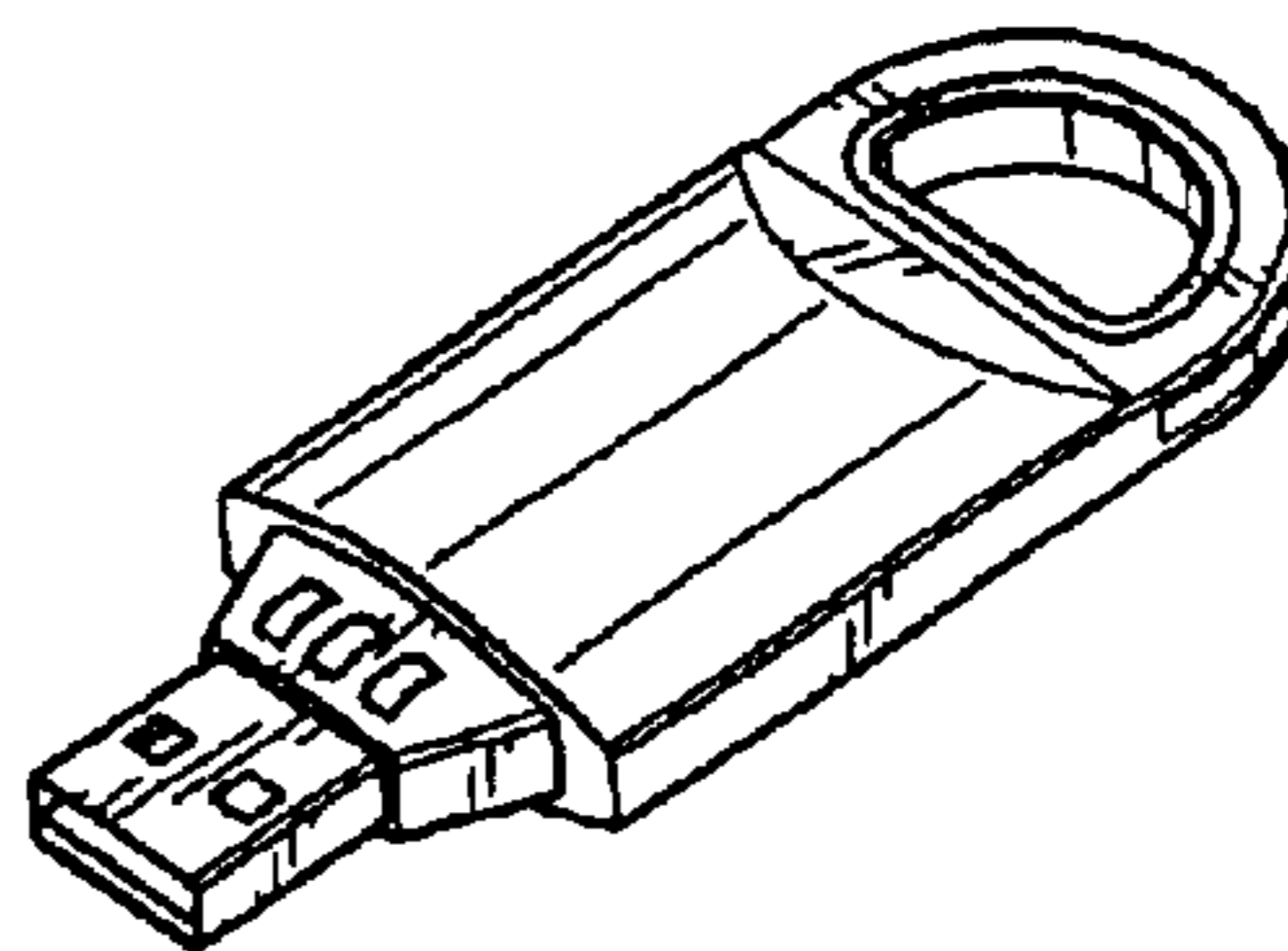


FIG. 10

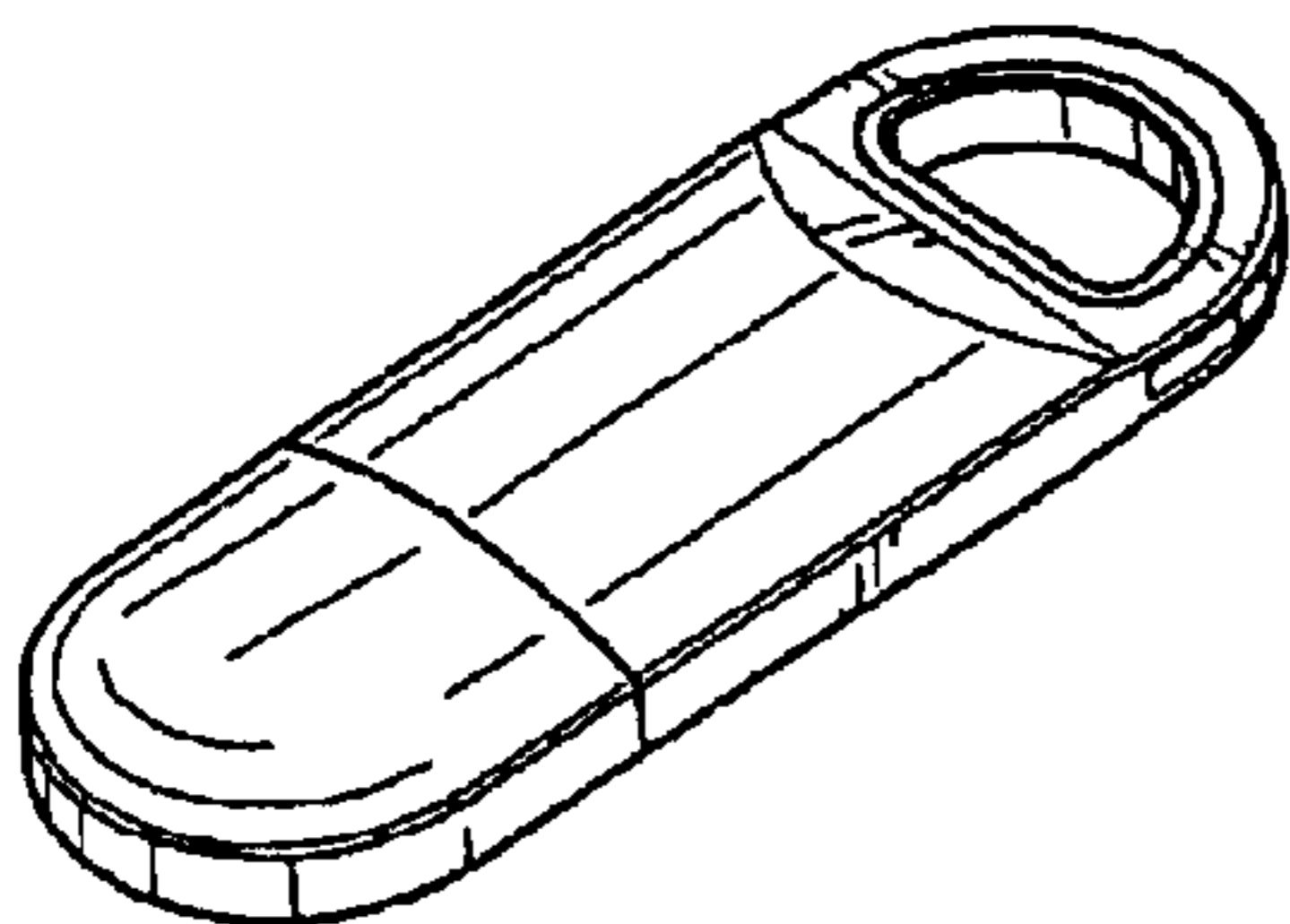


FIG. 11

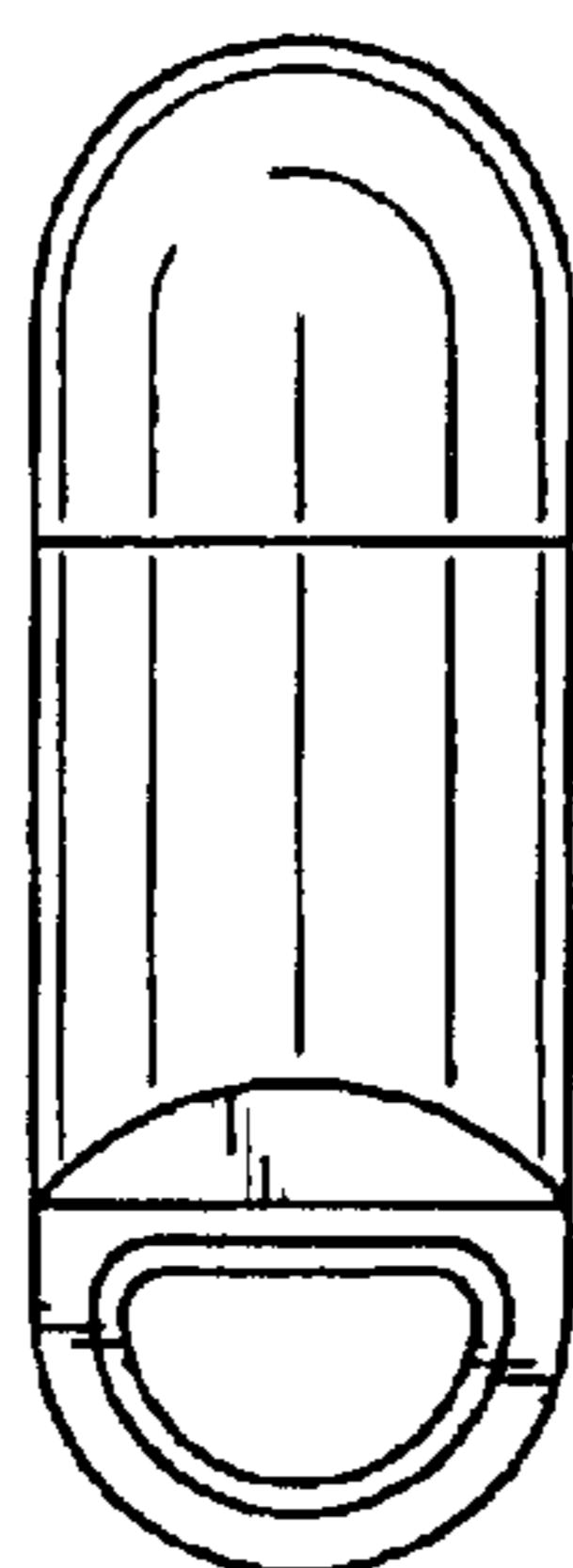


FIG. 12



FIG. 13



FIG. 14



FIG. 15