



US00D499633S

(12) **United States Design Patent**
Steinberger, Jr.

(10) **Patent No.:** **US D499,633 S**

(45) **Date of Patent:** **** Dec. 14, 2004**

(54) **THEFT DETERRENT DEVICE**
(75) **Inventor:** **John S. Steinberger, Jr., Kenmare, ND (US)**

(73) **Assignee:** **Porter Brothers, Corp., Minot, ND (US)**

(**) **Term:** **14 Years**

(21) **Appl. No.:** **29/167,910**

(22) **Filed:** **Jun. 17, 2002**

(51) **LOC (7) Cl.** **08-07**

(52) **U.S. Cl.** **D8/330; D8/343**

(58) **Field of Search** **D8/330, 331, 339, D8/341, 343, 349, 499; 70/57.1, 416, 14, 58, 258, 431, DIG. 56; 292/289, 290**

(56) **References Cited**

U.S. PATENT DOCUMENTS

- 3,718,014 A * 2/1973 Delgadillo 70/56
- D276,306 S * 11/1984 Turner et al. D8/330
- 5,007,263 A * 4/1991 Taylor 70/416
- D380,370 S * 7/1997 Carlson et al. D8/343
- D380,662 S * 7/1997 Sage D8/343

- 5,768,922 A * 6/1998 Lax 70/276
- 5,775,149 A * 7/1998 Small 70/416
- 6,374,648 B1 * 4/2002 Mitsuyama 70/57.1
- D468,621 S * 1/2003 Farrar et al. D8/339
- 6,612,139 B1 * 9/2003 Costa 70/57.1

* cited by examiner

Primary Examiner—Prabhakar Deshmukh

(74) *Attorney, Agent, or Firm*—Gray, Cary, Ware & Freidenrich, LLP

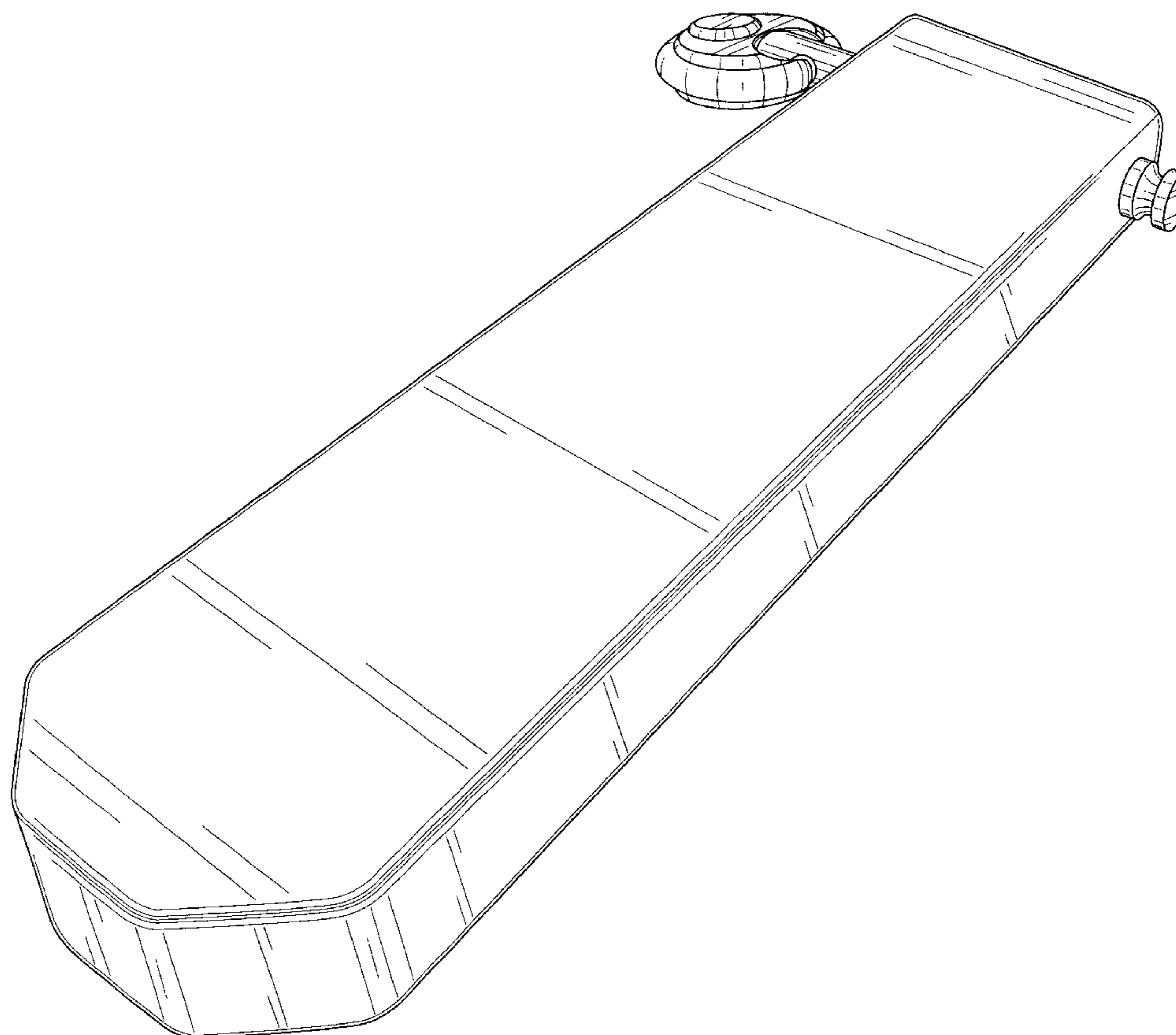
(57) **CLAIM**

The ornamental design for the theft deterrent device, as shown and described.

DESCRIPTION

FIG. 1 is a top perspective view of the theft deterrent device; FIG. 2 is a top plan view thereof; FIG. 3 is a side elevation view of the theft deterrent device; FIG. 4 is an opposite side elevation view thereof; FIG. 5 is an end elevation view of the theft deterrent device; FIG. 6 is an opposite end elevation view thereof; FIG. 7 is a bottom perspective view of the theft deterrent device; and, FIG. 8 is a bottom plan view thereof.

1 Claim, 7 Drawing Sheets



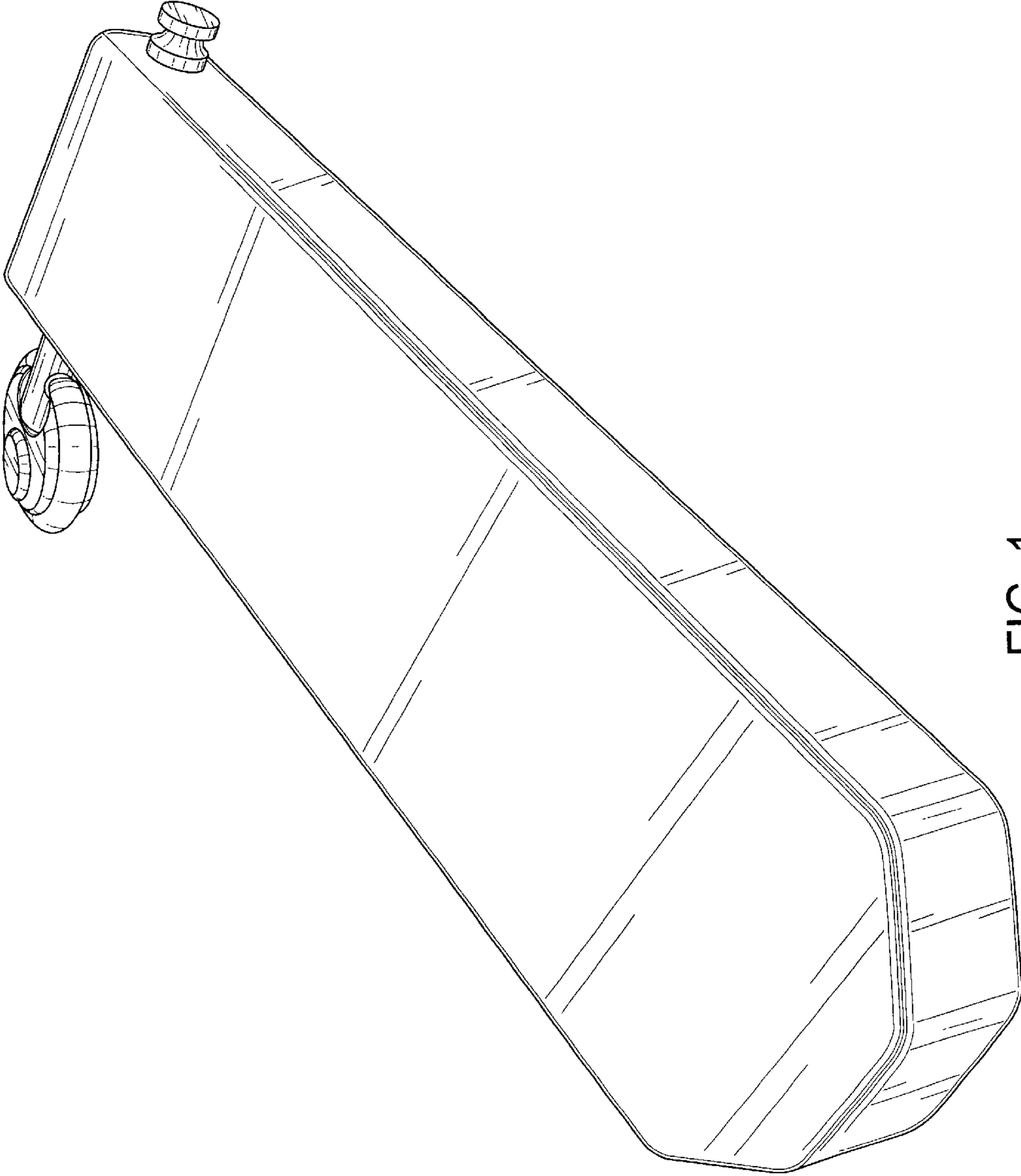


FIG. 1

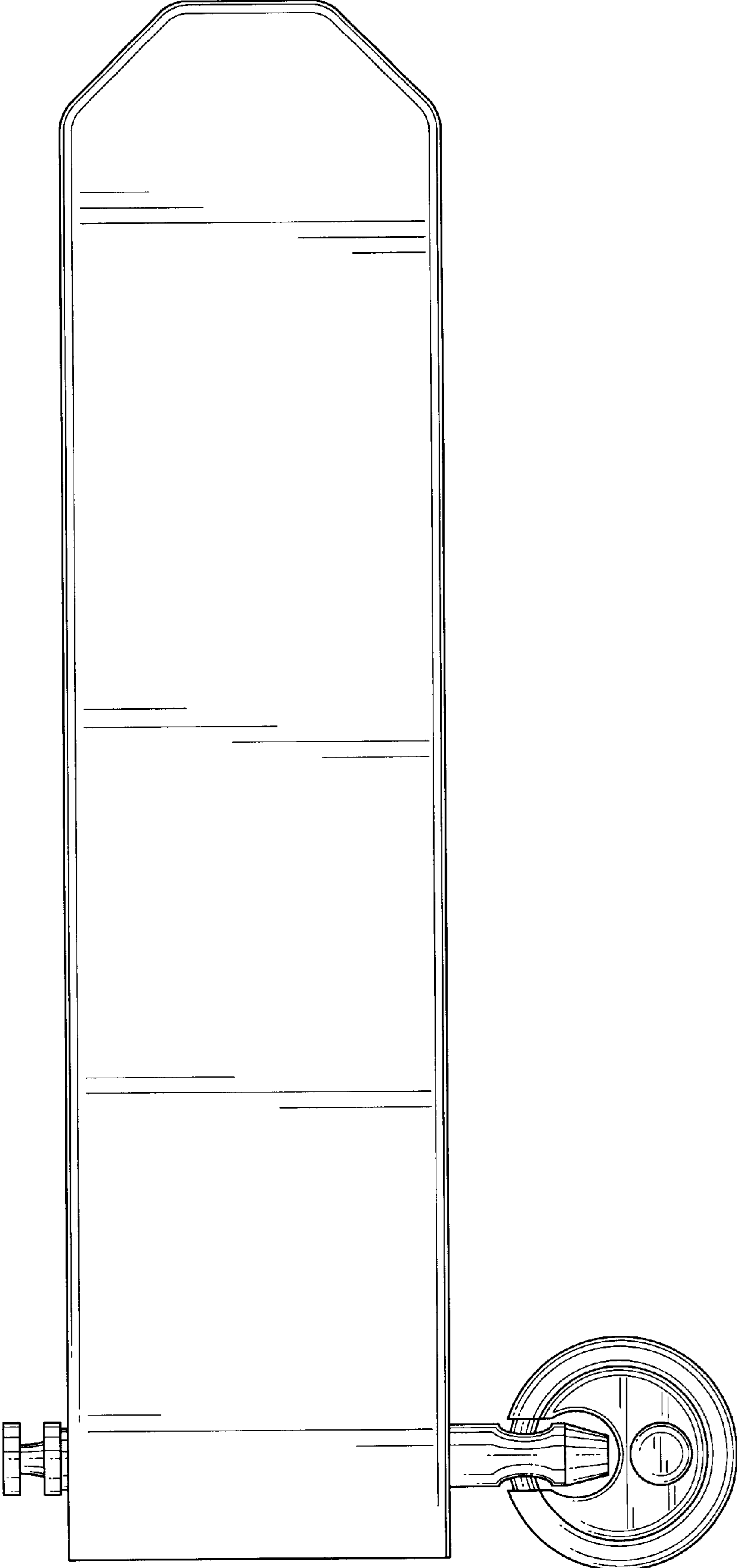


FIG. 2

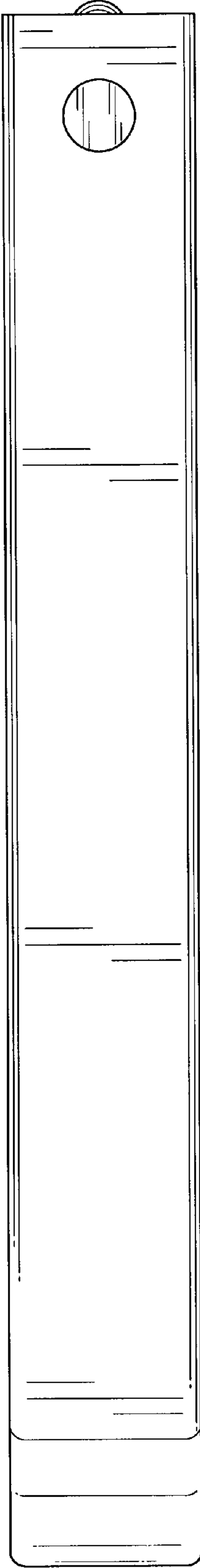


FIG. 3

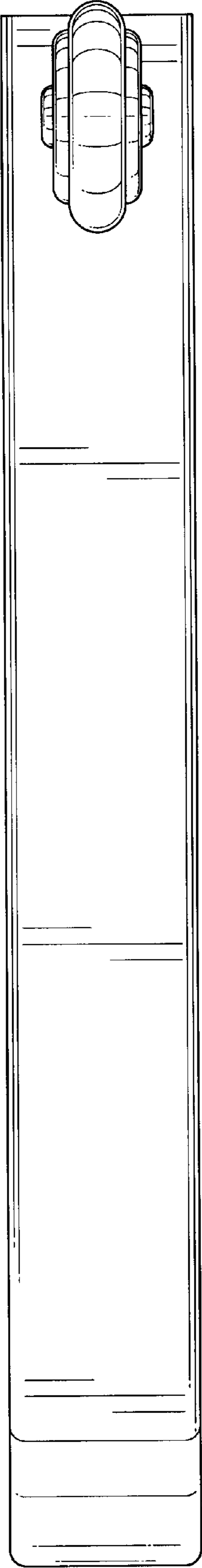


FIG. 4

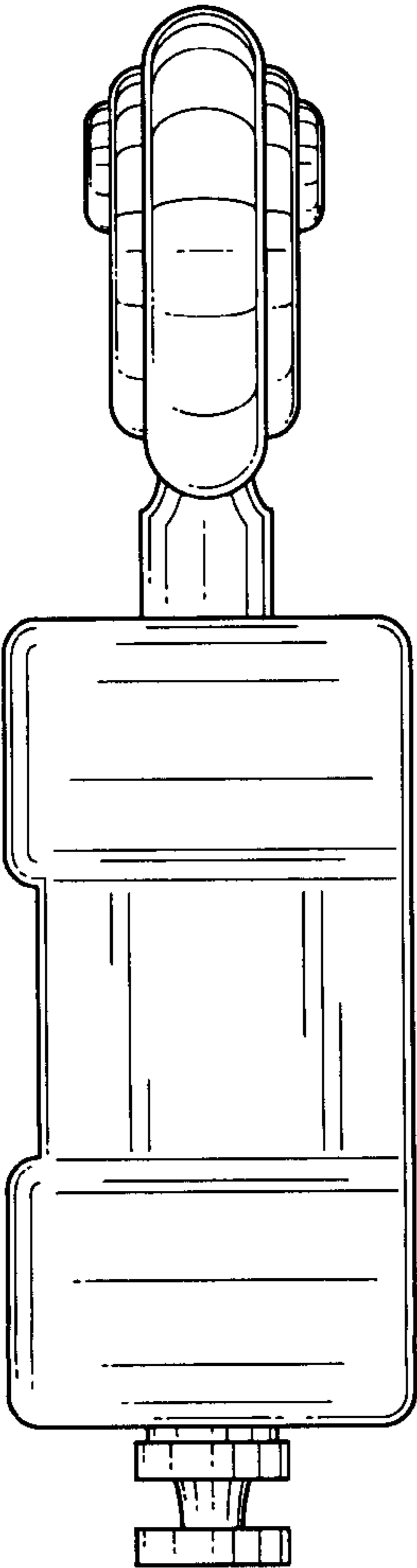


FIG. 5

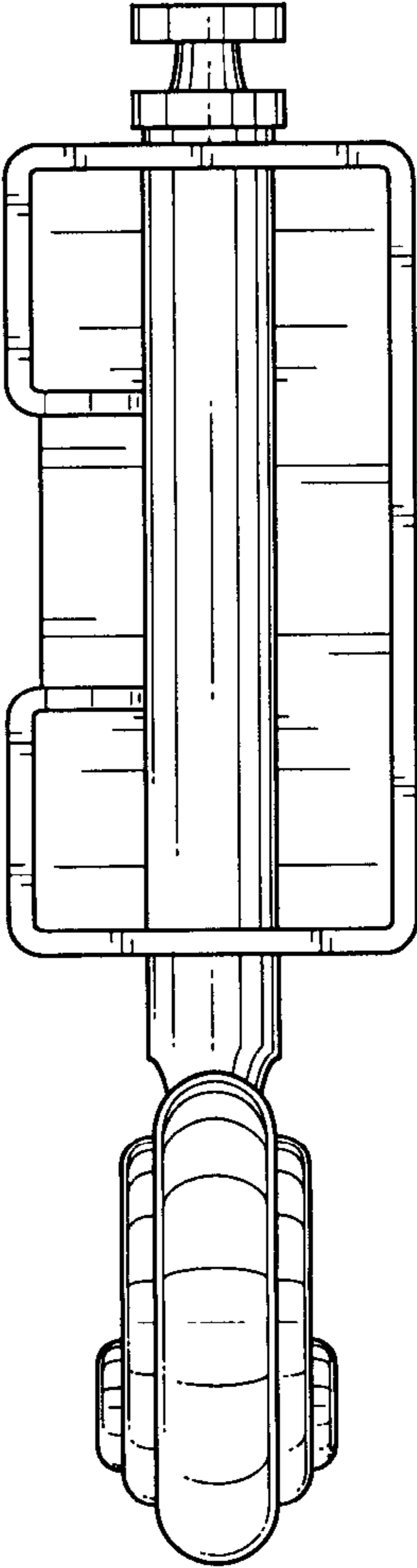


FIG. 6

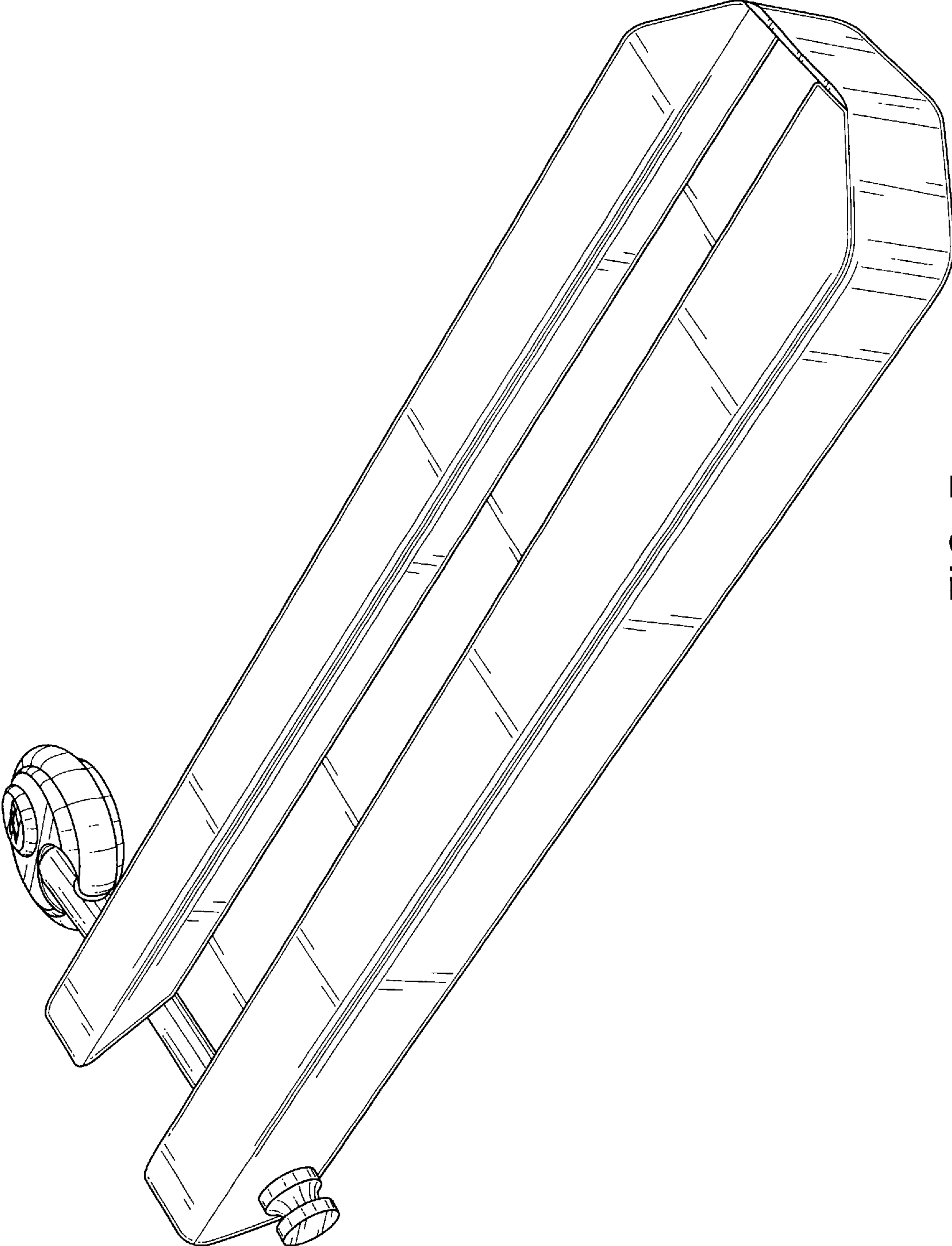


FIG. 7

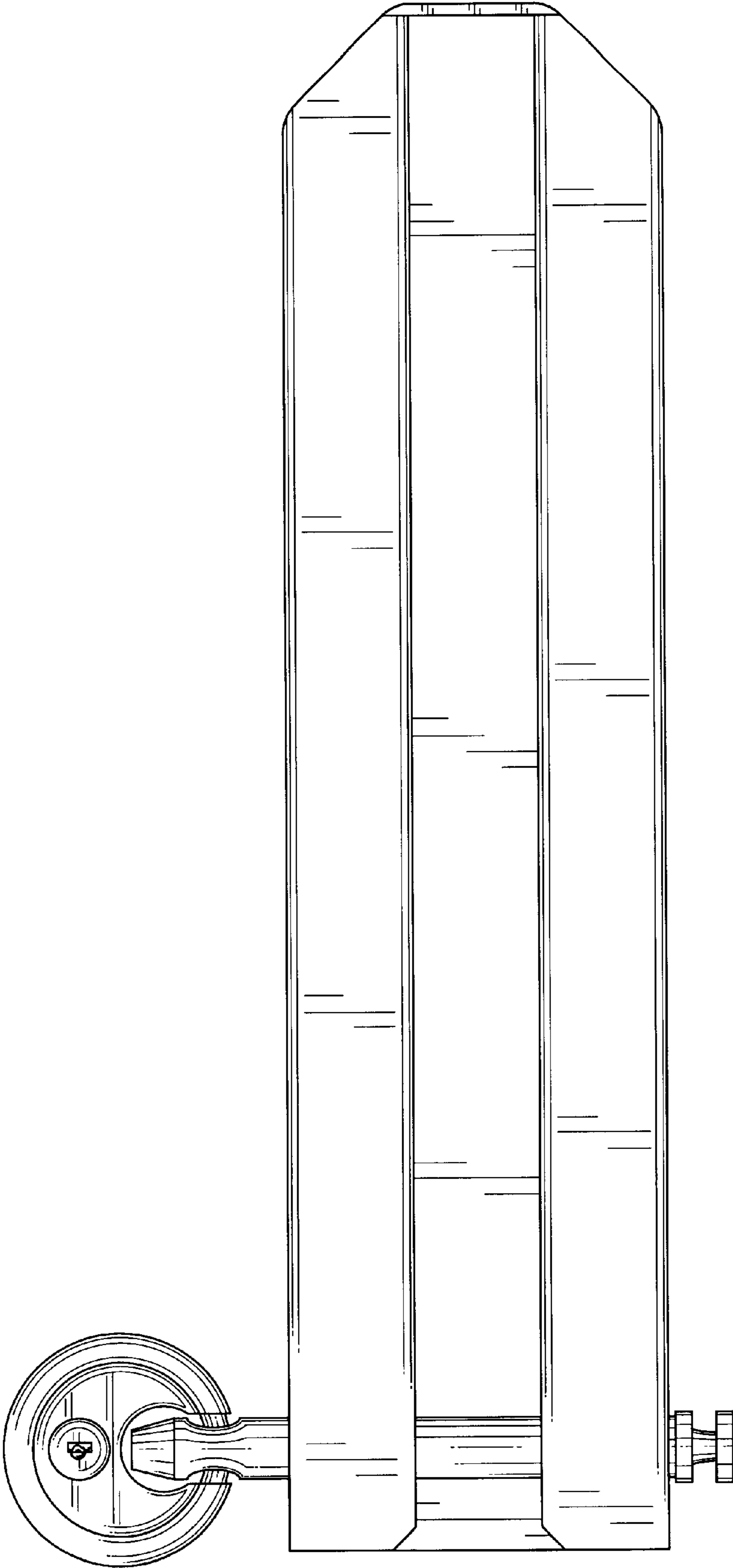


FIG. 8