



US00D499631S

(12) **United States Design Patent** (10) **Patent No.:** **US D499,631 S**
Sale, Jr. (45) **Date of Patent:** **** Dec. 14, 2004**

(54) **MULTI-STEP OVAL ROSETTE/OVAL DOOR KNOB**

(75) **Inventor:** **Kenneth Martin Sale, Jr.**, South San Francisco, CA (US)

(73) **Assignee:** **Sale Builders Hardware, Ltd.**, South San Francisco, CA (US)

(**) **Term:** **14 Years**

(21) **Appl. No.:** **29/186,731**

(22) **Filed:** **Jul. 23, 2003**

(51) **LOC (7) Cl.** **08-06**

(52) **U.S. Cl.** **D8/310; D8/301**

(58) **Field of Search** D8/301, 302, 307,
D8/310, 352, 353; D6/524, 549, 550; D23/254;
D26/138; 16/412, 402, 414, 442, 441; 292/347,
357, 336.3

(56) **References Cited**

U.S. PATENT DOCUMENTS

885,687 A * 4/1908 Chenoweth 16/414
D361,030 S * 8/1995 Bessette et al. D8/307
D405,216 S * 2/1999 Porter et al. D26/138
D405,995 S * 2/1999 Harris D6/524
D427,291 S * 6/2000 Milrud et al. D23/254
D453,897 S * 2/2002 LaPlume et al. D8/301

OTHER PUBLICATIONS

Page 2 of Better Home Products catalog featuring Embarcadero Collection (7800 Series). <http://www.betterhomeproducts.com/Web_Page_Project/catalogpg2-p.html>.

Page 3 of Better Home Products catalog featuring “Embarcadero III Collection” (9800 Series—Chrome & Brass Combination). <http://www.betterhomeproducts.com/Web_Page_Project/catalogpg3-p.html>.

* cited by examiner

Primary Examiner—Paula A. Greene

(74) *Attorney, Agent, or Firm*—Fitzpatrick, Cella, Harper & Scinto

(57) **CLAIM**

The ornamental design for a multi-step oval rosette/oval door knob, as shown and described.

DESCRIPTION

FIG. 1 is a perspective view of a multi-step oval rosette/oval door knob showing my new design; FIG. 2 is a front view thereof; FIG. 3 is a side view thereof; FIG. 4 is a bottom view thereof; and, FIG. 5 is a backside view thereof.

1 Claim, 1 Drawing Sheet

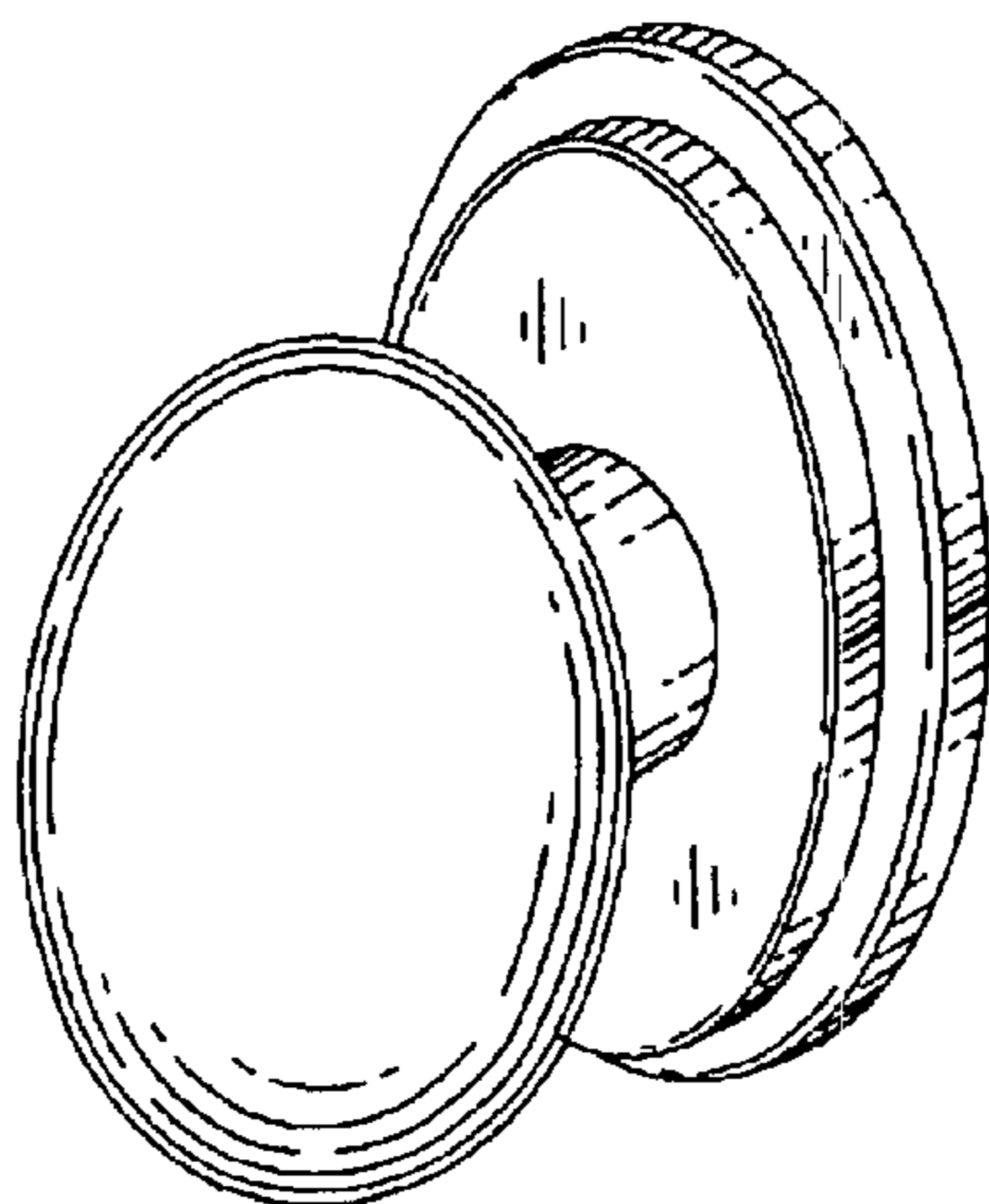


Fig. 1

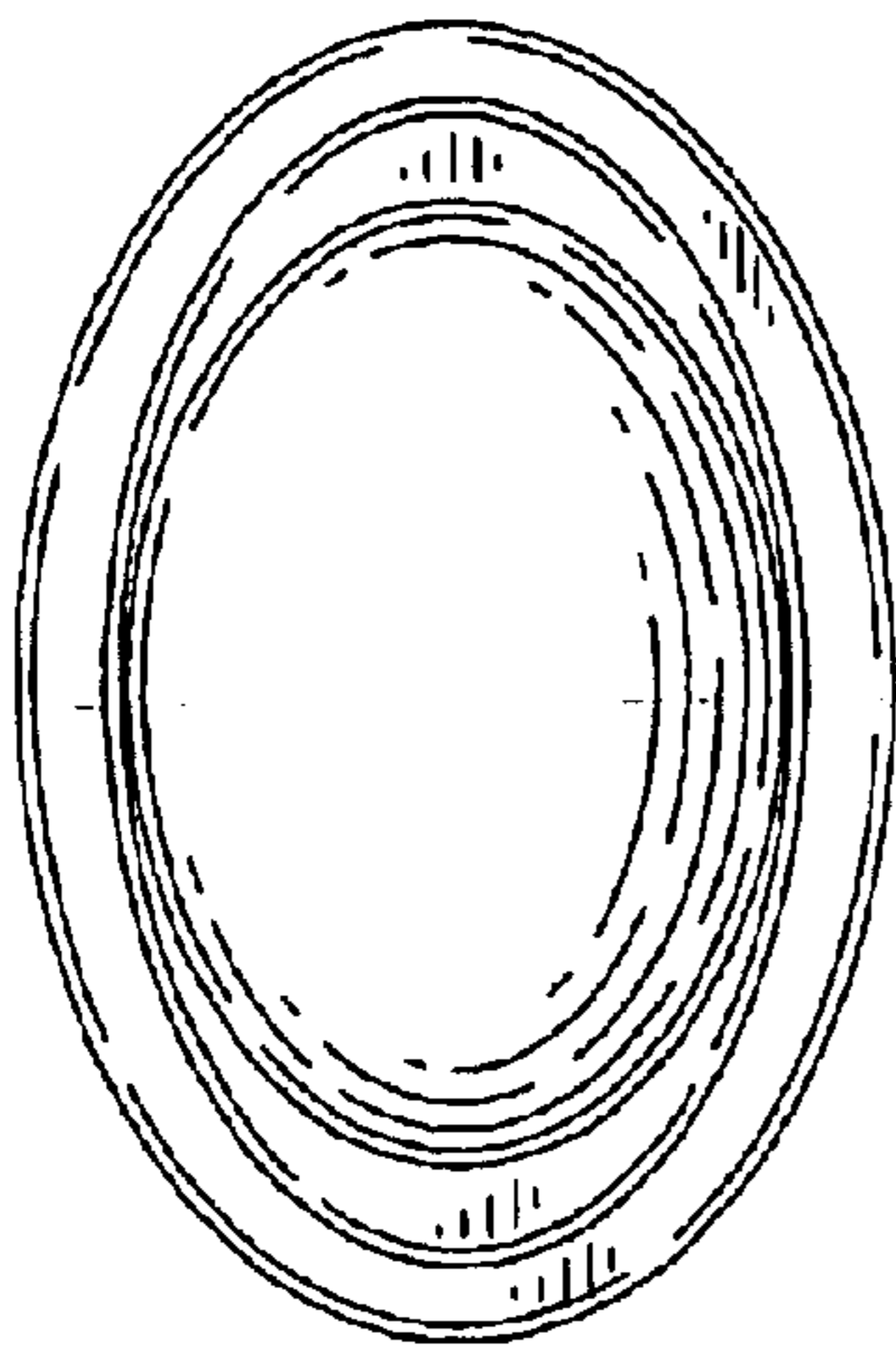
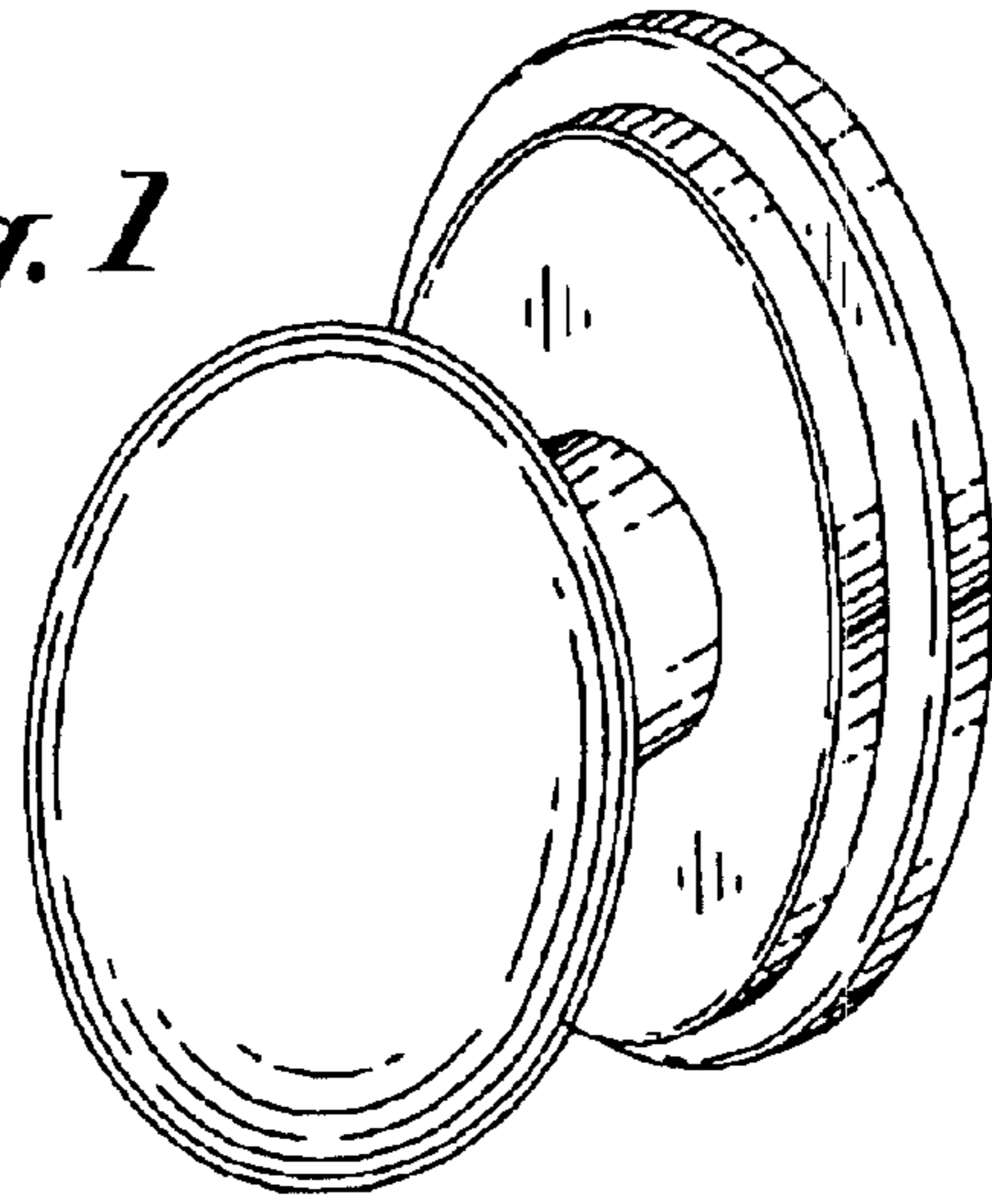


Fig. 2

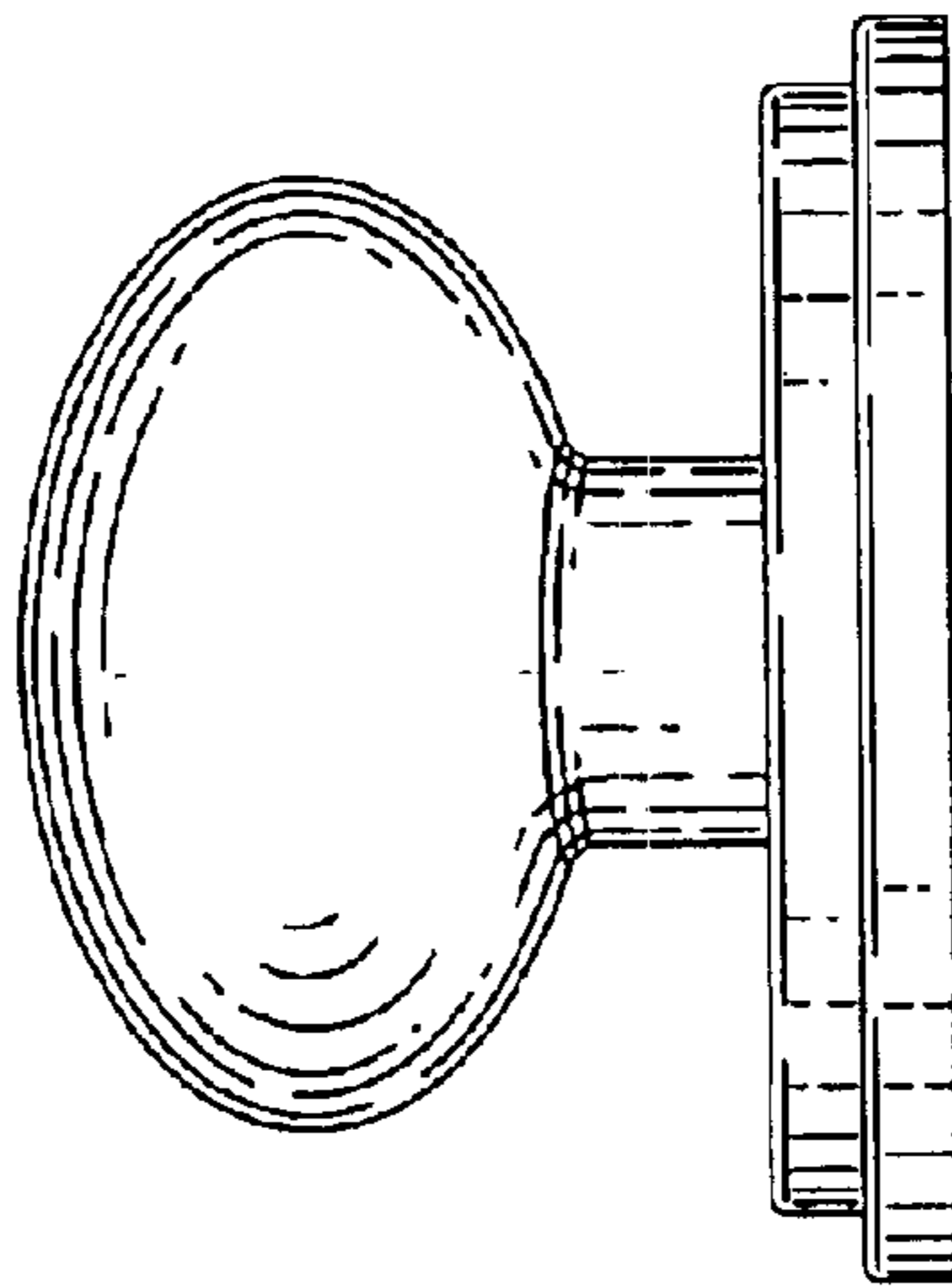


Fig. 3

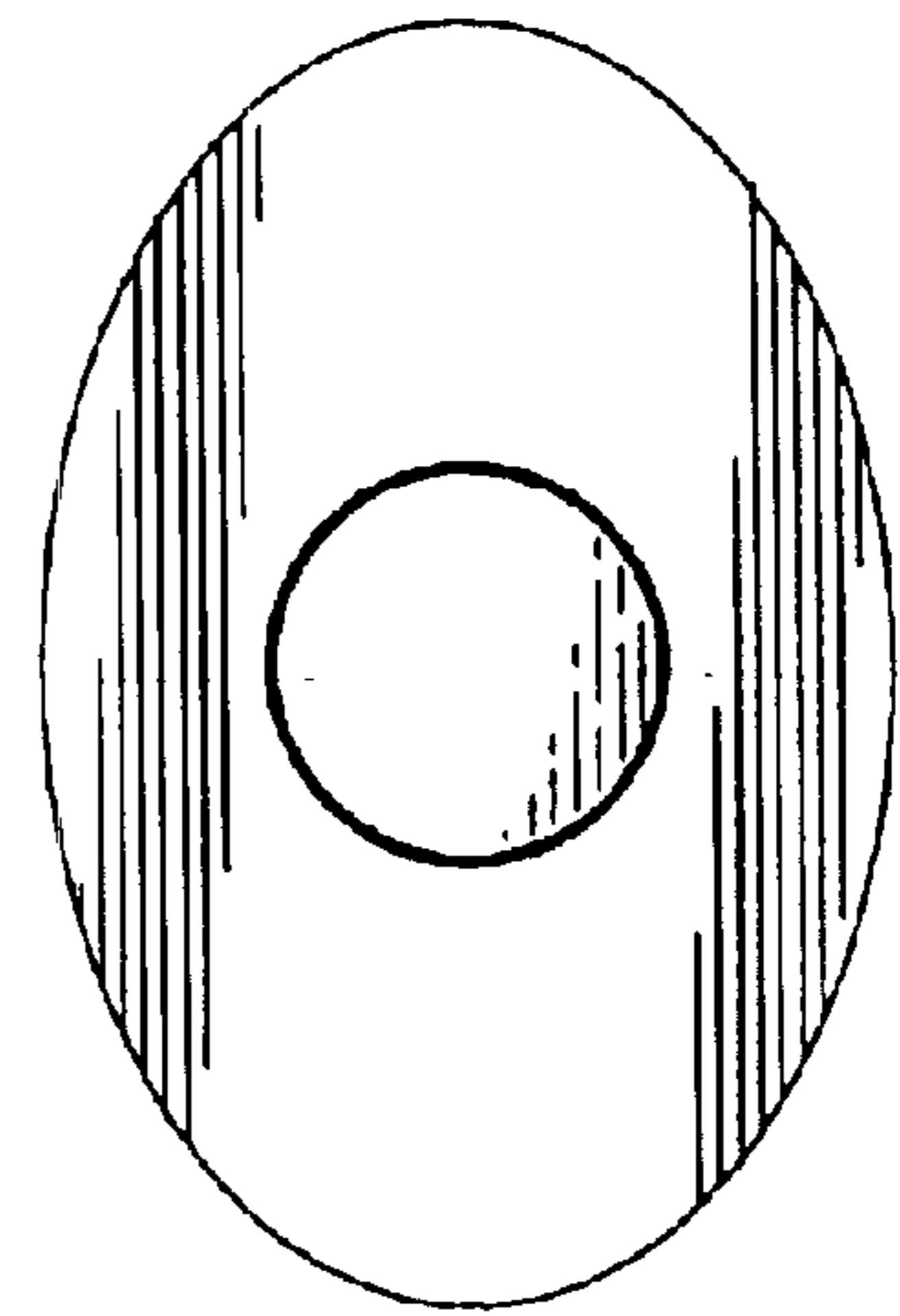


Fig. 5

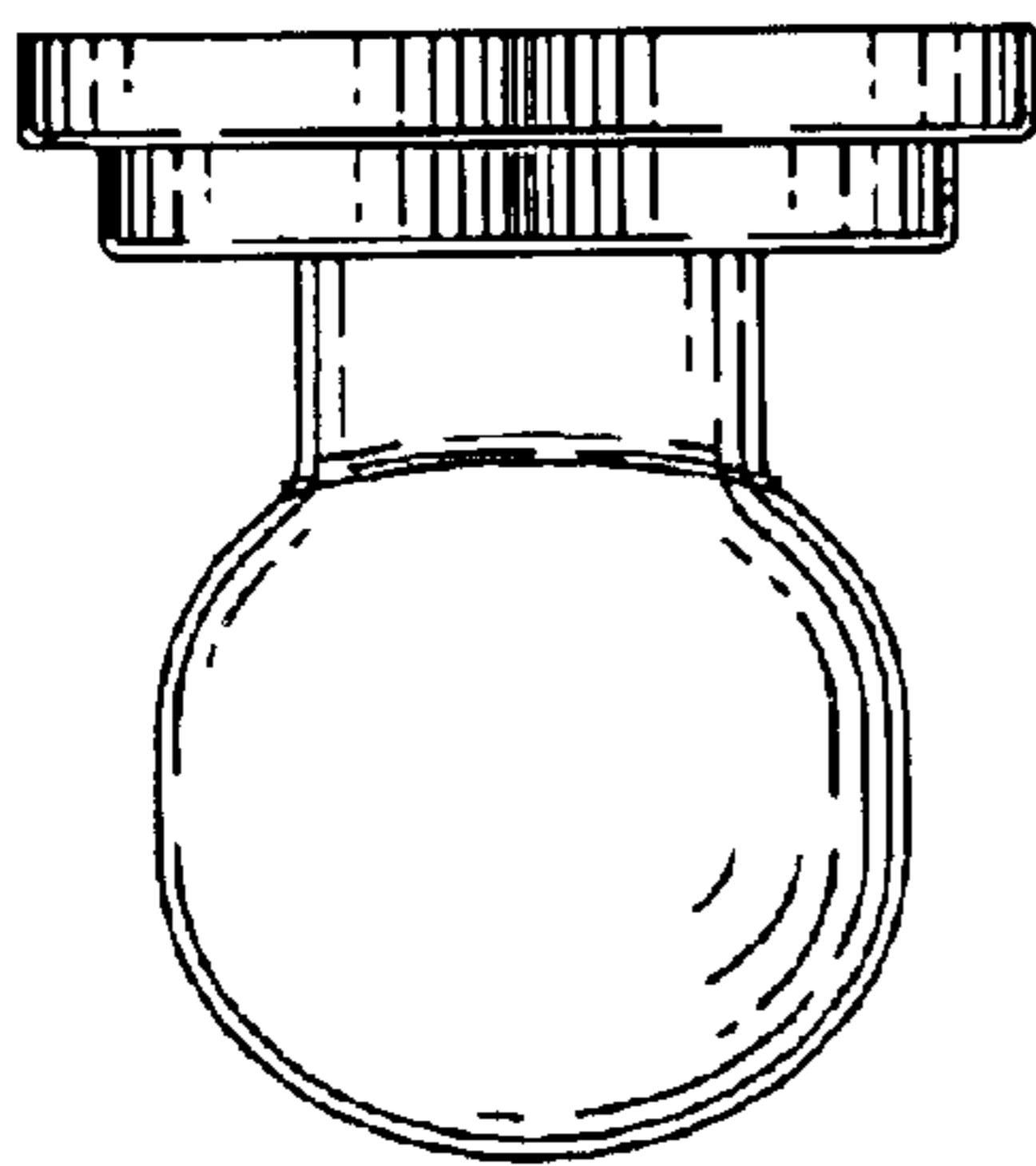


Fig. 4