

US00D499630S

(12) **United States Design Patent**  
**Roberts, III**

(10) **Patent No.:** **US D499,630 S**  
(45) **Date of Patent:** **\*\* Dec. 14, 2004**

(54) **HANDLESET**

D318,214 S \* 7/1991 Fleming et al. .... D8/301  
D451,782 S \* 12/2001 Dewald ..... D8/317

(75) **Inventor:** **Rockwood T. Roberts, III**, Shillington,  
PA (US)

\* cited by examiner

(73) **Assignee:** **Newfrey LLC**, Newark, DE (US)

*Primary Examiner*—Paula A Greene  
(74) *Attorney, Agent, or Firm*—Richard J. Veltman; John D.  
Del Ponti

(\*\*) **Term:** **14 Years**

(57) **CLAIM**

(21) **Appl. No.:** **29/187,480**

The ornamental design for a handset, as shown and  
described.

(22) **Filed:** **Jul. 31, 2003**

(51) **LOC (7) Cl.** ..... **08-06**

**DESCRIPTION**

(52) **U.S. Cl.** ..... **D8/301**

(58) **Field of Search** ..... D8/300, 301, 302,  
D8/307, 308, 310, 317, 350, 352, 353;  
70/422, 452; 74/519, 523; 292/347, 357

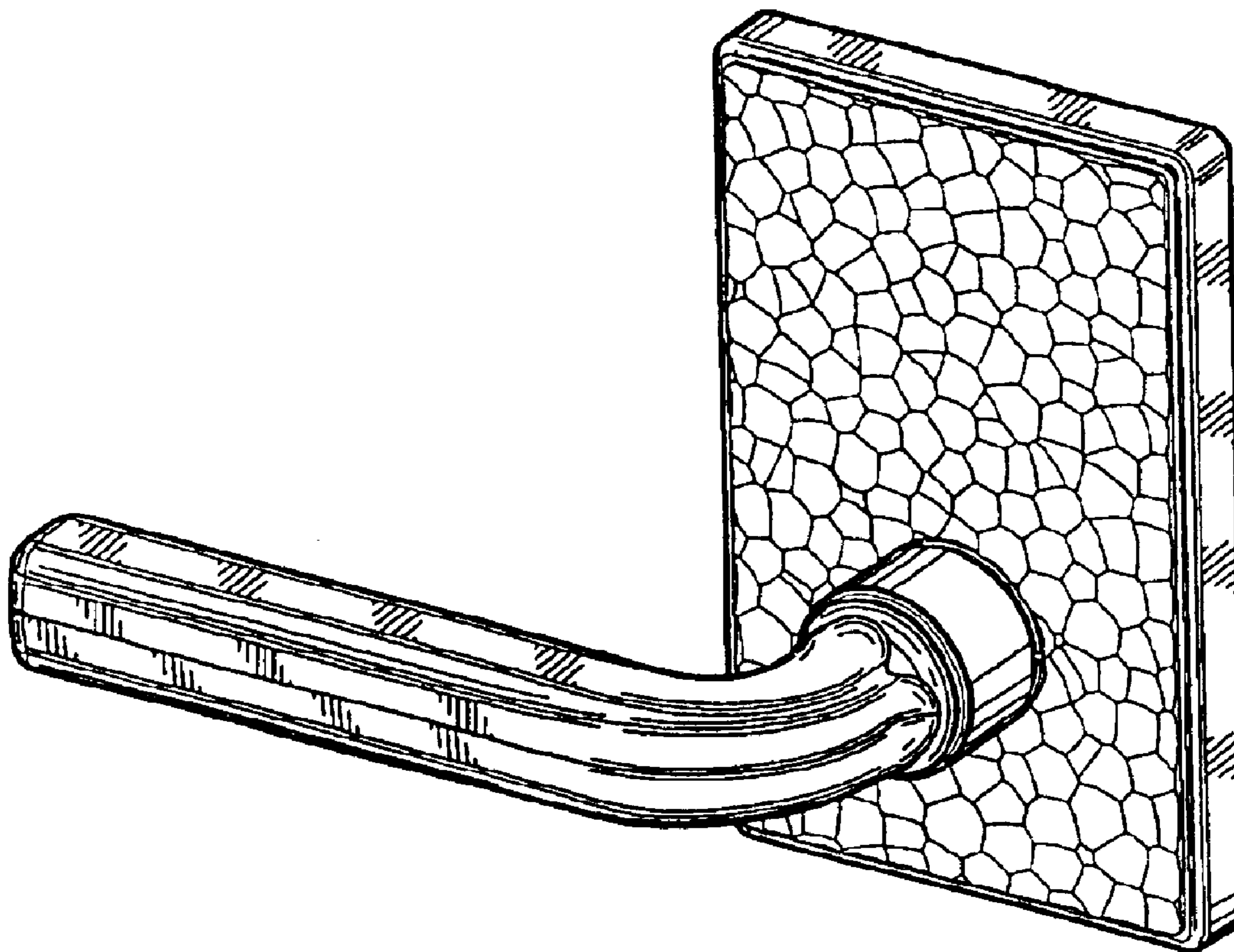
FIG. 1 is a perspective view of a handset showing my new  
design;  
FIG. 2 is a front elevational view thereof;  
FIG. 3 is a bottom plan view thereof;  
FIG. 4 is a left side view thereof;  
FIG. 5 is a right side view thereof; and,  
FIG. 6 is a bottom plan view thereof.

(56) **References Cited**

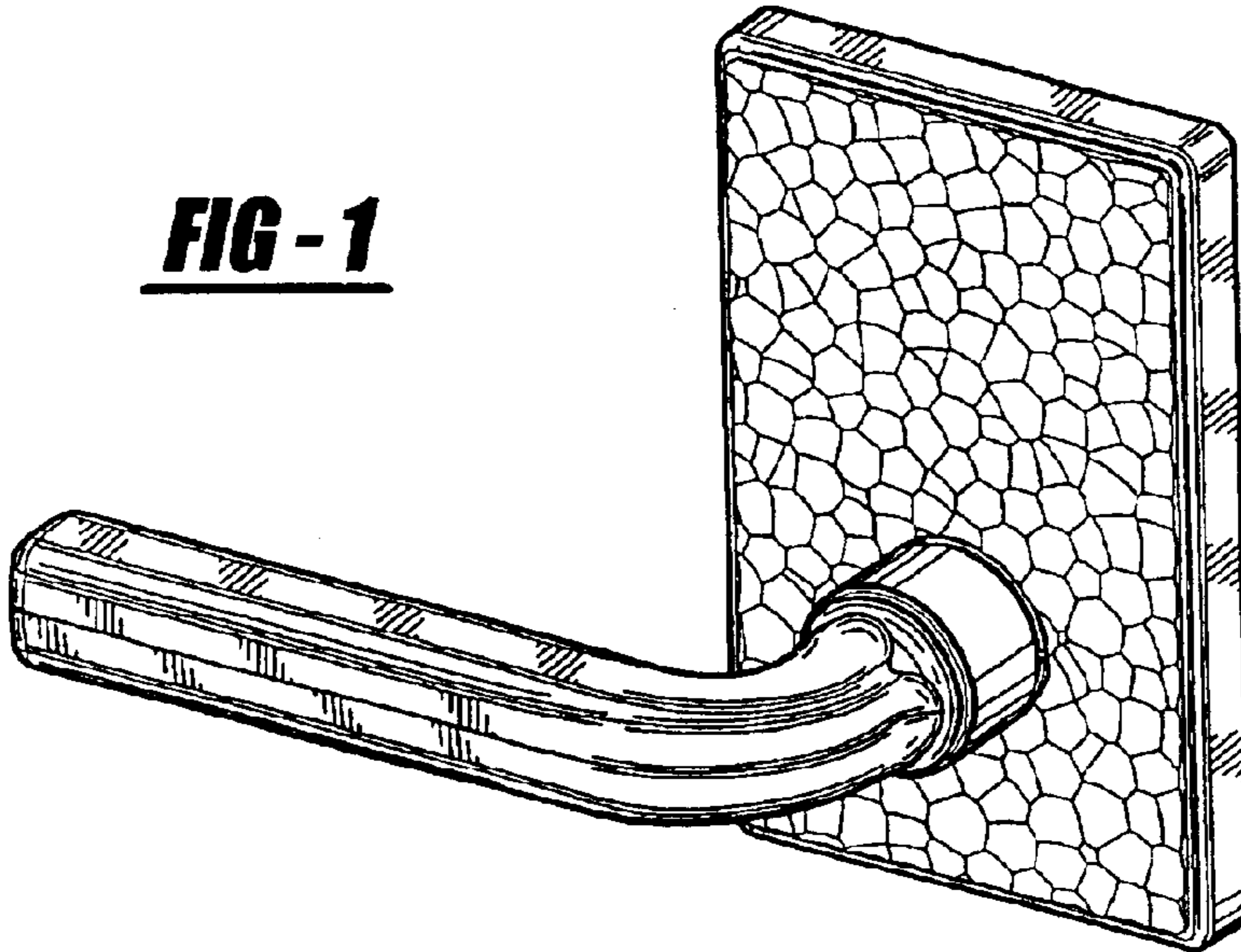
**U.S. PATENT DOCUMENTS**

D312,956 S \* 12/1990 Boeri ..... D8/308  
D314,129 S \* 1/1991 Zanini ..... D8/301

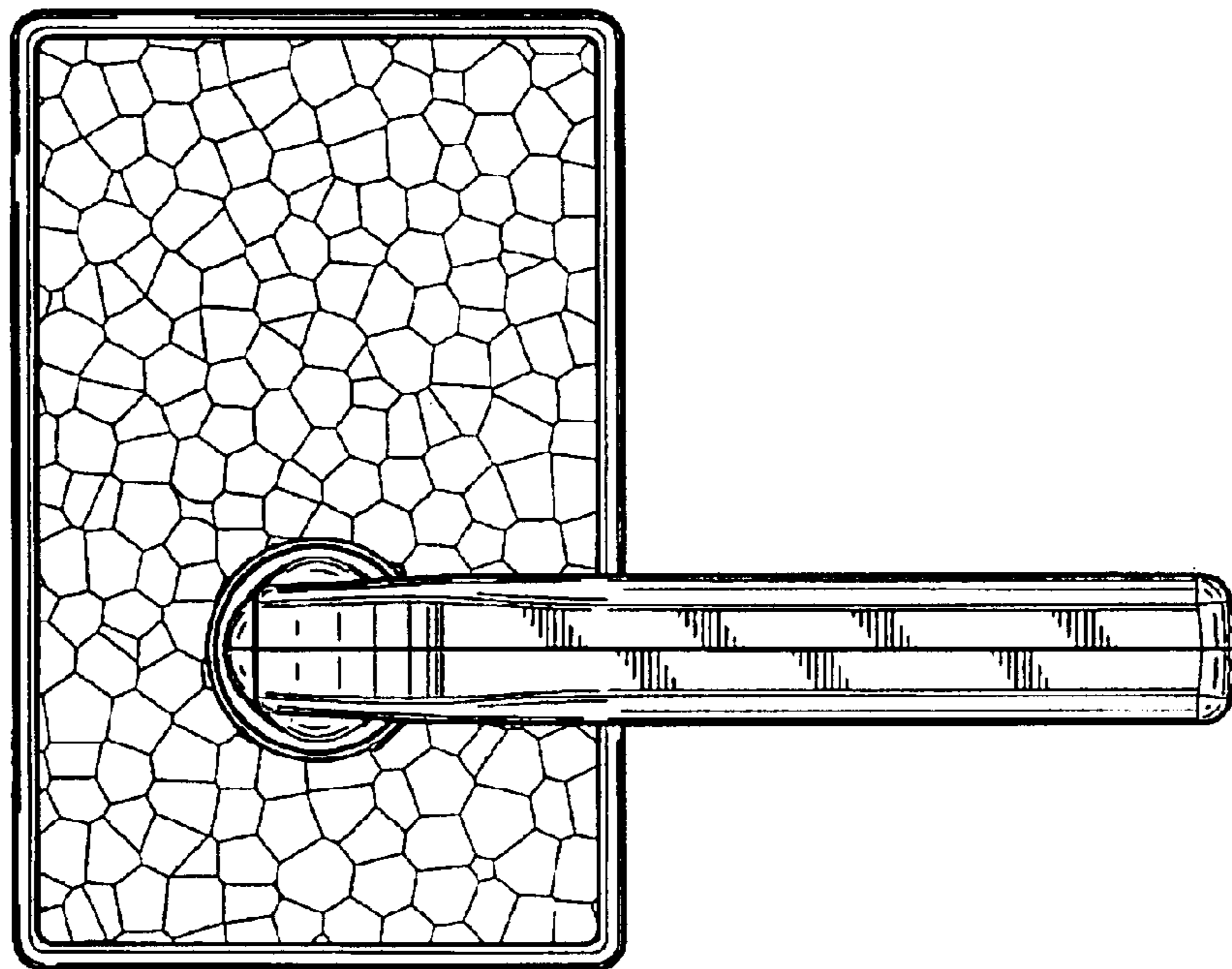
**1 Claim, 3 Drawing Sheets**

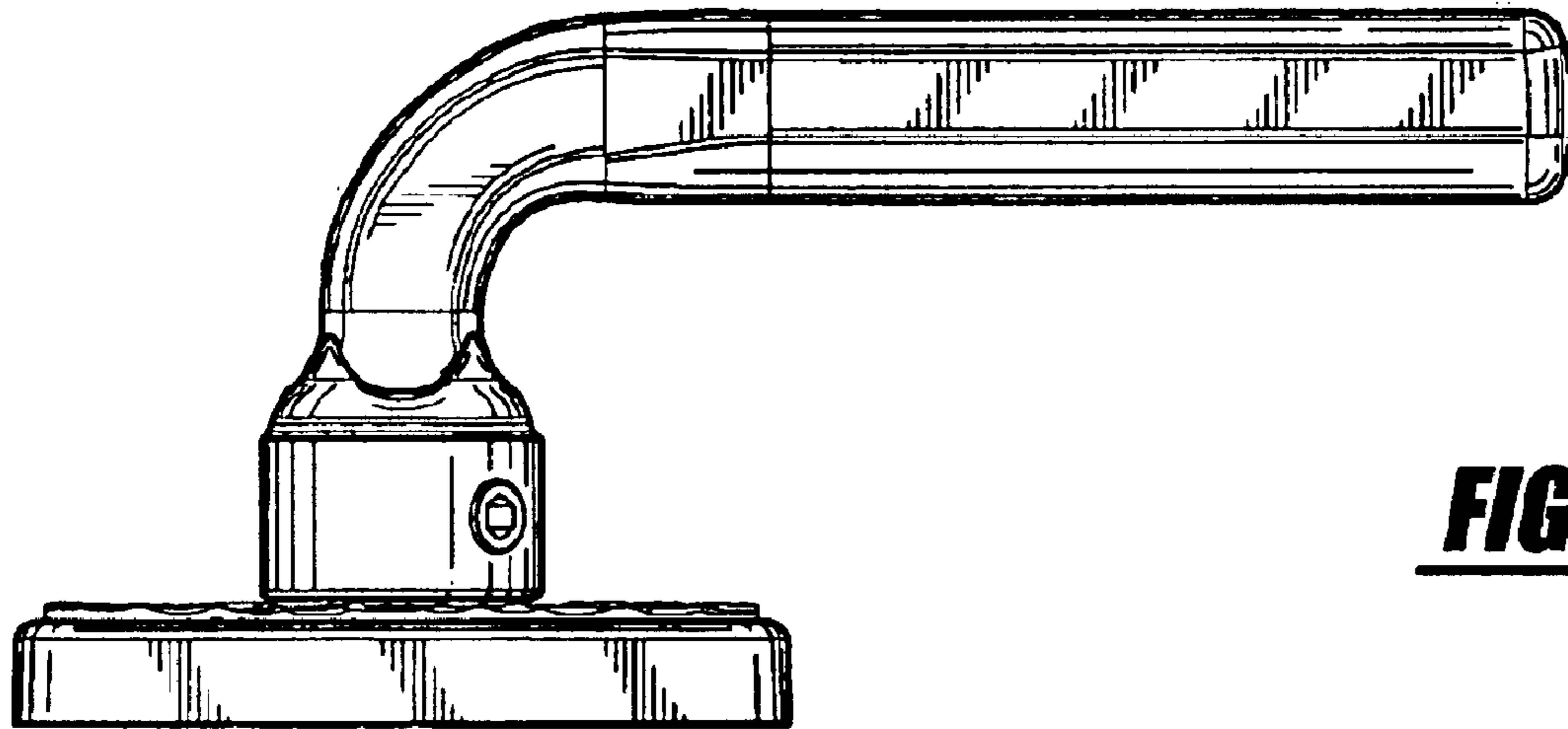


**FIG - 1**

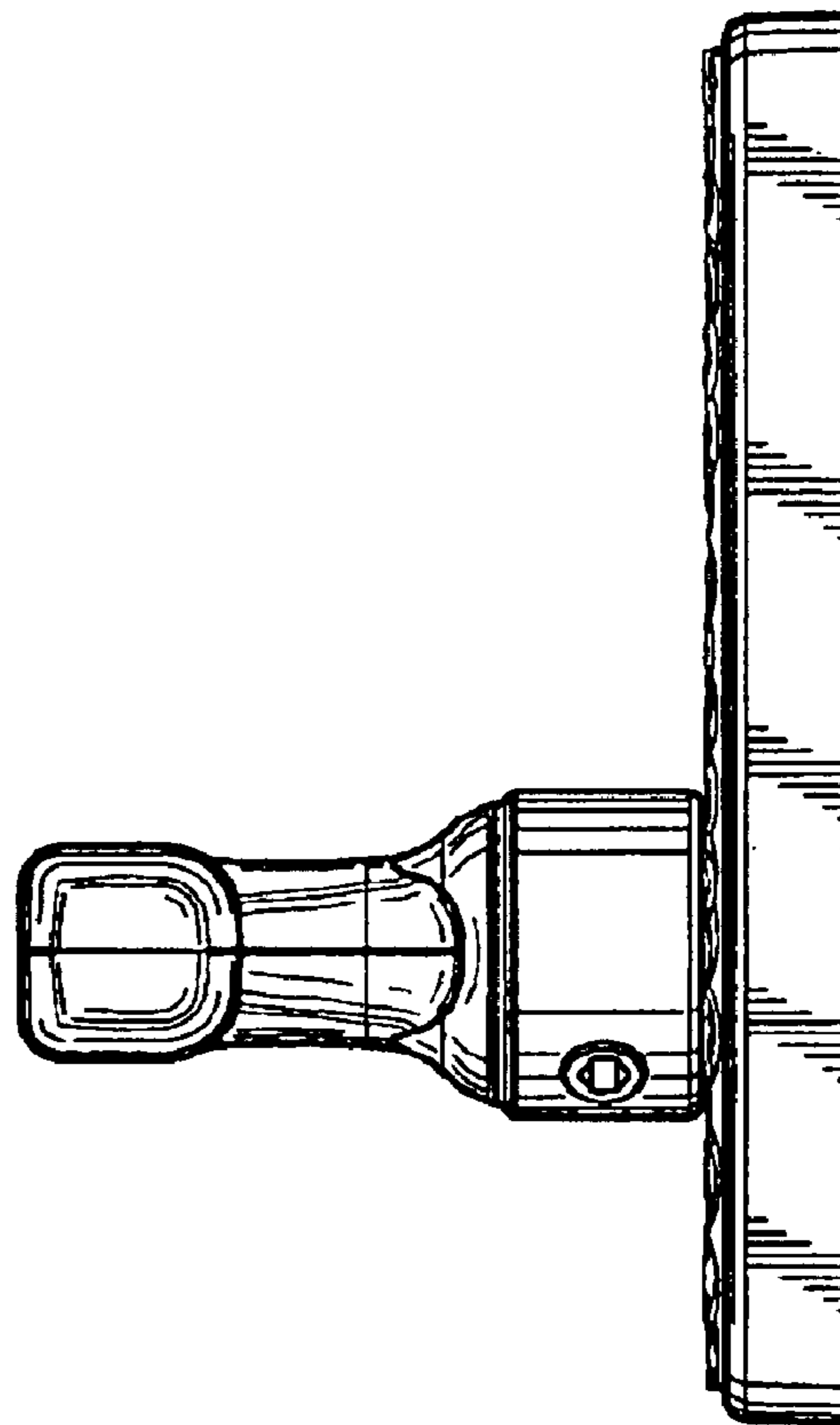


**FIG - 2**

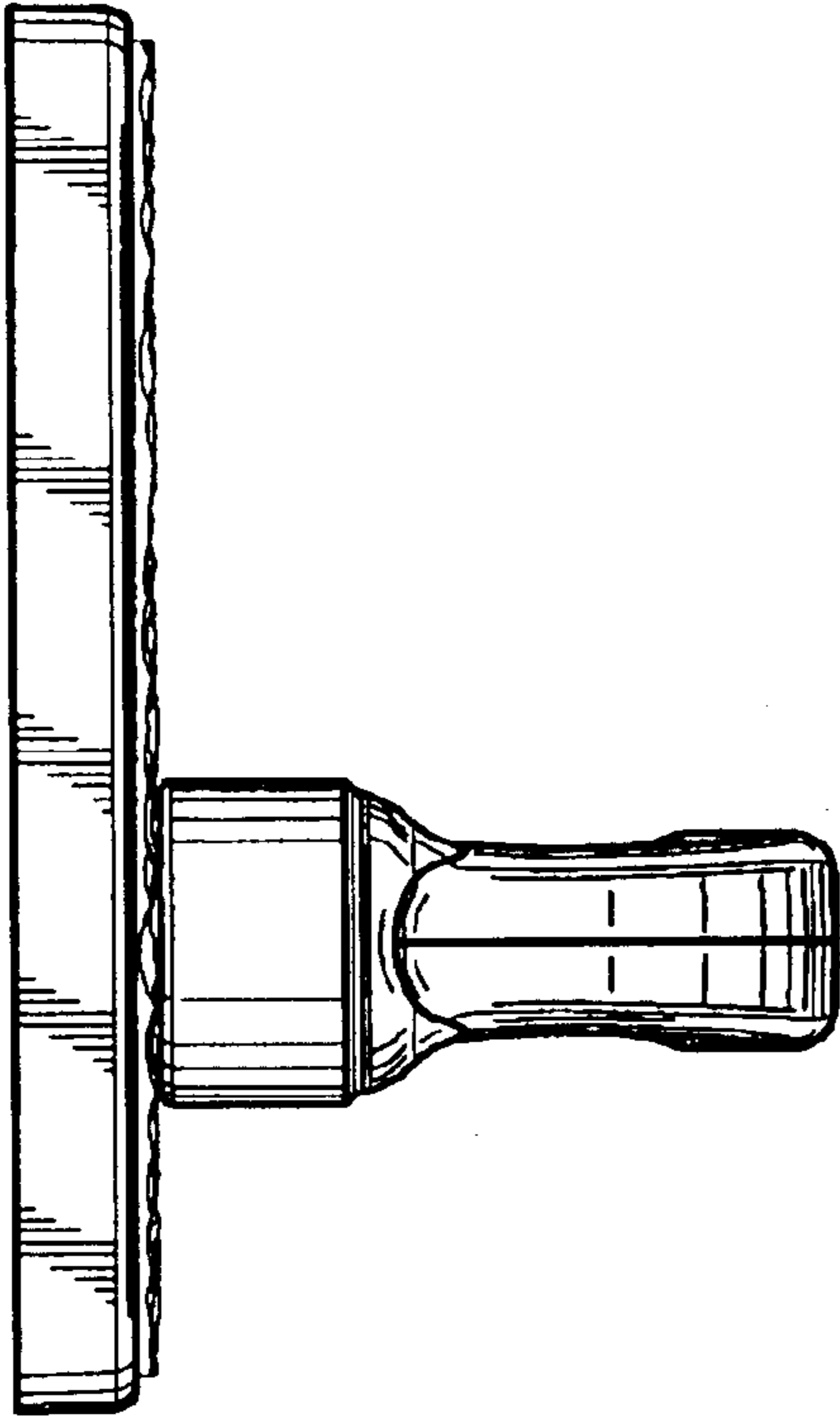




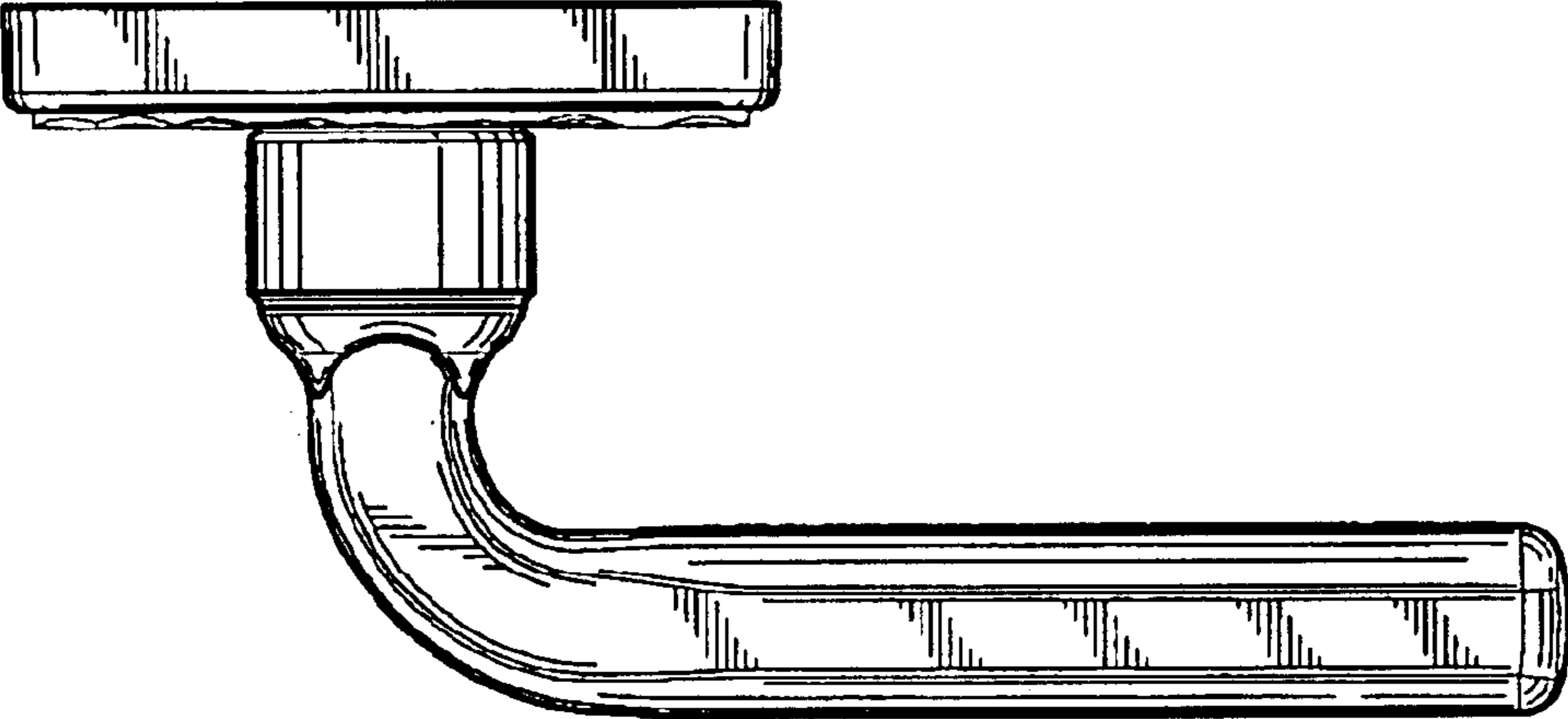
**FIG - 3**



**FIG - 4**



**FIG - 5**



**FIG - 6**