

US00D499629S

(12) **United States Design Patent**
Alvarez

(10) **Patent No.:** **US D499,629 S**

(45) **Date of Patent:** **** Dec. 14, 2004**

(54) **COMPACT DISC (CD)/BOX OPENER**
HAVING AN APPEARANCE OF A CD CASE

(76) Inventor: **Rick Alvarez**, 16839 N. 31st Dr.,
Phoenix, AZ (US) 85058

(**) Term: **14 Years**

(21) Appl. No.: **29/191,518**

(22) Filed: **Oct. 8, 2003**

(51) **LOC (7) Cl.** **08-03**

(52) **U.S. Cl.** **D8/99; D8/100**

(58) **Field of Search** D8/98, 99, 100;
30/154, 155, 156, 157, 158, 159, 160, 161,
162, 320, 329, 335, 337

(56) **References Cited**

U.S. PATENT DOCUMENTS

| | | | | | | |
|-----------|---|---|---------|-------------------|-------|--------|
| 4,281,458 | A | * | 8/1981 | Okada | | 30/162 |
| 4,558,517 | A | * | 12/1985 | Gringer | | 30/169 |
| 4,612,707 | A | * | 9/1986 | Shea | | 30/162 |
| D288,898 | S | * | 3/1987 | Osterhout | | D8/99 |
| D370,164 | S | * | 5/1996 | McCracken | | D8/98 |
| D383,577 | S | * | 9/1997 | Lyons | | D32/46 |
| D424,397 | S | * | 5/2000 | Wiseman | | D8/98 |
| 6,101,721 | A | * | 8/2000 | Medhurst | | 30/125 |
| D430,476 | S | * | 9/2000 | Thompson et al. | | D8/99 |
| 6,148,520 | A | * | 11/2000 | Berns | | 30/2 |
| D435,775 | S | * | 1/2001 | Rothschild et al. | | D8/98 |

D447,400 S * 9/2001 Okada D8/99

* cited by examiner

Primary Examiner—Philip S. Hyder

(74) *Attorney, Agent, or Firm*—Jeffrey D. Moy; Harry M. Weiss; Weiss, Moy & Harris, P.C.

(57) **CLAIM**

The compact disc (CD)/box opener having an appearance of a CD case, as shown and described.

DESCRIPTION

FIG. 1 is an elevated perspective view of the compact disc (CD)/box opener having an appearance of a CD case showing my new design;

FIG. 2 is a rear view of the compact disc (CD)/box opener having an appearance of a CD case;

FIG. 3 is a side view of the compact disc (CD)/box opener having an appearance of a CD case;

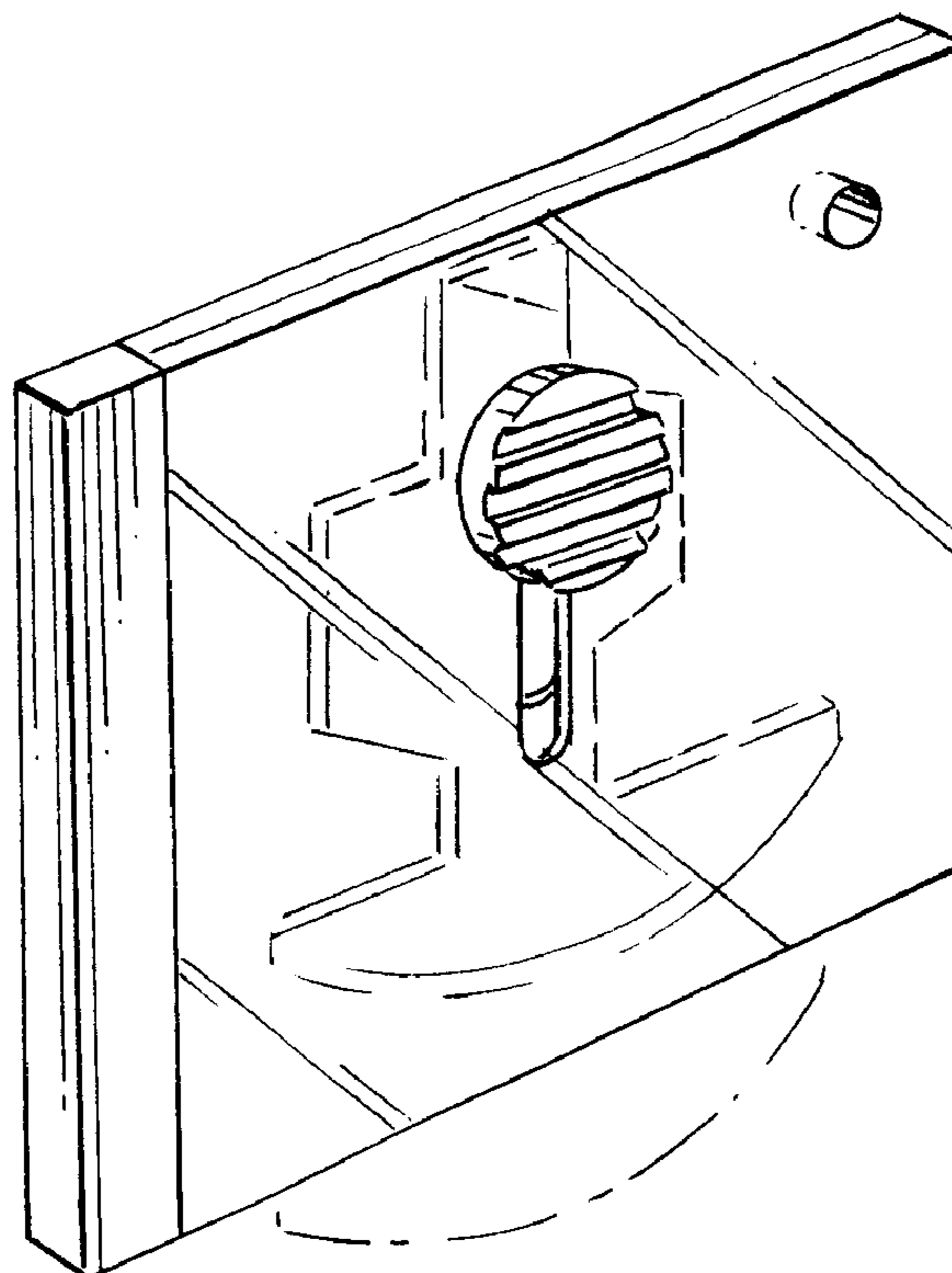
FIG. 4 is a front view of the compact disc (CD)/box opener having an appearance of a CD case;

FIG. 5 is a top view of the compact disc (CD)/box opener having an appearance of a CD case; and,

FIG. 6 is a bottom view of the compact disc (CD)/box opener having an appearance of a CD case.

The broken line showings of the internal structure are for illustrative purposes only and form no part of the claimed design.

1 Claim, 1 Drawing Sheet



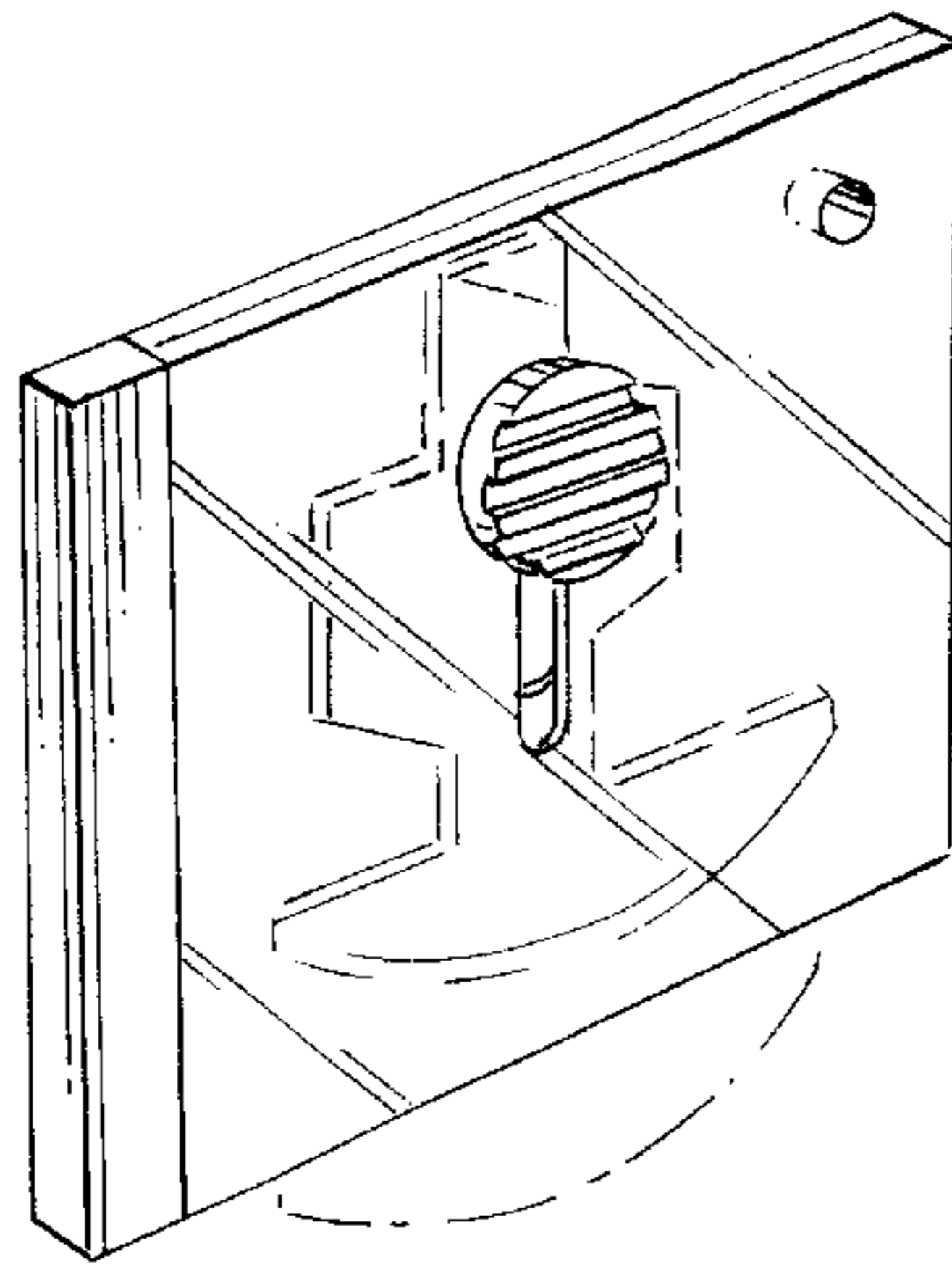


Fig. 1



Fig. 5

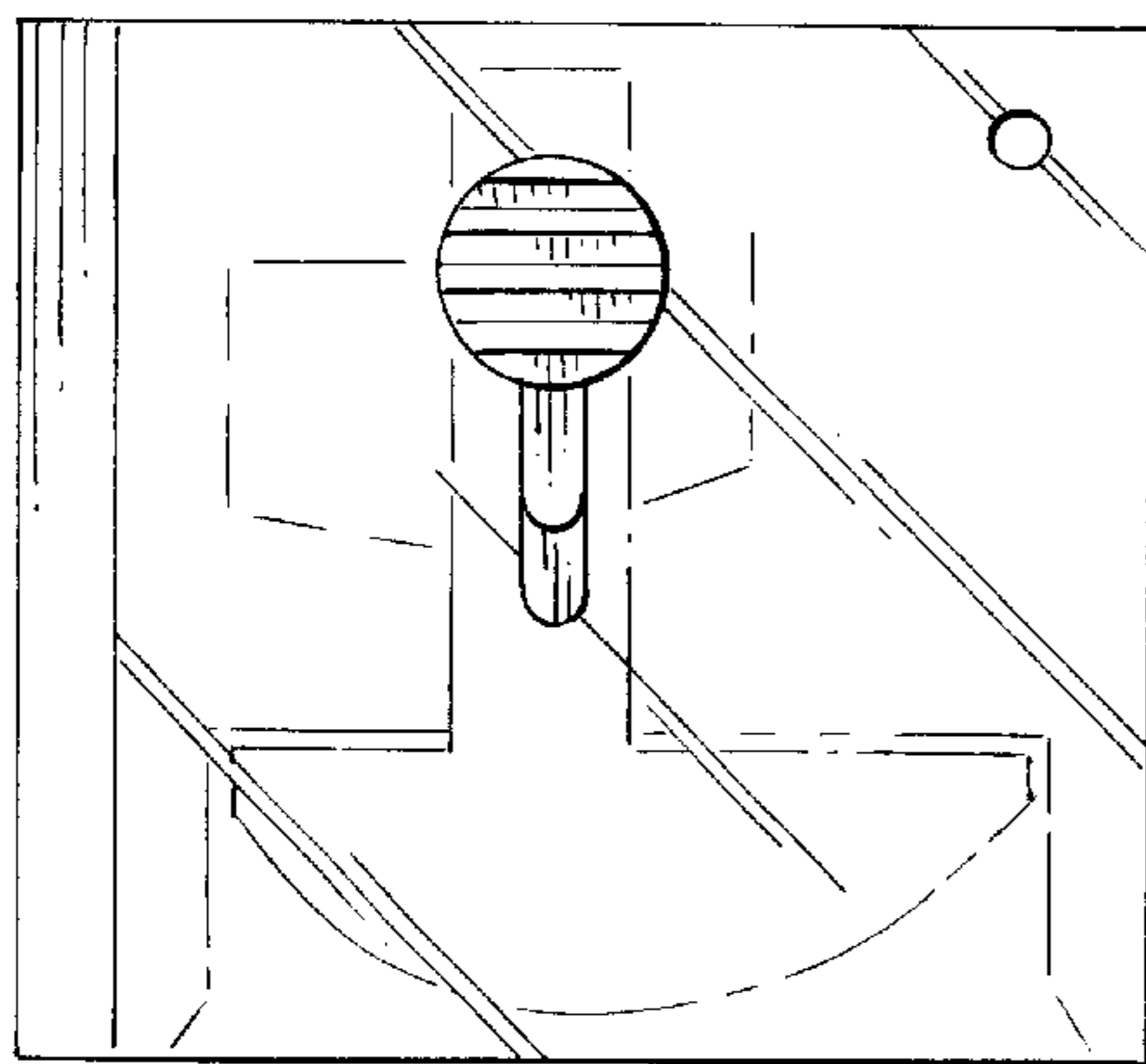


Fig. 2

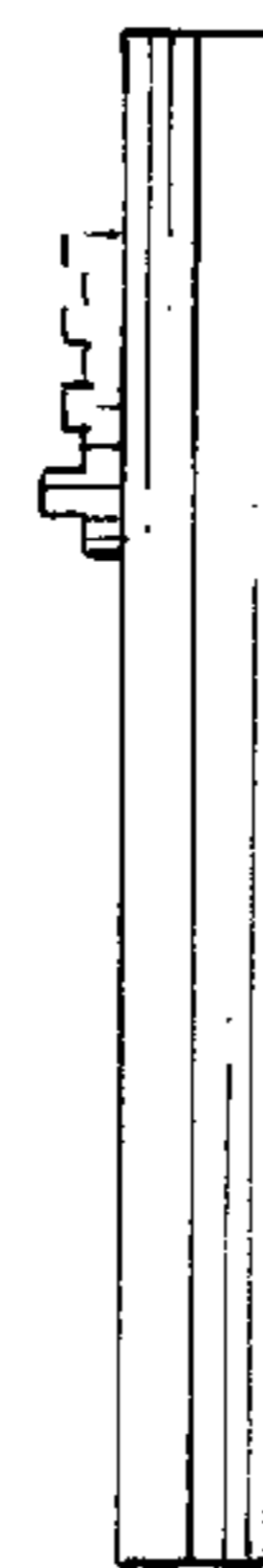


Fig. 3

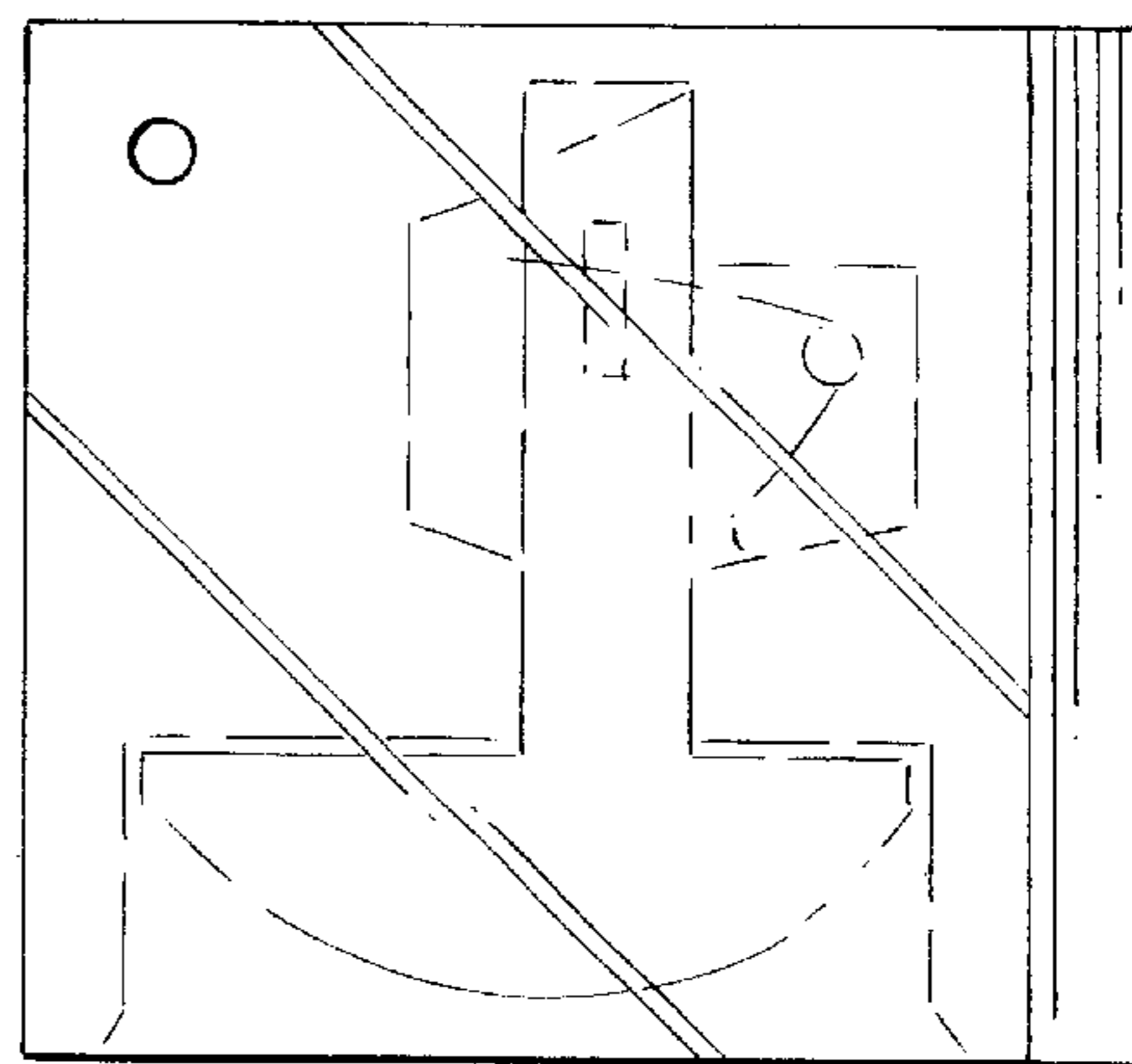


Fig. 4

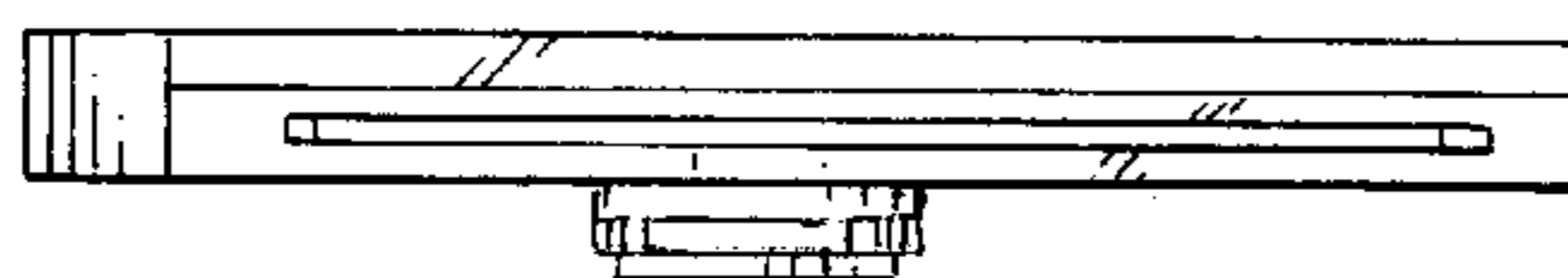


Fig. 6