



US00D499626S

(12) **United States Design Patent**
Winig et al.

(10) **Patent No.:** **US D499,626 S**
(45) **Date of Patent:** **** Dec. 14, 2004**

- (54) **TOOL HOLDER**
- (75) Inventors: **Alan Winig**, Wynnewood, PA (US);
Richard Winig, Villanova, PA (US);
James Eldon, Barto, PA (US)
- (73) Assignee: **Eye Designs LLC**, Colleagueville, PA (US)
- (**) Term: **14 Years**
- (21) Appl. No.: **29/187,450**
- (22) Filed: **Aug. 1, 2003**

4,516,681 A	5/1985	Jahel
4,597,496 A	7/1986	Kaplan
4,632,256 A	12/1986	Gambello
4,771,897 A	9/1988	Ho
4,905,951 A	3/1990	Putness
4,936,565 A	6/1990	Fredrickson
5,005,710 A	4/1991	Hofer
5,201,430 A	4/1993	Artzer
5,224,609 A	7/1993	Bauer et al.
5,337,987 A	8/1994	Sawatsky
5,482,168 A	1/1996	Welch et al.
5,515,969 A	5/1996	Schonenbach
5,573,111 A	11/1996	Gordon et al.
5,706,936 A	1/1998	Bernstein
5,711,419 A	1/1998	Beales et al.
5,738,228 A	4/1998	Bittinger
5,855,274 A	1/1999	Piao
5,909,936 A	6/1999	Daniels et al.
5,915,307 A	6/1999	Tisbo et al.
5,915,572 A	6/1999	Hancock
5,970,663 A	10/1999	McDonough
6,000,912 A	12/1999	Takada et al.
6,019,331 A	2/2000	Hoogland et al.
6,050,426 A	4/2000	Leurdijk
6,070,747 A	6/2000	Shea
6,250,466 B1	6/2001	Ernst
6,273,255 B1	8/2001	Rosler
6,273,277 B1	8/2001	Geldenhuis
6,299,001 B1	10/2001	Frolov et al.
6,450,338 B1	9/2002	Chen
6,491,267 B1	12/2002	Feldman

Related U.S. Application Data

- (63) Continuation-in-part of application No. 29/175,165, filed on Jan. 30, 2003, now Pat. No. Des. 481,920.
- (51) **LOC (7) Cl.** **08-05**
- (52) **U.S. Cl.** **D8/71**
- (58) **Field of Search** D8/71, 14.1, 64, D8/66, 70, 72, 73, 74, 349, 354, 373; D6/467, 469, 567, 574; D15/130, 132, 138, 139, 140, 141; 33/474, 533, 613; 81/177.1, 437, 177.4, 438, 439, 490; 82/161; 83/581, 760, 762-764, 766; 142/48, 49, 55; 211/60.1, 70.6, 71.01, 74, 65, 90.01; 248/80, 153, 175, 176.1, 201, 304, 309.1, 312, 312.1, 315, 316.8; 269/41, 42, 283

Primary Examiner—James Gandy
Assistant Examiner—T. Chase Nelson
(74) *Attorney, Agent, or Firm*—Duane Morris LLP

(56) **References Cited**

U.S. PATENT DOCUMENTS

1,958,772 A	5/1934	Stewart
1,992,857 A	2/1935	Breedlove
2,121,307 A	6/1938	Swift
2,785,919 A	3/1957	Grondzik
2,956,687 A	10/1960	Robichaud
2,995,256 A	8/1961	Schoenfisch
3,063,569 A	11/1962	Huber
3,565,020 A	2/1971	Schier et al.
4,325,484 A	4/1982	Berry
4,340,144 A	7/1982	Cousins
4,439,884 A	4/1984	Giorni
4,450,961 A	5/1984	Bies et al.
4,508,301 A	4/1985	Nicholson et al.

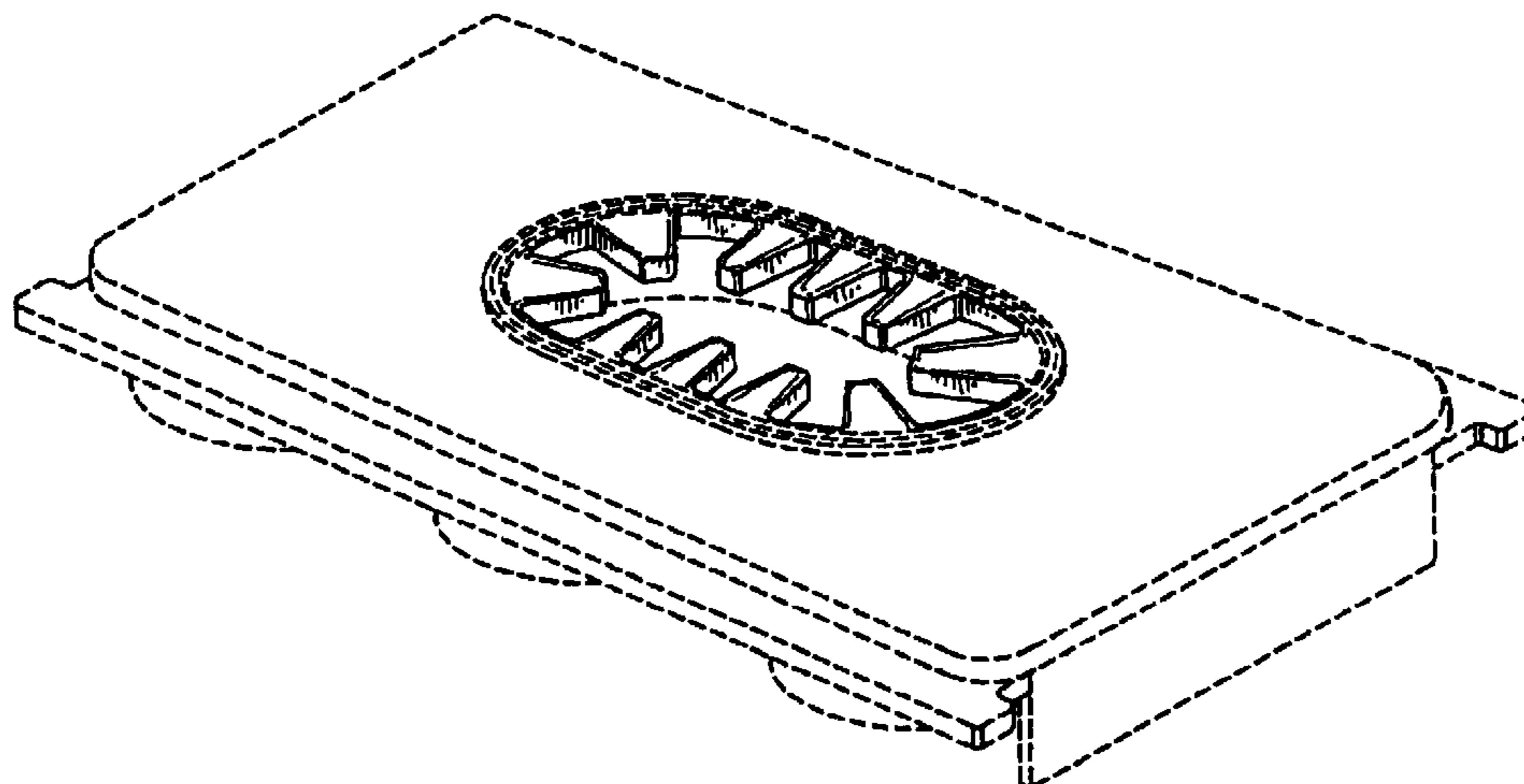
(57) **CLAIM**

The ornamental design for a tool holder, as shown and described.

DESCRIPTION

FIG. 1 is a perspective view of the tool holder according to the invention;
FIG. 2 is a top view of the tool holder; and,
FIG. 3 is a bottom view of the tool holder.
The broken line showing of structure is for illustrative purposes only and forms no part of the claimed design.

1 Claim, 2 Drawing Sheets



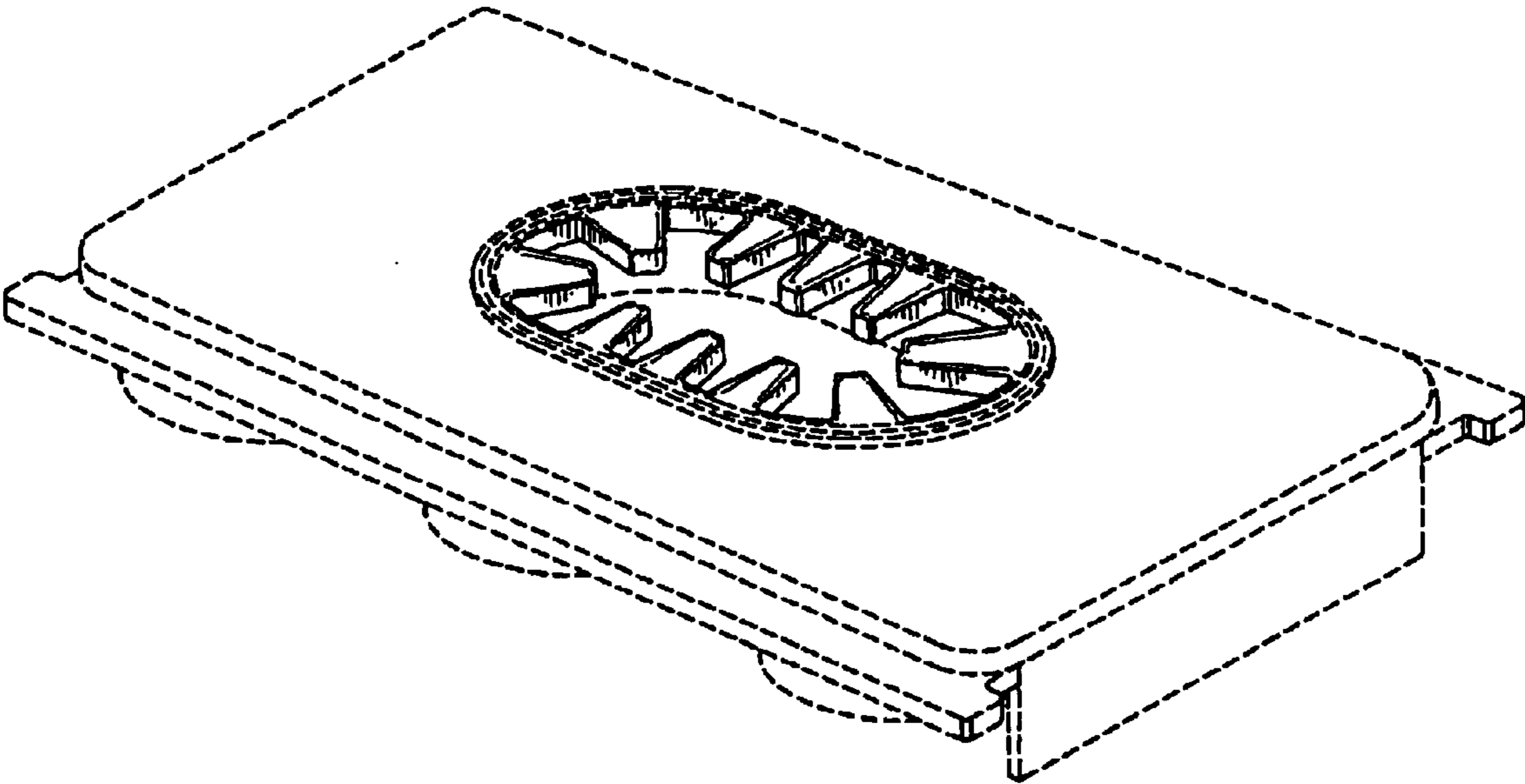


FIG. 1

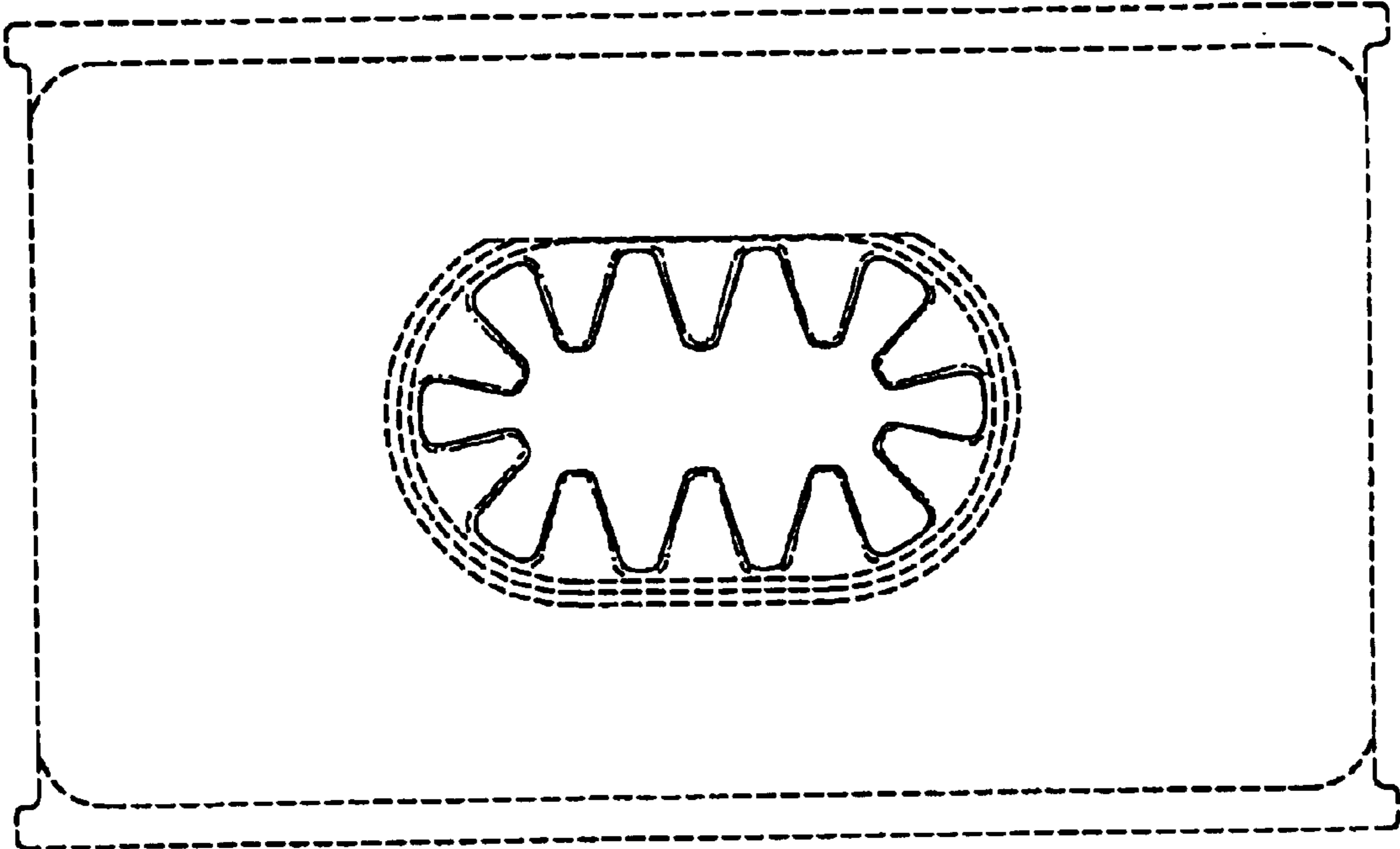


FIG. 2

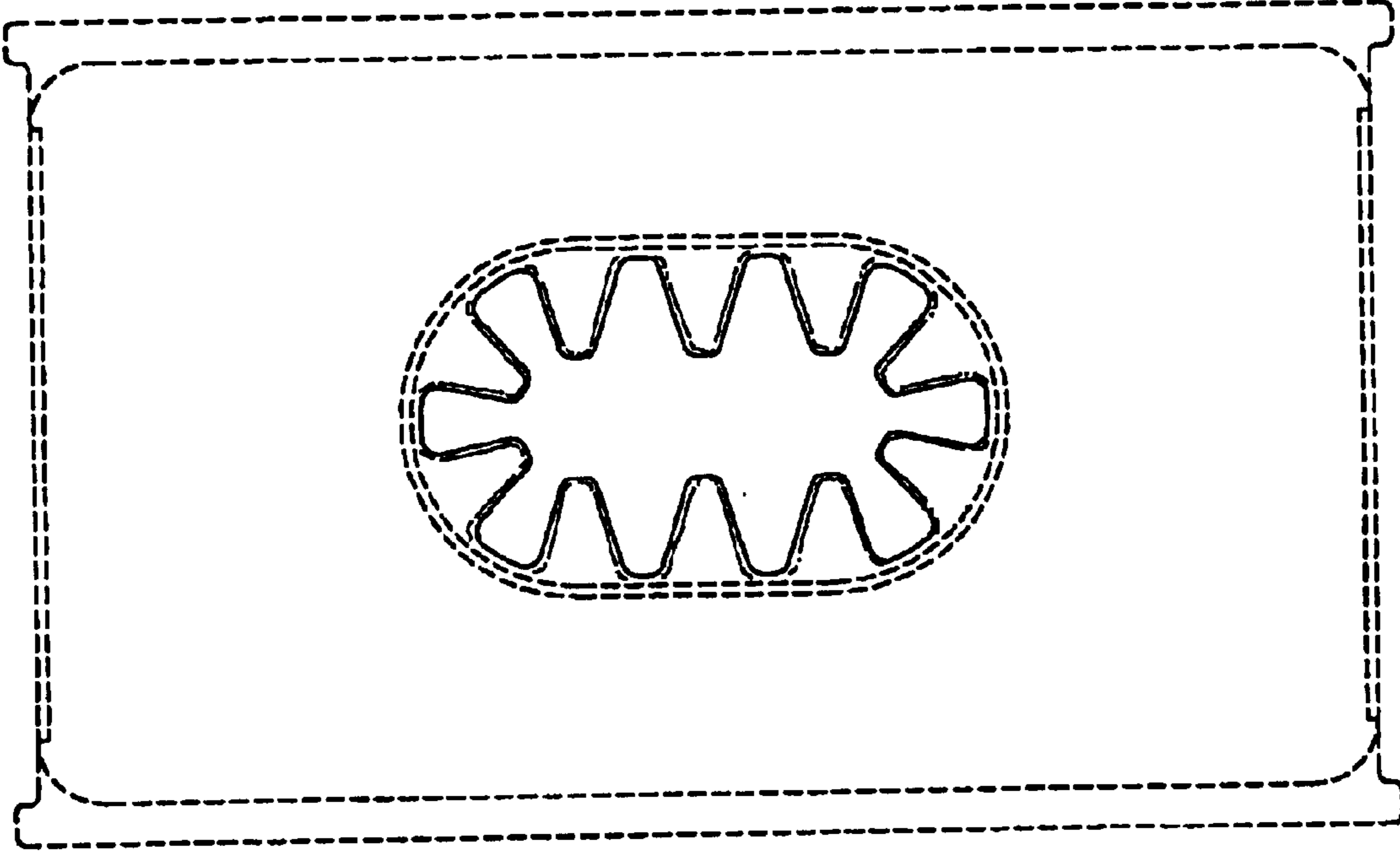


FIG. 3