

US00D499625S

(12) **United States Design Patent** (10) **Patent No.:** **US D499,625 S**
Stirm (45) **Date of Patent:** **** Dec. 14, 2004**

(54) **SHROUD FOR A DUST EXTRACTOR**

(75) Inventor: **Michael Stirm**, Oberursel (DE)

(73) Assignee: **Black & Decker, Inc.**, Newark, DE (US)

(**) Term: **14 Years**

(21) Appl. No.: **29/190,730**

(22) Filed: **Sep. 25, 2003**

(30) **Foreign Application Priority Data**

Mar. 28, 2003 (GB) 3011995

(51) **LOC (7) Cl.** **08-05**

(52) **U.S. Cl.** **D8/70**

(58) **Field of Search** D8/70, 61, 62, D8/63, 64, 65, 66, 67, 68, 69; D15/138, 139; 30/124, 390, 475; 173/75; 451/164, 344, 351, 353, 356, 357, 359, 442, 453, 456; 408/67, 241 S

(56) **References Cited**

U.S. PATENT DOCUMENTS

- 3,850,254 A 11/1974 Hirdes
- D244,665 S * 6/1977 Krom D8/70
- 4,064,952 A 12/1977 Lechner
- 4,097,176 A 6/1978 Wanner et al.
- 4,184,226 A * 1/1980 Loevenich 408/67
- 4,192,390 A 3/1980 Wanner et al.
- 4,205,728 A 6/1980 Gloor et al.
- 4,207,953 A 6/1980 Reibetanz et al.
- 4,250,971 A 2/1981 Reibetanz et al.
- 4,256,422 A 3/1981 Theissig et al.
- 4,765,099 A * 8/1988 Tanner 451/359
- 4,848,980 A * 7/1989 Broussard 408/67
- D305,607 S 1/1990 Andrews
- 4,921,375 A 5/1990 Famulari
- 4,955,984 A * 9/1990 Cuevas 408/67
- 5,034,041 A 7/1991 Austin
- 5,061,123 A 10/1991 Broussard
- 5,090,499 A 2/1992 Cuneo
- 5,113,951 A 5/1992 Houben et al.

- 5,125,190 A * 6/1992 Buser et al. 451/359
- 5,129,467 A 7/1992 Watanabe et al.
- 5,199,501 A 4/1993 Kluber et al.
- 5,411,433 A * 5/1995 Keller 451/453
- 5,467,835 A 11/1995 Obermeier et al.

(List continued on next page.)

FOREIGN PATENT DOCUMENTS

- DE 25 48 100 A1 5/1977
- DE 27 41 536 A1 3/1979
- DE 29 25 908 A1 1/1981
- DE 29 40 362 A1 4/1981
- DE 35 16 099 A1 11/1986
- EP 0 434 295 A2 6/1991
- EP 1 245 330 A2 10/2002
- GB 1 431 353 4/1976
- GB 1 569 532 6/1980

OTHER PUBLICATIONS

Hilti; TE 5 Dust Removal System Module; Hilti USA; located @ http://www.us.hilti.com/holus/modules/prcat/prca_navigation.jsp?OID=-12011.

Primary Examiner—Joel Sincavage

Assistant Examiner—T. Chase Nelson

(74) *Attorney, Agent, or Firm*—Michael P. Leary; Charles E. Yocum; Adan Ayala

(57) **CLAIM**

The ornamental design for a shroud for a dust extractor, as shown and described.

DESCRIPTION

FIG. 1 is a front perspective view of a shroud for a dust extractor showing my new design.

FIG. 2 is a rear perspective view thereof.

FIG. 3 is a left side elevational view thereof.

FIG. 4 is a right side elevational view thereof.

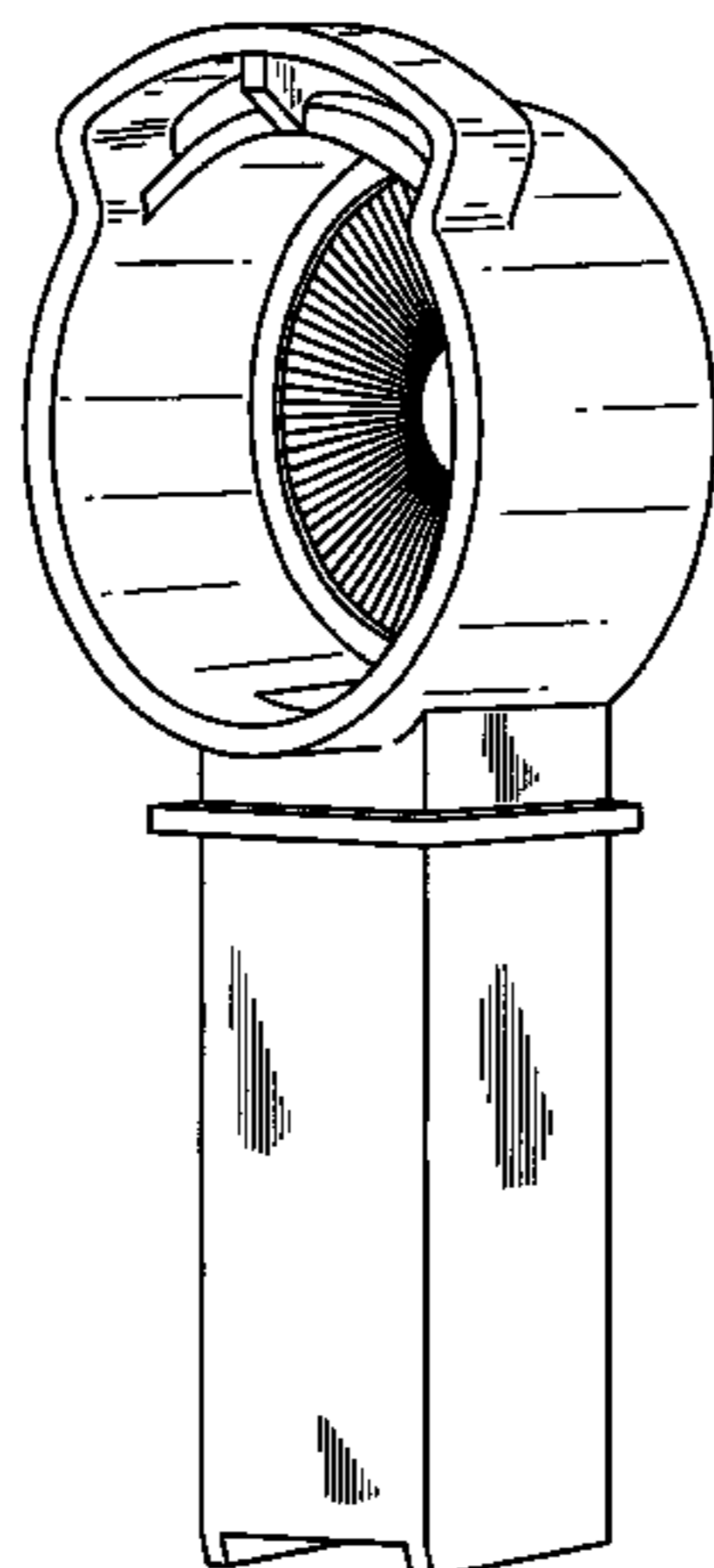
FIG. 5 is a top plan view thereof.

FIG. 6 is a bottom plan view thereof.

FIG. 7 is a front elevational view thereof; and,

FIG. 8 is a rear elevational view thereof.

1 Claim, 5 Drawing Sheets



US D499,625 S

Page 2

U.S. PATENT DOCUMENTS

5,527,207	A	*	6/1996	Azar et al.	451/359	5,983,445	A	*	11/1999	Baker	408/67
5,545,082	A	*	8/1996	Courson et al.	451/359	5,988,954	A	*	11/1999	Gaskin et al.	408/67
D376,526	S		12/1996	Hepburn		6,200,075	B1		3/2001	Gaskin et al.	
5,688,082	A		11/1997	Richardson		6,318,352	B1	*	11/2001	Gnazzo et al.	30/124
D392,531	S		3/1998	Richardson		6,540,598	B1	*	4/2003	McCutchen	451/353
5,772,367	A	*	6/1998	Daniel	408/67	6,557,261	B1	*	5/2003	Buser et al.	30/124
5,904,453	A		5/1999	Gavia		2002/0141838	A1		10/2002	Ege et al.	

* cited by examiner

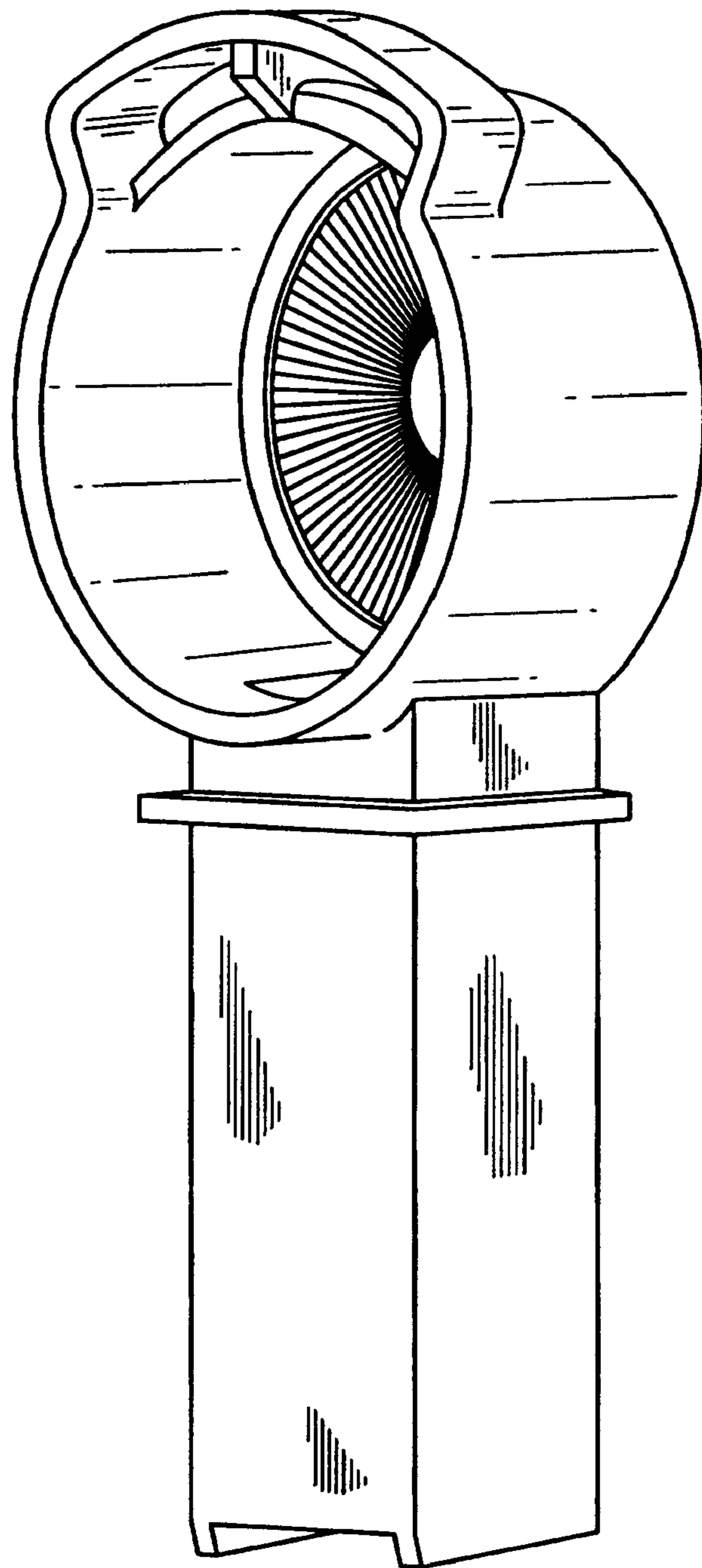


FIG. 1

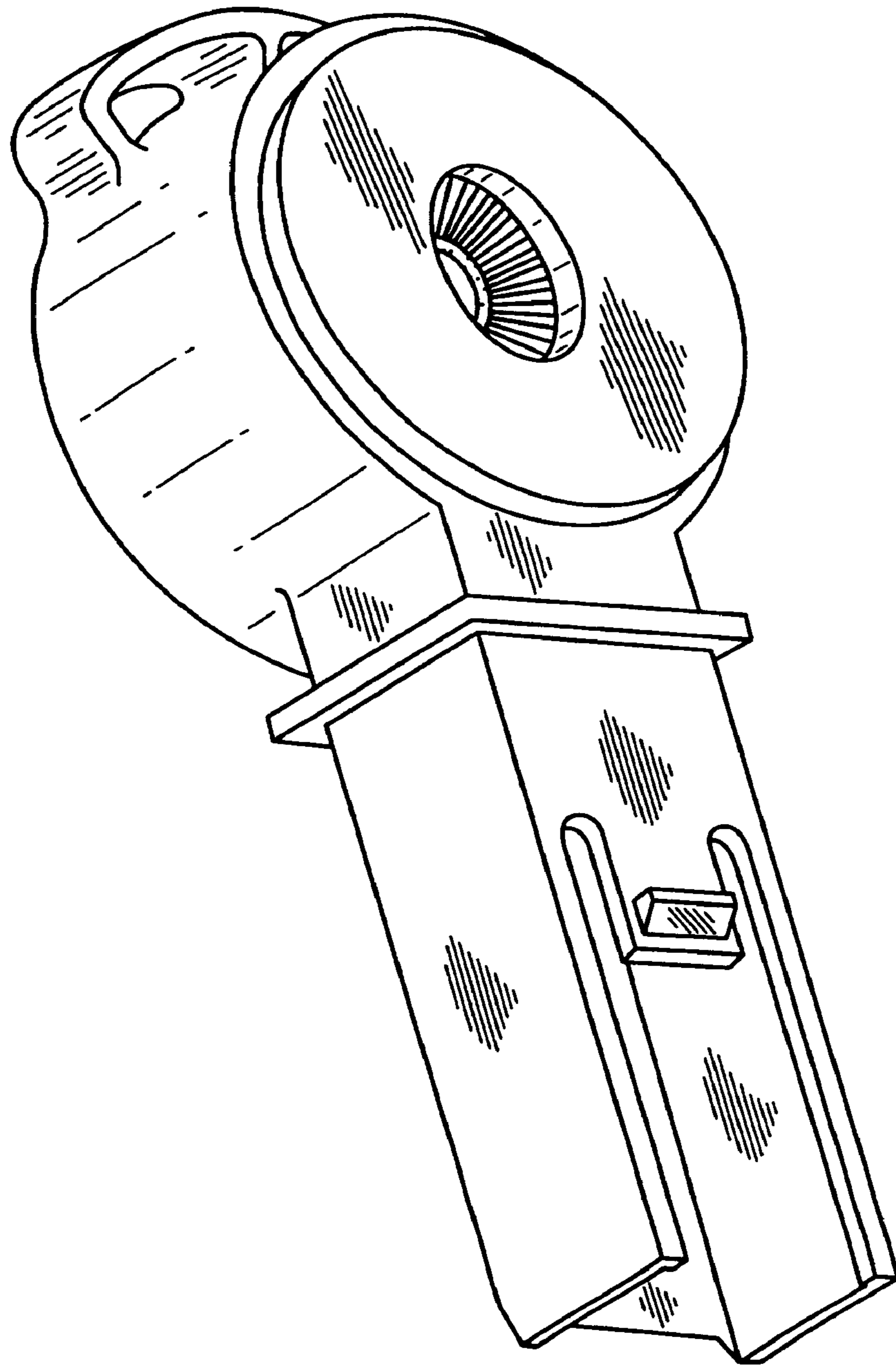


FIG. 2

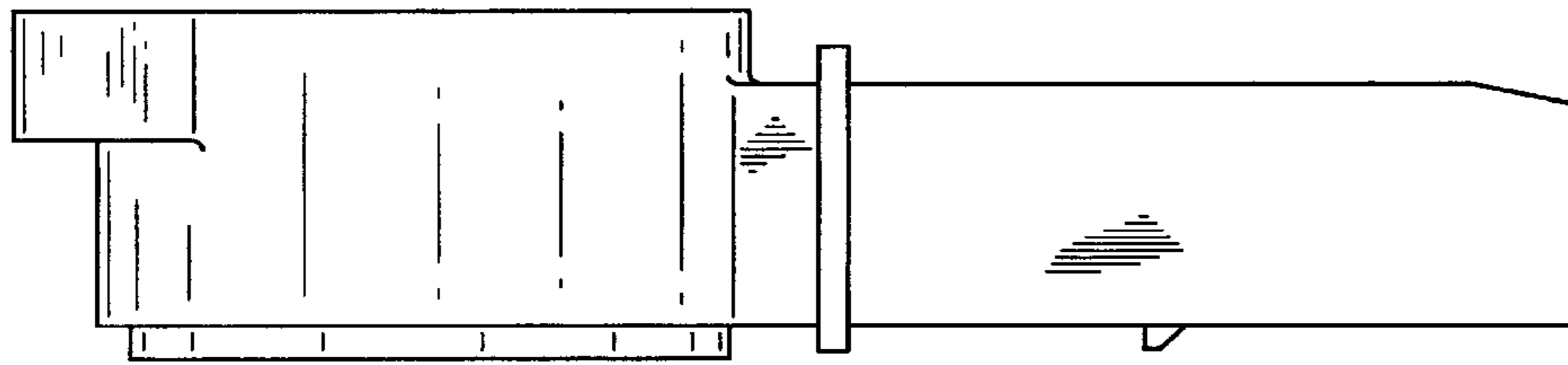


FIG. 4

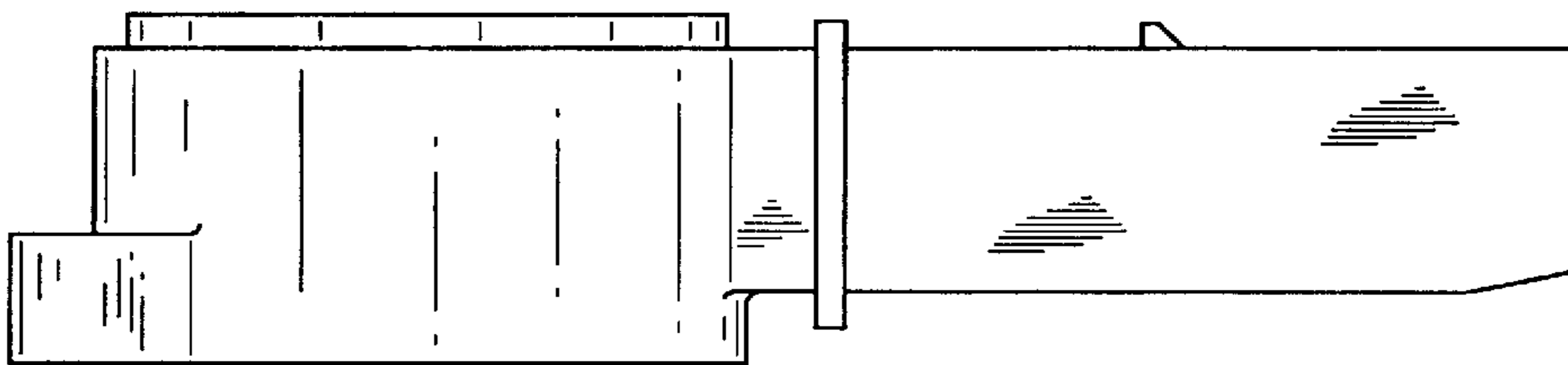


FIG. 3

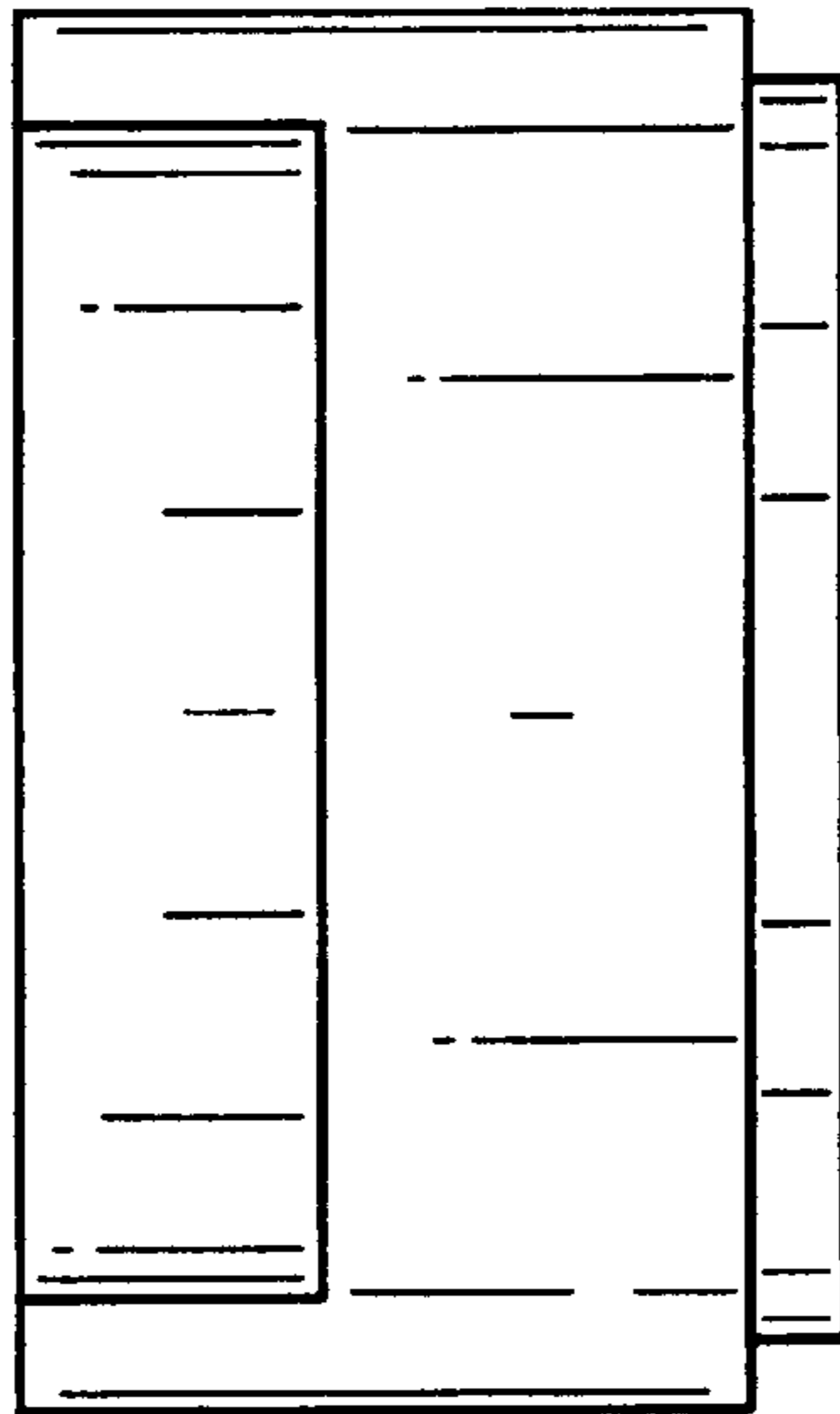


FIG. 5

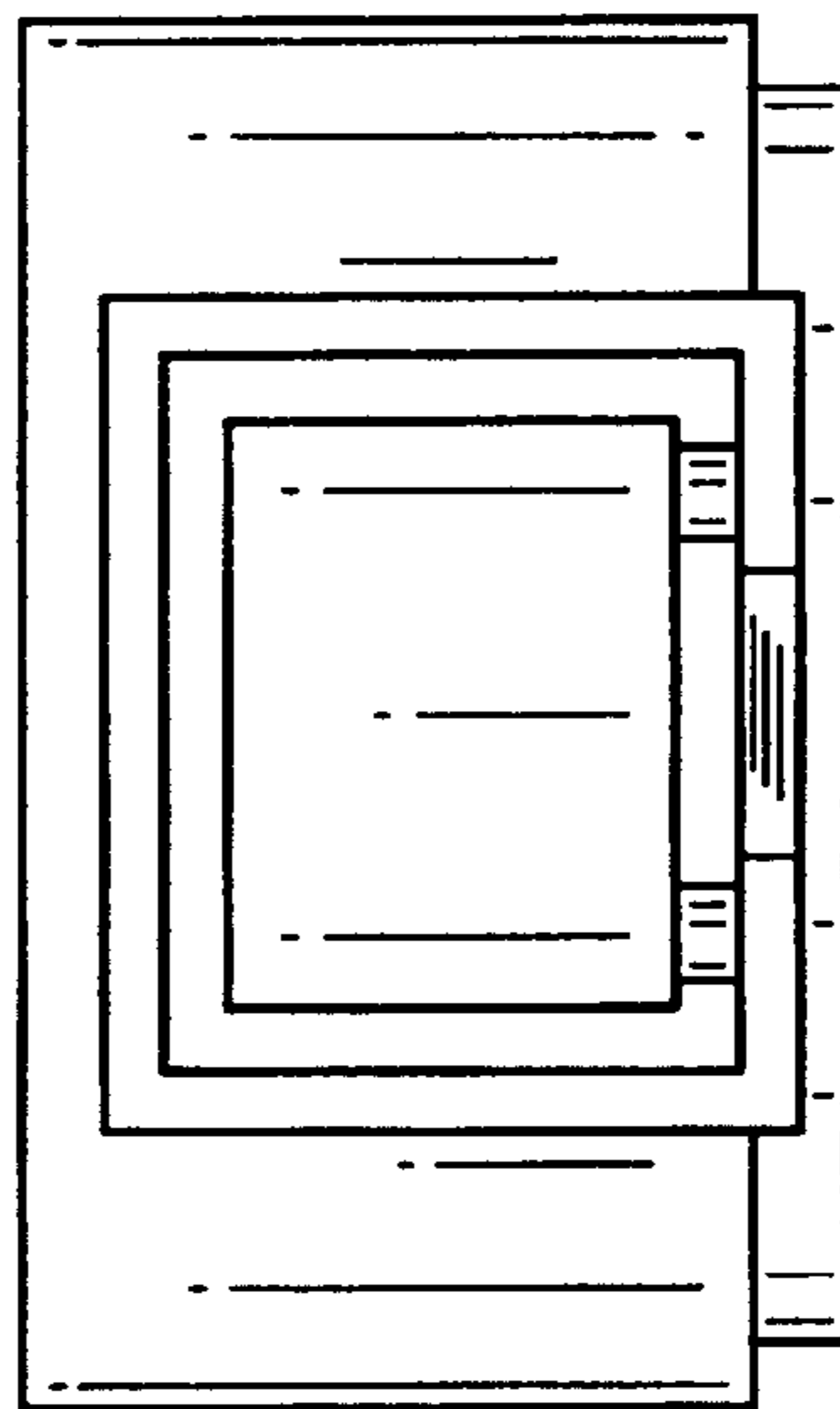


FIG. 6

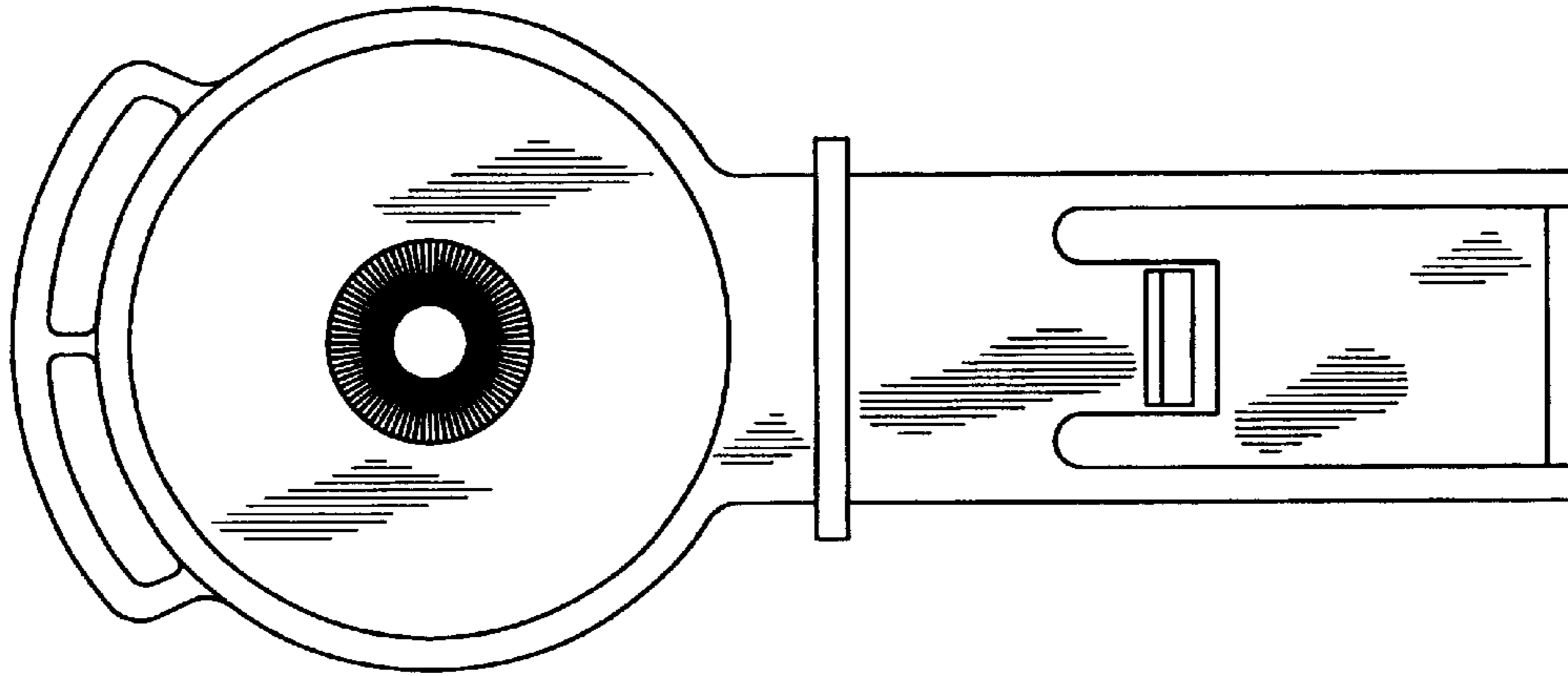


FIG. 8

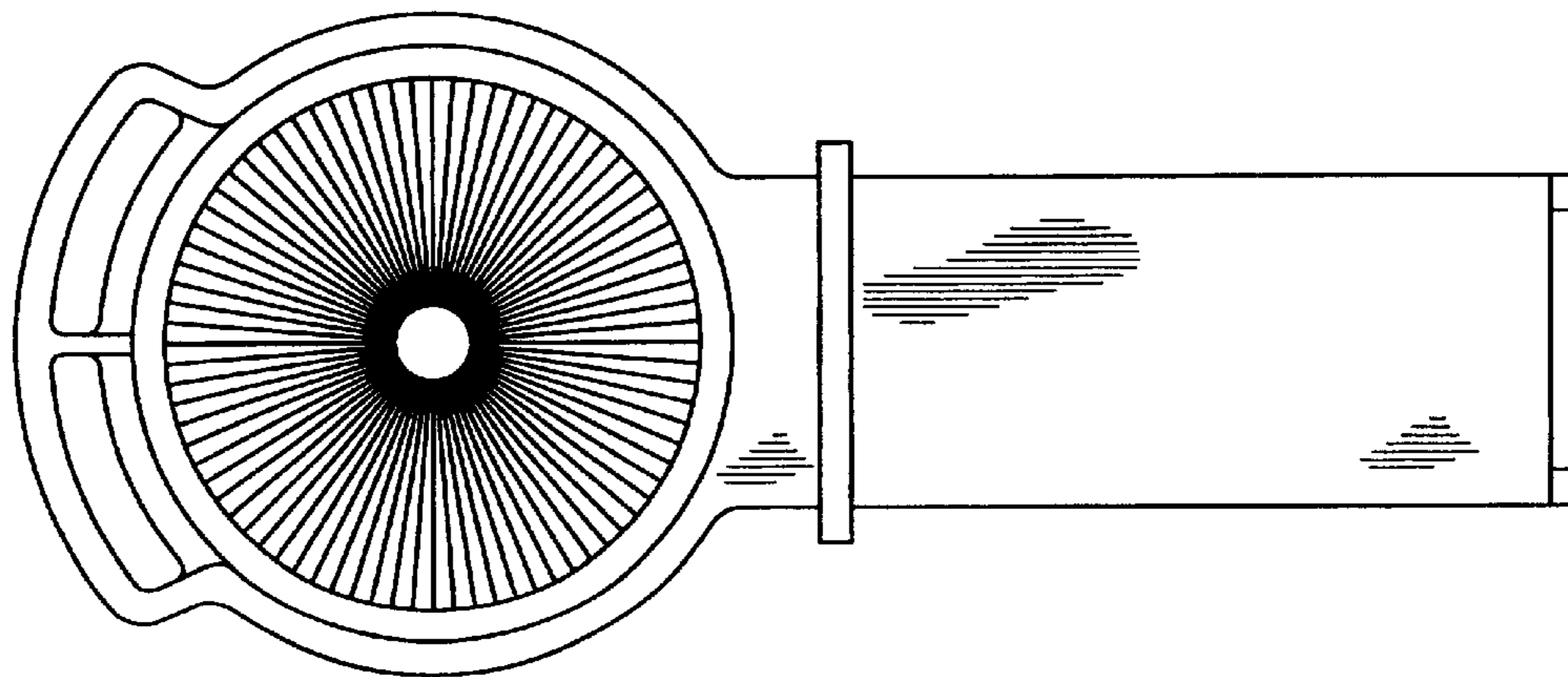


FIG. 7