

US00D499624S

(12) **United States Design Patent** (10) **Patent No.:** **US D499,624 S**
Concari et al. (45) **Date of Patent:** **** Dec. 14, 2004**

- (54) **IMPACT DRIVER** D386,662 S * 11/1997 Tozawa et al. D8/68
D392,863 S 3/1998 Sugimoto et al.
(75) Inventors: **Gabriel Concari**, Eldersbury, MD D396,177 S * 7/1998 Schultz D8/68
(US); **Rodney Milbourne**, Abingdon, MD (US) D403,219 S 12/1998 Bosten et al.
D404,276 S 1/1999 Ghode et al.
D411,947 S 7/1999 Sugimoto et al.
(73) Assignee: **Black & Decker Inc.**, Newark, DE D419,413 S * 1/2000 Heun D8/68
(US) D420,877 S * 2/2000 Schultz D8/68
D421,883 S * 3/2000 Watson et al. D8/68
D424,902 S 5/2000 Gildersleeve et al.

(**) Term: **14 Years**

(List continued on next page.)

(21) Appl. No.: **29/201,435**

FOREIGN PATENT DOCUMENTS

(22) Filed: **Mar. 16, 2004**

Related U.S. Application Data

(62) Division of application No. 29/178,881, filed on Mar. 31, 2003, now Pat. No. Des. 489,955.

DE	M9003635	4/1991
DE	M9300144	1/1993
DE	M9301028	7/1993
DE	M9402042	8/1994
DE	49808551	9/1999
DE	40005042	8/2000
DE	40009556	6/2001

- (51) **LOC (7) Cl.** **08-05**
(52) **U.S. Cl.** **D8/68**
(58) **Field of Search** D8/14.1, 61, 62,
D8/63, 64, 65, 66, 67, 68, 69, 70; 81/57.11,
429, 464, 465, 466, 469, 489; 173/13, 169,
178, 213, 217; 227/8, 114, 120, 130, 136,
142; 310/50; 408/20, 124, 125, 234, 241 R;
451/358

Primary Examiner—Joel A. Sincavage
Assistant Examiner—T. Chase Nelson
(74) *Attorney, Agent, or Firm*—Michael P. Leary; Charles E. Yocum; Adan Ayala

(57) **CLAIM**

The ornamental design for an impact driver, as shown and described.

(56) **References Cited**

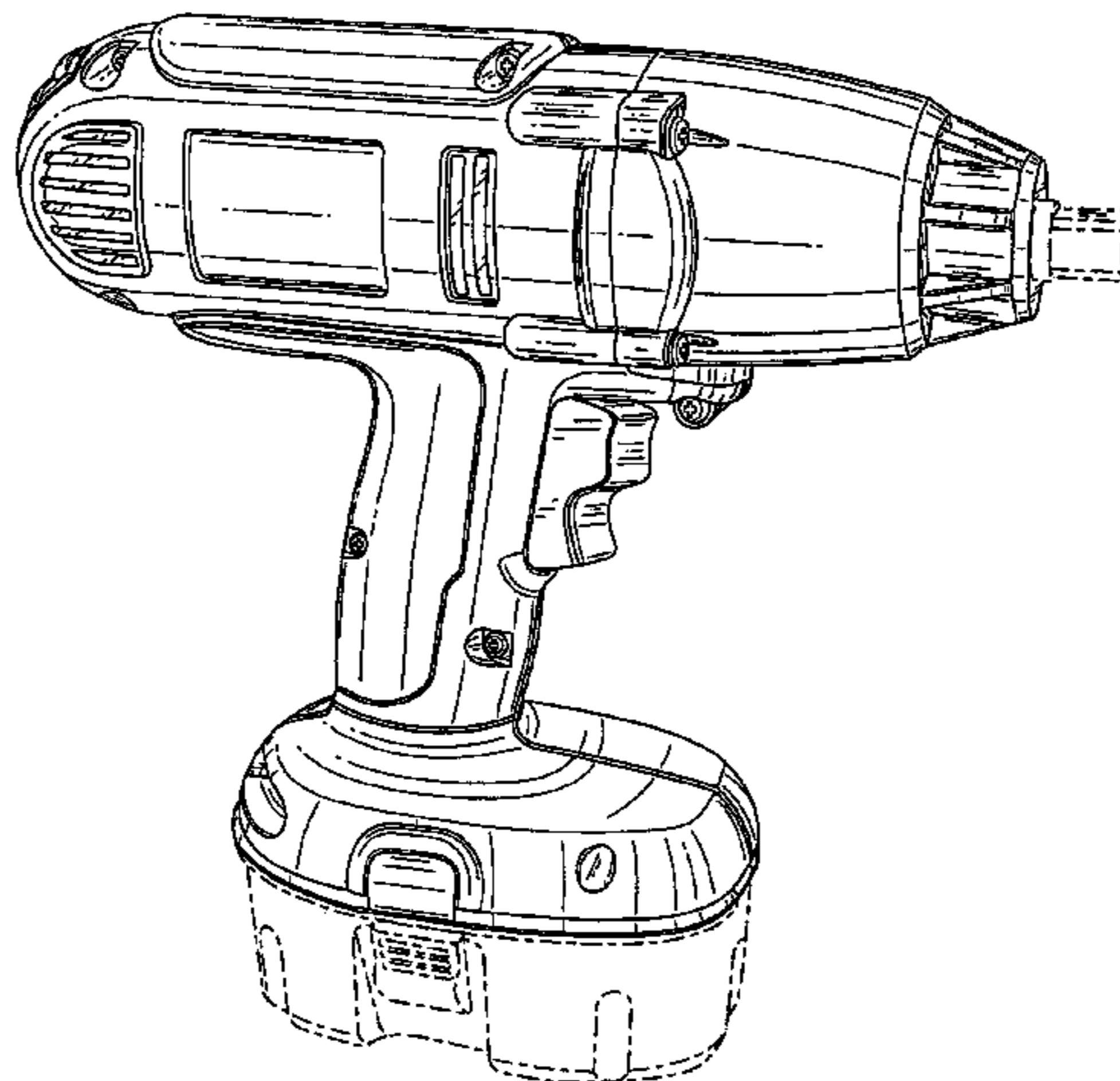
U.S. PATENT DOCUMENTS

D156,319 S	12/1949	Bushnell	
D159,044 S	6/1950	Bushnell	
D295,714 S	5/1988	Sasaki et al.	
D320,917 S	10/1991	Fushiya et al.	
D335,073 S	4/1993	Anthony et al.	
D339,046 S	9/1993	Fushiya et al.	
D340,394 S	10/1993	Okumura	
D340,396 S	10/1993	Ichikawa	
D342,430 S	12/1993	Saito et al.	
D359,215 S	* 6/1995	Zurwelle	D8/68
D362,167 S	* 9/1995	Zurwelle	D8/68
D368,214 S	3/1996	Zurwelle	
D376,969 S	12/1996	Kazamaki et al.	
D378,268 S	* 3/1997	Schultz	D8/68

DESCRIPTION

FIG. 1 is a right front perspective view of an impact driver showing my new design.
FIG. 2 is a left side view of the impact driver of FIG. 1.
FIG. 3 is a right side view of the impact driver of FIG. 1.
FIG. 4 is a front view of the impact driver of FIG. 1.
FIG. 5 is a rear view of the impact driver of FIG. 1.
FIG. 6 is a top view of the impact driver of FIG. 1; and,
FIG. 7 is a bottom view of the impact driver of FIG. 1.
The broken lines and the areas within the broken lines form no part of the claimed ornamental design.

1 Claim, 5 Drawing Sheets



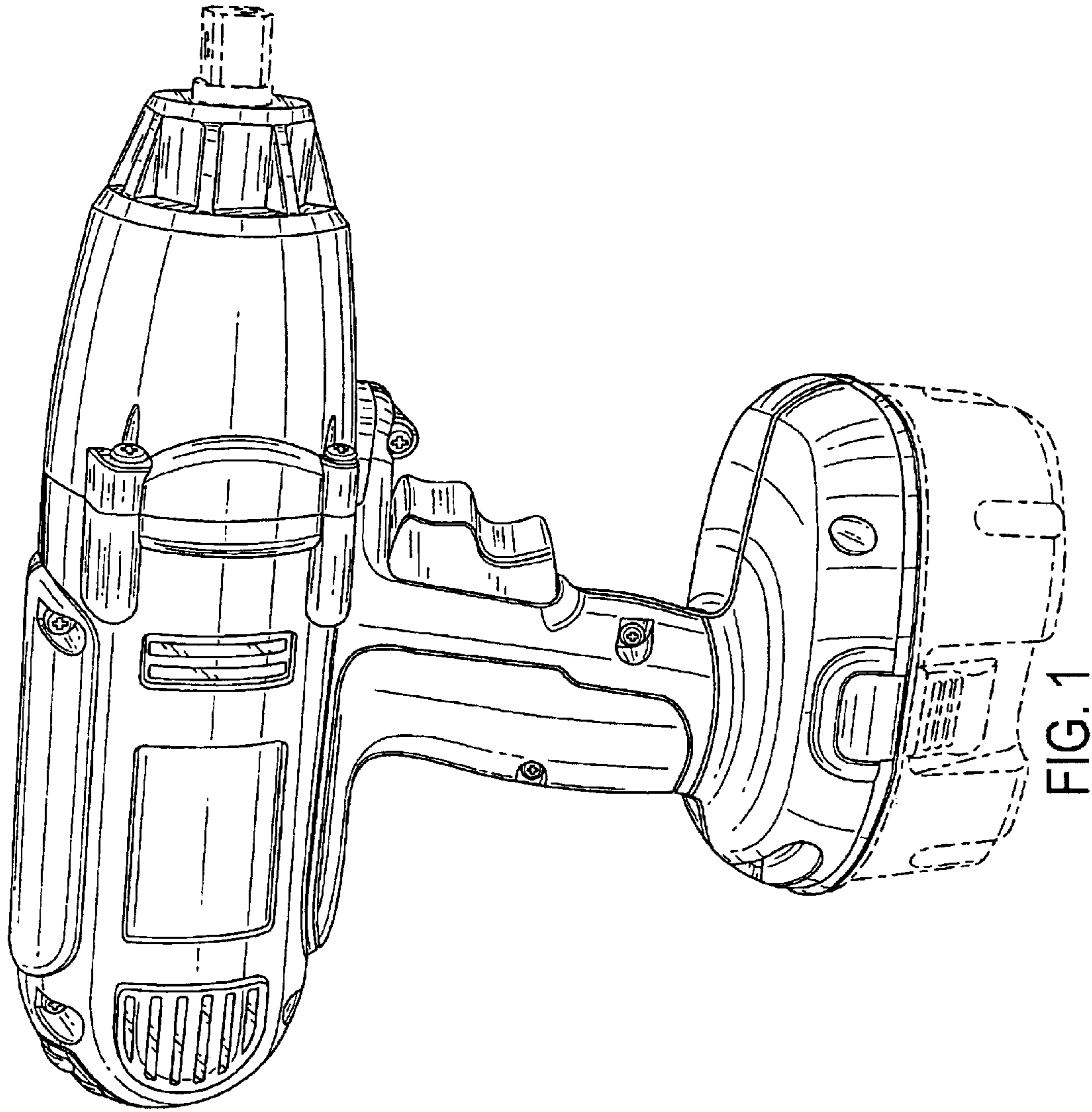
US D499,624 S

Page 2

U.S. PATENT DOCUMENTS

D428,320 S	7/2000	Ohi et al.	
D431,766 S	10/2000	Zurwelle	
D435,414 S	12/2000	Etter et al.	
D437,761 S	2/2001	Okumura et al.	
D446,704 S	8/2001	Shibata et al.	
6,364,580 B1 *	4/2002	Dils et al.	408/241 R
D460,674 S *	7/2002	Heun	D8/68
6,431,289 B1 *	8/2002	Potter et al.	173/217
D462,248 S *	9/2002	Cooper	D8/68
D462,594 S	9/2002	Flickinger	
D466,777 S	12/2002	Watson	
D467,147 S	12/2002	Watson	
D467,148 S *	12/2002	Flickinger	D8/68
D467,780 S	12/2002	Koizumi	
6,502,648 B2 *	1/2003	Milbourne	173/178
D469,675 S *	2/2003	Chung	D8/68
6,528,921 B1 *	3/2003	Nakane	310/50
D477,205 S *	7/2003	Sakai et al.	D8/68

* cited by examiner



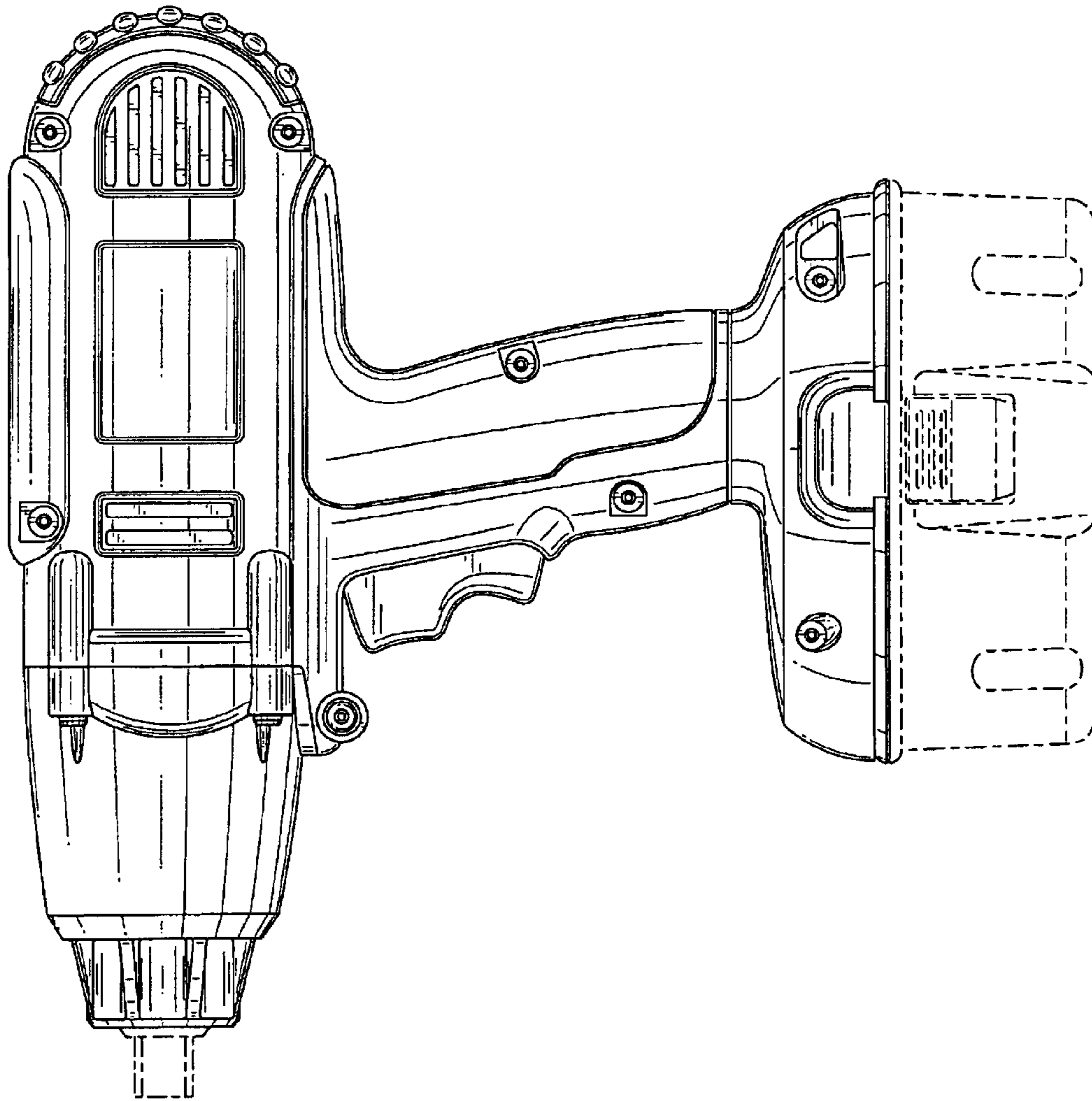


FIG. 2

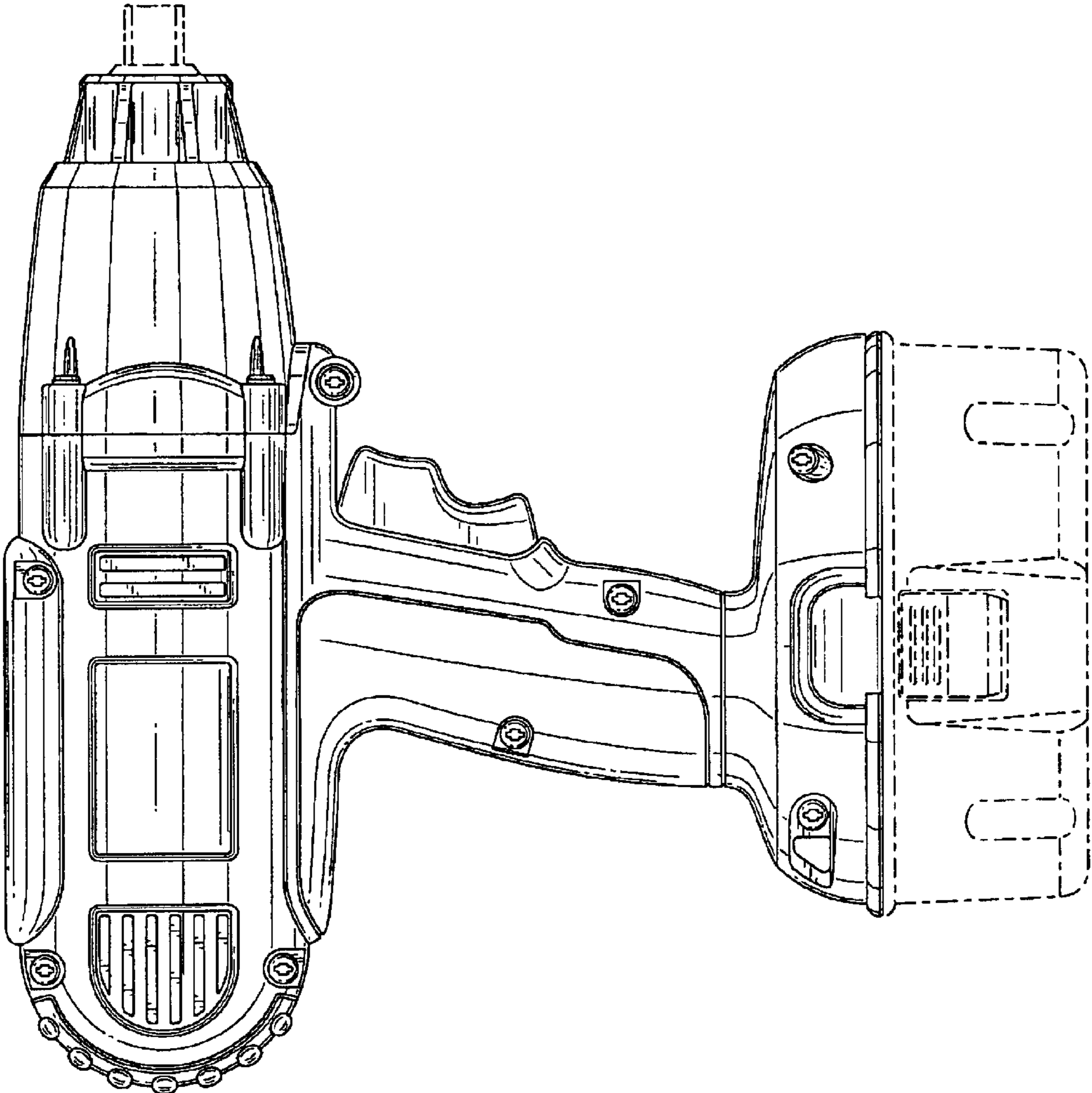


FIG. 3

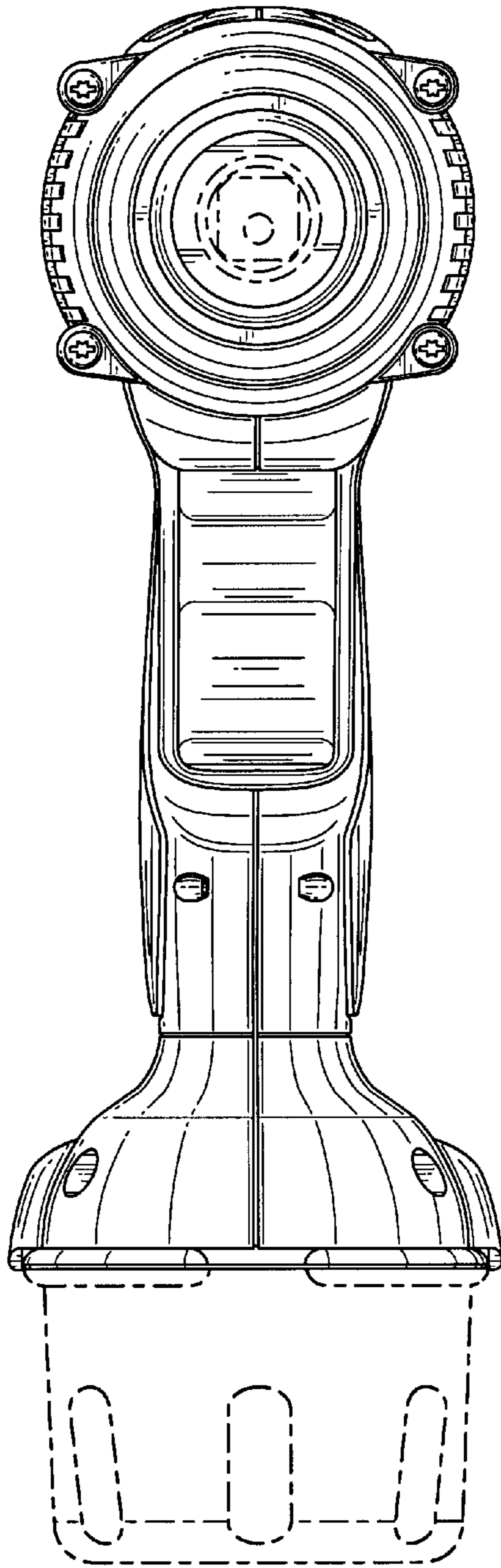


FIG. 4

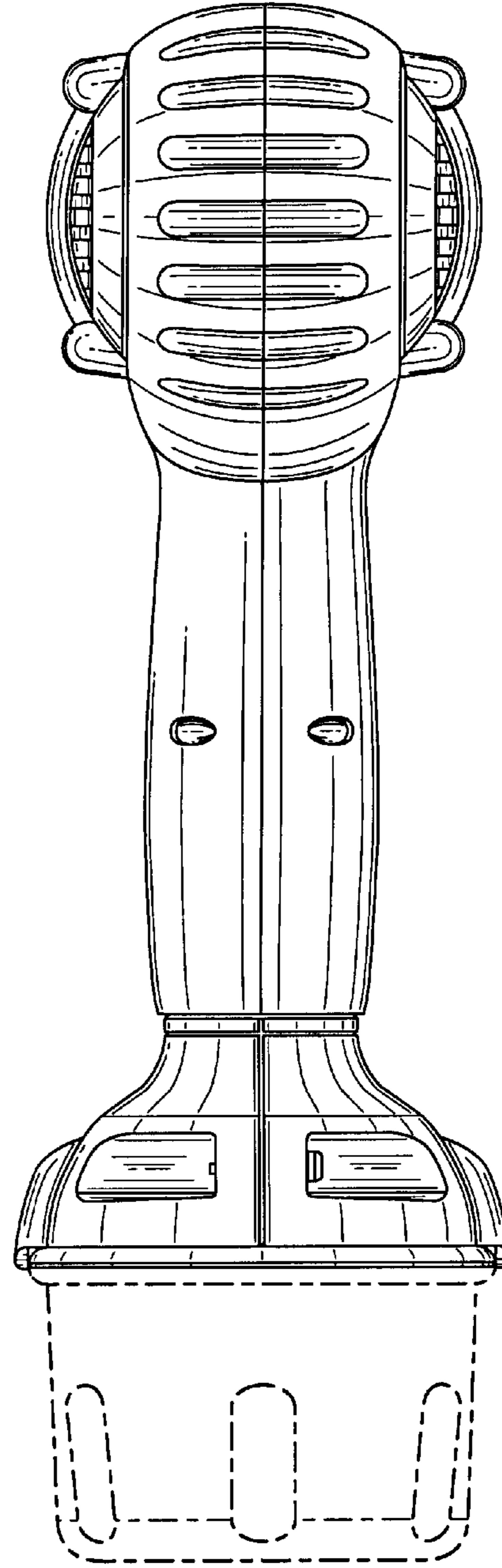


FIG. 5

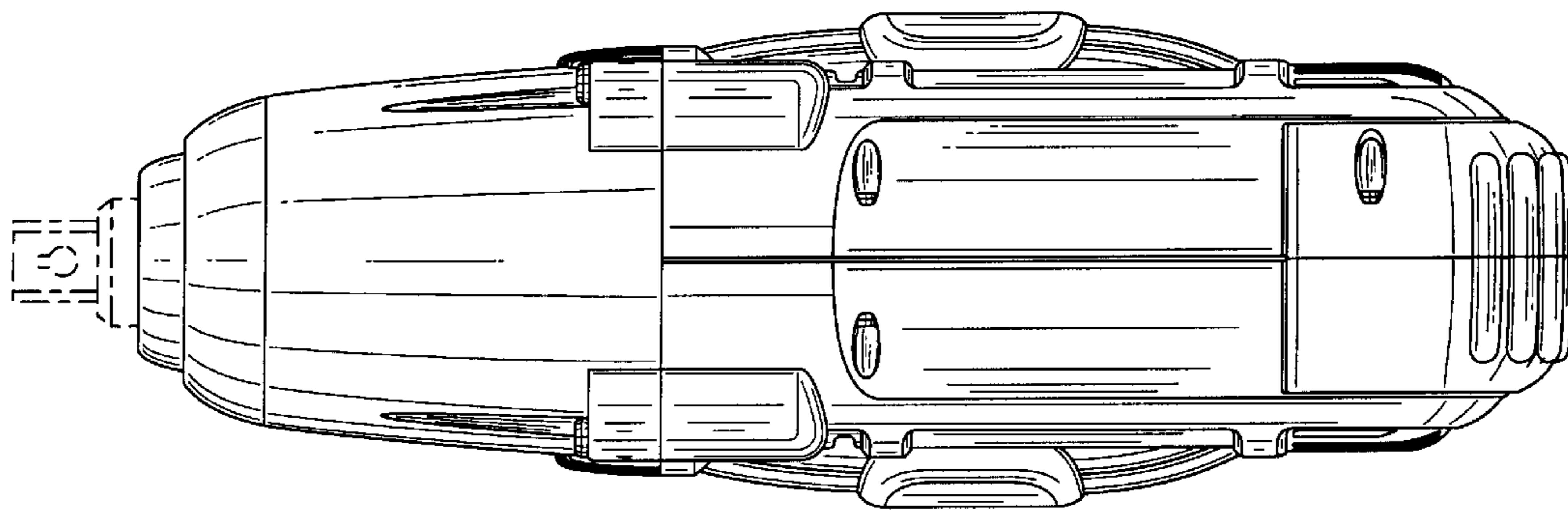


FIG. 6

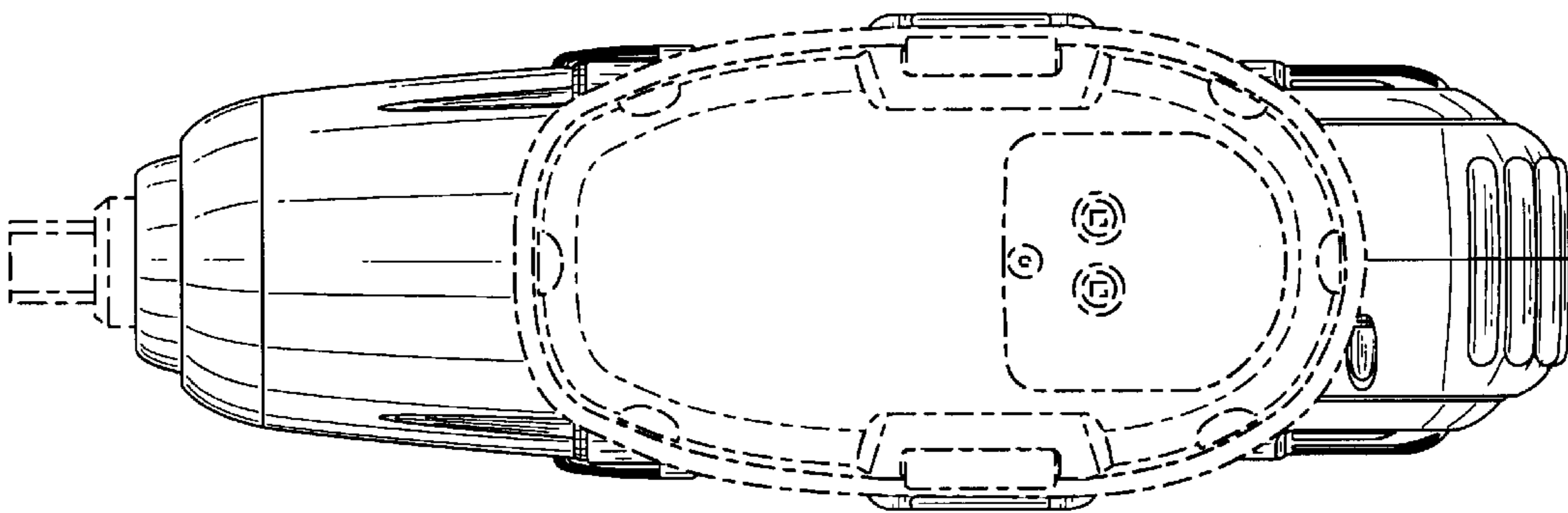


FIG. 7