

US00D499623S

(12) **United States Design Patent**  
**Buck**

(10) **Patent No.:** **US D499,623 S**  
(45) **Date of Patent:** **\*\* Dec. 14, 2004**

- (54) **FASTENER TOOL**
- (75) **Inventor:** **John E. Buck**, Cockeysville, MD (US)
- (73) **Assignee:** **Black & Decker Inc.**, Newark, DE (US)
- (\*\*) **Term:** **14 Years**
- (21) **Appl. No.:** **29/181,127**
- (22) **Filed:** **May 5, 2003**

- D332,561 S \* 1/1993 Fushiya et al. .... D8/69
- D377,592 S \* 1/1997 Hattori ..... D8/69
- D379,912 S \* 6/1997 Burke et al. .... D8/68
- D416,182 S \* 11/1999 Kaiser et al. .... D8/69
- 6,102,270 A \* 8/2000 Robinson ..... 227/130
- 6,131,787 A \* 10/2000 Curtis ..... 227/120
- D435,206 S \* 12/2000 Etter et al. .... D8/68
- 6,186,386 B1 \* 2/2001 Canlas et al. .... 227/8
- 6,189,759 B1 \* 2/2001 Canlas et al. .... 227/120
- D477,976 S \* 8/2003 Liu ..... D8/68

\* cited by examiner

*Primary Examiner*—Joel A. Sincavage  
*Assistant Examiner*—T. Chase Nelson  
(74) *Attorney, Agent, or Firm*—Adan Ayala

**Related U.S. Application Data**

- (63) Continuation of application No. 29/160,989, filed on May 20, 2002, now Pat. No. Des. 477,759, which is a continuation of application No. 29/136,780, filed on Feb. 7, 2001, now Pat. No. Des. 461,694, which is a continuation-in-part of application No. 29/136,706, filed on Feb. 6, 2001, now Pat. No. Des. 459,184, and a continuation-in-part of application No. 29/136,708, filed on Feb. 6, 2001, now Pat. No. Des. 459,185.

- (51) **LOC (7) Cl.** ..... **08-05**
- (52) **U.S. Cl.** ..... **D8/68; D8/69**
- (58) **Field of Search** ..... D8/14.1, 61, 62, D8/63, 64, 65, 66, 67, 68, 69, 70; 81/57.11, 429, 464, 465, 466, 469, 489; 173/13, 169, 178, 213, 217; 227/8, 114, 120, 130, 136, 142; 310/50; 408/20, 124, 125, 234, 241 R; 451/358

(56) **References Cited**

**U.S. PATENT DOCUMENTS**

- D219,259 S \* 11/1970 Perkins ..... D8/61
- D260,354 S \* 8/1981 Proops et al. .... D8/61

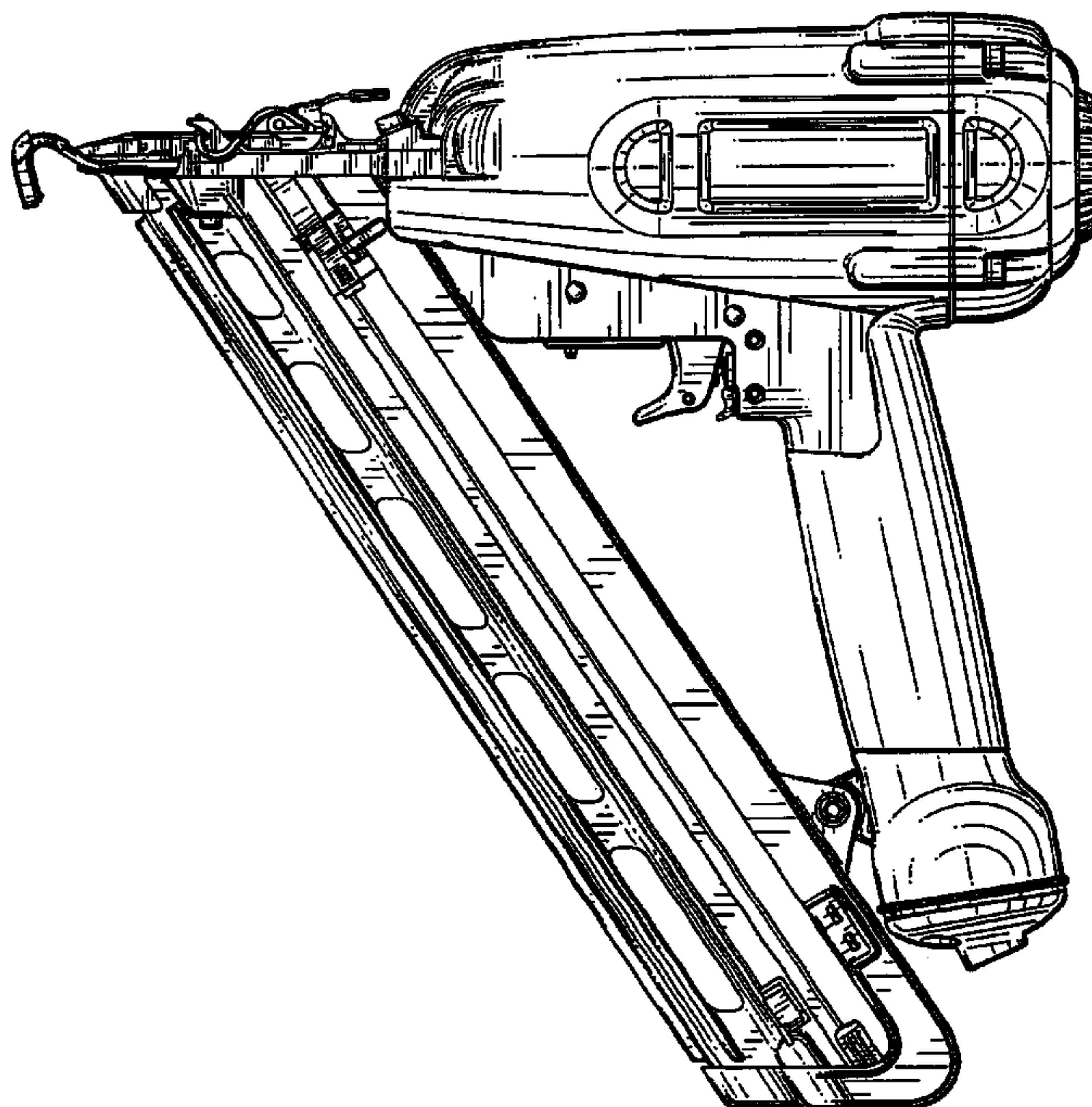
(57) **CLAIM**

The ornamental design for a fastener tool, as shown and described.

**DESCRIPTION**

FIG. 1 is a right side elevational of an embodiment of a fastener tool showing my new design.  
 FIG. 2 is a left side elevational view of the embodiment.  
 FIG. 3 is a bottom plan view of the embodiment.  
 FIG. 4 is a top plan view of the embodiment.  
 FIG. 5 is a front elevational view of the embodiment.  
 FIG. 6 is a rear elevational view of the embodiment.  
 FIG. 7 is a perspective view from the right side of the embodiment; and,  
 FIG. 8 is a perspective view from the left side of the embodiment.  
 In the above drawings, any broken line illustration is not part of the design sought to be patented.

**1 Claim, 8 Drawing Sheets**



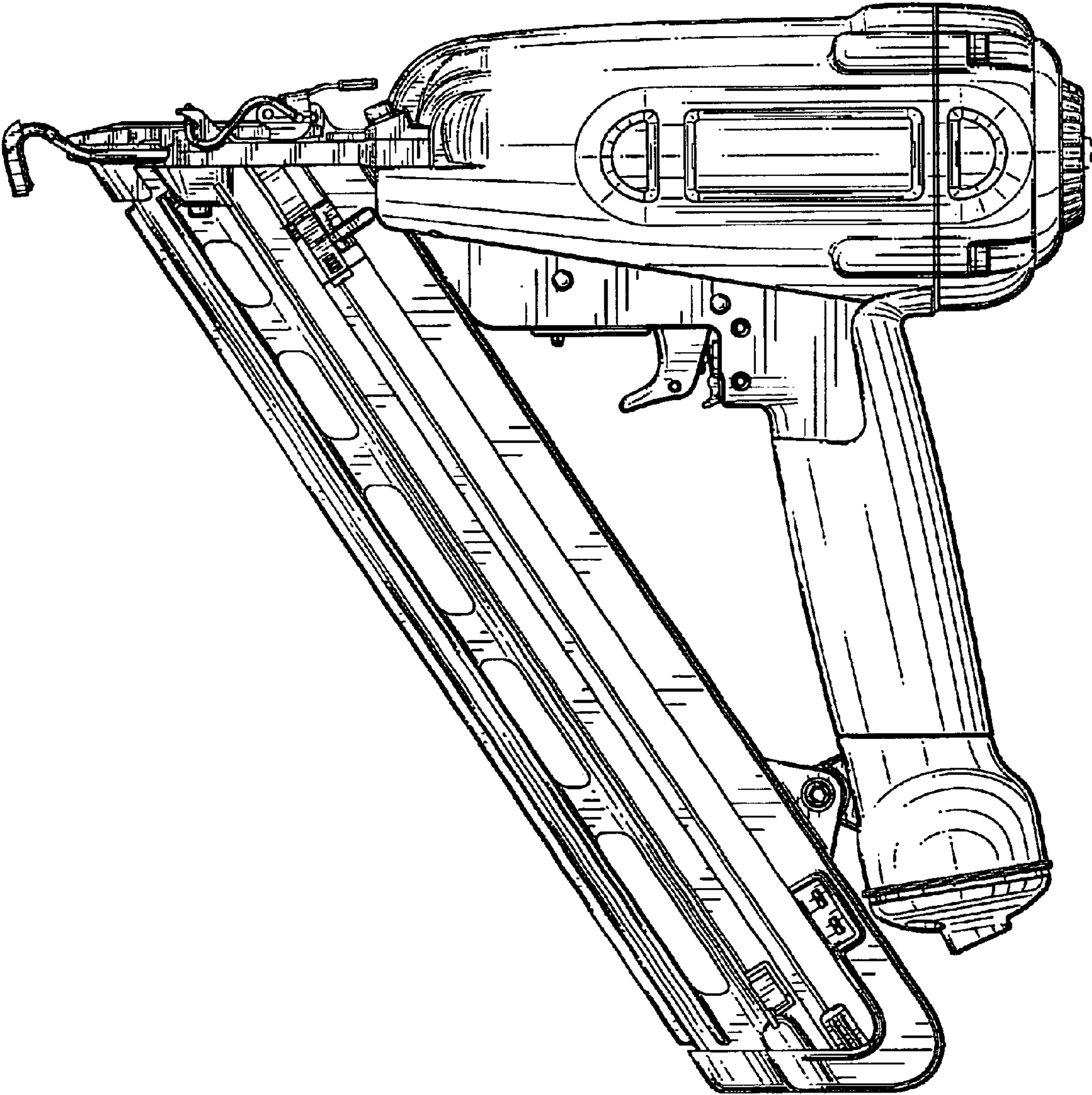


FIG. 1



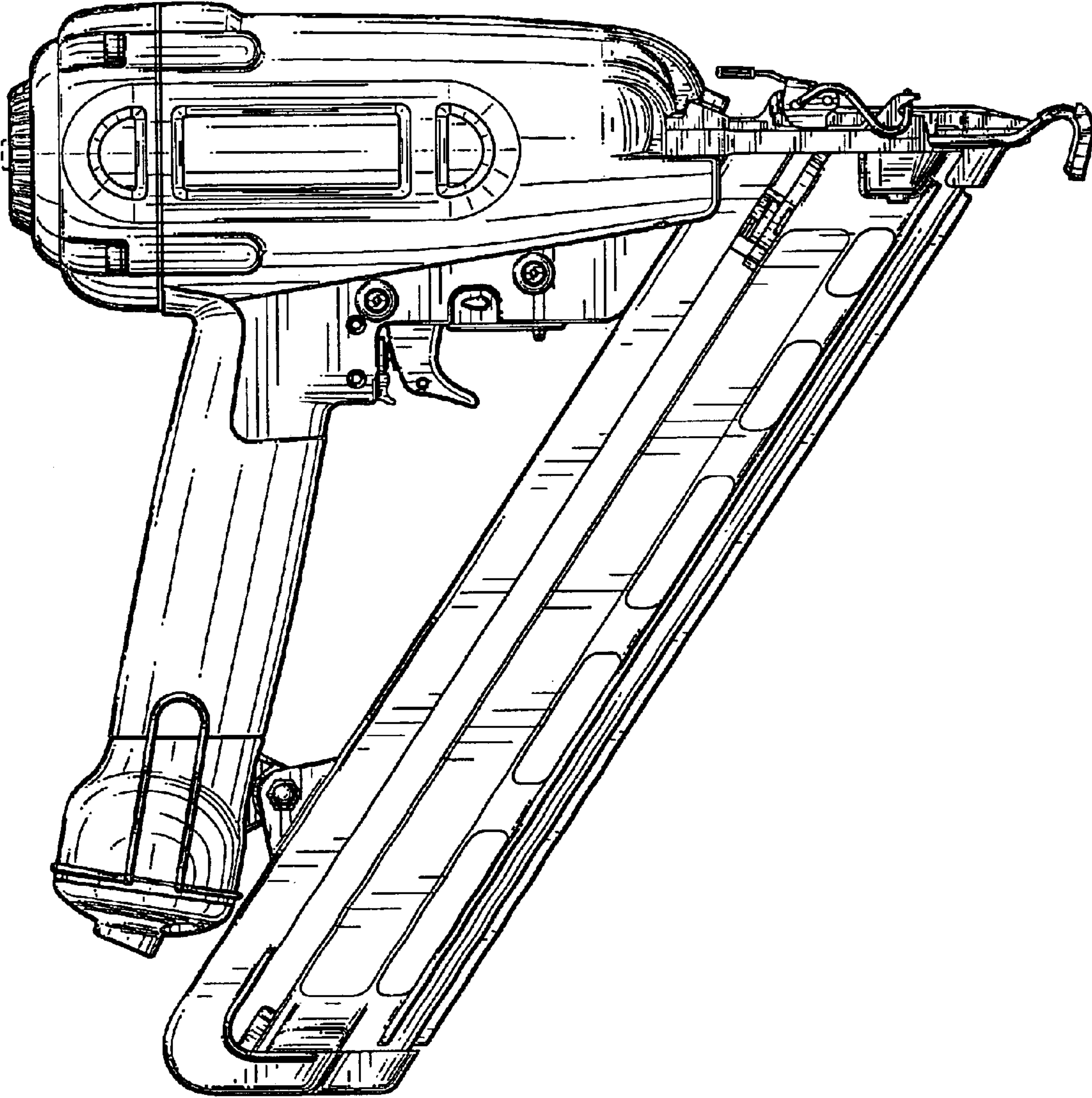


FIG. 2

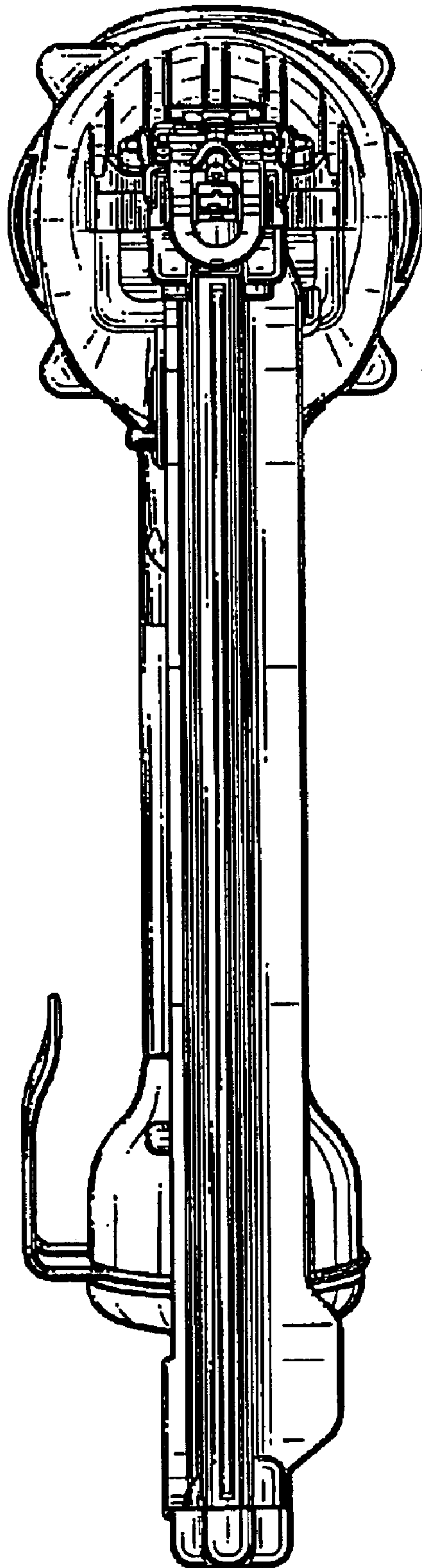


FIG. 3

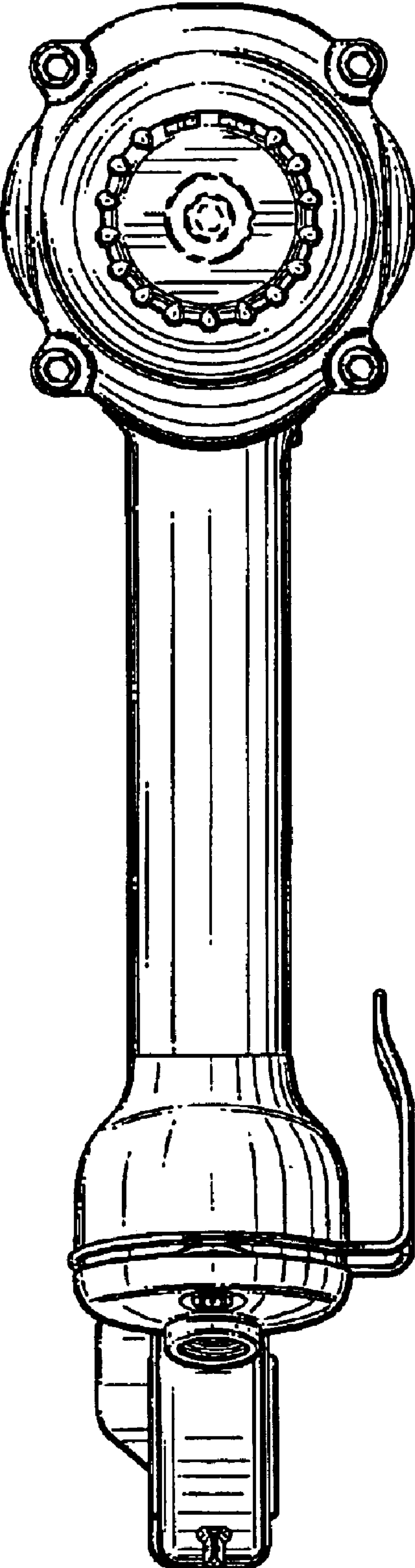


FIG. 4

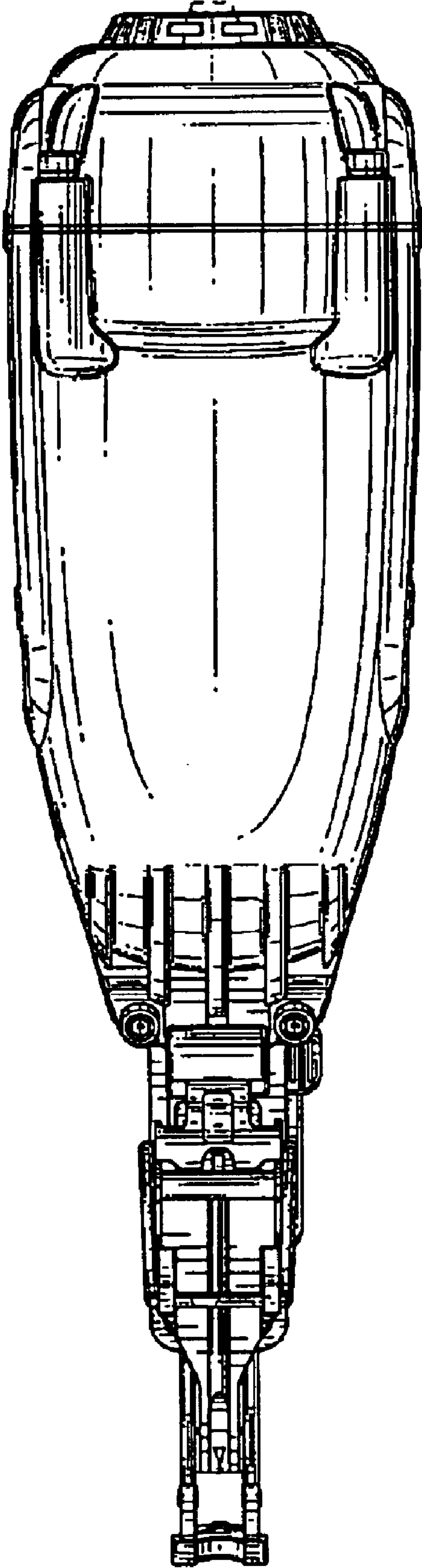


FIG. 5

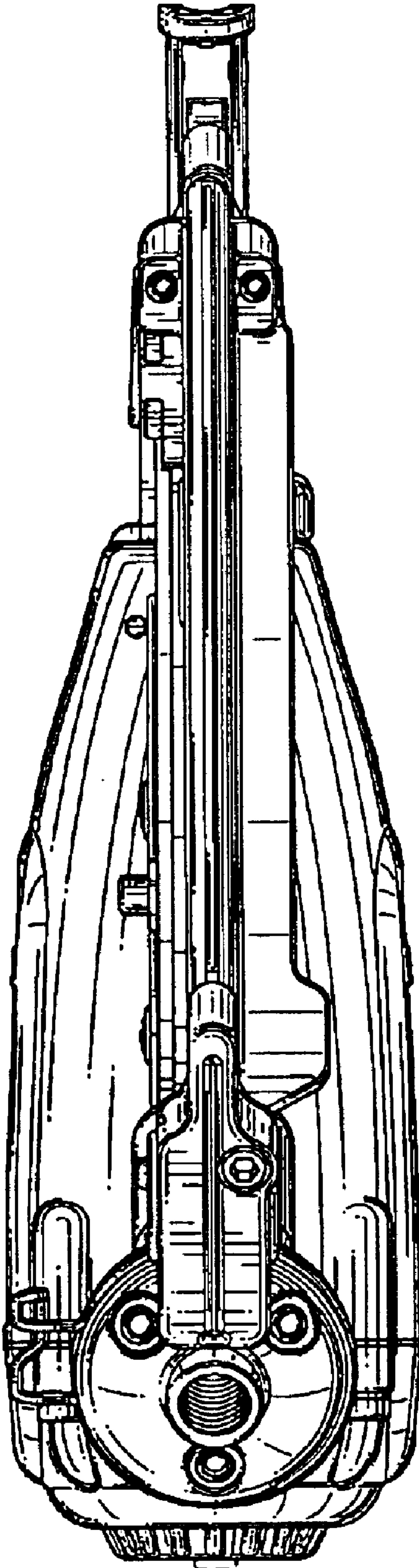


FIG. 6



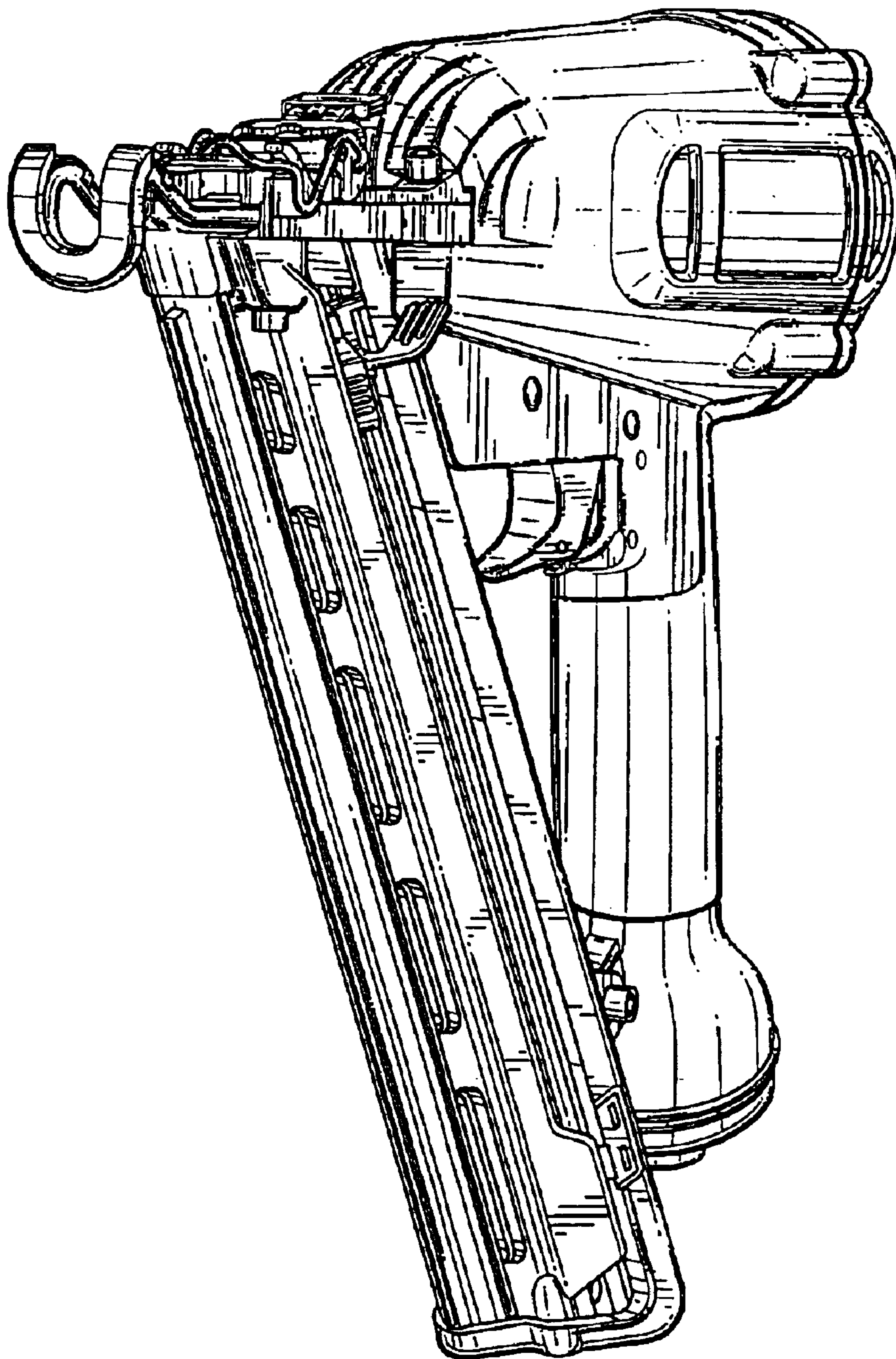


FIG. 7



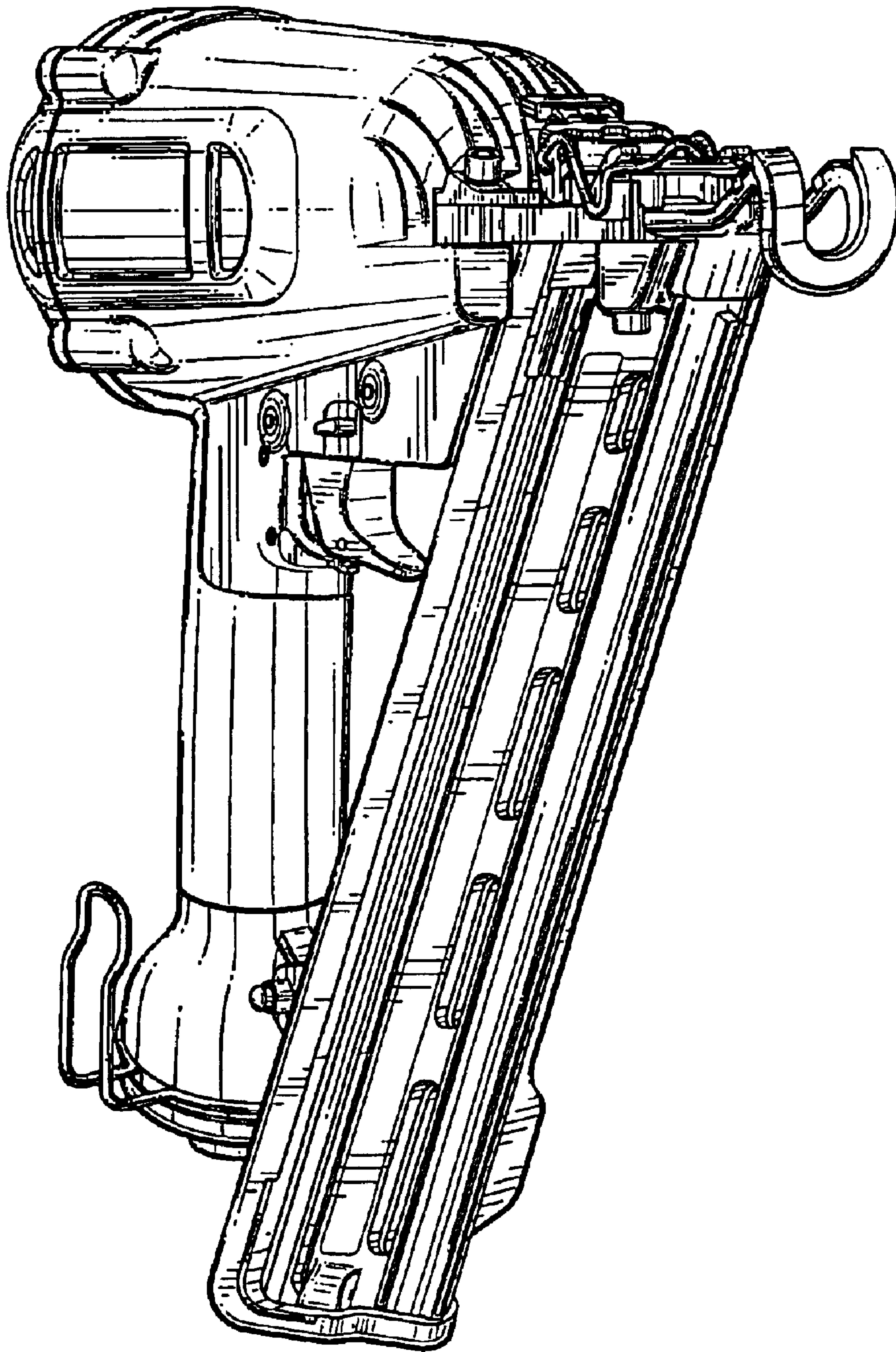


FIG. 8