

US00D499622S

(12) **United States Design Patent** (10) **Patent No.:** **US D499,622 S**
Rivera et al. (45) **Date of Patent:** **** Dec. 14, 2004**

(54) **MULTIPURPOSE HAND TOOL WITH FOLDING PLIERS**

D405,675 S 2/1999 Rivera
D405,676 S 2/1999 Rivera
D406,508 S 3/1999 Rivera

(75) Inventors: **Benjamin C. Rivera**, West Linn, OR (US); **Hollan A. Tsuda**, Portland, OR (US); **Nathan E. Knight**, Portland, OR (US); **Melissa C. Yale**, Portland, OR (US); **Glenn Klecker**, Silverton, OR (US)

(List continued on next page.)

Primary Examiner—Clare E Heflin
(74) *Attorney, Agent, or Firm*—Chernoff, Vilhauer, McClung & Stenzel, LLP

(73) Assignee: **Leatherman Tool Group, Inc.**, Portland, OR (US)

(57) **CLAIM**

The ornamental design for a multipurpose hand tool with folding pliers, as shown and described.

(**) Term: **14 Years**

DESCRIPTION

(21) Appl. No.: **29/197,283**

FIG. 1 is an isometric view from the upper right front of a multipurpose hand tool with folding pliers including our new design, wherein heads of pivot pins and portions of a blade latch mechanism shown in broken line are included merely for illustrative purposes and form no part of the claimed design;

(22) Filed: **Jan. 13, 2004**

(51) **LOC (7) Cl.** **08-05**

(52) **U.S. Cl.** **D8/55; D8/52; D8/58**

(58) **Field of Search** D8/54–56, 99, D8/105, 107; 7/118, 119, 125–135, 158, 163–166, 168; 30/160, 161; 81/427.5, 440

FIG. 2 is a right side elevational view thereof, wherein heads of pivot pins and portions of a blade latch mechanism shown in broken line are included merely for illustrative purposes and form no part of the claimed design;

(56) **References Cited**

U.S. PATENT DOCUMENTS

2,869,232 A	1/1959	Kivela	
3,783,509 A	1/1974	Lake	
D280,179 S	8/1985	Miceli	
4,744,272 A	5/1988	Leatherman	
5,111,581 A	5/1992	Collins	
D332,384 S	* 1/1993	Dague D8/105
D344,006 S	2/1994	Glesser	
D356,019 S	3/1995	Sakai	
D357,166 S	* 4/1995	Concari D8/107
D367,807 S	3/1996	Hung	
D368,634 S	4/1996	Frazer	
D373,521 S	9/1996	Applegate et al.	
D382,190 S	8/1997	Blackston et al.	
D384,872 S	10/1997	Yeh	
D385,170 S	10/1997	Rivera	
5,711,194 A	1/1998	Anderson	
D398,209 S	9/1998	Rivera	
D398,213 S	9/1998	Rivera	

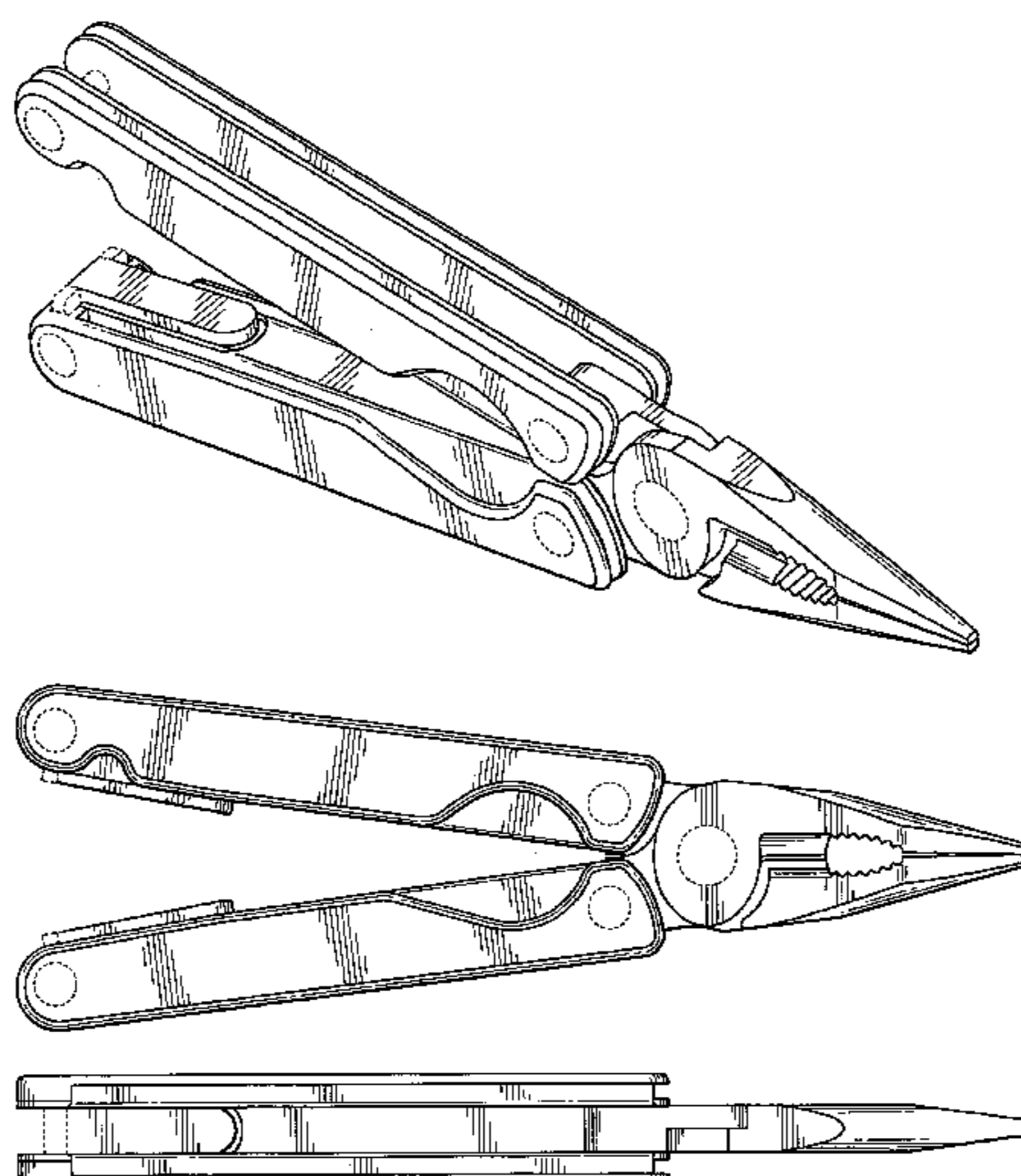
FIG. 3 is a left side elevational view thereof, wherein the heads of pivot pins and portions of a blade latch mechanism shown in broken line are included merely for illustrative purposes and form no part of the claimed design;

FIG. 4 is a top plan view thereof, a bottom plan view thereof being identical thereto, wherein a portion of a pivot pin shown in broken line is included merely for illustrative purposes and forms no part of the claimed design;

FIG. 5 is a rear end elevational view thereof, wherein portions of pivot pins and of blade latch mechanisms shown in broken line are included merely for illustrative purposes and form no part of the claimed design; and,

FIG. 6 is a front end elevational view thereof, wherein portions of pivot pins shown in broken line are included merely for illustrative purposes and form no part of the claimed design.

1 Claim, 4 Drawing Sheets



US D499,622 S

Page 2

U.S. PATENT DOCUMENTS

D406,509 S	3/1999	Rivera		D447,401 S	9/2001	Rivera	
D407,004 S	3/1999	Hull et al.		6,282,996 B1	9/2001	Berg et al.	
D408,238 S	4/1999	Rivera		6,305,041 B1	10/2001	Montague et al.	
6,003,180 A	* 12/1999	Frazer	7/128	6,318,218 B1 *	11/2001	Anderson et al.	81/440
6,047,426 A	* 4/2000	McIntosh et al.	7/129	6,427,334 B2	8/2002	Onion	
D427,501 S	7/2000	Rivera		D470,031 S	2/2003	Rivera	
D436,514 S	* 1/2001	Rivera	D8/105	D470,032 S	2/2003	Rivera	
D445,009 S	7/2001	Rivera		D470,372 S	2/2003	Rivera	
D446,708 S	8/2001	Rivera		D474,670 S	5/2003	Rivera	
D446,709 S	8/2001	Rivera		D479,788 S	* 9/2003	Ocklenburg	D8/105
D447,039 S	8/2001	Rivera		6,622,328 B2 *	9/2003	Rivera	7/128
D447,041 S	8/2001	Rivera		6,625,832 B2 *	9/2003	Montague et al.	7/128

* cited by examiner

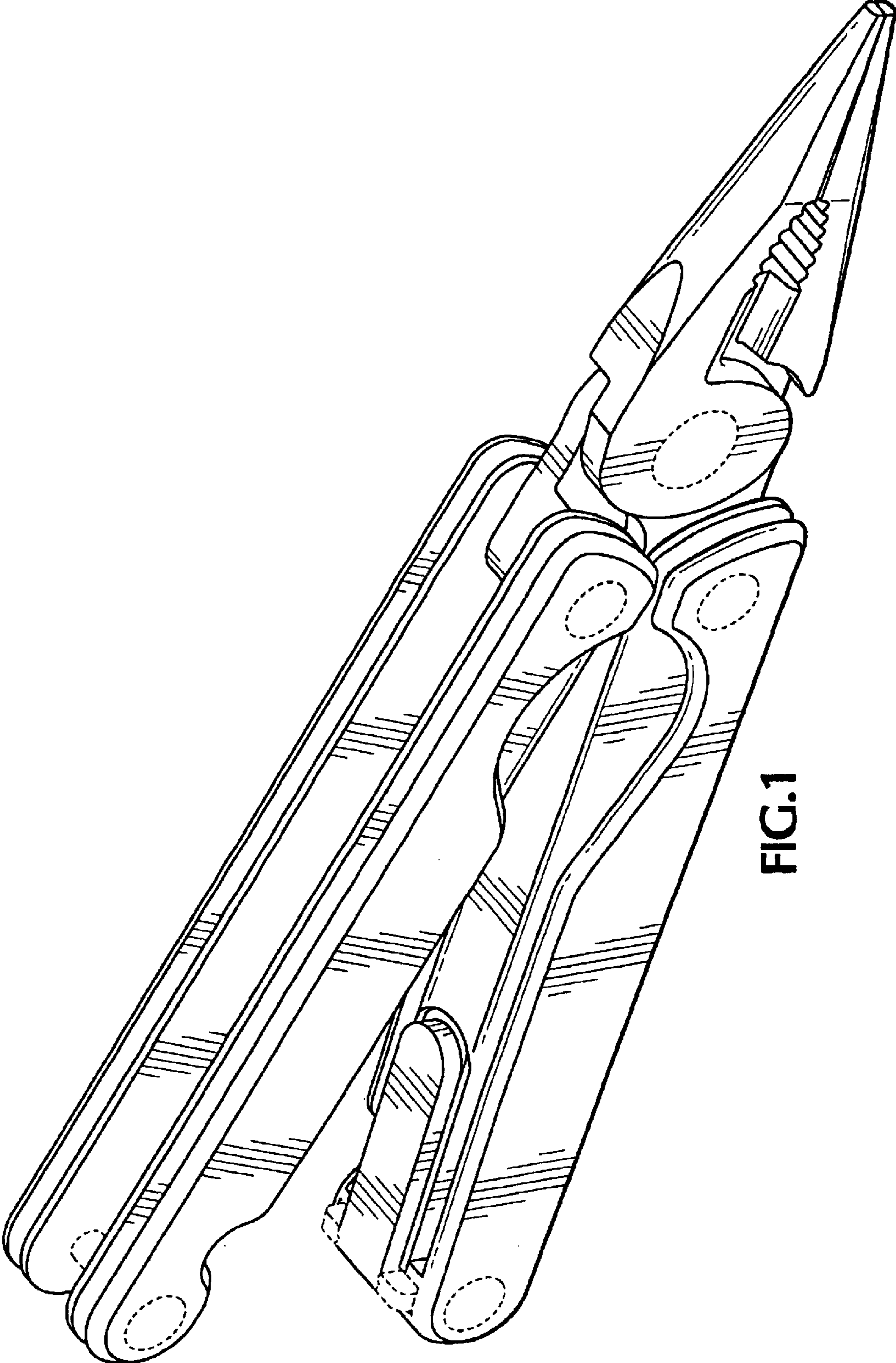


FIG.1

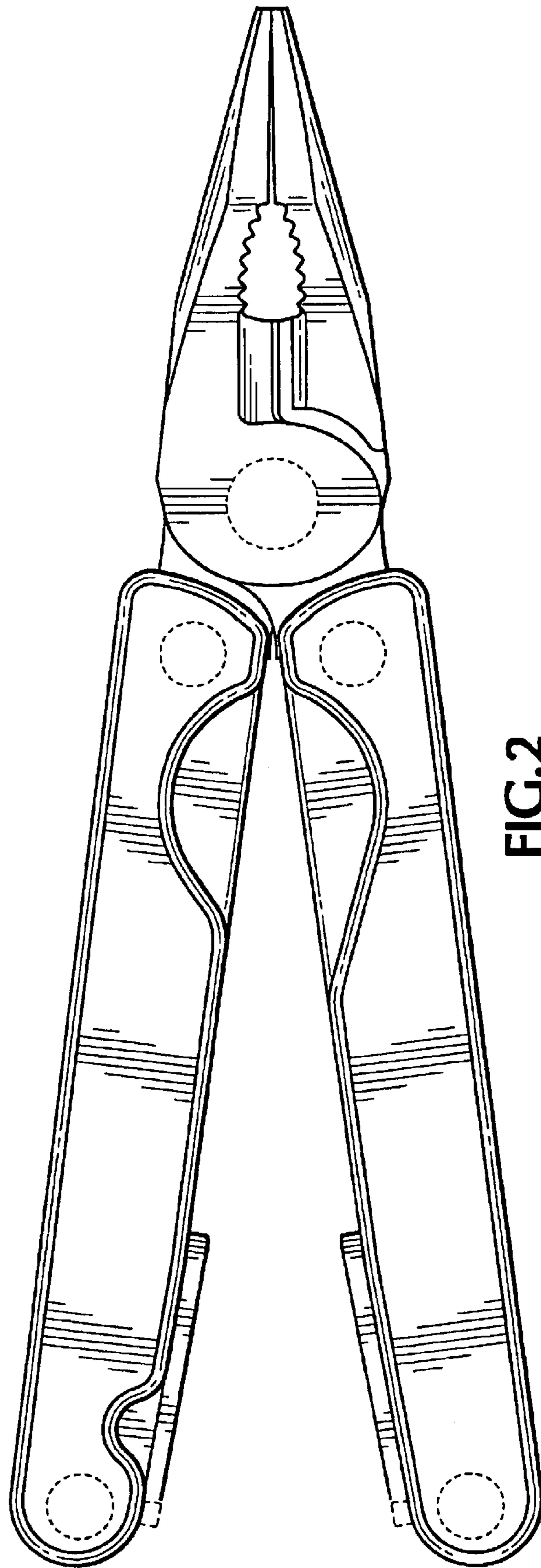


FIG. 2

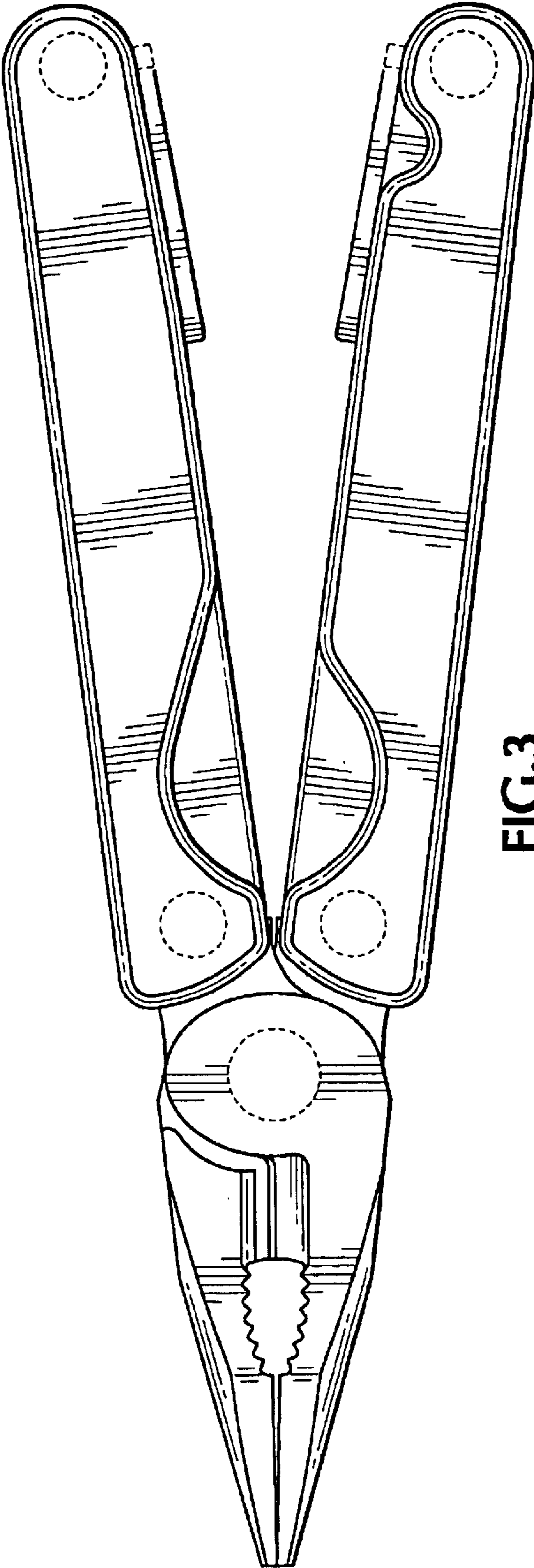


FIG.3

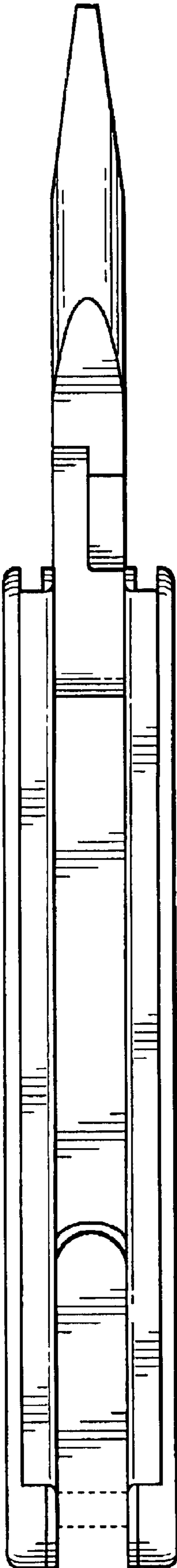


FIG. 4

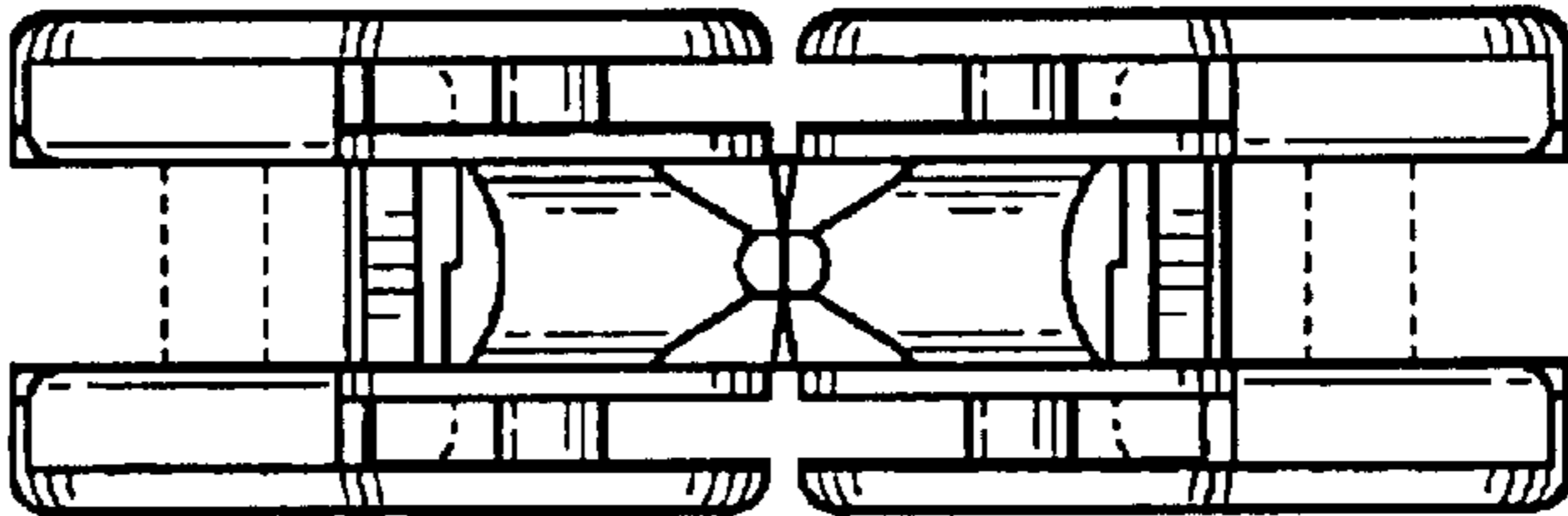


FIG. 6

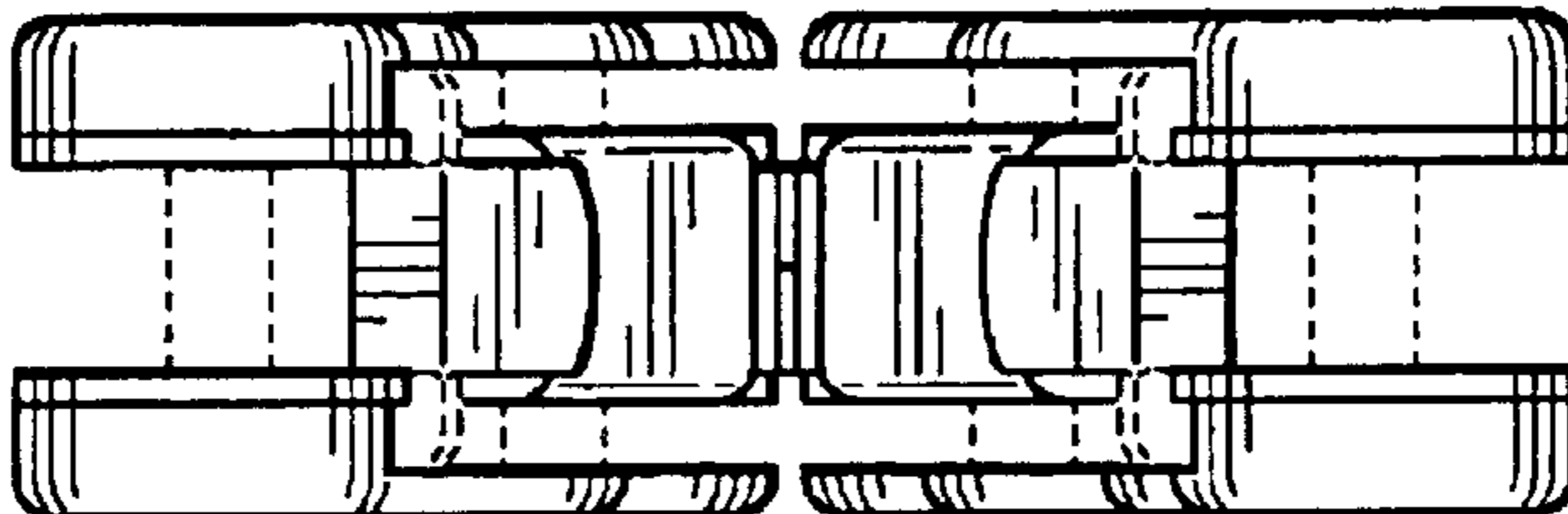


FIG. 5