



US00D499621S

(12) **United States Design Patent** (10) **Patent No.:** **US D499,621 S**
Tsuda (45) **Date of Patent:** **** Dec. 14, 2004**

(54) **HUB PORTION OF A PAIR OF JAWS FOR A TOOL**

(75) Inventor: **Hollan A. Tsuda**, Portland, OR (US)

(73) Assignee: **Leatherman Tool Group, Inc.**,
Portland, OR (US)

(**) Term: **14 Years**

(21) Appl. No.: **29/200,349**

(22) Filed: **Feb. 25, 2004**

(51) **LOC (7) Cl.** **08-05**

(52) **U.S. Cl.** **D8/52; D8/58**

(58) **Field of Search** D8/54-56, 99,
D8/105, 107; 7/118, 119, 125-135, 158,
163-166, 168; 30/160, 161; 81/427.5, 440

(56) **References Cited**

U.S. PATENT DOCUMENTS

4,226,145	A	10/1980	Gill	
4,238,862	A	12/1980	Leatherman	
4,512,051	A	4/1985	Magan	
4,744,272	A	5/1988	Leatherman	
4,793,224	A	12/1988	Huang	
D332,384	S	* 1/1993	Dague D8/105
D357,166	S	* 4/1995	Concari D8/107
D367,807	S	3/1996	Hung	
D368,634	S	4/1996	Frazer	
D380,362	S	7/1997	Rivera	
D382,182	S	8/1997	Seber et al.	
D384,872	S	10/1997	Yeh	
D385,168	S	10/1997	Rivera	
D385,169	S	10/1997	Rivera	
D385,170	S	10/1997	Rivera	
D392,519	S	3/1998	Hung	
5,791,002	A	8/1998	Gardiner et al.	
D398,209	S	9/1998	Rivera	
5,809,599	A	9/1998	Frazer	
D401,133	S	11/1998	Gardiner	

(List continued on next page.)

OTHER PUBLICATIONS

Coast Cutlery Co., Micro-Pliers 12 in 1 Folding Tool MP2075CP, at least as early as Aug. 18, 1998.

Primary Examiner—Clare E Heflin

(74) *Attorney, Agent, or Firm*—Chernoff, Vilhauer, McClung & Stenzel, LLP

(57) **CLAIM**

The ornamental design for a hub portion of a pair of jaws for a tool, as shown and described.

DESCRIPTION

FIG. 1 is an isometric view from the upper right front of a hub portion of a pair of jaws for a tool, including my new design, wherein portions of a pair of pliers jaws shown in broken line are included merely for illustrative purposes and form no part of the claimed design;

FIG. 2 is an isometric view from the lower left rear of the hub portion of a pair of jaws for a tool shown in FIG. 1, wherein the portions of the pair of pliers jaws shown in broken line are included merely for illustrative purposes and form no part of the claimed design;

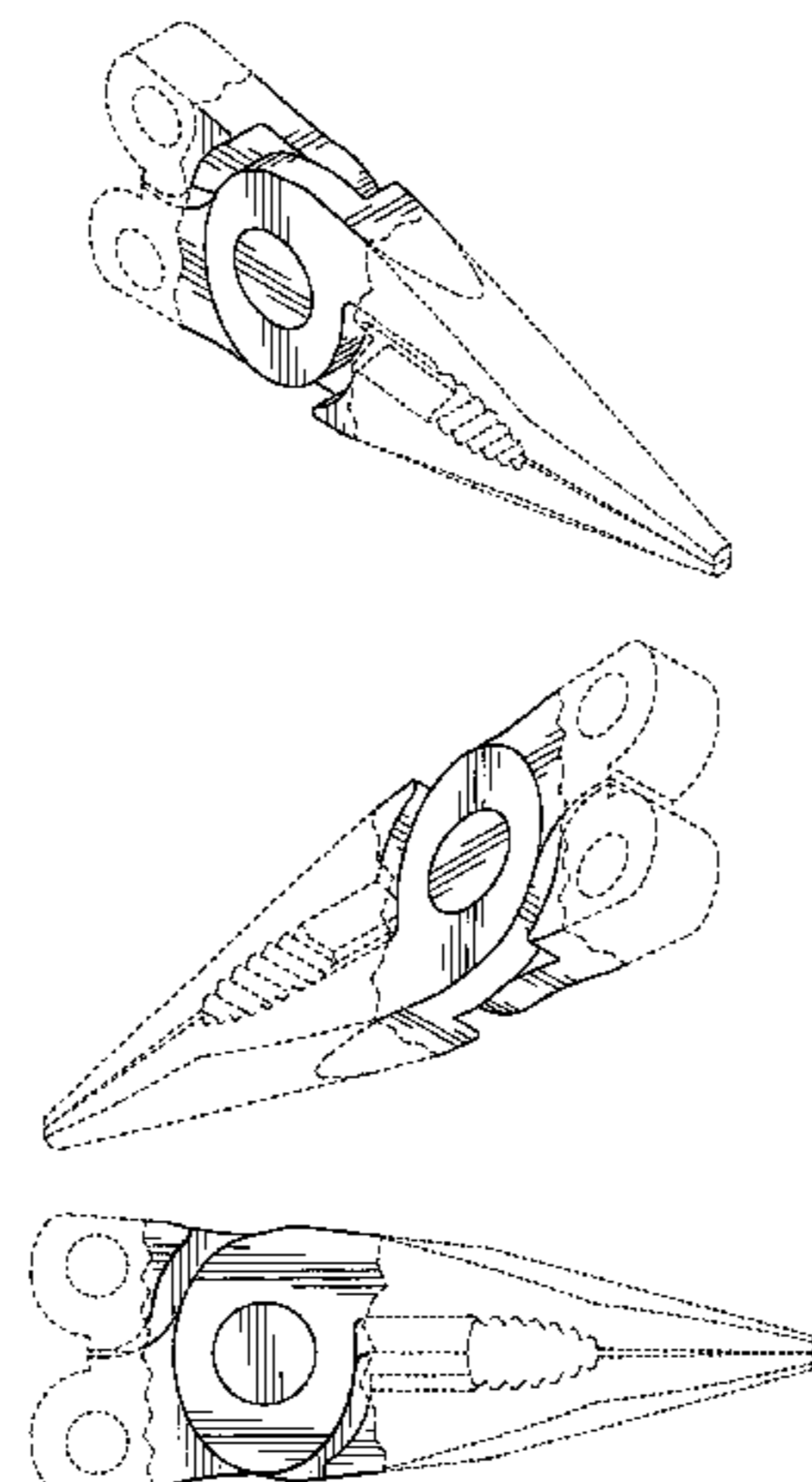
FIG. 3 is a right side elevational view thereof, wherein the portions of the pair of pliers jaws shown in broken line are included merely for illustrative purposes and form no part of the claimed design;

FIG. 4 is a top plan view thereof, wherein the portions of the pair of pliers jaws shown in broken line are included merely for illustrative purposes and form no part of the claimed design;

FIG. 5 is a bottom plan view thereof, wherein the portions of the pair of pliers jaws shown in broken line are included merely for illustrative purposes and form no part of the claimed design; and,

FIG. 6 is a left side elevational view thereof, wherein the portions of the pair of jaws for a tool shown in broken line are included merely for illustrative purposes and form no part of the claimed design.

1 Claim, 2 Drawing Sheets



US D499,621 S

Page 2

U.S. PATENT DOCUMENTS

D406,508 S	3/1999	Rivera	
D406,997 S	3/1999	Robbins	
D407,286 S	3/1999	Seber et al.	
D407,287 S	3/1999	Seber et al.	
D407,616 S	4/1999	Seber	
D407,621 S	4/1999	Koon	
D408,238 S	4/1999	Rivera	
D411,946 S	7/1999	Yeh	
D414,092 S	9/1999	Chang	
D414,387 S	9/1999	Hung	
6,003,180 A	* 12/1999	Frazer	7/128
D421,377 S	3/2000	Rivera	
6,047,426 A	* 4/2000	McIntosh et al.	7/129
D426,446 S	6/2000	Chau	
D426,447 S	6/2000	Chau	
D427,496 S	7/2000	Berg	
D429,131 S	8/2000	Rivera	
D429,132 S	8/2000	Rivera	
D433,902 S	11/2000	Rivera	
D436,514 S	* 1/2001	Rivera	D8/105
D442,451 S	5/2001	Berg	
D445,009 S	7/2001	Rivera	
6,318,218 B1	* 11/2001	Anderson et al.	81/440
D470,372 S	2/2003	Rivera	
D479,788 S	* 9/2003	Ocklenburg	D8/105
6,622,328 B2	* 9/2003	Rivera	7/128
6,625,832 B2	* 9/2003	Montague et al.	7/128

* cited by examiner

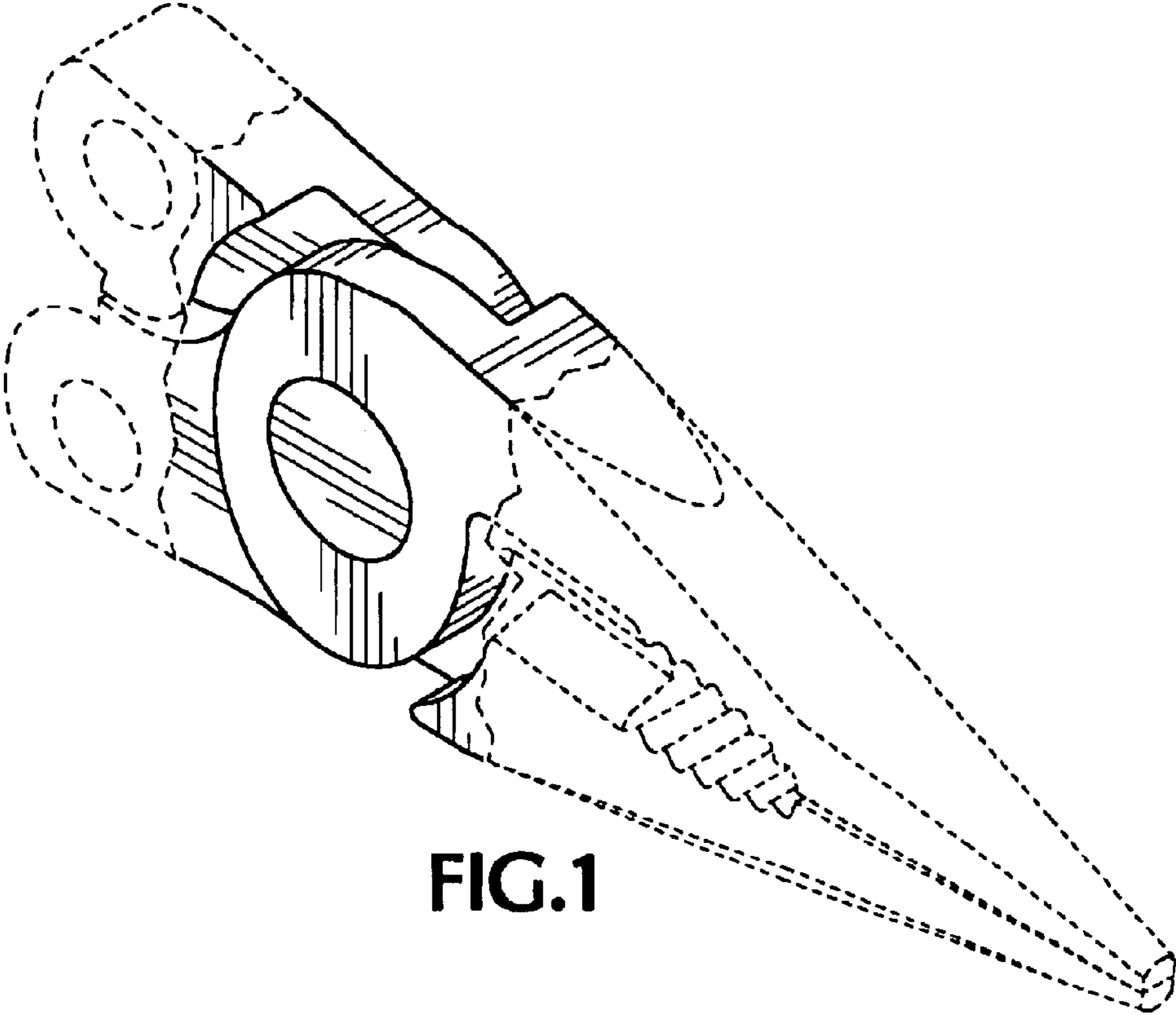


FIG.1

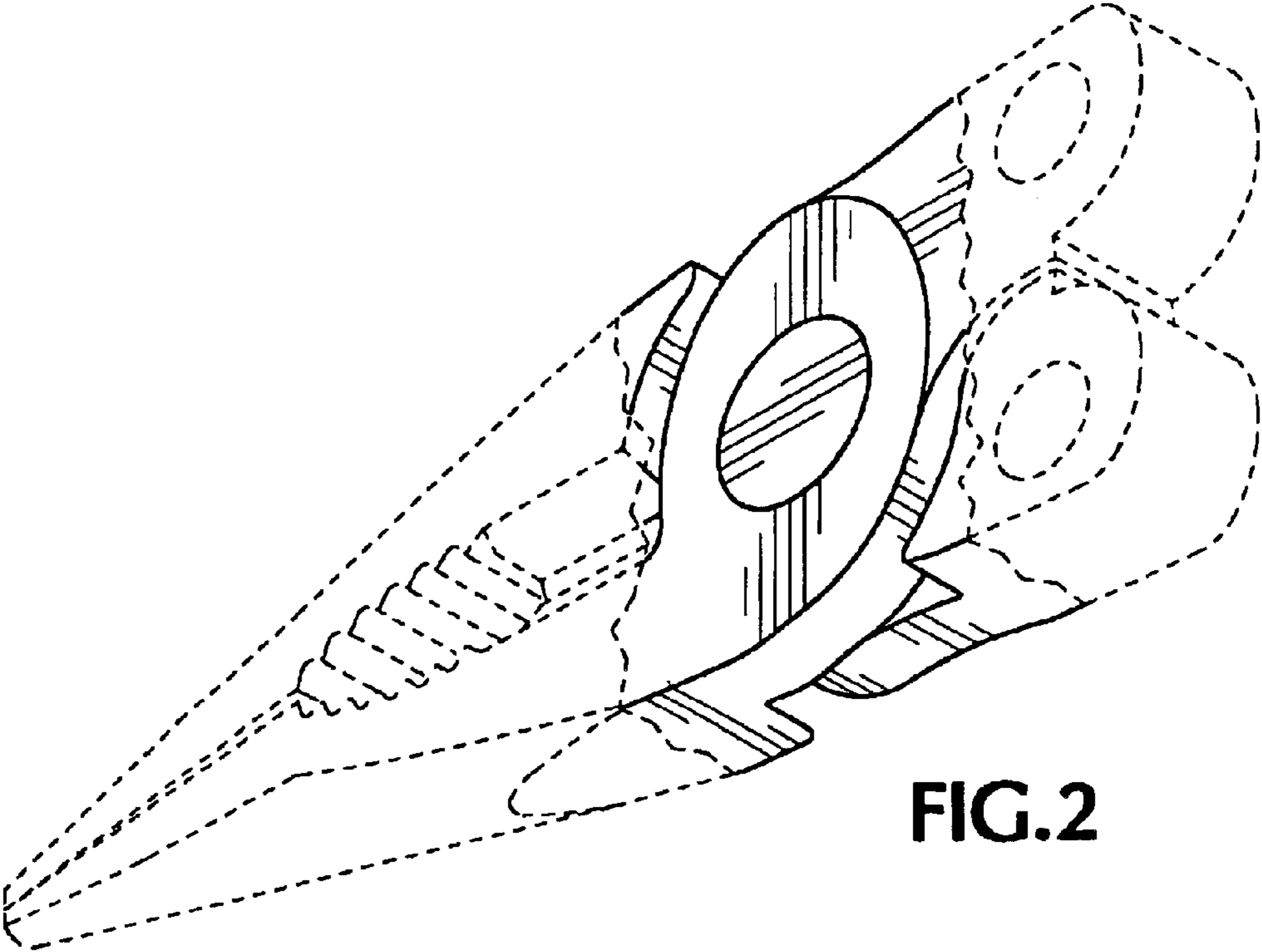


FIG.2



FIG. 4

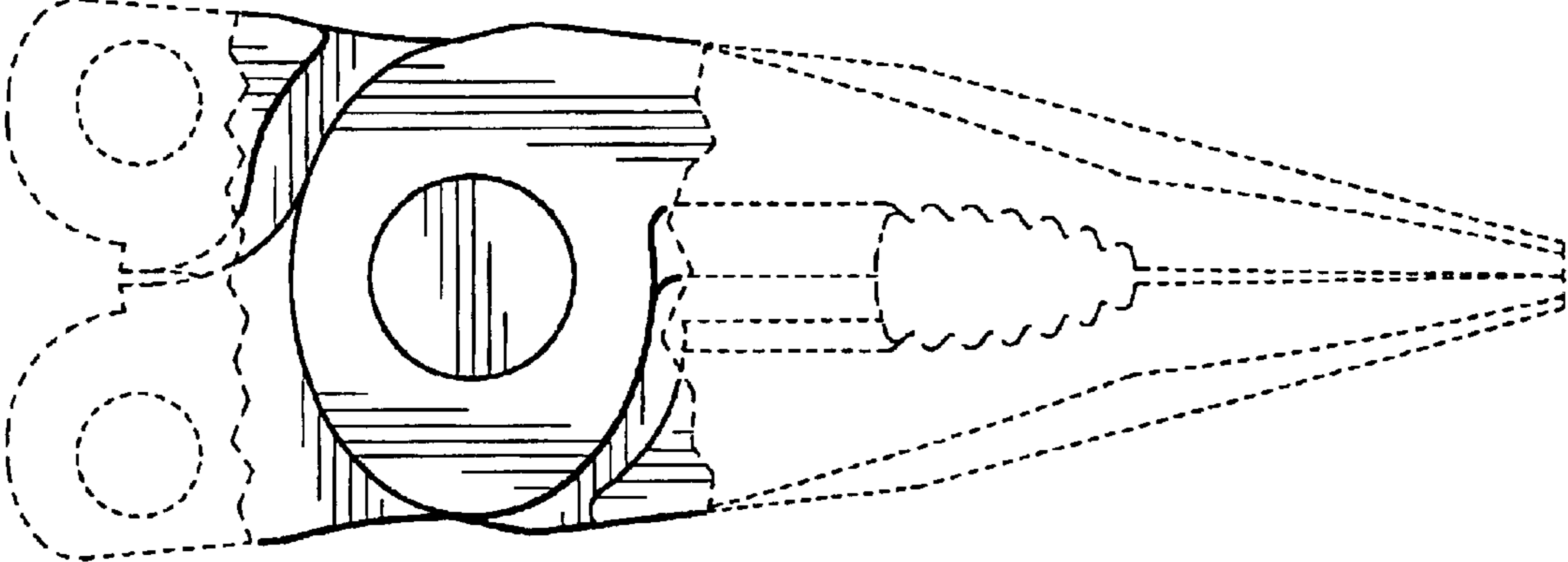


FIG. 3



FIG. 5

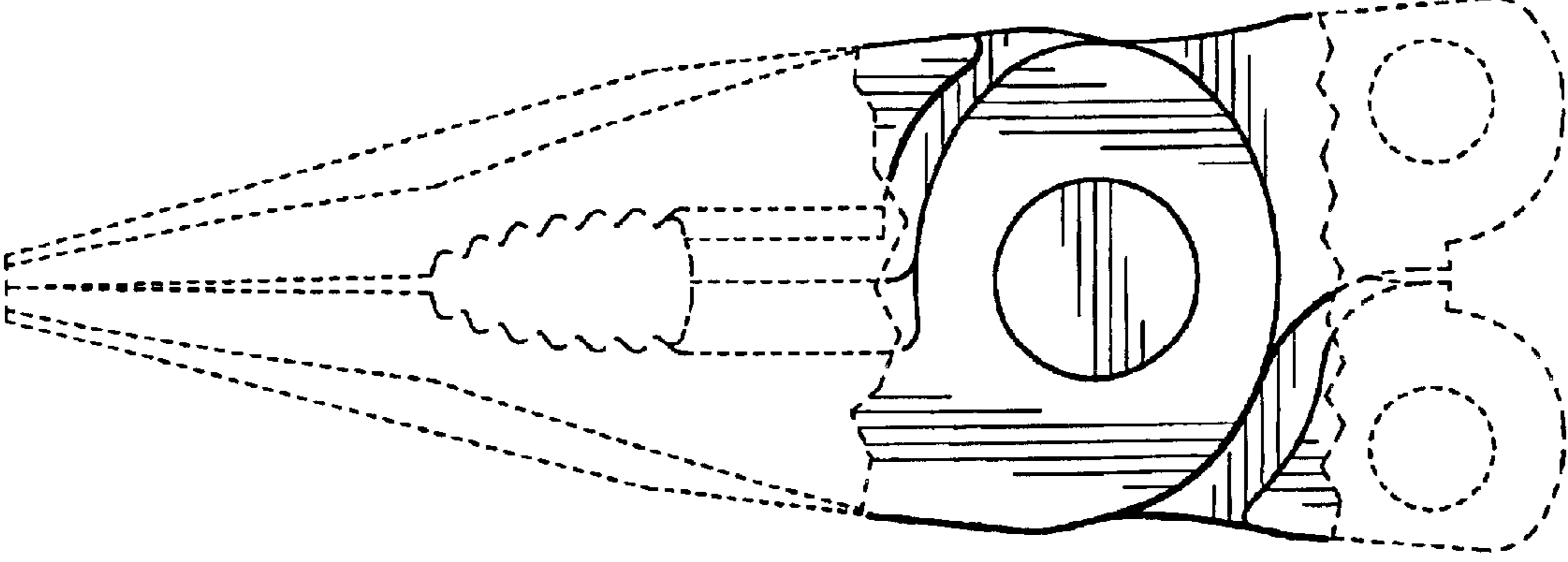


FIG. 6