



US00D499612S

(12) **United States Design Patent**
Smith, Sr.

(10) **Patent No.:** **US D499,612 S**

(45) **Date of Patent:** **** Dec. 14, 2004**

(54) **COOLER WITH SOUND SYSTEM**

(76) **Inventor:** **Stephen J. Smith, Sr.**, 3511 Peacock Ave., Lake Placid, FL (US) 33852

(**) **Term:** **14 Years**

(21) **Appl. No.:** **29/189,919**

(22) **Filed:** **Sep. 13, 2003**

(51) **LOC (7) Cl.** **07-01**

(52) **U.S. Cl.** **D7/605; D14/168**

(58) **Field of Search** **D7/605-608; D14/168, D14/188; 62/457.1-457.7, 371, 372; 220/592.2, 592.03, 592.24, 592.25, 915.1, 915.2**

(56) **References Cited**

U.S. PATENT DOCUMENTS

4,571,740 A *	2/1986	Kirby et al.	62/457.1
4,817,191 A *	3/1989	Adams	455/351
D305,397 S *	1/1990	Balius	D7/605
5,235,822 A *	8/1993	Leonovich, Jr.	62/457.2
D349,215 S *	8/1994	Mercado	D7/605
D354,292 S *	1/1995	Monti	D15/80
5,379,596 A	1/1995	Grayson	
5,781,853 A	7/1998	Johnson	

5,979,175 A 11/1999 Ellison
6,305,185 B1 10/2001 Sloan
D449,967 S * 11/2001 Moffett et al. D7/605

* cited by examiner

Primary Examiner—Terry A. Wallace

(57) **CLAIM**

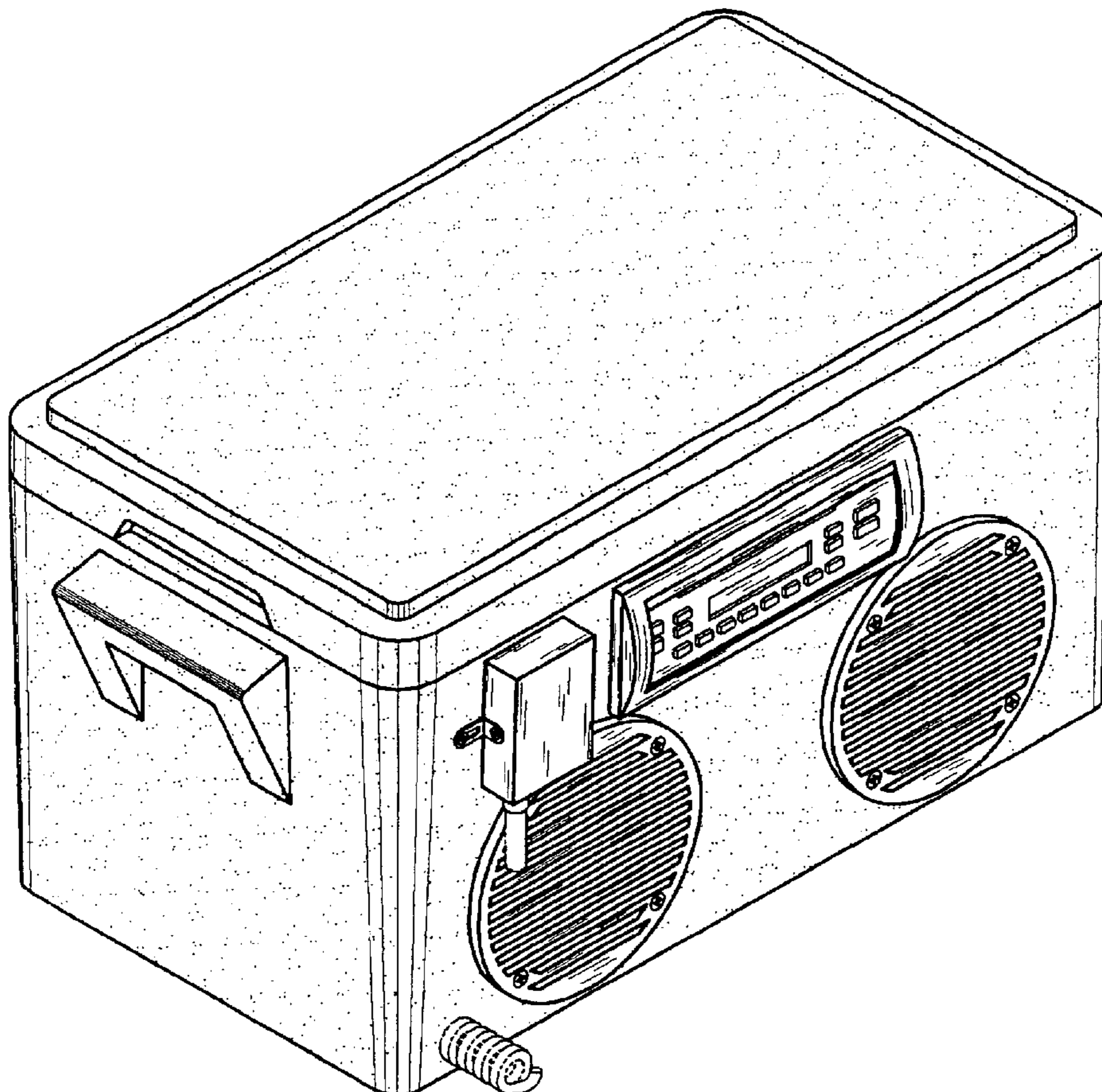
The ornamental design for a cooler with sound system, as shown and described.

DESCRIPTION

FIG. 1 is a front elevational view of a cooler with sound system showing my new design;
FIG. 2 is a rear elevational view thereof;
FIG. 3 is a side view, taken from the left side of FIG. 1;
FIG. 4 is a side view, taken from the right side of FIG. 1;
FIG. 5 is a top plan view thereof;
FIG. 6 is a bottom plan view thereof; and,
FIG. 7 is a perspective view thereof.

The dotted lines showing a portion of a power cord and a portion of an antenna coupling in FIGS. 1 and 3-6 is for illustrative purposes only and forms no part of my claimed design.

1 Claim, 4 Drawing Sheets



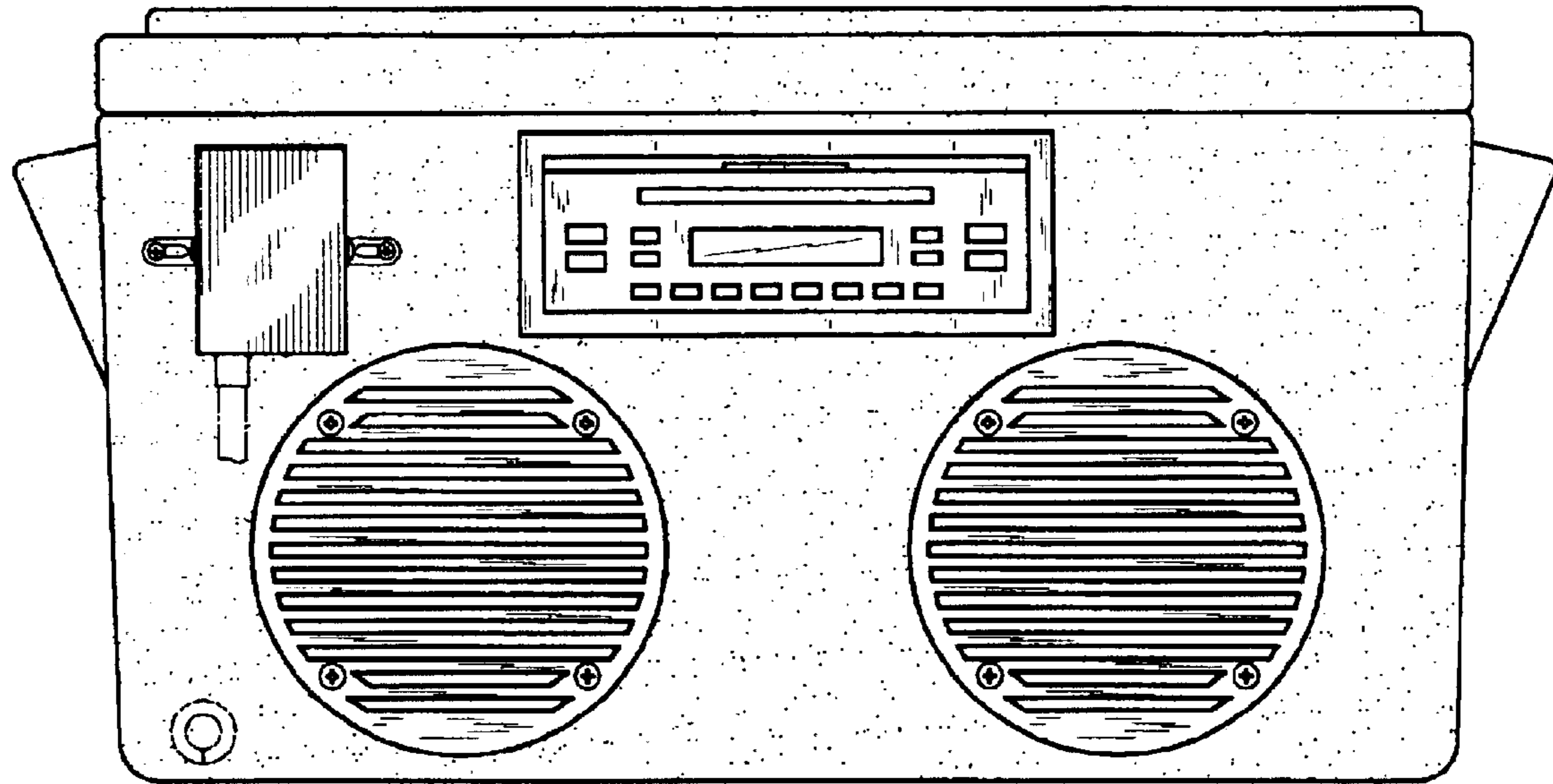


FIG. 1

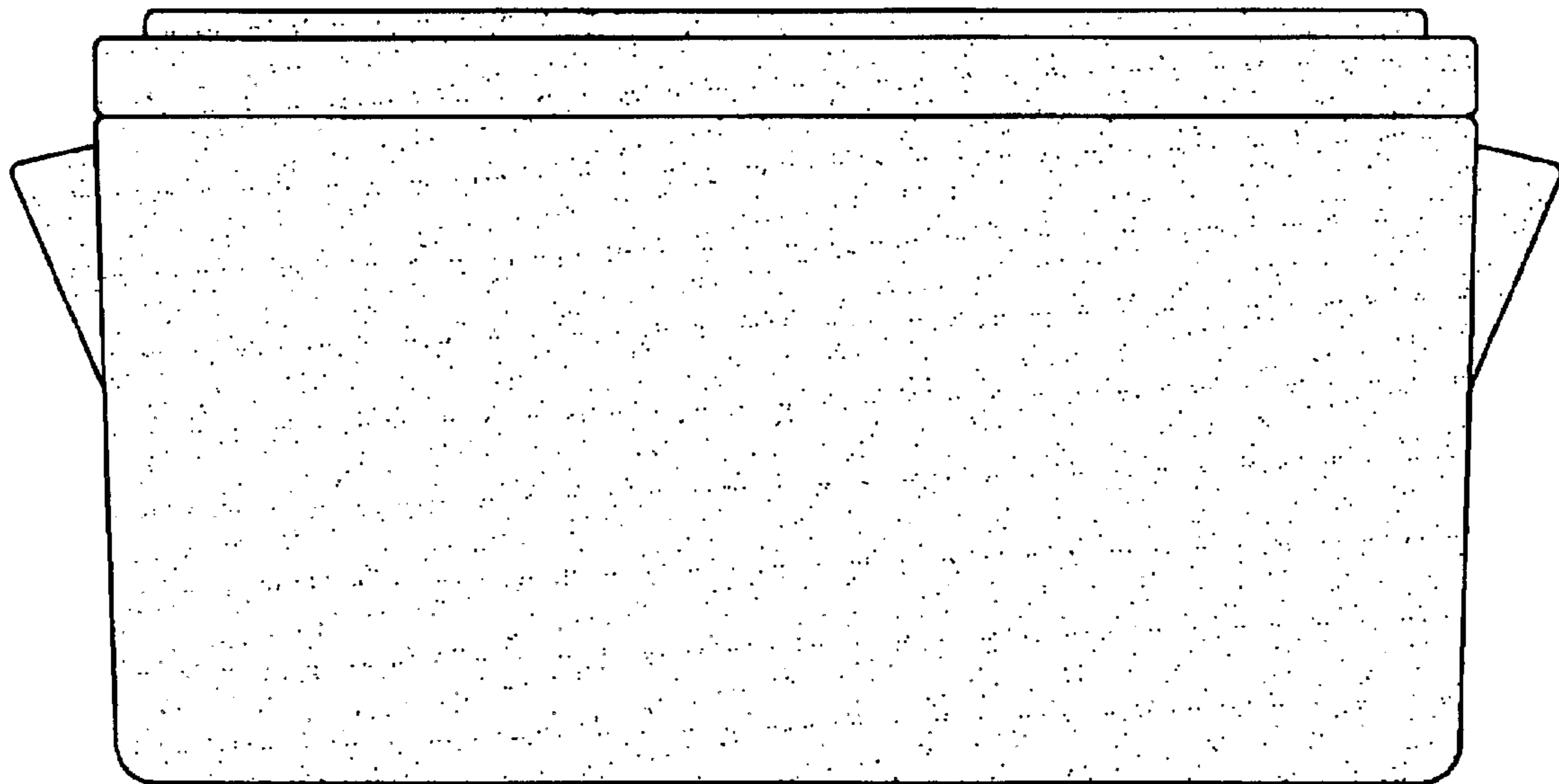


FIG. 2

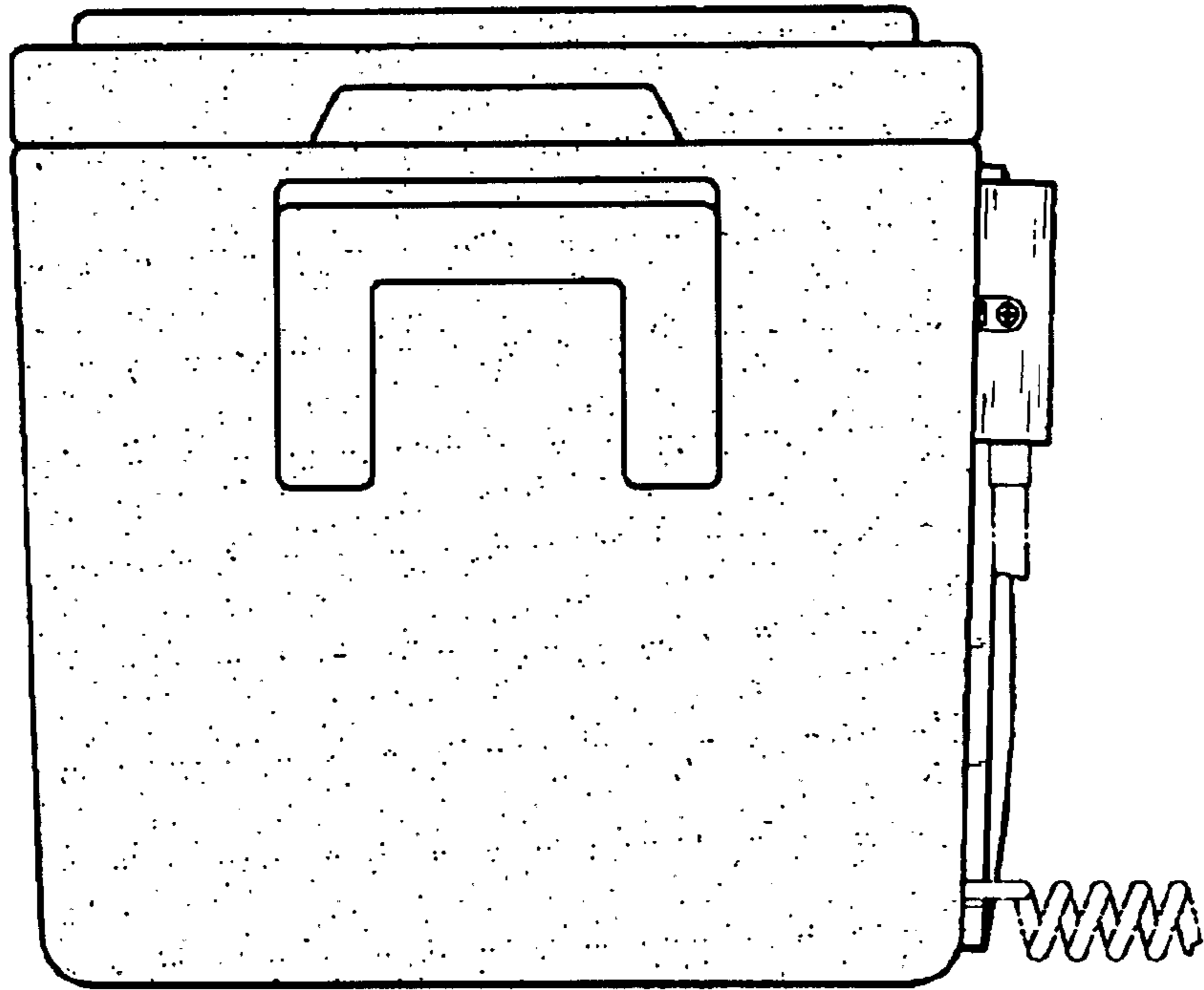


FIG. 3

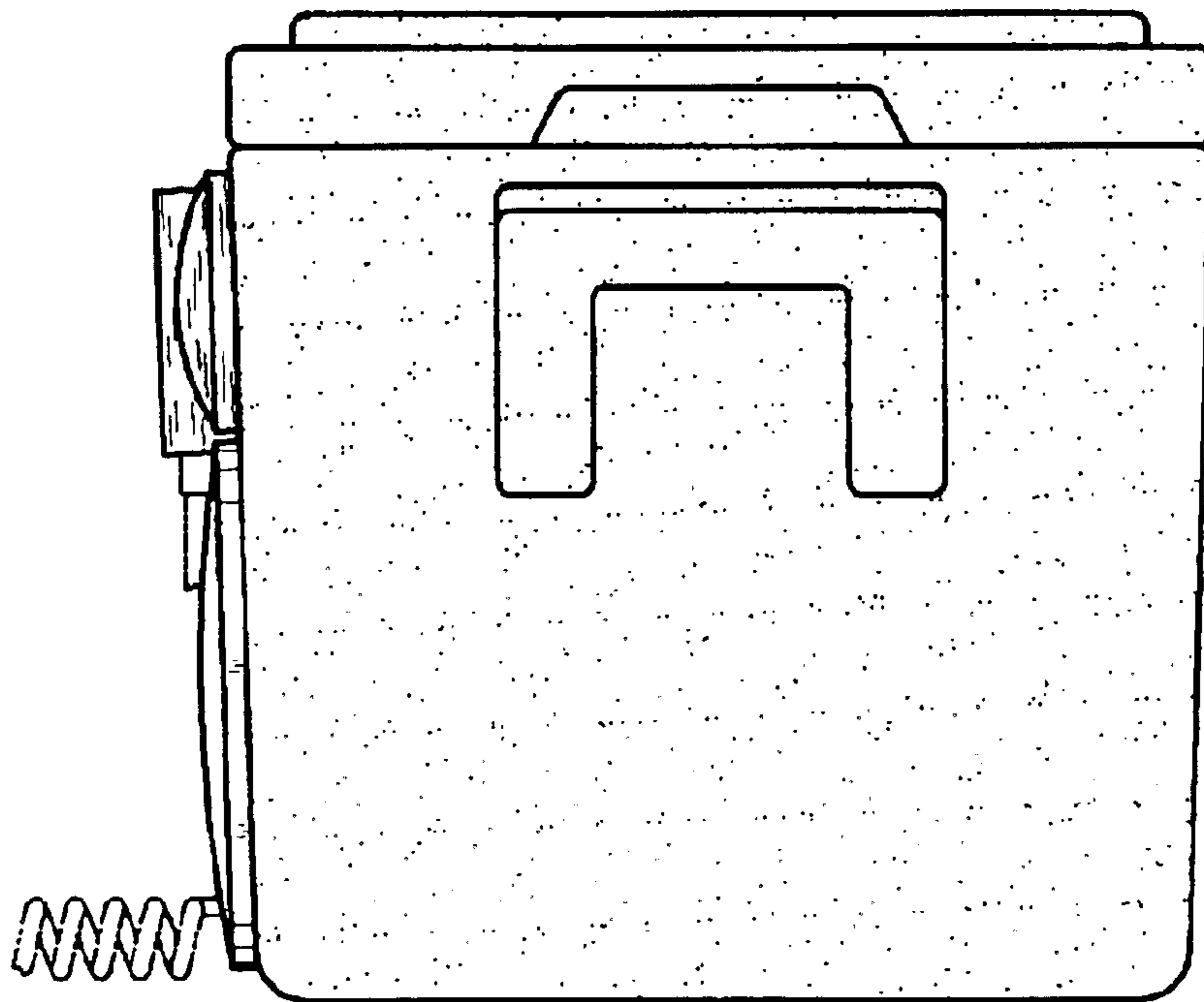


FIG. 4

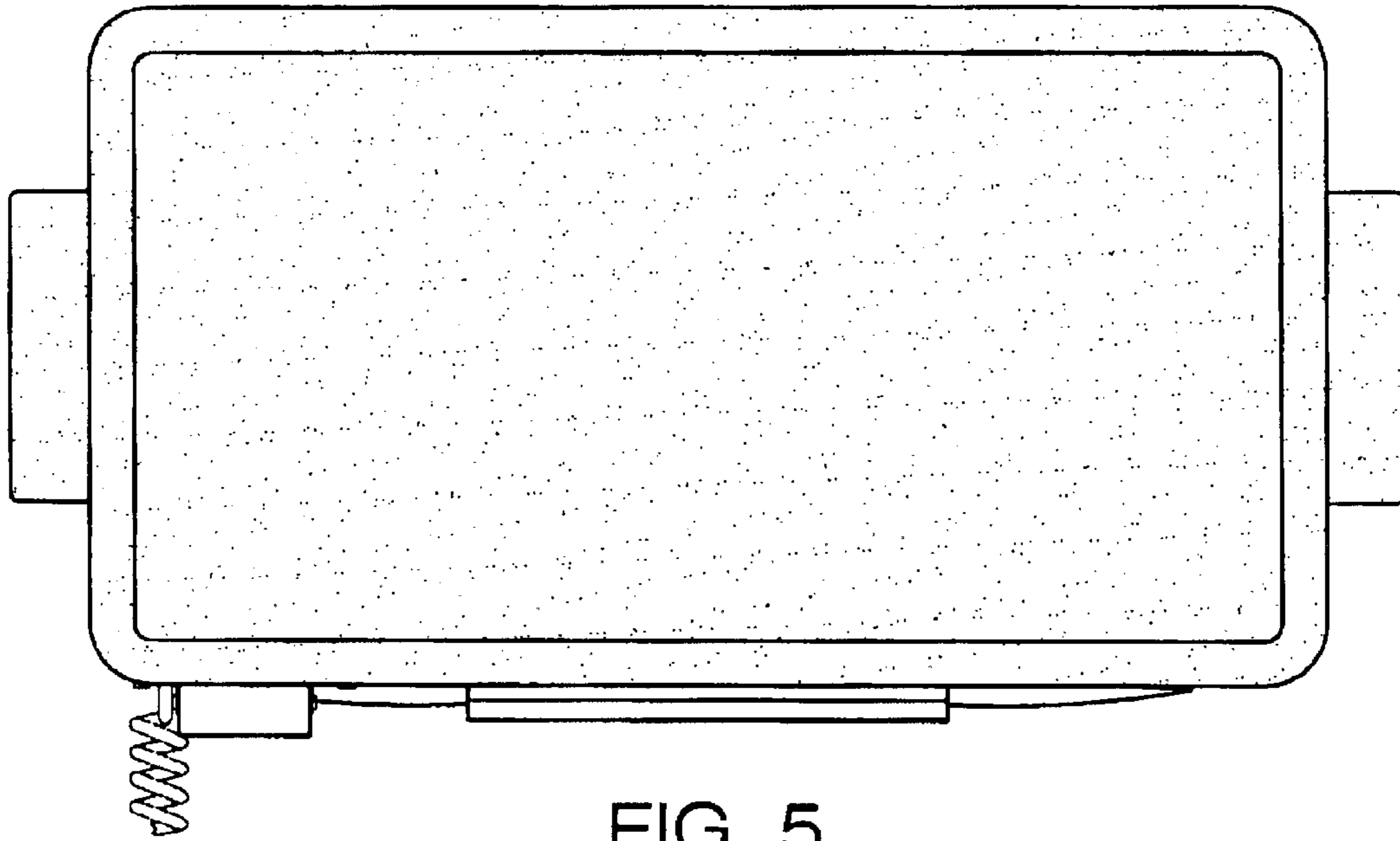


FIG. 5

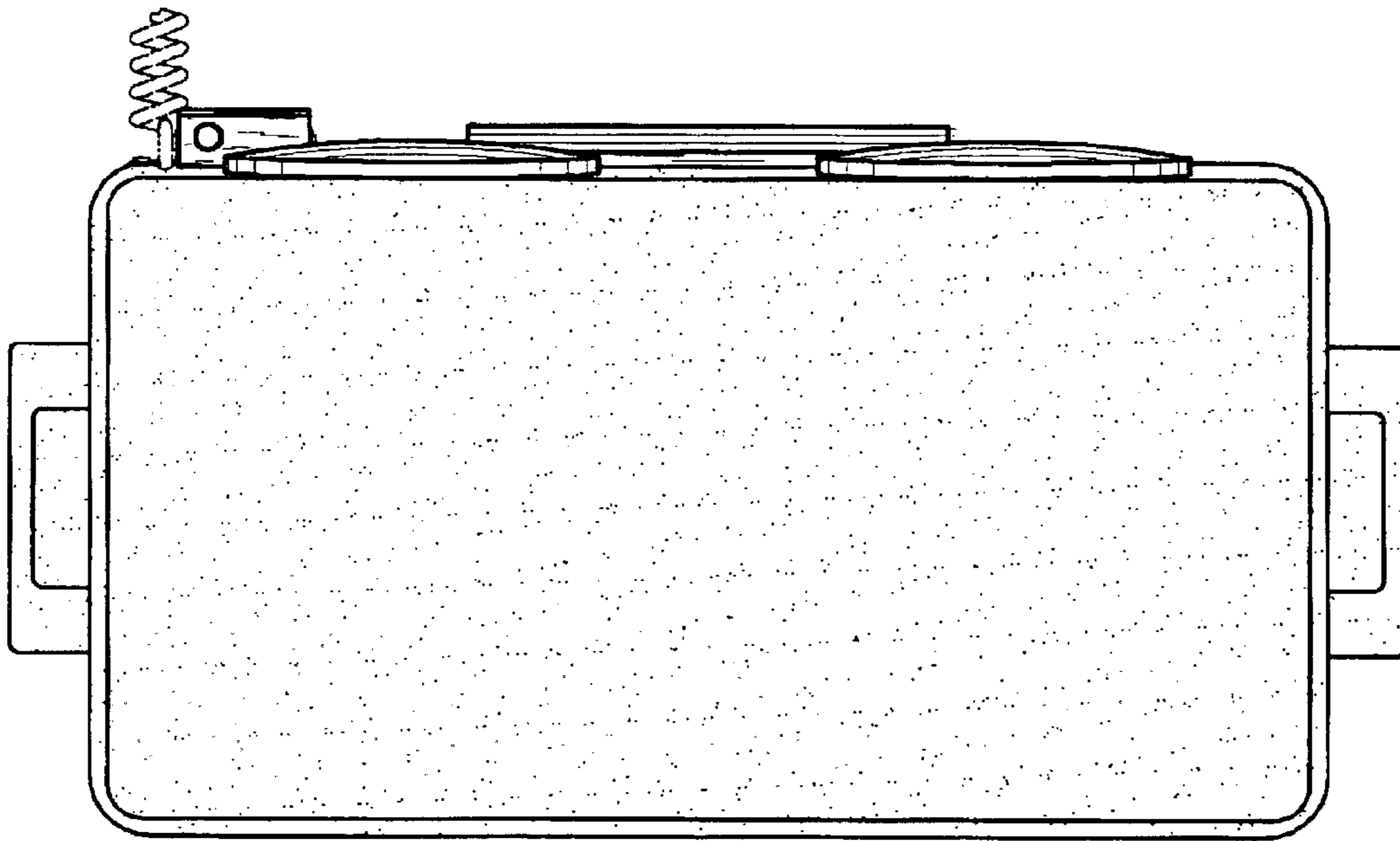


FIG. 6

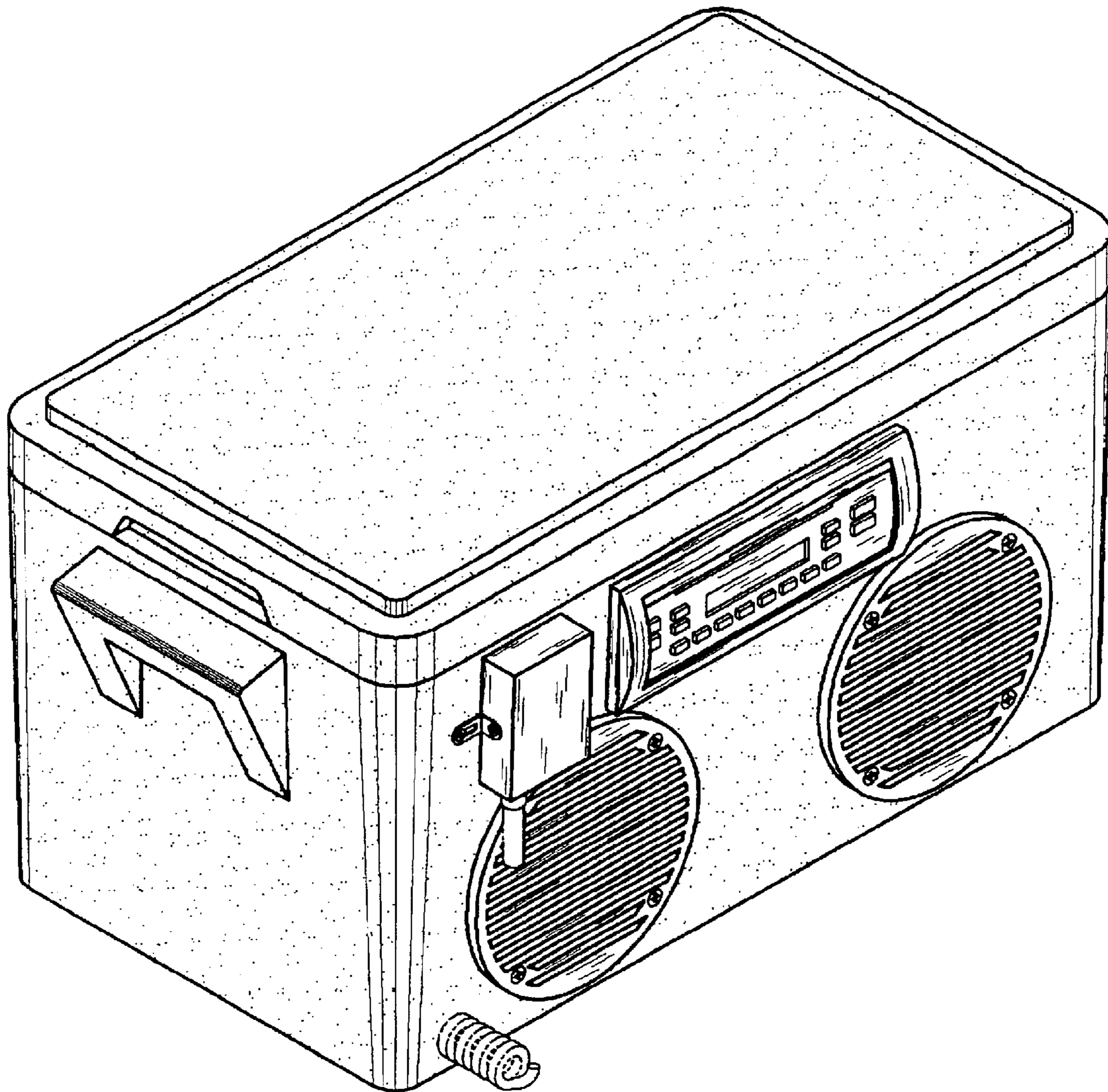


FIG. 7