

US00D499611S

(12) **United States Design Patent** (10) **Patent No.:** **US D499,611 S**
Tse (45) **Date of Patent:** **** Dec. 14, 2004**

(54) **CEREAL DISPENSER**

(75) Inventor: **Shu Tse, Kowloon (CN)**

(73) Assignee: **Chekiang Metalware Factory
Company Limited, Kowloon (CN)**

(**) Term: **14 Years**

(21) Appl. No.: **29/188,650**

(22) Filed: **Aug. 21, 2003**

(30) **Foreign Application Priority Data**

Mar. 3, 2003 (HK) 0310333

(51) **LOC (7) Cl.** **07-02**

(52) **U.S. Cl.** **D7/589**

(58) **Field of Search** D7/589, 590, 309-312;
222/173, 174, 185.1, 251, 282, 288, 368,
424.5, 425, 434, 630

(56) **References Cited**

U.S. PATENT DOCUMENTS

D286,362 S * 10/1986 Lair D7/589
RE33,083 E * 10/1989 Pellegrino 222/288

D384,863 S * 10/1997 Danemayer D7/589
5,833,097 A * 11/1998 Ruth 222/368
5,947,336 A * 9/1999 Thompson 222/368
D467,465 S * 12/2002 Apelboim et al. D7/589
D467,466 S * 12/2002 Apelboim et al. D7/589
D476,855 S * 7/2003 Green D7/589

* cited by examiner

Primary Examiner—Terry A. Wallace

(74) *Attorney, Agent, or Firm*—Alix, Yale & Ristas, LLP

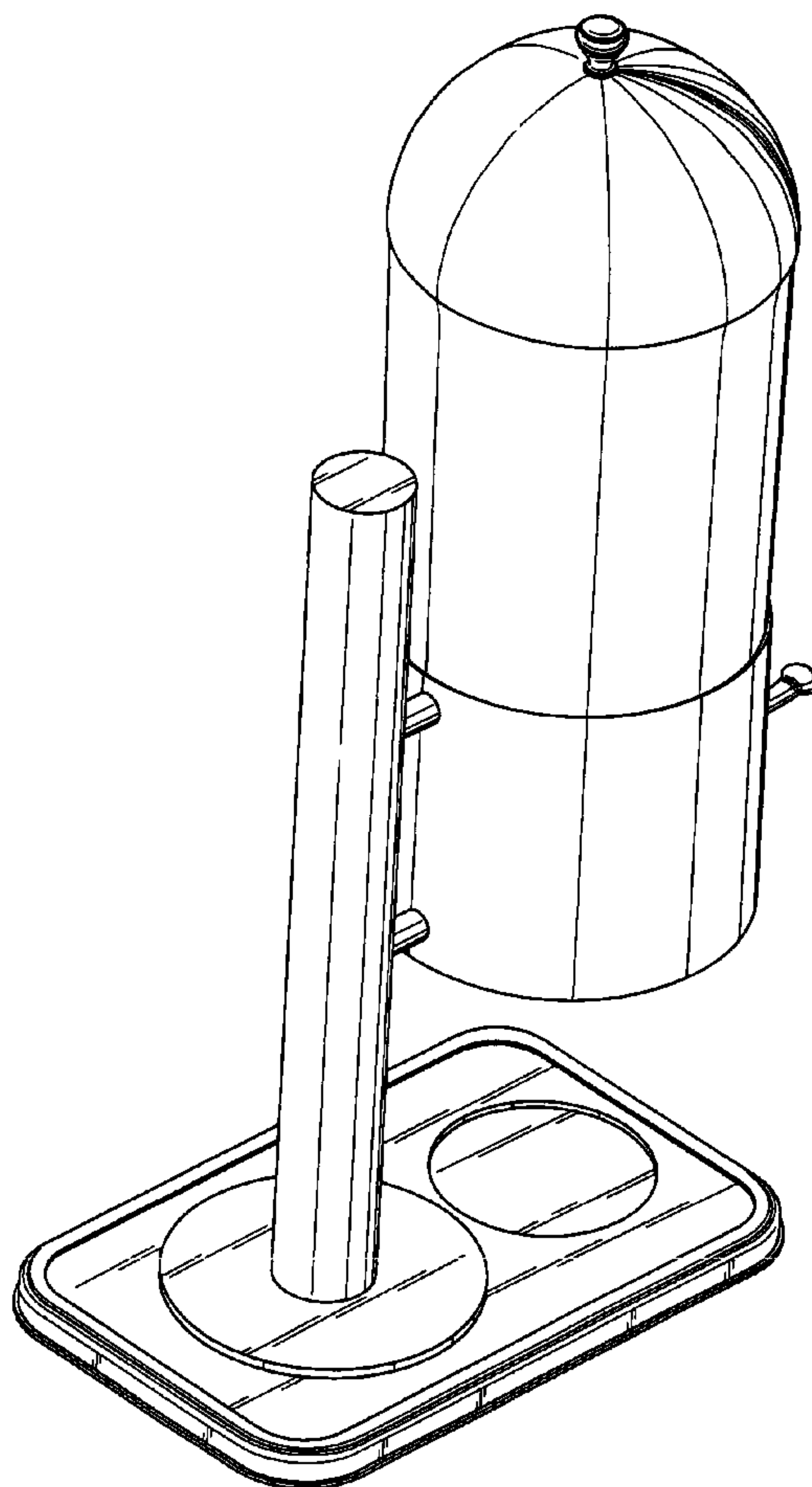
(57) **CLAIM**

The ornamental design for a cereal dispenser, as shown and described.

DESCRIPTION

FIG. 1 is a front perspective view of a cereal dispenser showing my new design;
FIG. 2 is a front elevational view thereof;
FIG. 3 is a rear elevational view thereof;
FIG. 4 is a left side elevational view thereof;
FIG. 5 is a right side elevational view thereof,
FIG. 6 is a top plan view thereof; and,
FIG. 7 is a bottom plan view thereof.

1 Claim, 6 Drawing Sheets



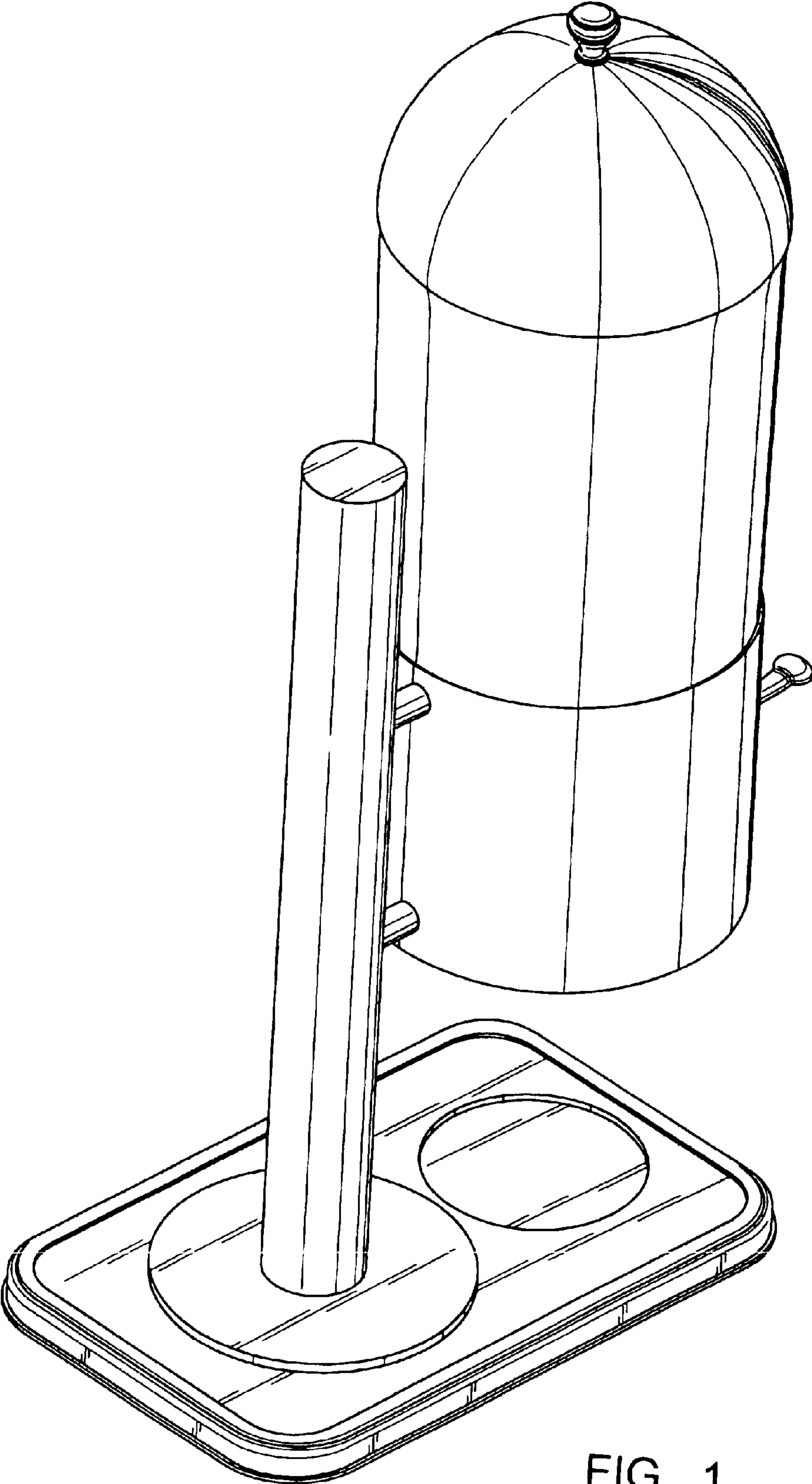


FIG. 1

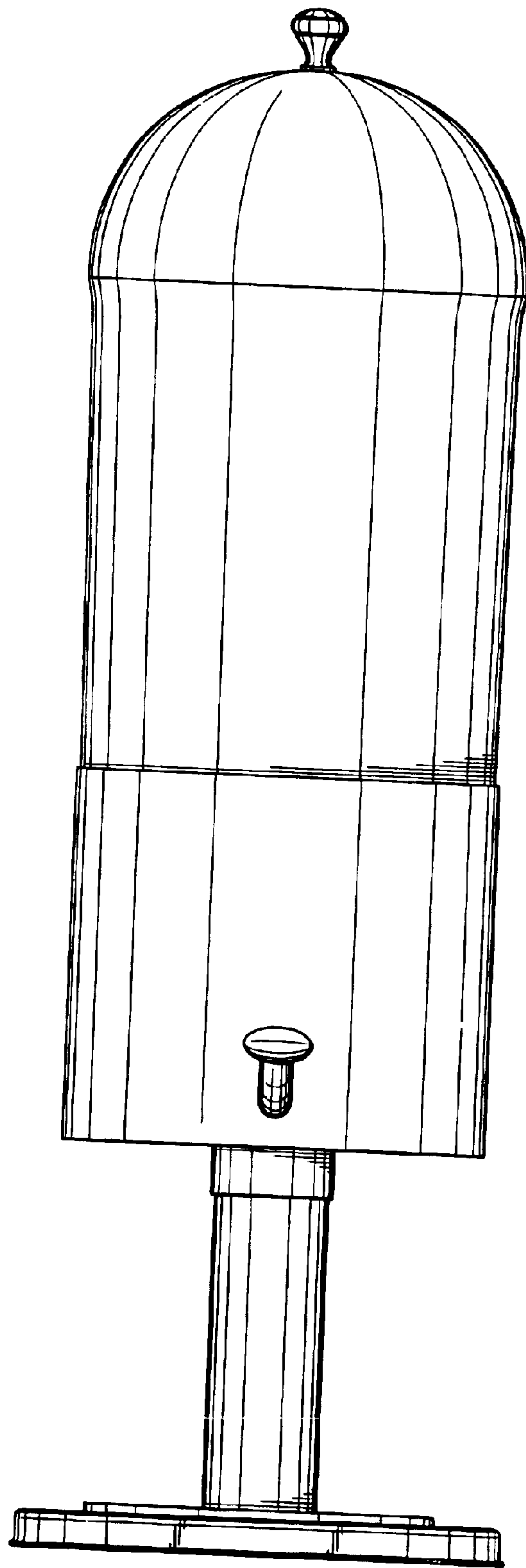


FIG. 2

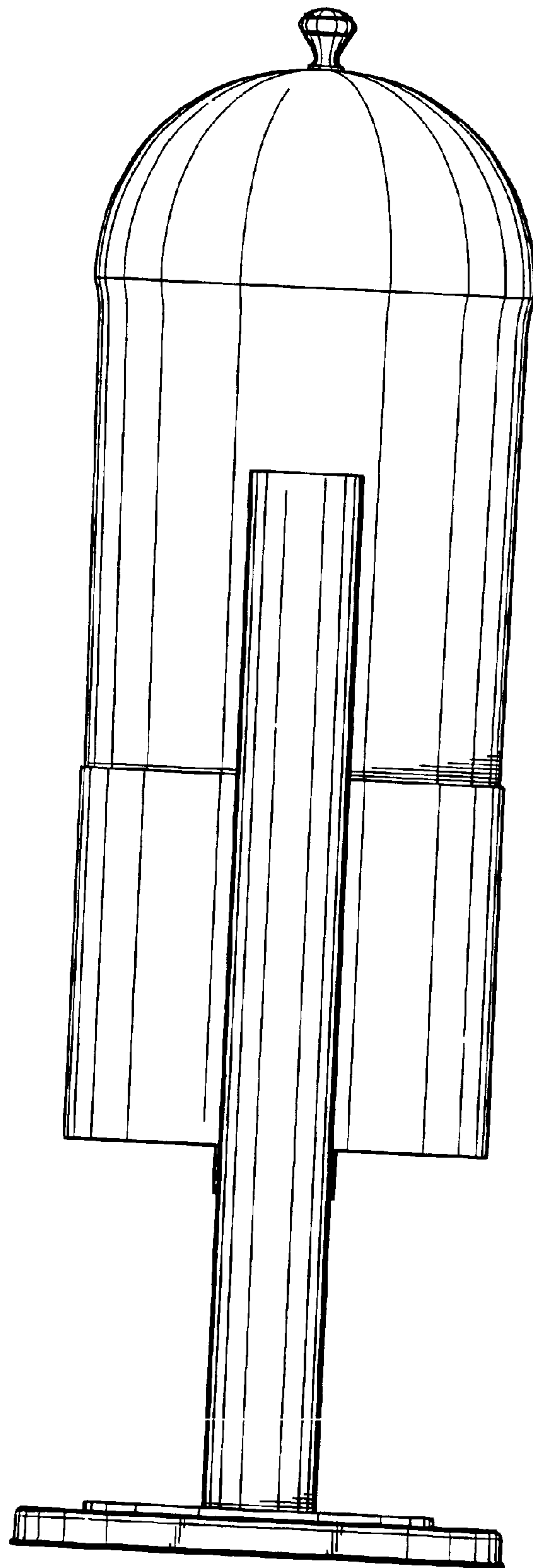


FIG. 3

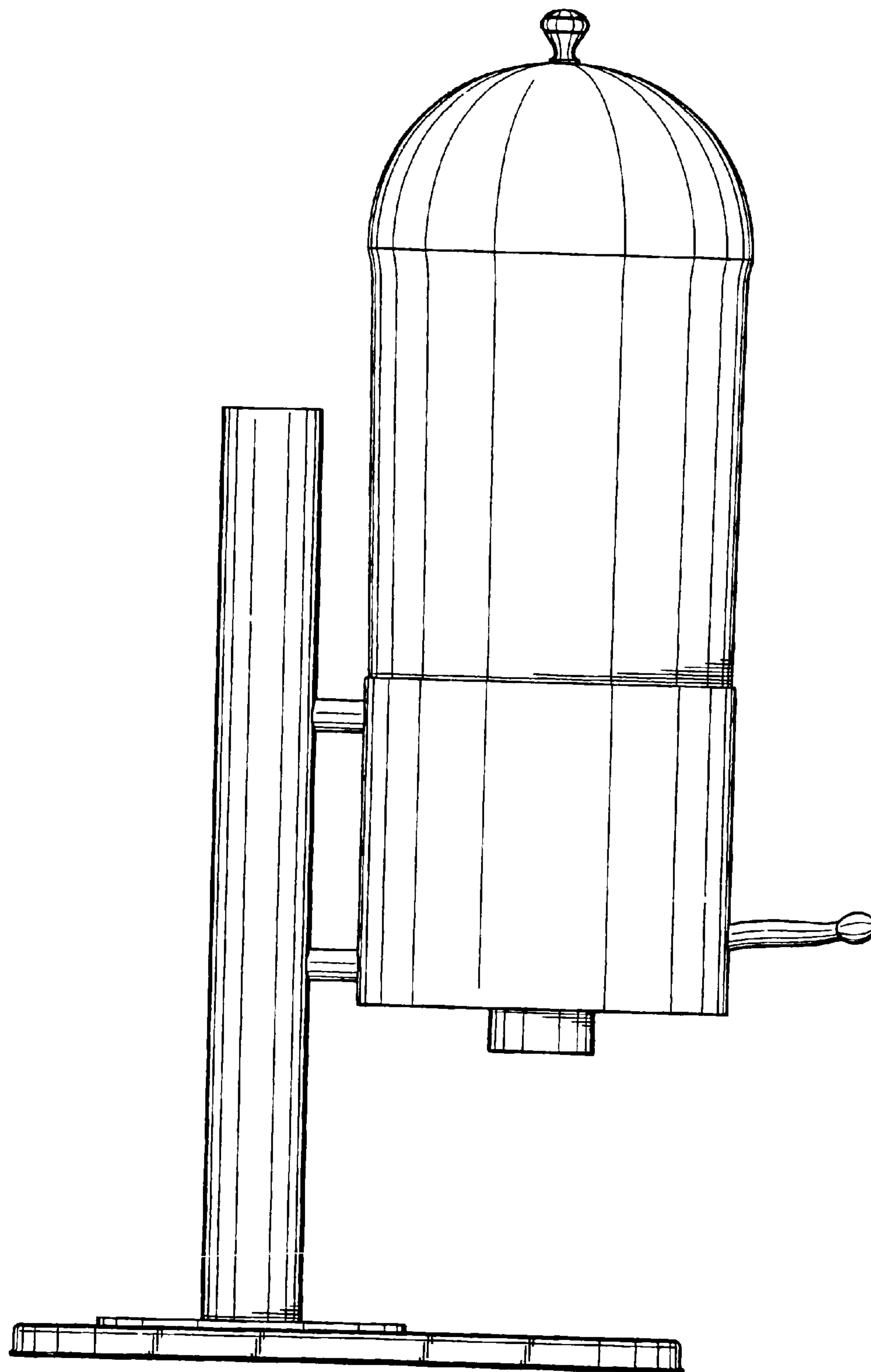


FIG. 4

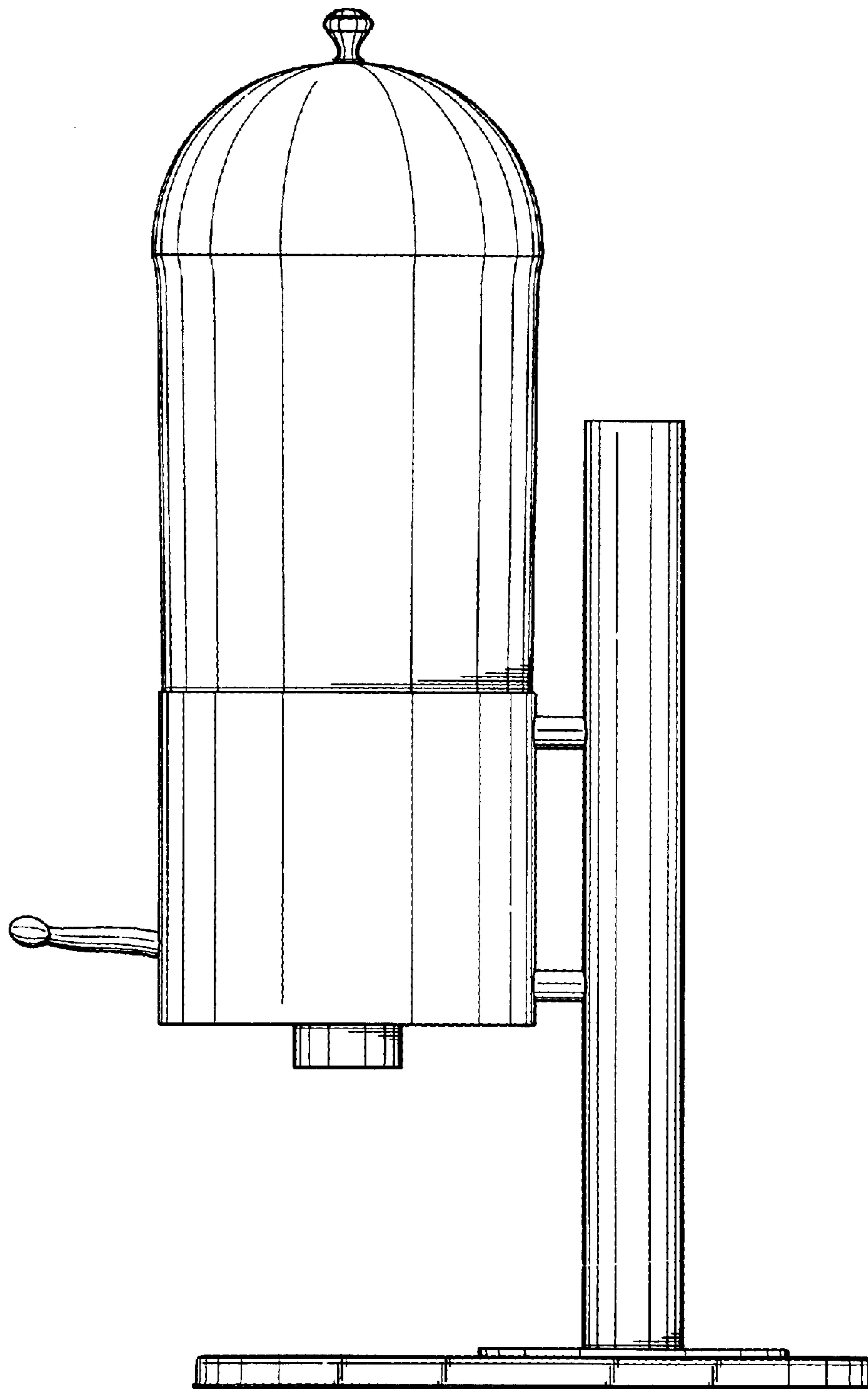


FIG. 5

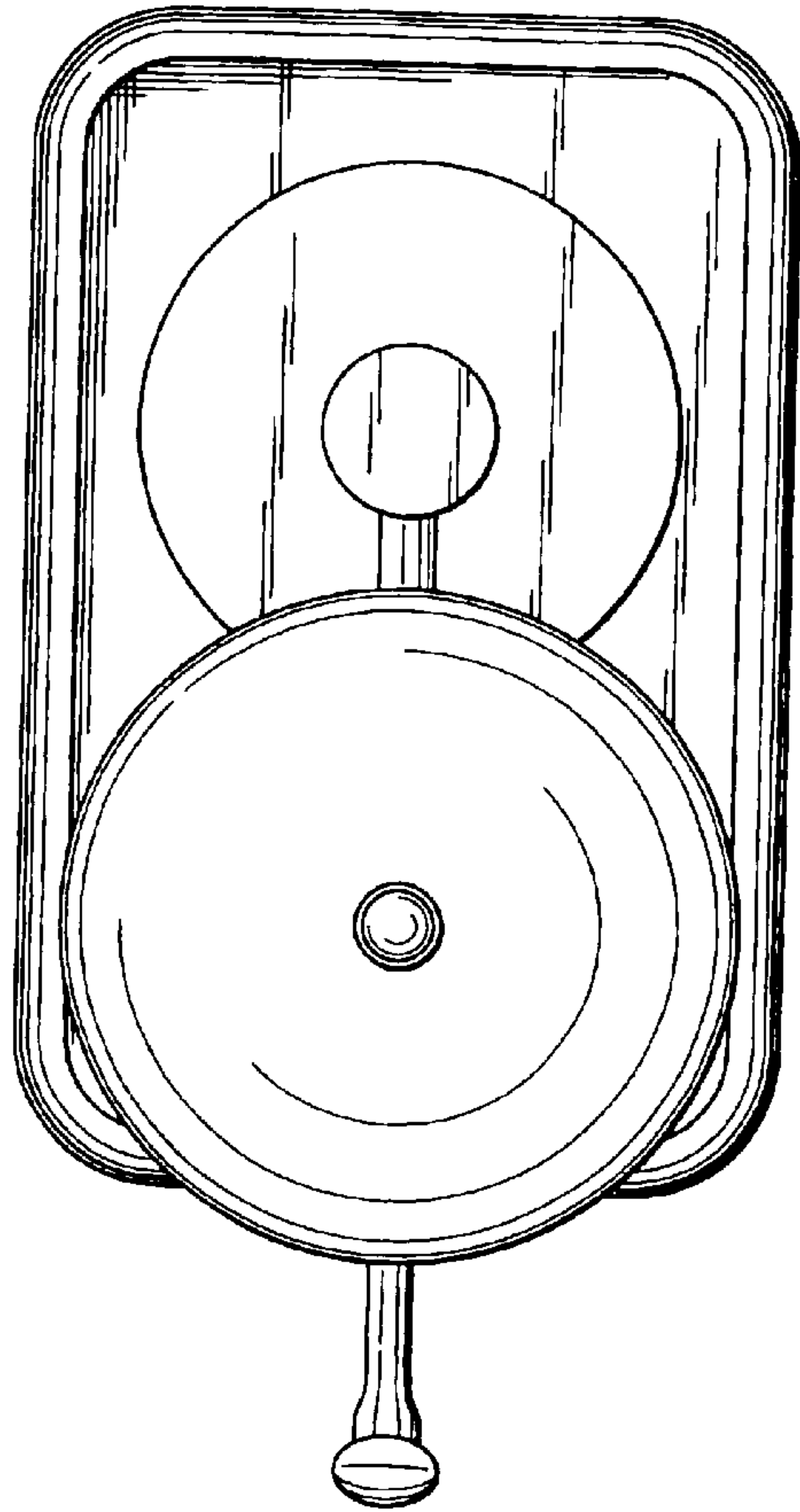


FIG. 6

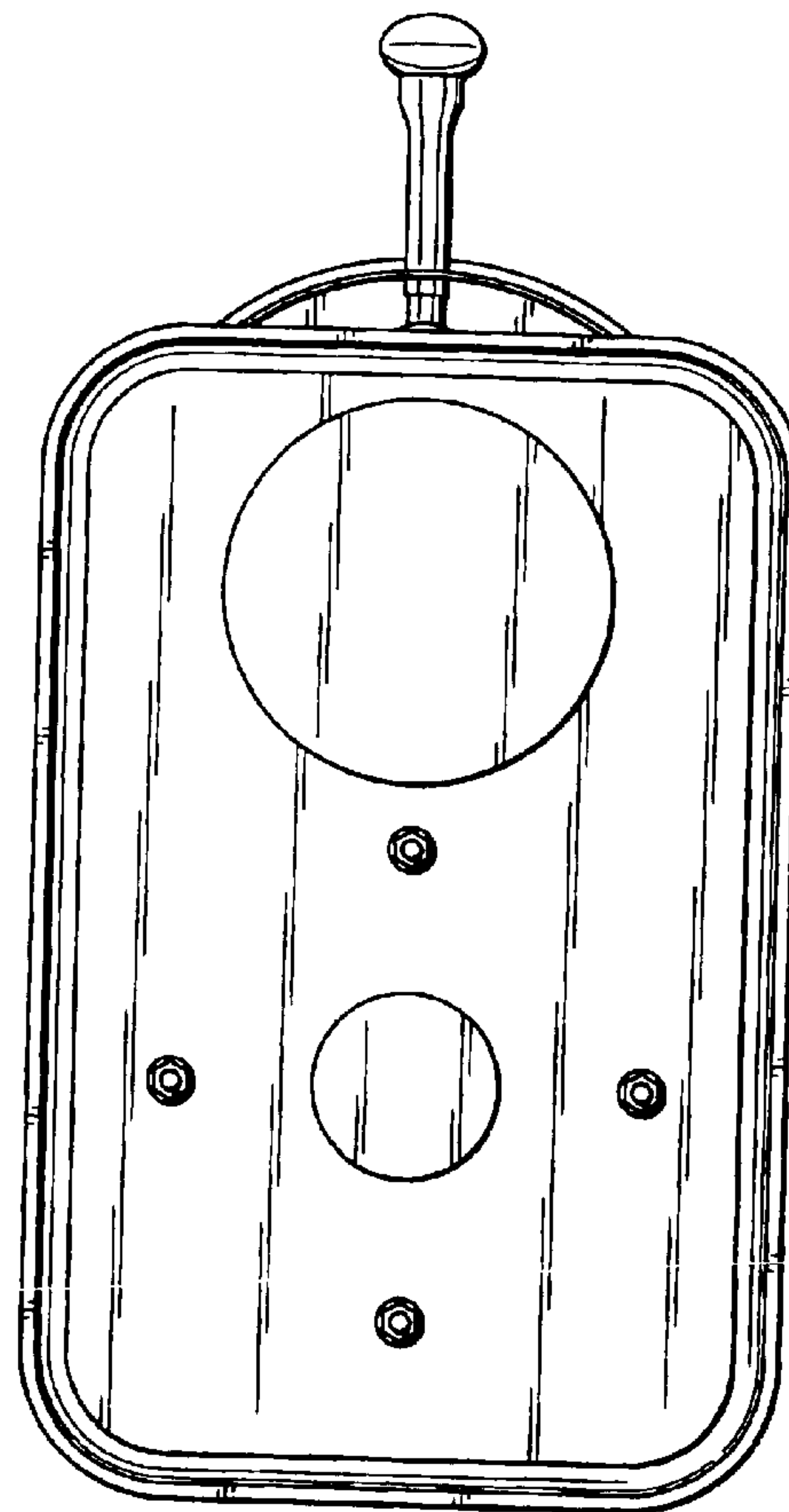


FIG. 7